



US00D708620S

(12) **United States Design Patent**
Holmes et al.

(10) **Patent No.:** **US D708,620 S**
(45) **Date of Patent:** **** Jul. 8, 2014**

(54) **CASE/COVER FOR AN ELECTRONIC DEVICE CONSTRUCTED WITH HOOK AND LOOP ACCEPTING MATERIALS**

(75) Inventors: **Scott D. Holmes**, Vail, AZ (US); **Trevor S. DeJong**, Tucson, AZ (US); **Emma L. Lee**, Tucson, AZ (US)

(73) Assignee: **Mighty Pouch**, Vail, AZ (US)

(**) Term: **14 Years**

(21) Appl. No.: **29/413,746**

(22) Filed: **Feb. 20, 2012**

(51) **LOC (10) Cl.** **14-02**

(52) **U.S. Cl.**
USPC **D14/440**

(58) **Field of Classification Search**
USPC D14/250, 251, 253, 240, 217, 496, 440,
D14/203.3, 203.4, 203.5, 203.8, 341, 318;
D3/218, 215, 201; 220/4.02;
248/309.1; 361/679.56; 379/426,
379/433.11, 455; 455/575.1, 575.8;
190/100; 206/305, 320; D21/469
See application file for complete search history.

(56) **References Cited**

U.S. PATENT DOCUMENTS

7,542,052 B2 * 6/2009 Solomon et al. 345/659
8,016,107 B2 * 9/2011 Emsky 206/320
8,132,670 B1 * 3/2012 Chen 206/320

D676,050 S * 2/2013 Sanz D14/440
D676,851 S * 2/2013 Finnegan et al. D14/440
D677,891 S * 3/2013 Janus D3/289
D680,546 S * 4/2013 Tang et al. D14/440
D681,616 S * 5/2013 Weller et al. D14/250
D682,541 S * 5/2013 Phillips et al. D3/218
D682,550 S * 5/2013 Chun D3/294
2010/0289390 A1 * 11/2010 Kenney 312/223.1
2012/0170212 A1 * 7/2012 Gallouzi et al. 361/679.56

* cited by examiner

Primary Examiner — Cynthia Underwood

(57) **CLAIM**

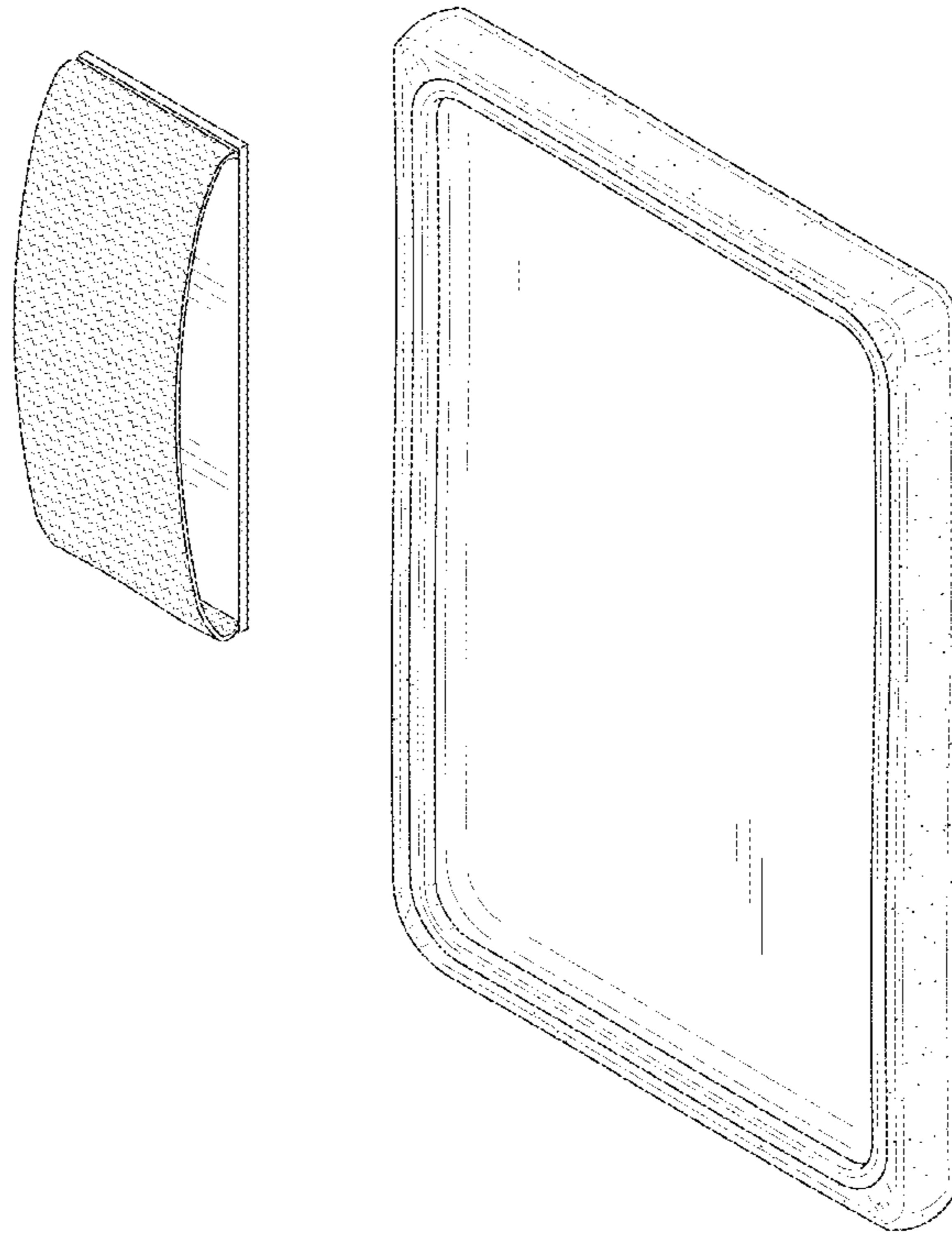
The ornamental design for a case/cover for an electronic device constructed with hook and loop accepting materials, as shown and described.

DESCRIPTION

FIG. 1 is a perspective view of a case/cover for an electronic device constructed with hook and loop accepting materials showing my new design; wherein FIG. 1 shows a front side of the case/cover and a backside of an attachable component; FIG. 2 is a front view thereof; FIG. 3 is a back view thereof; FIG. 4 is a side view (opposite side view is mirror image) thereof; and, FIG. 5 is a top view (the bottom view is a mirror image) thereof.

The broken lines are included for environmental purposes and form no part of the claimed design.
A dotted surface of the case/cover, wherein the dotted surface represents a textured fabric.

1 Claim, 5 Drawing Sheets



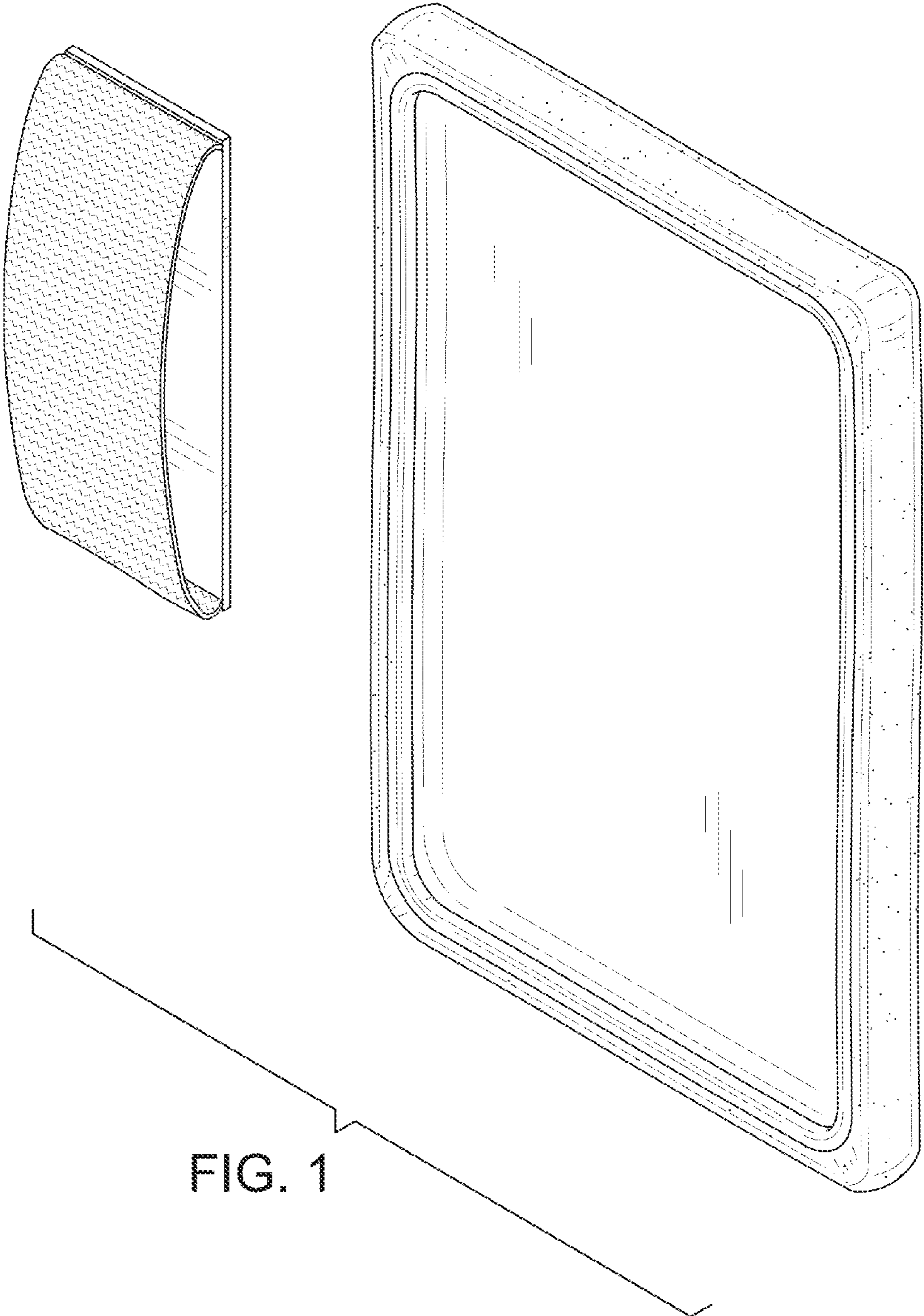


FIG. 1

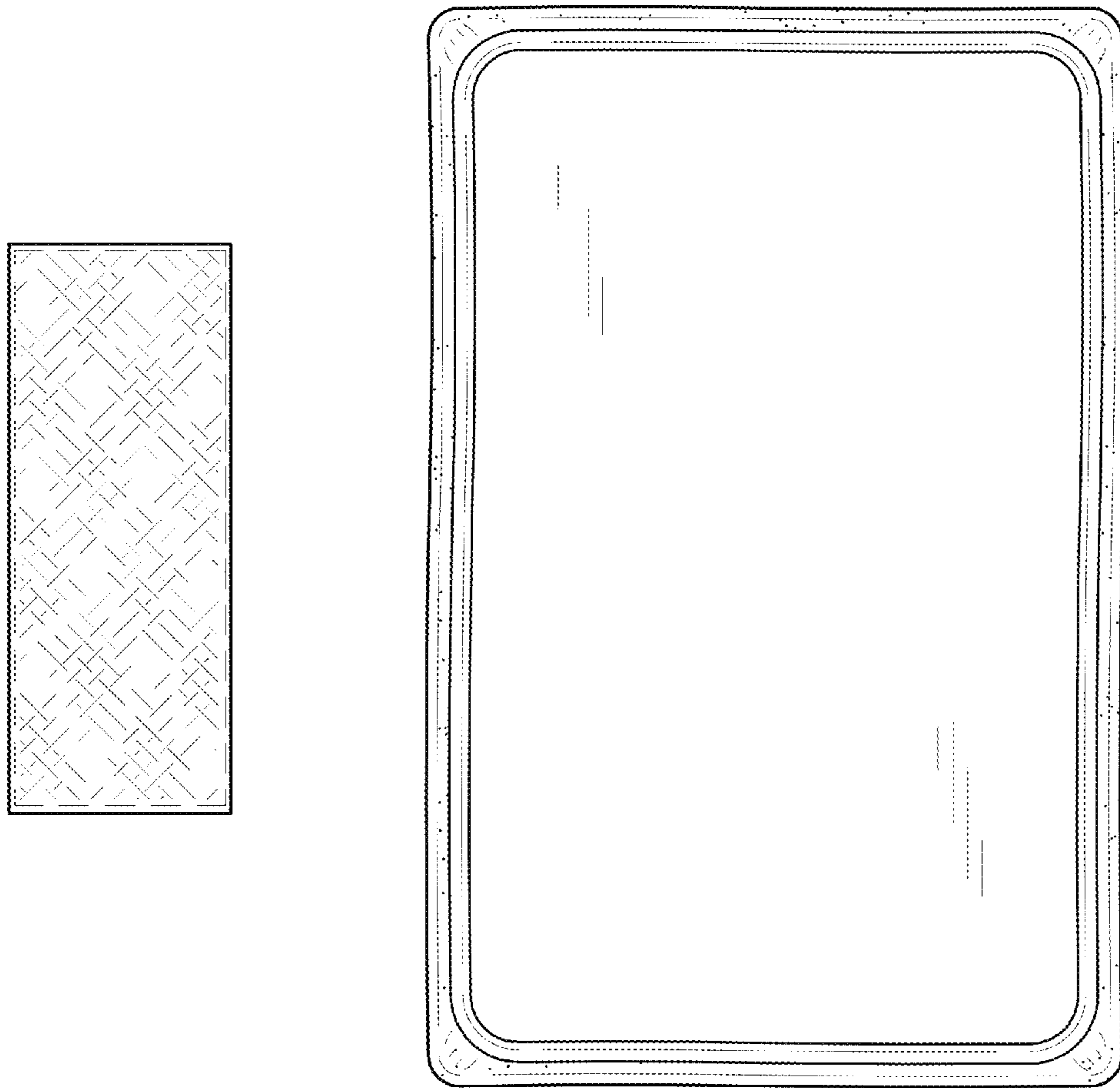


FIG. 2

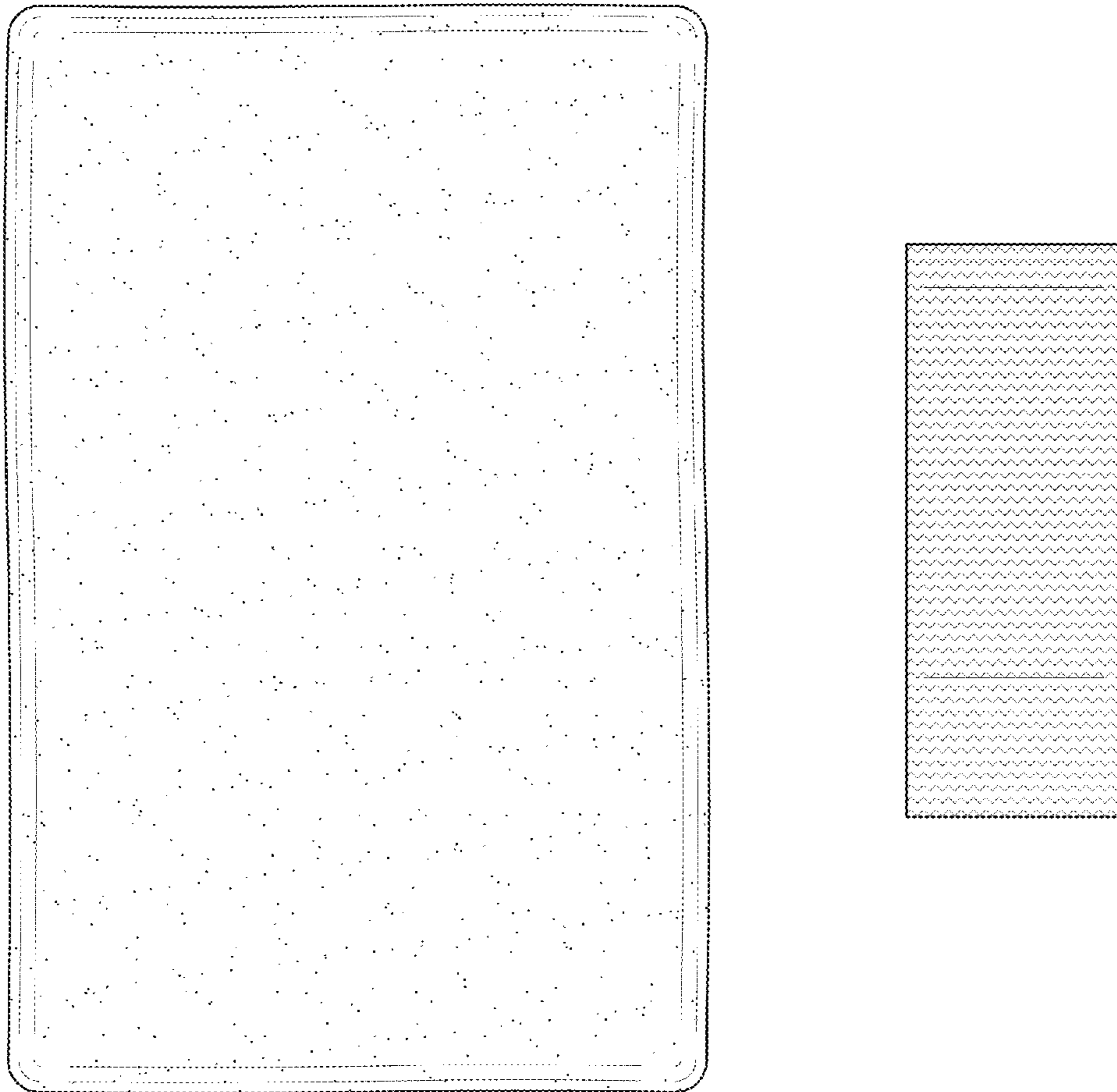


FIG. 3

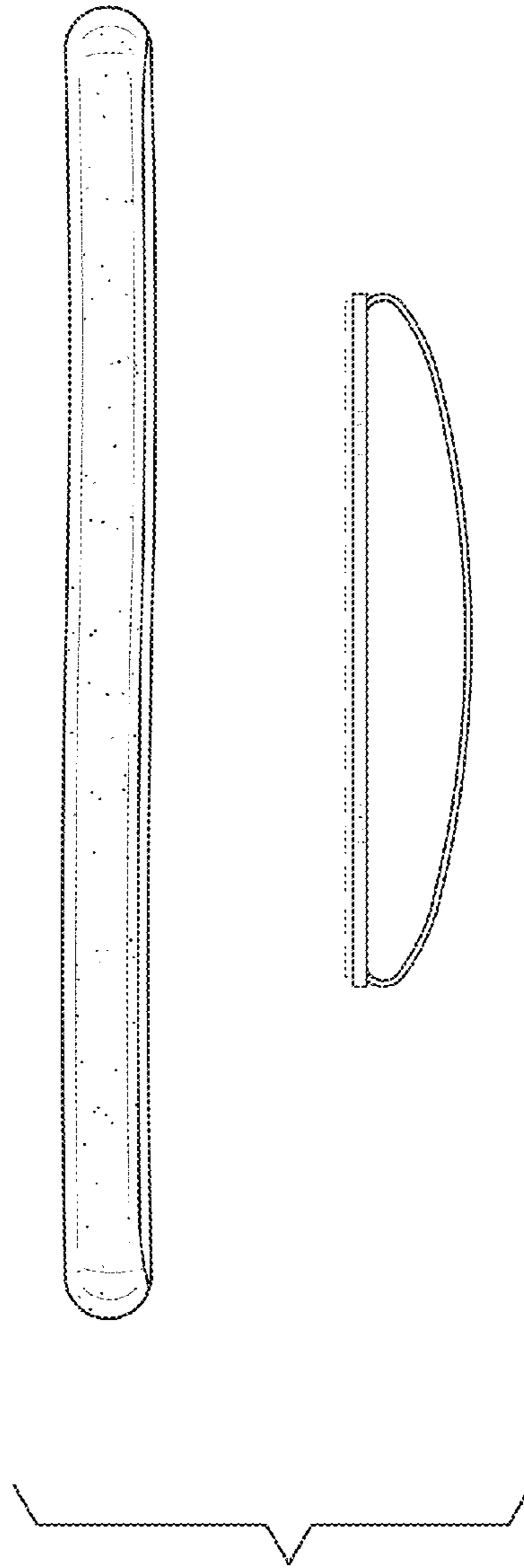


FIG. 4

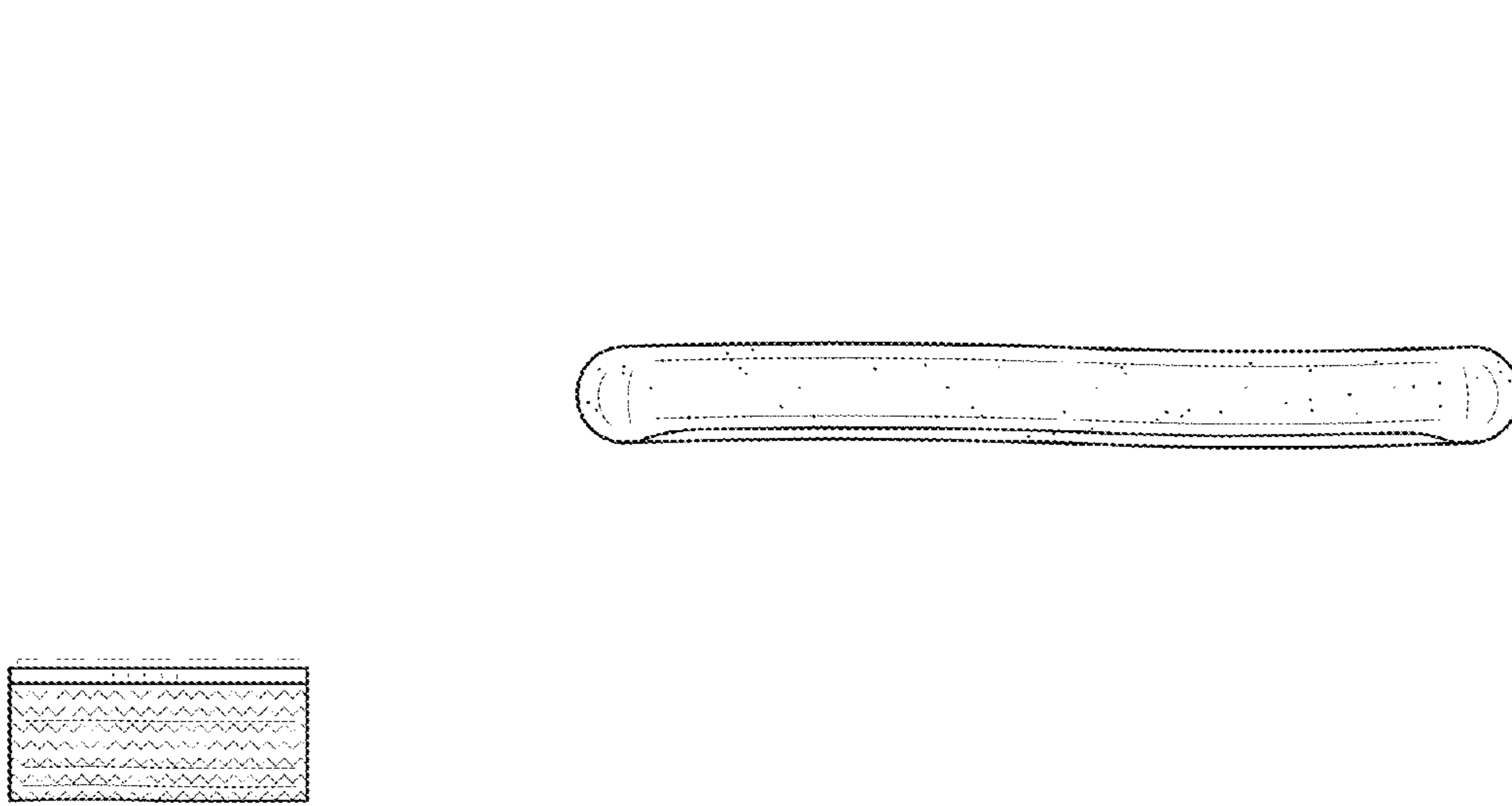


FIG. 5