

US00D708619S

(12) **United States Design Patent**  
**Sogabe**

(10) **Patent No.:** **US D708,619 S**  
(45) **Date of Patent:** **\*\* Jul. 8, 2014**

(54) **STAND FOR ELECTRONIC DEVICE**

D660,304 S \* 5/2012 Vroom et al. .... D14/434  
D680,541 S \* 4/2013 Lee et al. .... D14/434  
D685,797 S \* 7/2013 Fahrendorff et al. .... D14/434  
D687,437 S \* 8/2013 Hagenauer ..... D14/434

(71) Applicant: **Sony Computer Entertainment, Inc.,**  
Tokyo (JP)

(72) Inventor: **Takashi Sogabe,** Tokyo (JP)

(73) Assignee: **Sony Computer Entertainment, Inc.,**  
Tokyo (JP)

(\*\*) Term: **14 Years**

(21) Appl. No.: **29/446,512**

(22) Filed: **Feb. 25, 2013**

(30) **Foreign Application Priority Data**

Sep. 12, 2012 (JP) ..... D2012-022101

(51) **LOC (10) Cl.** ..... **14-02**

(52) **U.S. Cl.**  
USPC ..... **D14/434; D14/209.1; D21/333**

(58) **Field of Classification Search**

USPC ..... D14/217, 209.1, 432, 434, 188, 356,  
D14/439, 447, 454, 251; D8/373; D13/107,  
D13/108, 146; 248/176.1; 320/109,  
320/112-115; 361/679.4, 679.31-679.33,  
361/679.41, 679.55; 455/557, 34-351;  
710/15, 303; D21/332, 333, 324

See application file for complete search history.

(56) **References Cited**

**U.S. PATENT DOCUMENTS**

5,619,397 A \* 4/1997 Honda et al. .... 361/679.43  
5,933,812 A \* 8/1999 Meyer et al. .... 705/15  
D558,209 S \* 12/2007 Ikeda et al. .... D14/434  
D583,486 S \* 12/2008 Kelley ..... D25/122  
D585,898 S \* 2/2009 Skurdal ..... D14/434  
D594,404 S \* 6/2009 Kuo et al. .... D13/107  
7,708,240 B2 \* 5/2010 Homer et al. .... 248/130  
D631,467 S \* 1/2011 Shimizu et al. .... D14/217

**FOREIGN PATENT DOCUMENTS**

JP D1434099 S 2/2012

**OTHER PUBLICATIONS**

Office Action issued in Russian Patent Application No. 2013500676,  
dated Sep. 16, 2013.

\* cited by examiner

*Primary Examiner* — Prabhakar Deshmukh

(74) *Attorney, Agent, or Firm* — Rader, Fishman & Grauer  
PLLC

(57) **CLAIM**

The ornamental design for a stand for electronic device, as  
shown and described.

**DESCRIPTION**

FIG. 1 is a perspective view of front, top and right side of a  
stand for electronic device showing my new design;  
FIG. 2 is a perspective view of rear, top and right side thereof;  
FIG. 3 is a front view thereof;  
FIG. 4 is a rear view thereof;  
FIG. 5 is a left side view thereof;  
FIG. 6 is a right side view thereof;  
FIG. 7 is a top view thereof;  
FIG. 8 is a bottom view thereof; and,  
FIG. 9 is a perspective view showing the usage of this article  
thereof.

The portions of the article in broken lines are shown for  
illustrative purposes only and form no part of the claimed  
design.

**1 Claim, 5 Drawing Sheets**

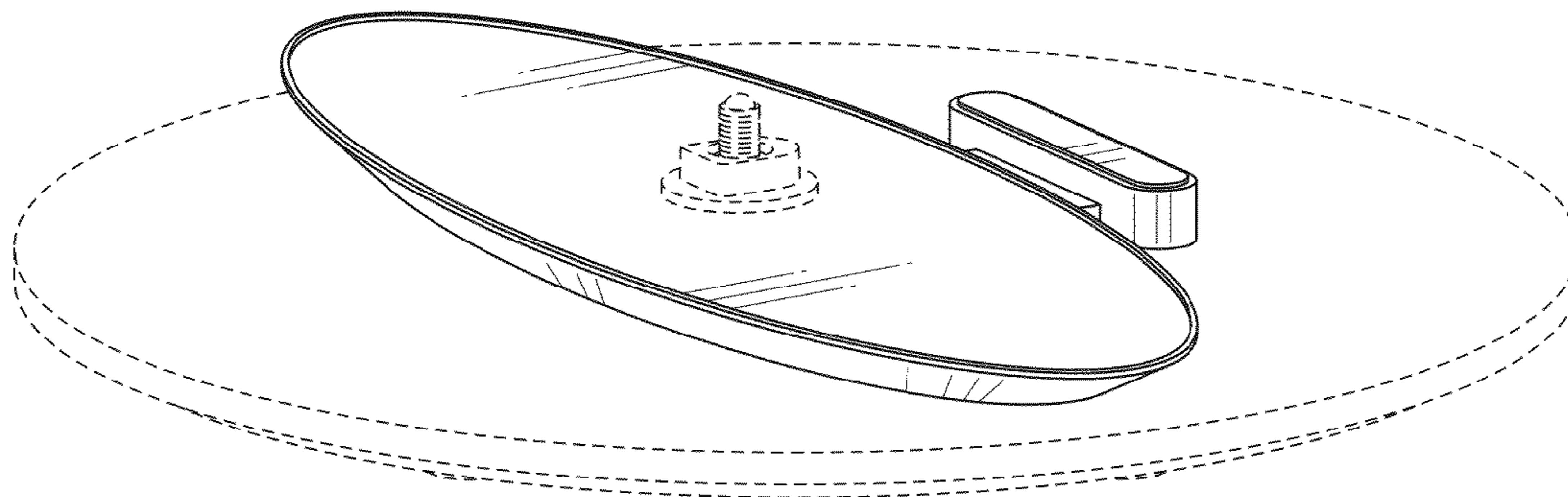


Fig. 1

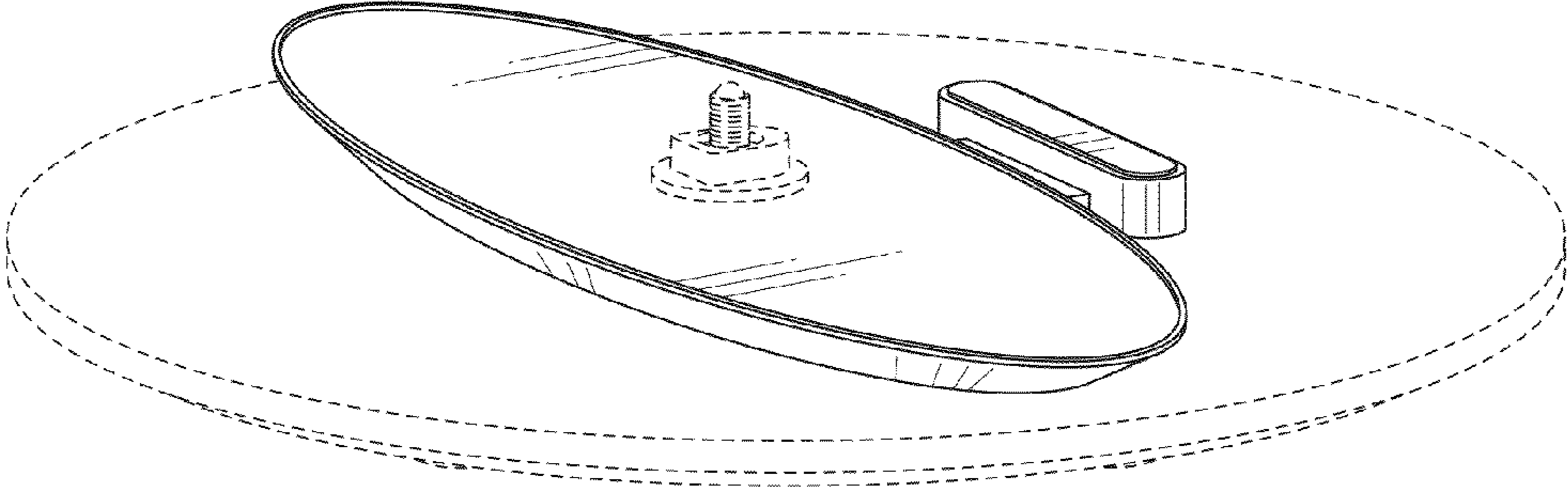


Fig. 2

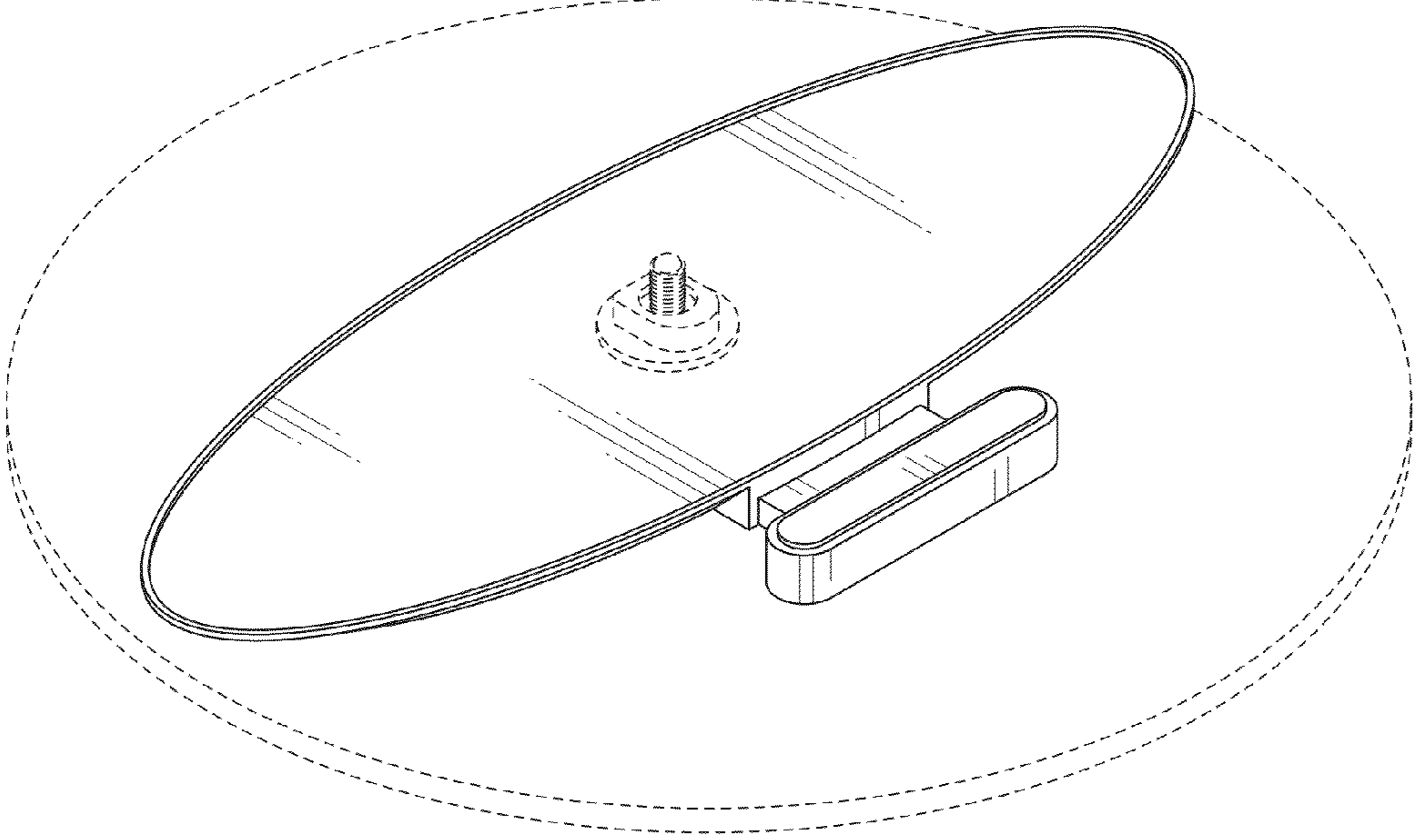


Fig. 3

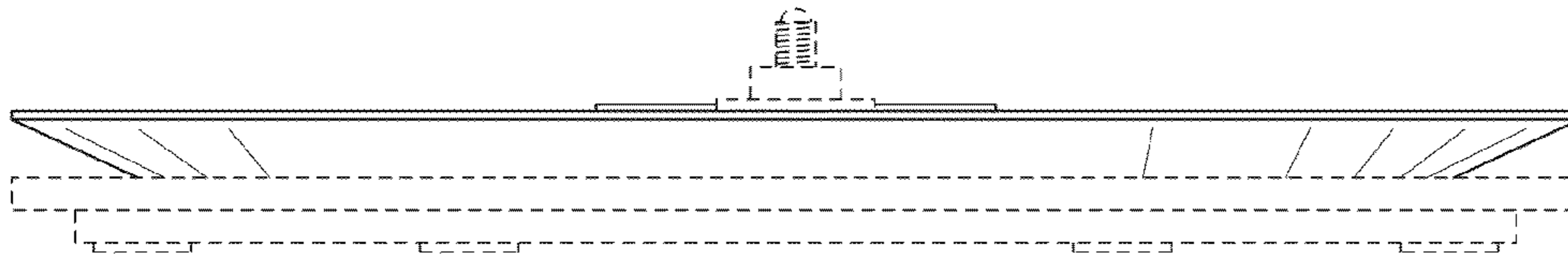


Fig. 4

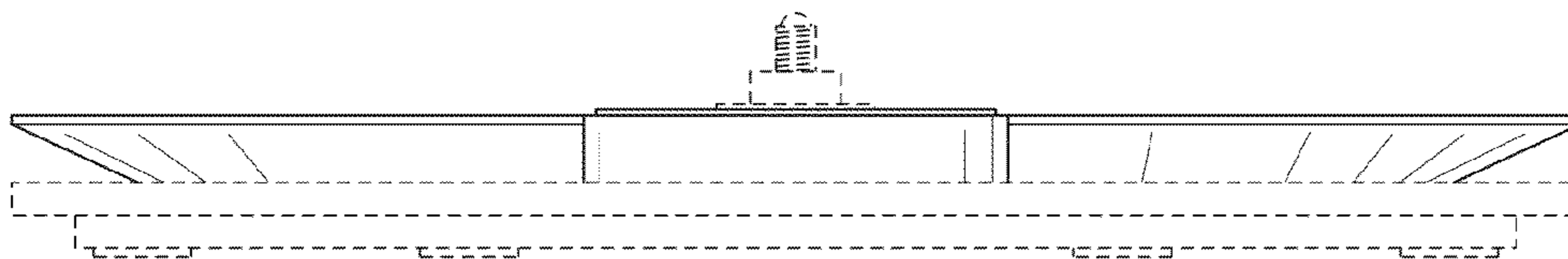


Fig. 5

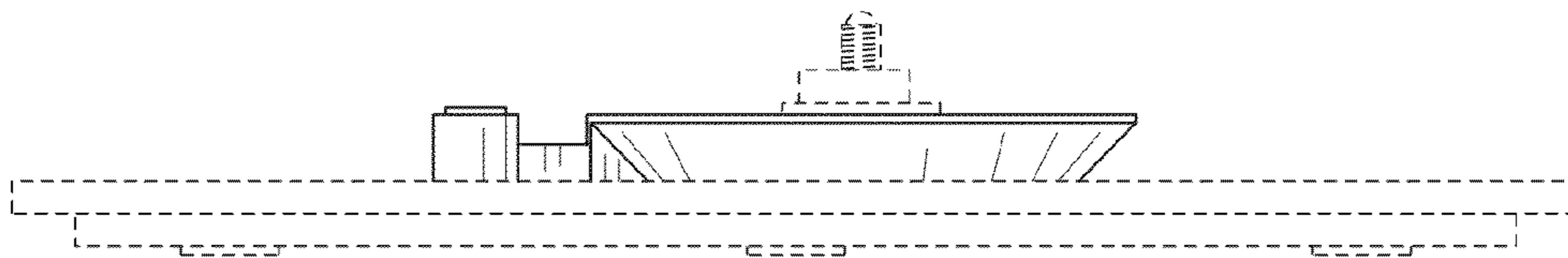


Fig. 6

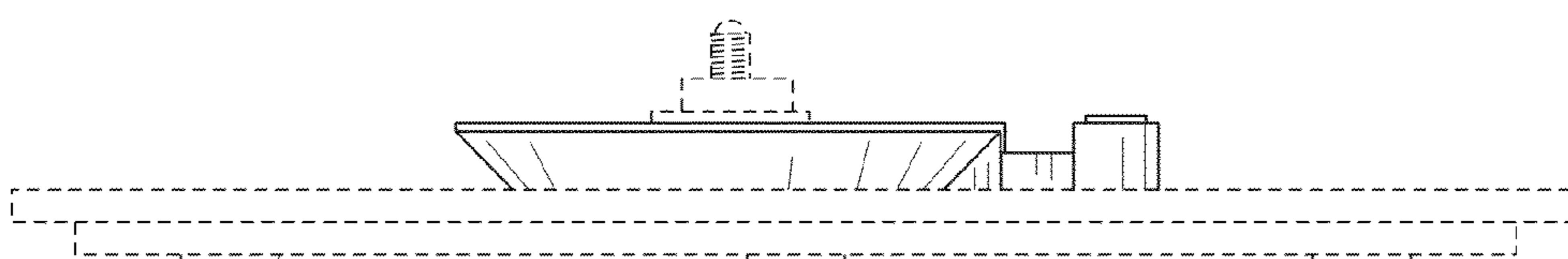


Fig. 7

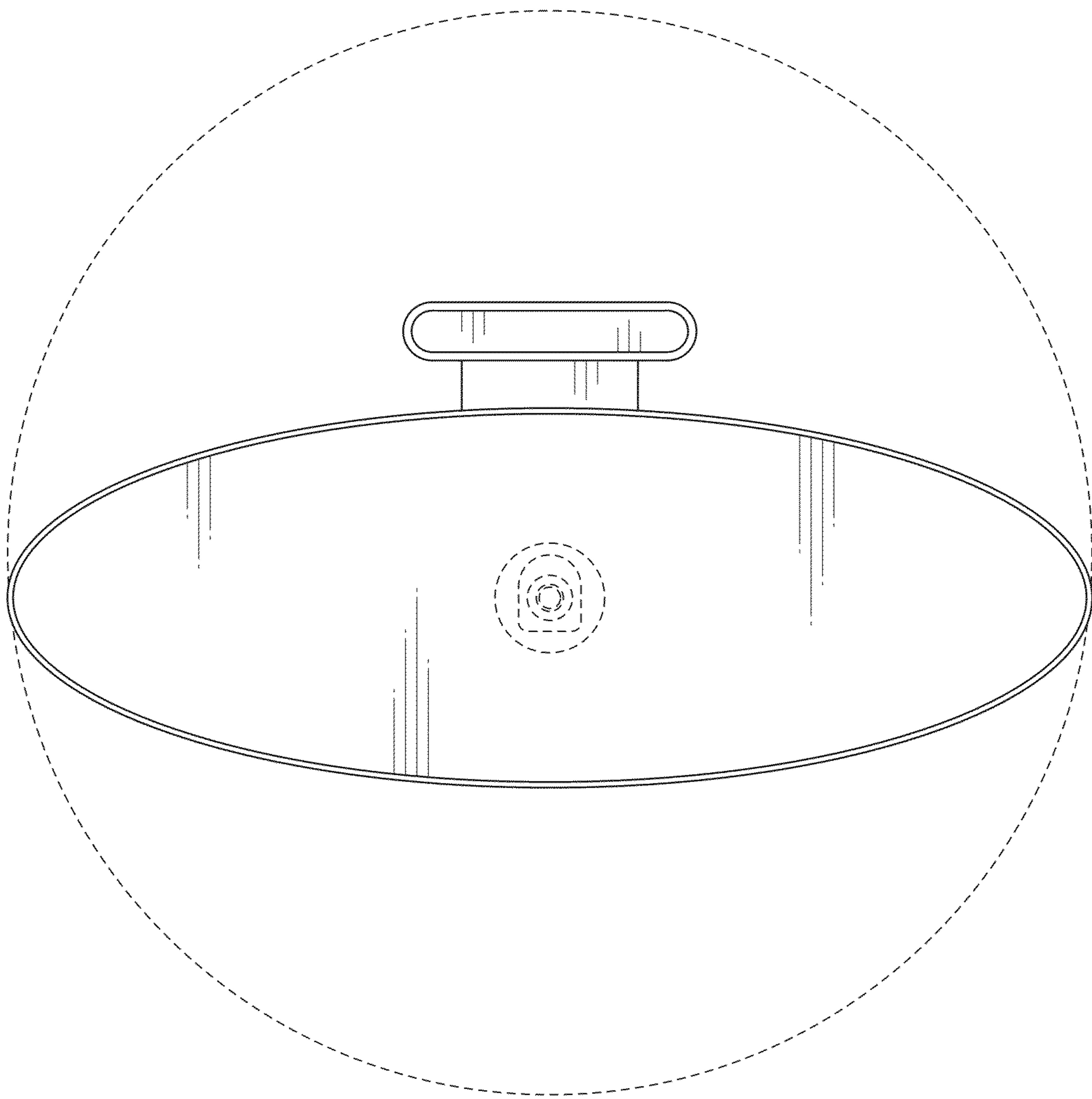


Fig. 8

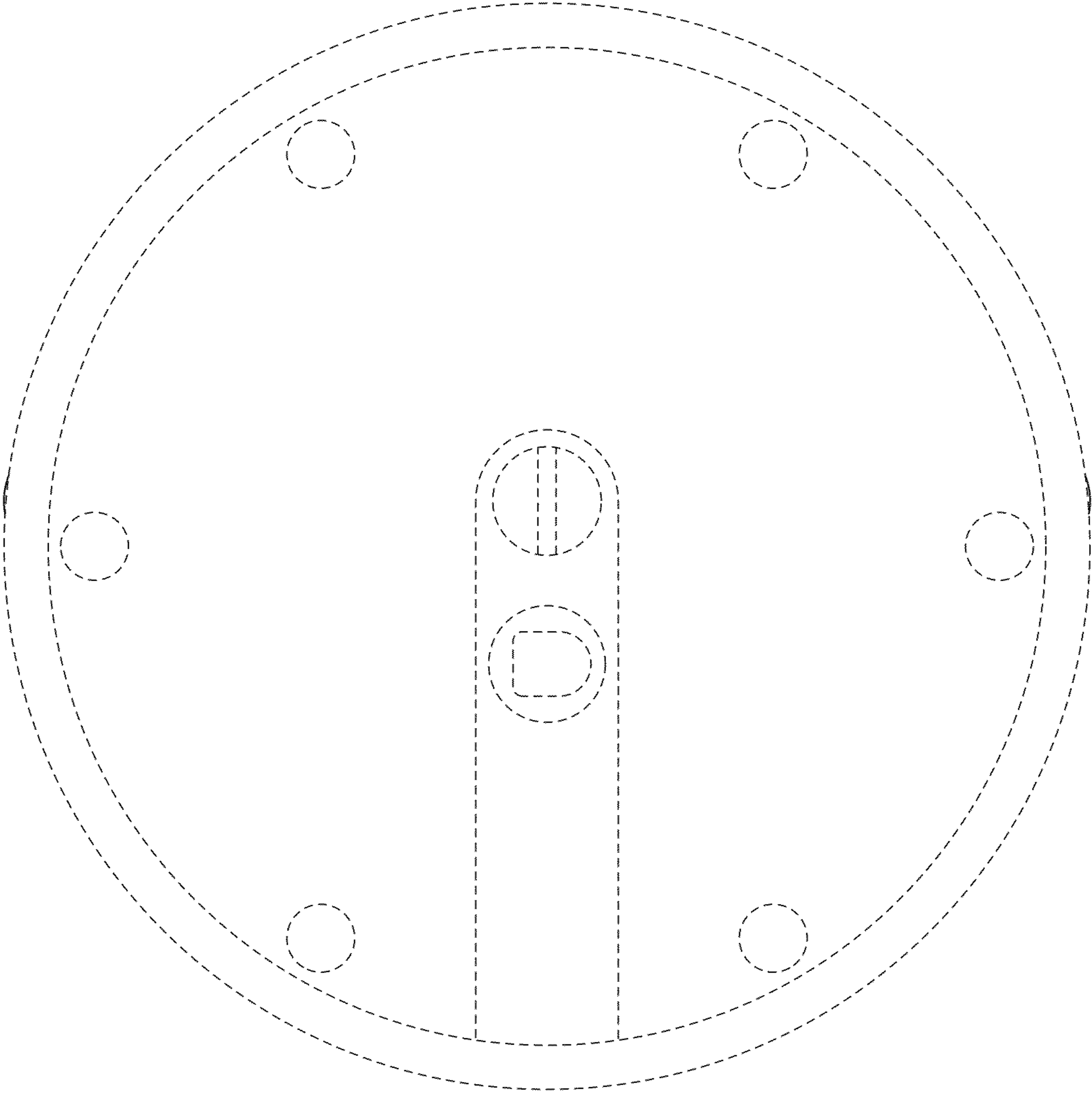


Fig. 9

