



US00D708614S

(12) **United States Design Patent**
Huh et al.

(10) **Patent No.:** **US D708,614 S**
(45) **Date of Patent:** **** Jul. 8, 2014**

(54) **MONITOR**

(71) Applicant: **LG Electronics Inc.**, Seoul (KR)

(72) Inventors: **Byungmu Huh**, Seoul (KR); **Jaewon Lim**, Gyeonggi-do (KR)

(73) Assignee: **LG Electronics Inc.**, Seoul (KR)

(**) Term: **14 Years**

(21) Appl. No.: **29/452,651**

(22) Filed: **Apr. 19, 2013**

(30) **Foreign Application Priority Data**

Oct. 24, 2012 (KR) 30-2012-0050649

(51) **LOC (10) Cl.** **14-02**

(52) **U.S. Cl.**
USPC **D14/374**

(58) **Field of Classification Search**
CPC G06F 3/016; G06F 3/011; F16M 11/10;
F16M 11/04
USPC D14/371-375, 125-129, 336, 337;
341/12; 345/104, 156, 168, 173;
348/180, 184, 325, 739; 349/1, 2, 11,
349/62; 361/679.01, 679.05-679.07,
361/679.21; D6/300, 308

See application file for complete search history.

(56) **References Cited**

U.S. PATENT DOCUMENTS

D518,049	S	*	3/2006	Depay	D14/375
D520,004	S	*	5/2006	Baek et al.	D14/375
D545,820	S	*	7/2007	Won et al.	D14/375
D628,172	S	*	11/2010	Chien	D14/126
D643,036	S	*	8/2011	Chien	D14/374
2011/0096486	A1	*	4/2011	Oh et al.	361/679.21
2012/0155004	A1	*	6/2012	Yukawa et al.	361/679.21

* cited by examiner

Primary Examiner — Freda S Nunn

(74) *Attorney, Agent, or Firm* — Morgan, Lewis & Bockius LLP

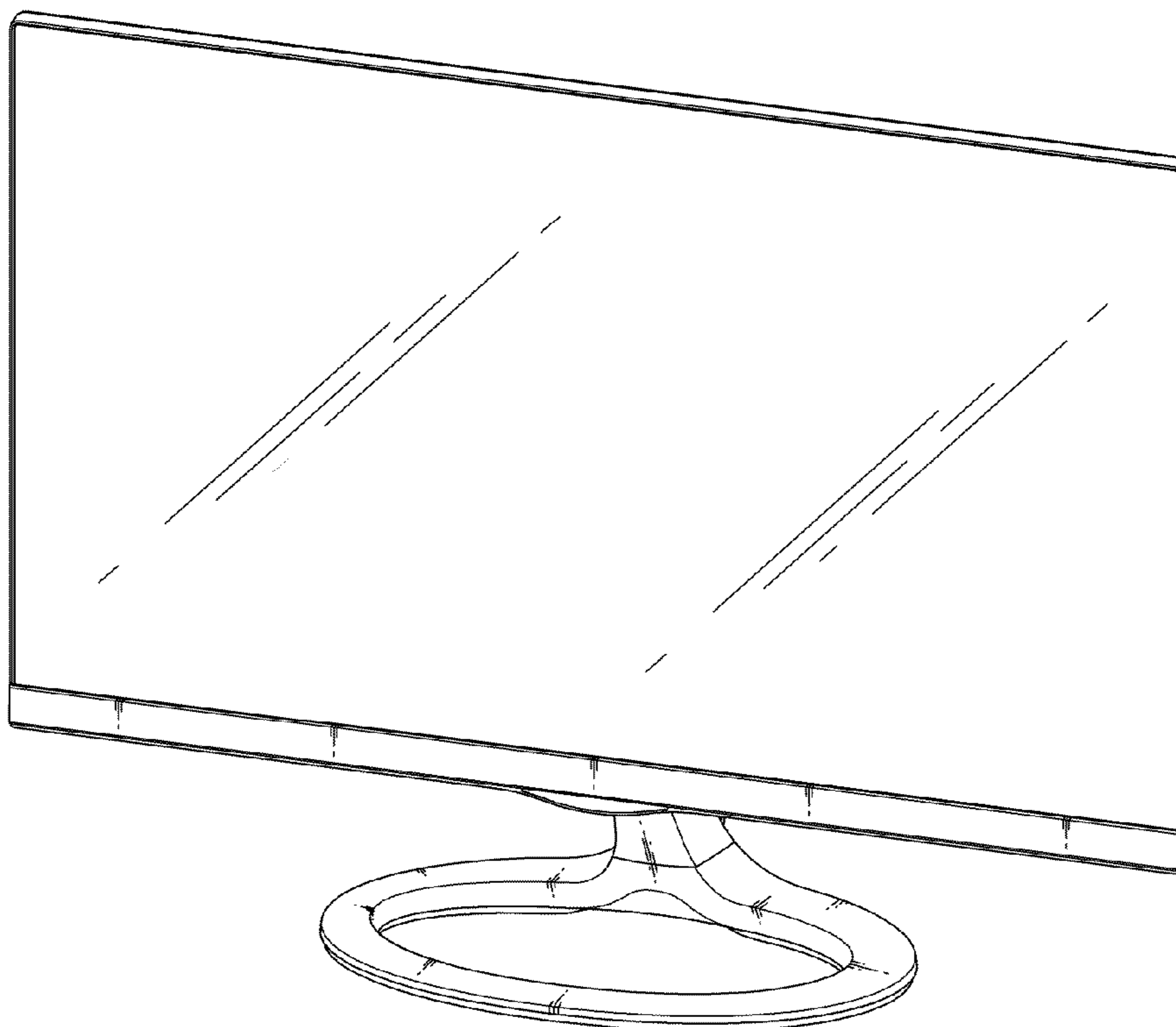
(57) **CLAIM**

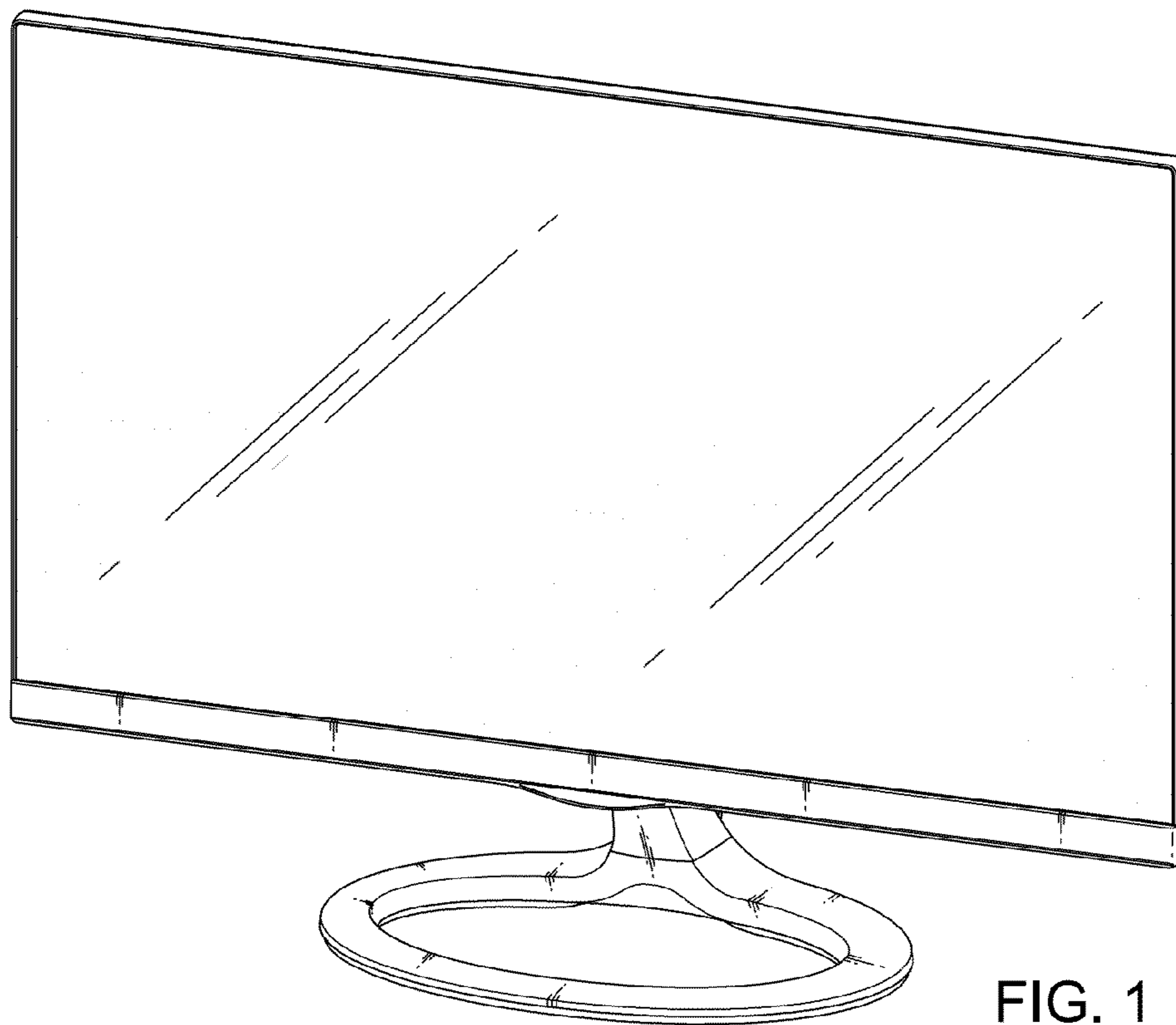
The ornamental design for a monitor, as shown and described.

DESCRIPTION

FIG. 1 is a front, right side, perspective view of a monitor showing our new design;
FIG. 2 is a front view thereof;
FIG. 3 is a rear view thereof;
FIG. 4 is a left side view thereof;
FIG. 5 is a right side view thereof;
FIG. 6 is a top view thereof; and,
FIG. 7 is a bottom view thereof.

1 Claim, 4 Drawing Sheets





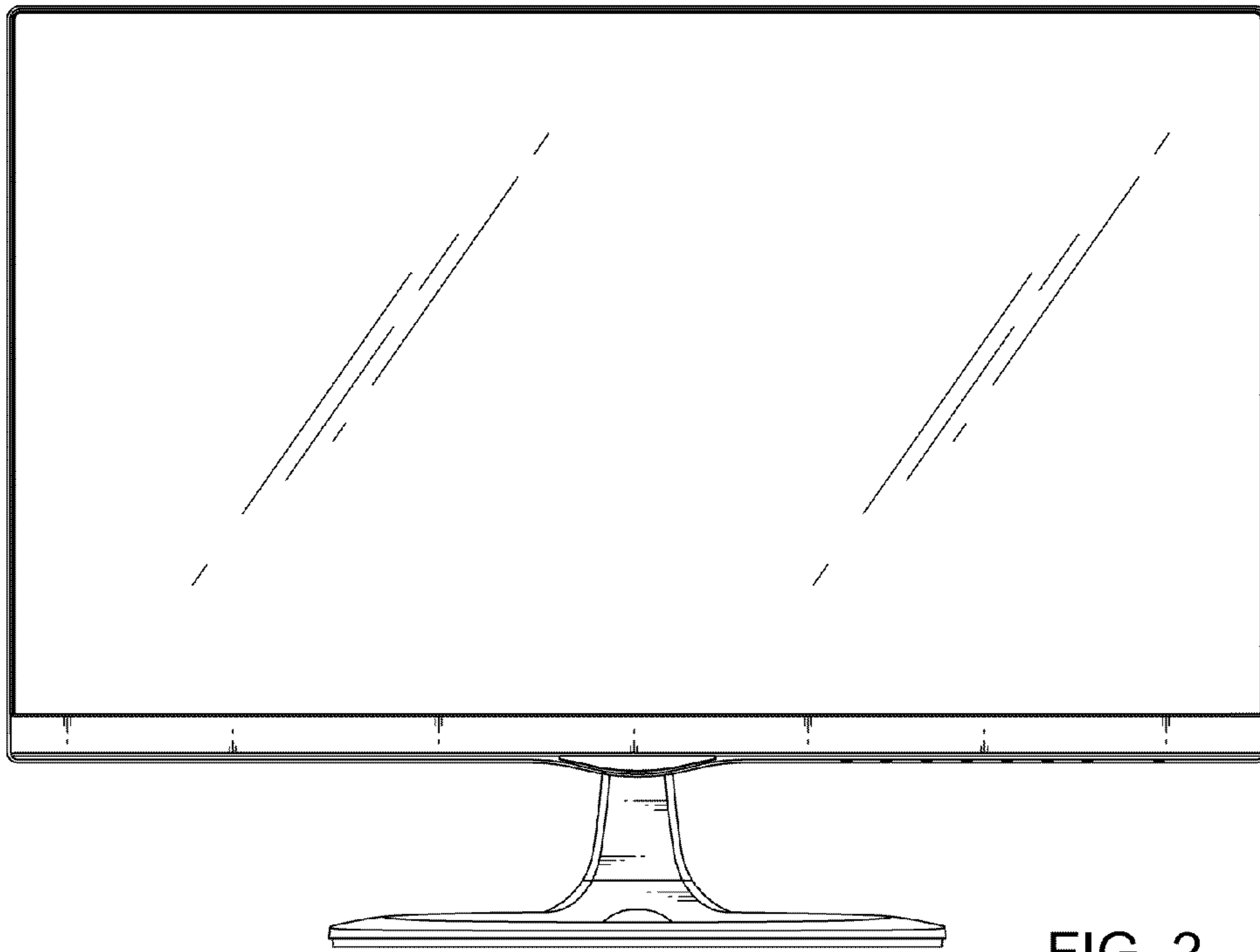


FIG. 2

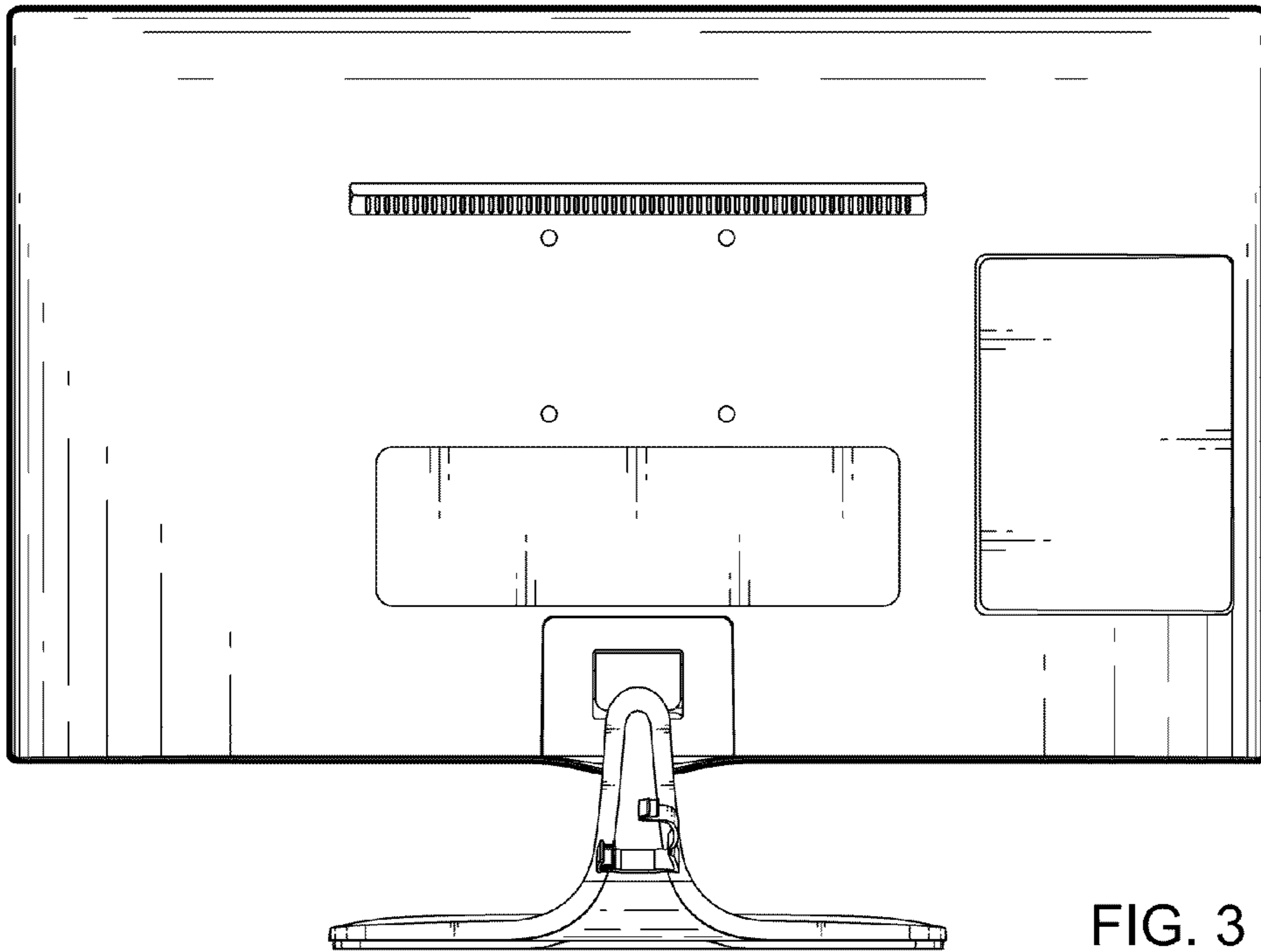


FIG. 3

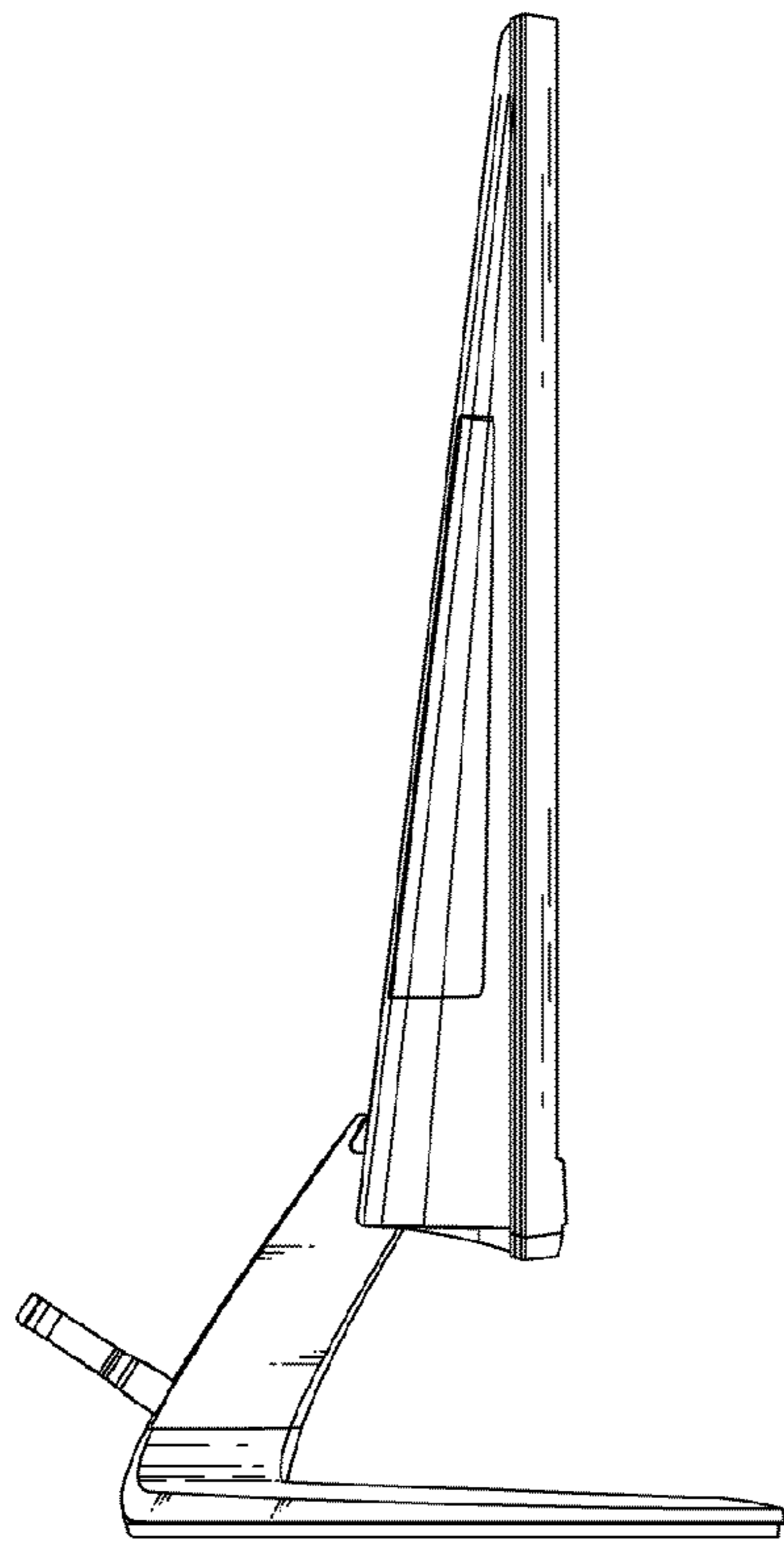


FIG. 4

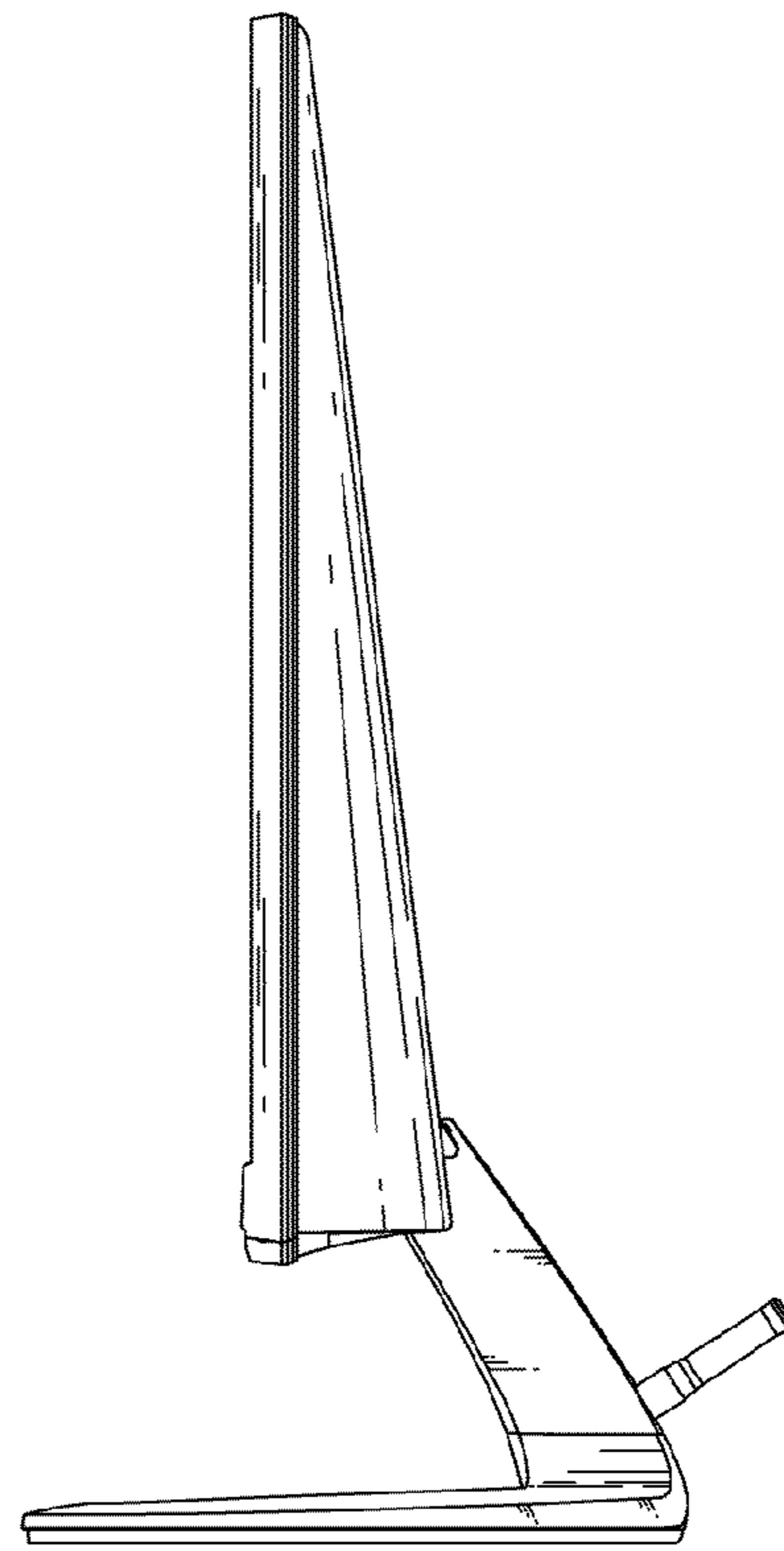


FIG. 5

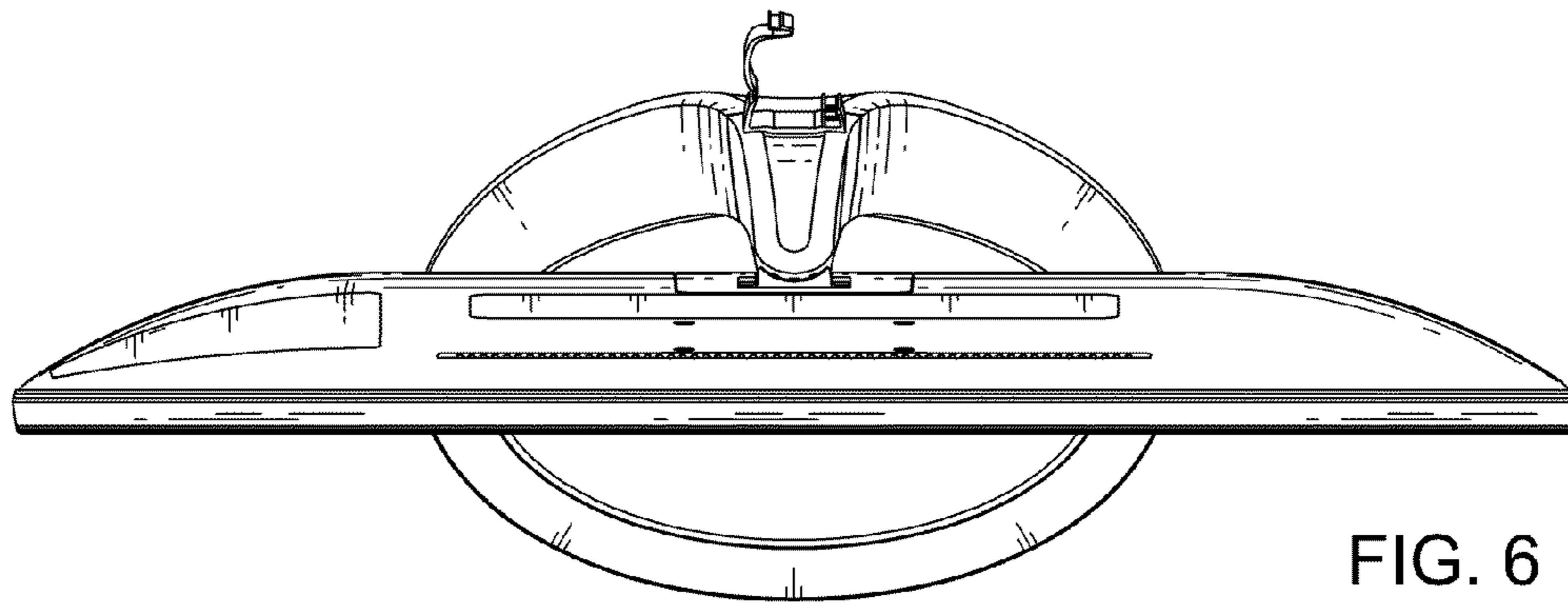


FIG. 6

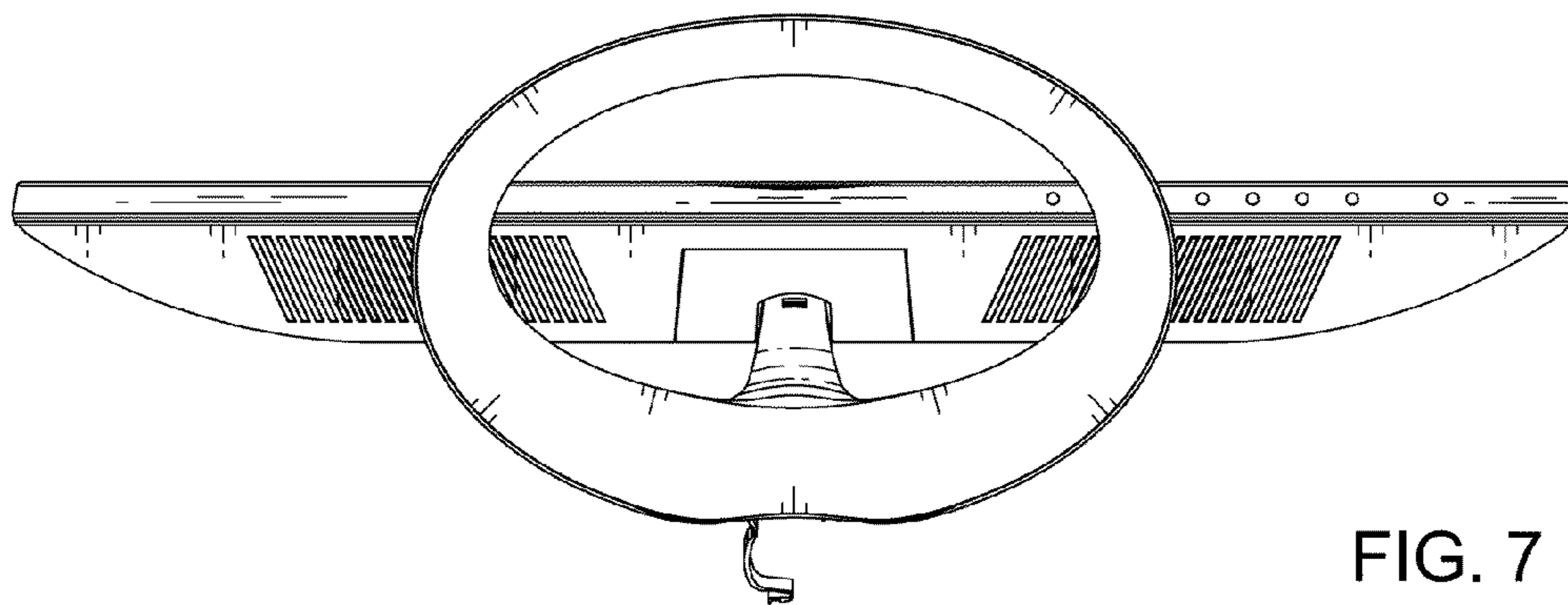


FIG. 7