



US00D708611S

(12) **United States Design Patent**  
**Burmeister-Brown et al.**

(10) **Patent No.:** **US D708,611 S**  
(45) **Date of Patent:** **\*\* Jul. 8, 2014**

(54) **HOUSING FOR A NETWORK DEVICE**

FOREIGN PATENT DOCUMENTS

(71) Applicant: **Open Mesh, Inc.**, Portland, OR (US)

CN 302543065 \* 8/2013  
CN 302543066 \* 8/2013

(72) Inventors: **Michael D. Burmeister-Brown**,  
Portland, OR (US); **Jeff Miller**, Portland,  
OR (US)

(Continued)

(73) Assignee: **Open Mesh, Inc.**, Portland, OR (US)

OTHER PUBLICATIONS

(\*\*) Term: **14 Years**

Open-Mesh 802.11g/n Low Cost Mesh Network WiFi WAP. [online].  
HomeTech Solutions, 2013 [retrieved on Dec. 30, 2013]. Retrieved  
from the Internet: <URL: [http://www.hometech.com/hts/products/  
phone\\_data/wifi/om-om2plc.html](http://www.hometech.com/hts/products/phone_data/wifi/om-om2plc.html)>.\*

(21) Appl. No.: **29/459,894**

(Continued)

(22) Filed: **Jul. 3, 2013**

*Primary Examiner* — Richard E Chilcot

(51) **LOC (10) Cl.** ..... **14-02**

*Assistant Examiner* — John Eberhart

(52) **U.S. Cl.**

(74) *Attorney, Agent, or Firm* — Perkins Coie LLP

USPC ..... **D14/358**; D14/356

(58) **Field of Classification Search**

(57) **CLAIM**

CPC ..... G10K 11/1788; G10K 2210/1282;  
G10K 2210/112; G10K 2210/1081

The ornamental design for a housing for a network device, as  
shown and described.

USPC ..... 361/679.08; 381/71-71.9; D13/103,  
D13/110, 177; D14/125, 140.2, 149, 188,  
D14/203.3, 231, 240, 256, 356-365, 435,  
D14/440

**DESCRIPTION**

See application file for complete search history.

FIG. 1 is a perspective view of an embodiment of a housing  
for a network device showing our new design, as viewed from  
the top and one side.

(56) **References Cited**

U.S. PATENT DOCUMENTS

D311,389 S \* 10/1990 Festa et al. .... D14/301  
D348,448 S \* 7/1994 Read et al. .... D14/365  
D431,231 S \* 9/2000 Goto ..... D14/356  
D509,214 S \* 9/2005 Chung ..... D14/240  
D511,343 S \* 11/2005 Solomon et al. .... D14/356  
D535,281 S \* 1/2007 Yang ..... D14/203.3  
D577,021 S \* 9/2008 Kuang et al. .... D14/363  
D581,928 S \* 12/2008 Tsuchiya ..... D14/363

FIG. 2 is a front view of the housing shown in FIG. 1.

FIG. 3 is a back view of the housing shown in FIG. 1.

FIG. 4 is a first side view of the housing shown in FIG. 1.

FIG. 5 is a second side view of the housing shown in FIG. 1.

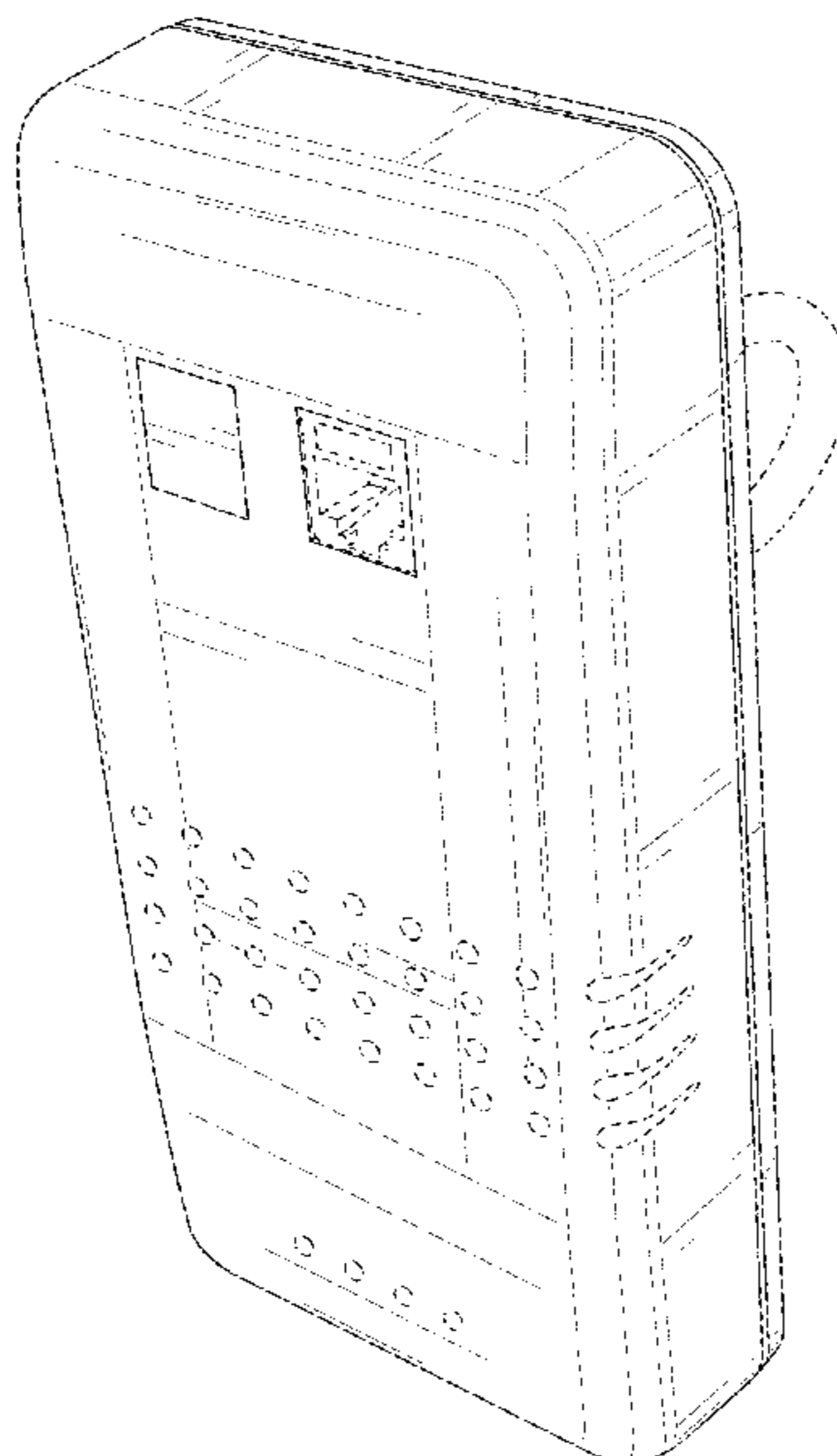
FIG. 6 is a plan view of the housing shown in FIG. 1; and,

FIG. 7 is an inverted plan view of the housing shown in FIG.  
1.

The details shown in broken lines illustrate portions of the  
housing for a network device that form no part of the claimed  
design.

(Continued)

**1 Claim, 7 Drawing Sheets**



(56)

**References Cited**

U.S. PATENT DOCUMENTS

D625,719 S \* 10/2010 Carroll et al. .... D14/356  
D638,355 S \* 5/2011 Chen ..... D13/110  
D678,187 S \* 3/2013 Huang ..... D13/103  
D693,798 S \* 11/2013 Chuang et al. .... D14/240

FOREIGN PATENT DOCUMENTS

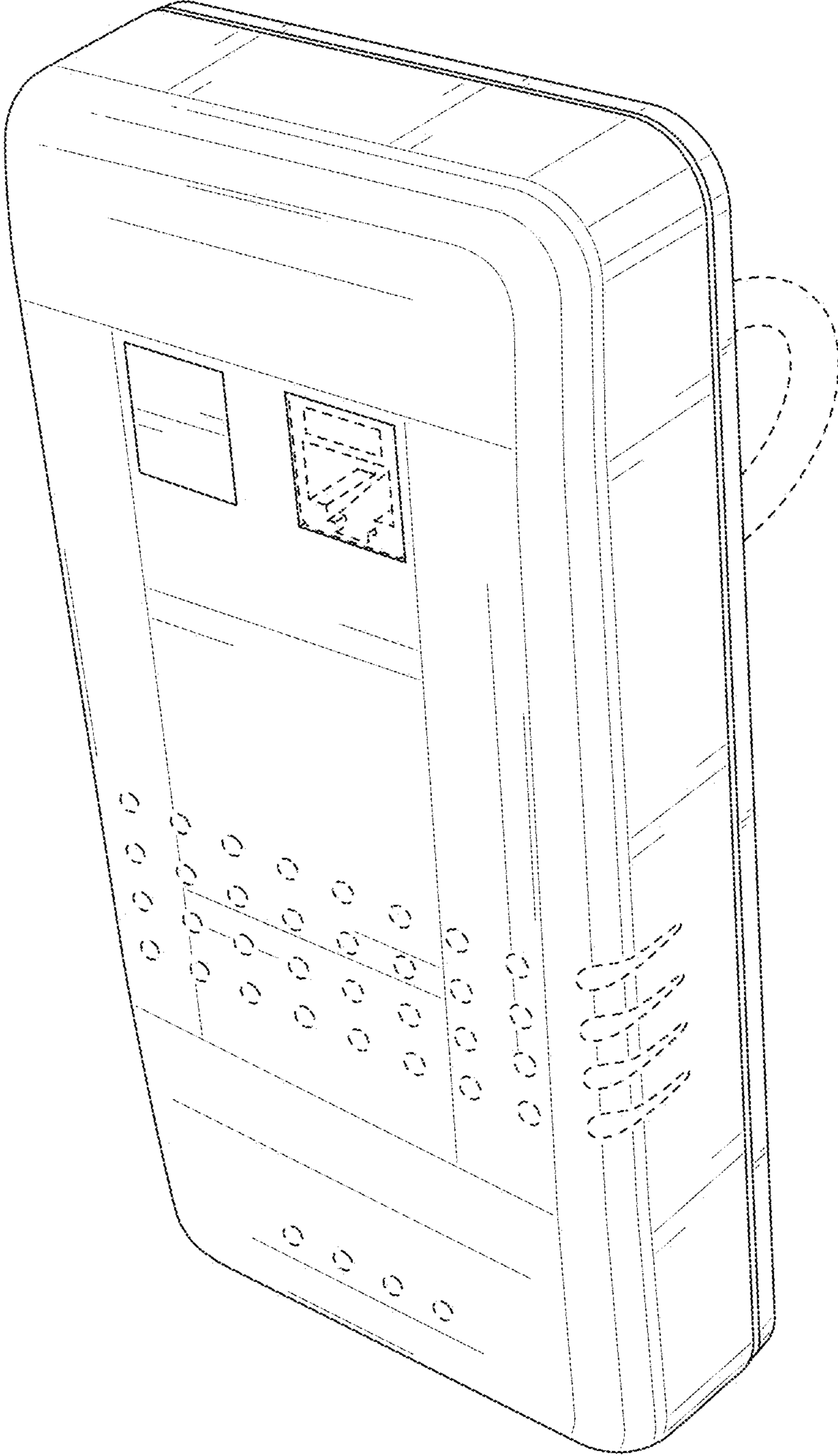
CN 302612453 \* 10/2013  
FR 941686-003 \* 3/1994  
FR 941686-004 \* 3/1994  
JP D1350209 \* 6/2008  
JP D1351050 \* 2/2009

JP D1484278 \* 11/2013  
JP D1484279 \* 11/2013  
KR 300458929.0000 \* 8/2007

OTHER PUBLICATIONS

Wall Mount Mini Size Wireless N Router. [online]. Gongjin Electronics, 2013 [retrieved on Dec. 30, 2013]. Retrieved from the Internet: <URL: <http://www.twsz.com/en/product/70/286.html>>.\*  
Powerline 500 HomePlug AV Ethernet Adapter Starter Kit—2 x BiPAC 2075. [online]. Billion Electric Co, 2013 [retrieved on Dec. 30, 2013]. Retrieved from the Internet: <URL: <http://au.billion.com/products/powerline/bipacP108.html>>.\*

\* cited by examiner



*Fig. 1*

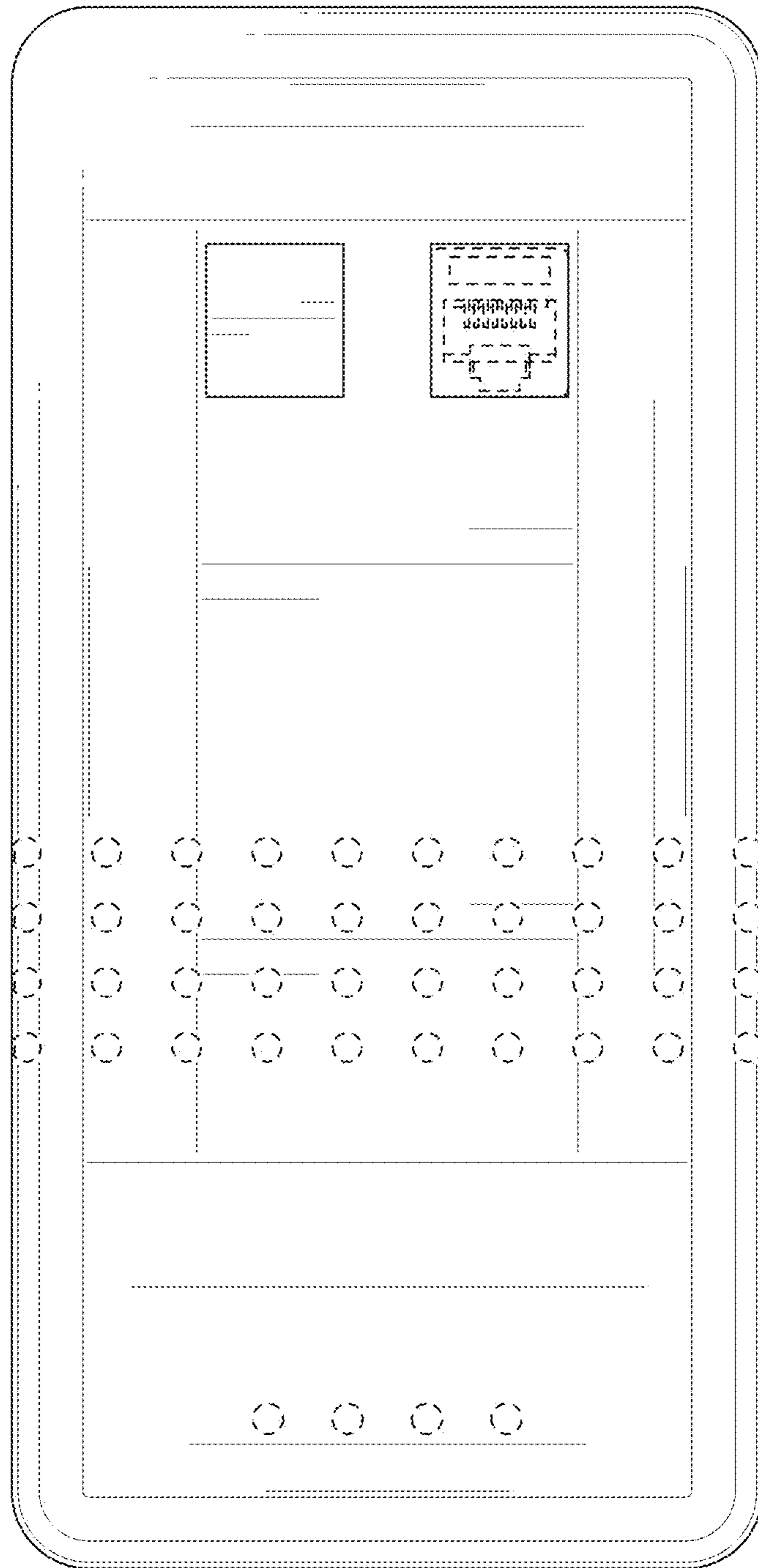
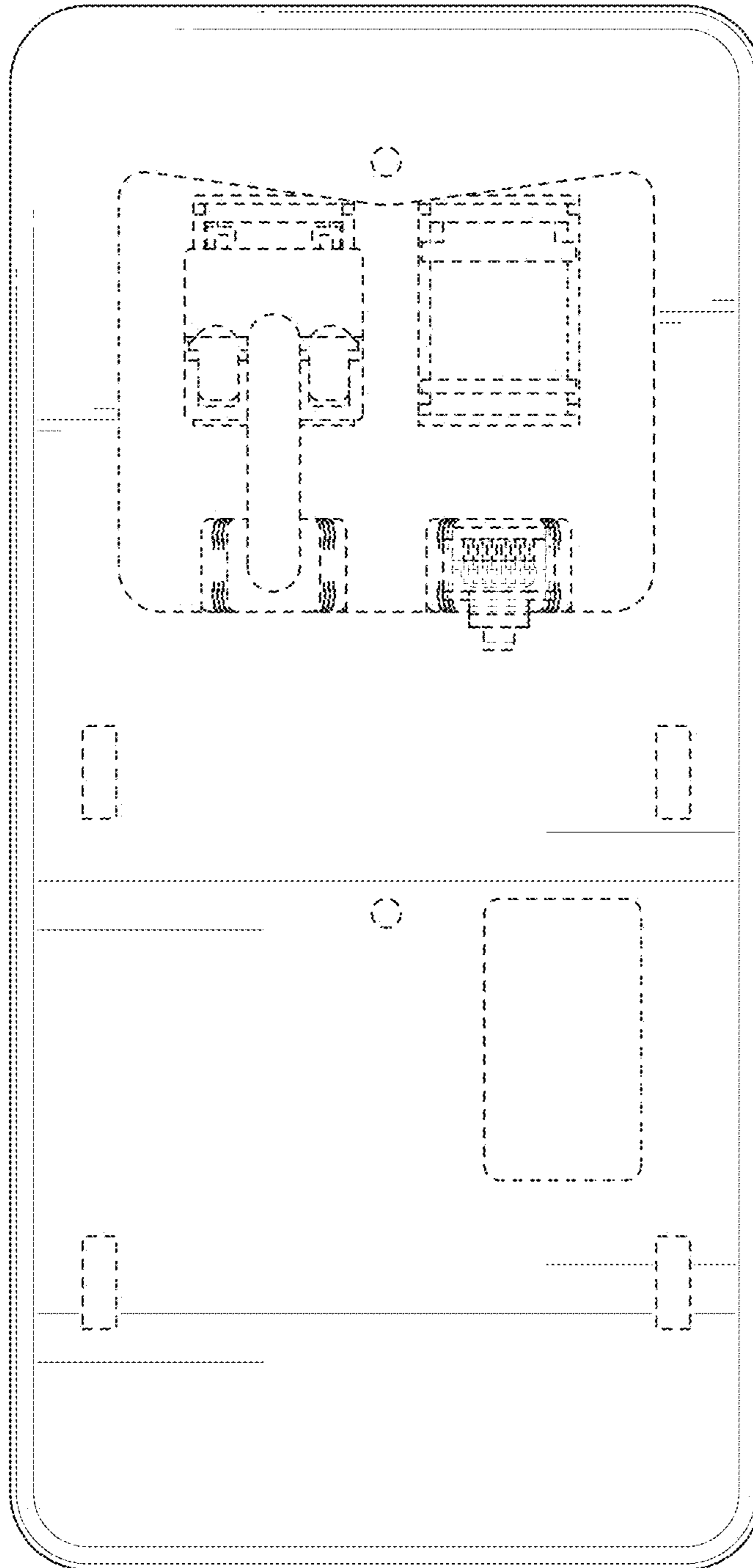
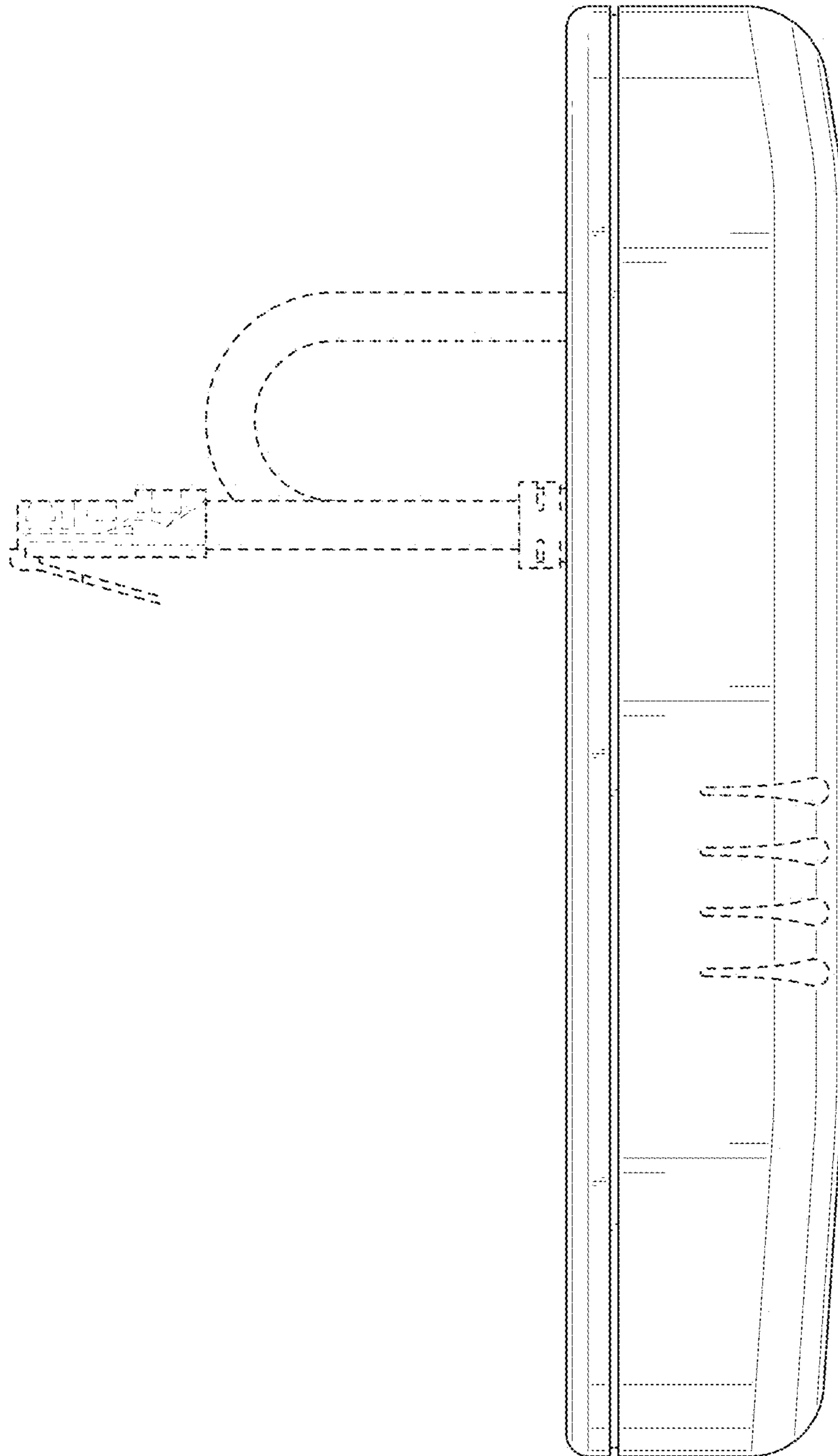


Fig. 2



*Fig. 3*



*Fig. 4*

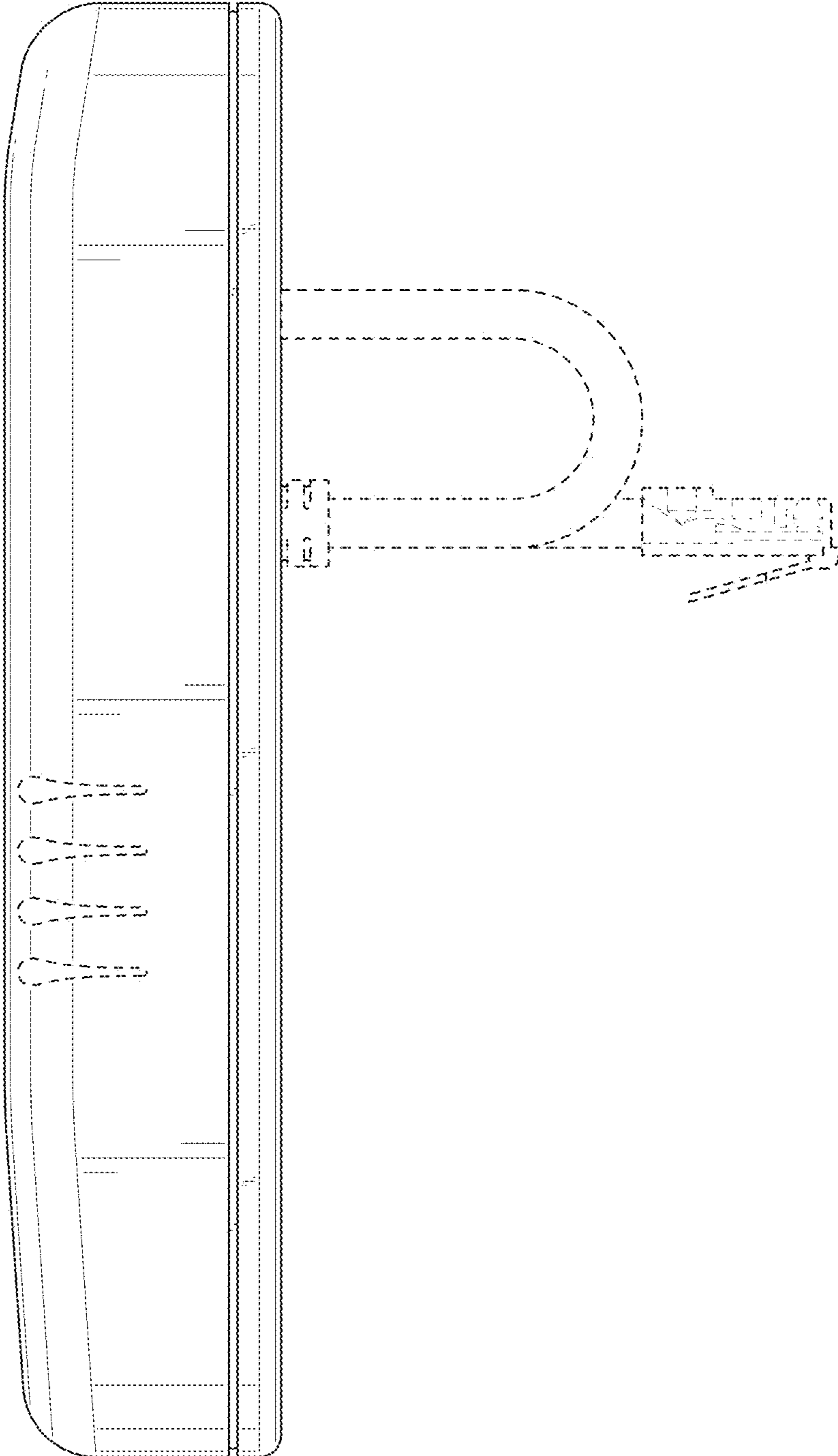
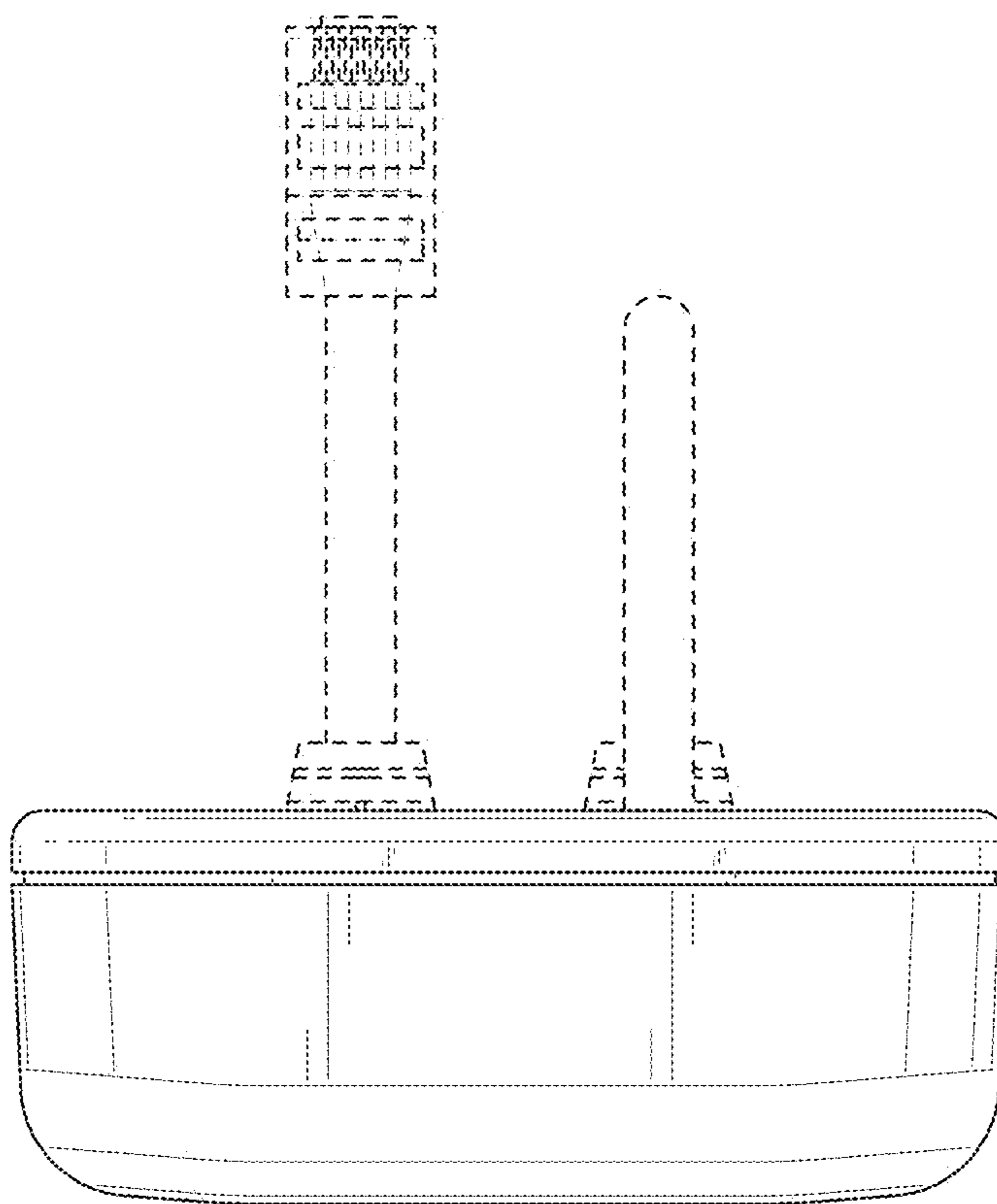
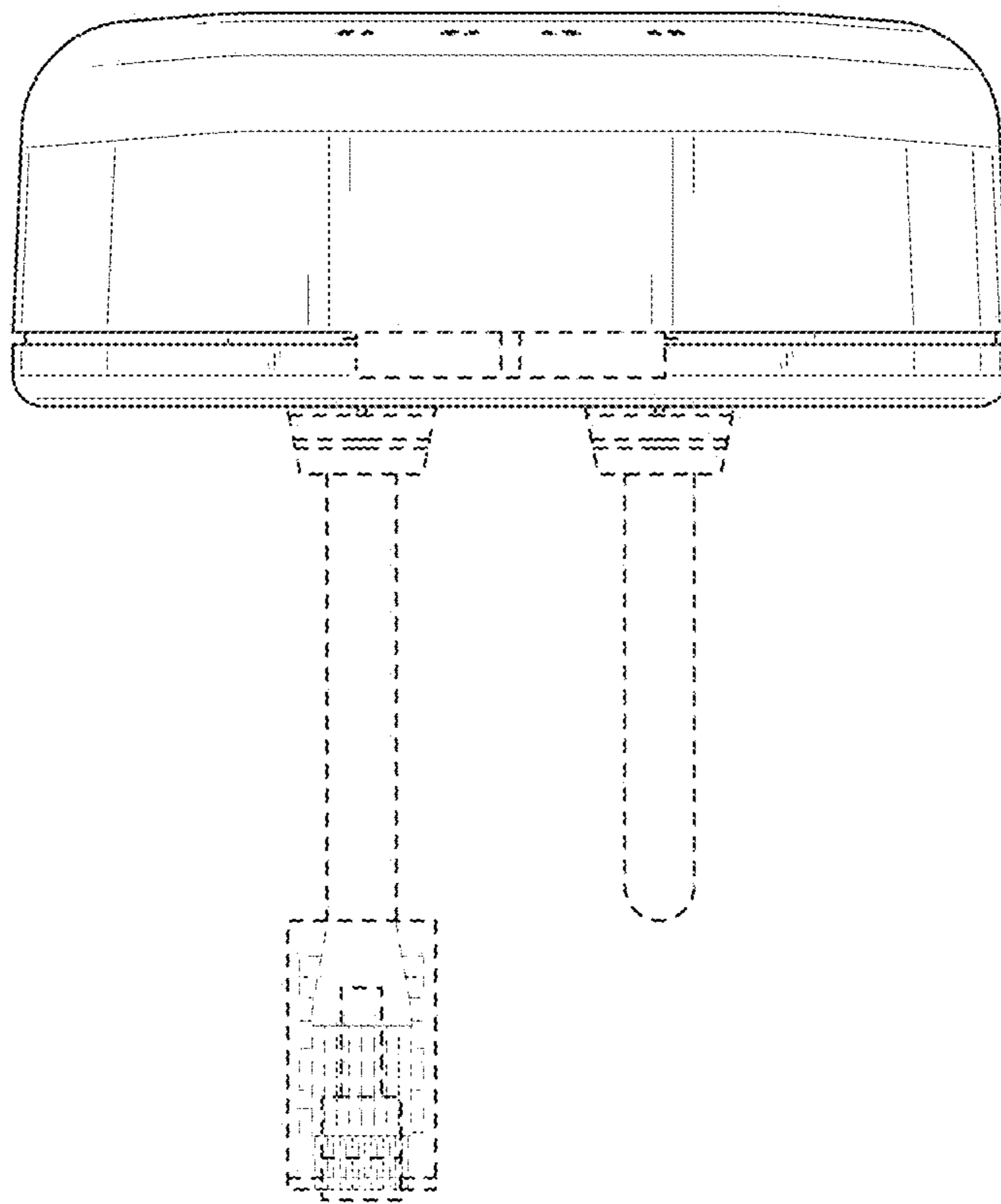


Fig. 5



*Fig. 6*





*Fig. 7*