



US00D708608S

(12) **United States Design Patent**
Sugiyama et al.

(10) **Patent No.:** **US D708,608 S**
(45) **Date of Patent:** **** Jul. 8, 2014**

(54) **TABLET**

(71) Applicant: **Sony Mobile Communications AB,**
Lund (SE)

(72) Inventors: **Naoki Sugiyama,** Tokyo (JP); **Keita Hibi,** Tokyo (JP)

(73) Assignee: **Sony Mobile Communications AB,**
Lund (SE)

(*) Notice: This patent is subject to a terminal disclaimer.

(**) Term: **14 Years**

(21) Appl. No.: **29/465,651**

(22) Filed: **Aug. 30, 2013**

Related U.S. Application Data

(63) Continuation of application No. 29/449,169, filed on Mar. 14, 2013.

(30) **Foreign Application Priority Data**

Mar. 14, 2013 (EM) 002202556

(51) **LOC (10) Cl.** **14-02**

(52) **U.S. Cl.**
USPC **D14/341**

(58) **Field of Classification Search**
USPC D14/341-347, 137, 138 AA, 138 R, D14/138 C, 138 G, 496, 203.1, 203.3, 203.4, D14/203.7, 129, 130, 420, 426, 147, 218, D14/247-248, 389, 388, 315-318; D10/65, D10/104.1; D18/6-7; D21/324, 329, 330; 455/556.1, 556.2, 566, 575.1, 90.3; 379/433.04, 433.01, 433.06, 916; 345/173, 901, 905; 361/679.26, 361/679.27, 679.3, 679.55, 679.56, 361/680-686; 248/917-924; 348/373, 376; D19/60

See application file for complete search history.

(56) **References Cited**

U.S. PATENT DOCUMENTS

D560,227 S * 1/2008 Bennett et al. D14/496
D605,157 S 12/2009 Kim et al.

(Continued)

FOREIGN PATENT DOCUMENTS

KR 30-0621866 11/2011
TW D135008 5/2010

(Continued)

OTHER PUBLICATIONS

Search Report from corresponding Taiwanese Application No. 102302034, mailed Oct. 25, 2013.

(Continued)

Primary Examiner — Barbara Fox

(74) *Attorney, Agent, or Firm* — Renner, Otto, Boisselle & Sklar, LLP

(57) **CLAIM**

The ornamental design for a tablet, as shown and described.

DESCRIPTION

FIG. 1 is a perspective view of a tablet showing our new design.

FIG. 2 is a front view thereof.

FIG. 3 is a rear view thereof.

FIG. 4 is a left side view thereof.

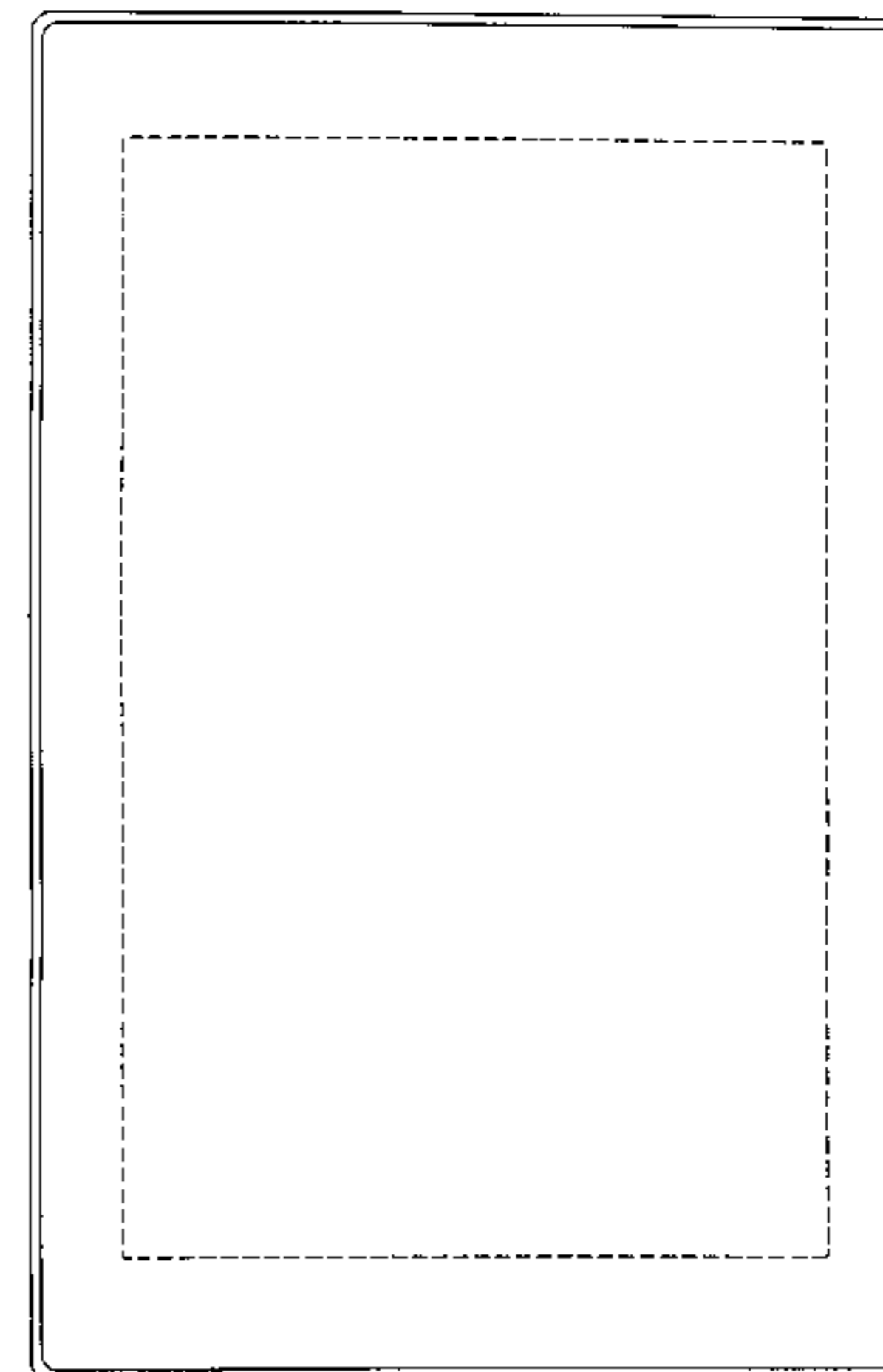
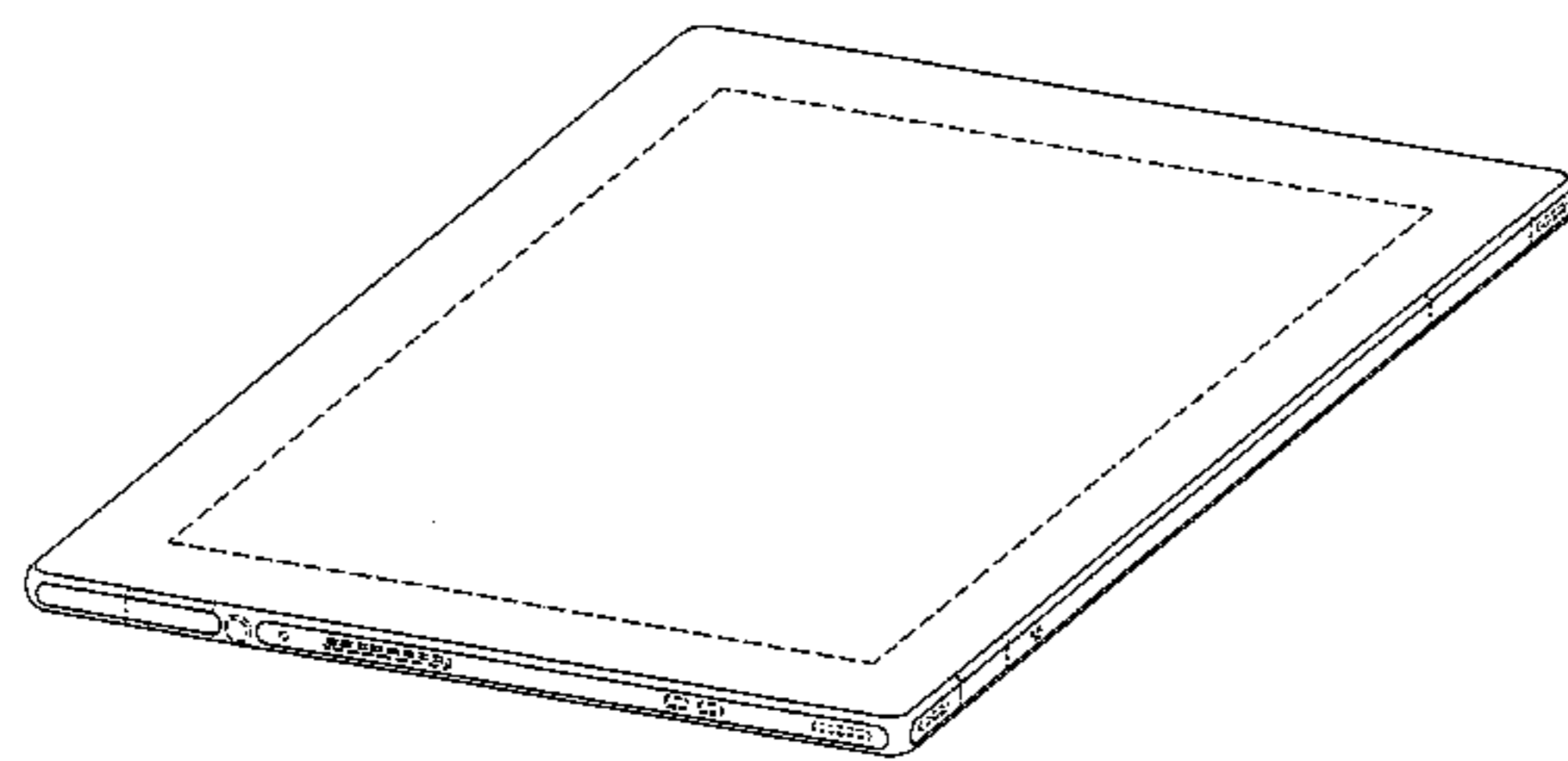
FIG. 5 is a right side view thereof.

FIG. 6 is a top view thereof; and,

FIG. 7 is a bottom view thereof.

The broken lines shown herein are for illustrative purposes only and form no part of the claimed design.

1 Claim, 5 Drawing Sheets



(56)

References Cited

U.S. PATENT DOCUMENTS

D633,493 S * 3/2011 Akana et al. D14/341
 D654,074 S * 2/2012 Wood et al. D14/341
 D656,118 S 3/2012 Kim
 D657,329 S 4/2012 Son
 8,200,299 B2 * 6/2012 Lim 455/575.4
 D664,518 S * 7/2012 Ryu D14/138 G
 D671,089 S 11/2012 Joung
 D673,561 S 1/2013 Hyun
 D673,562 S * 1/2013 Johnson D14/346
 D677,660 S * 3/2013 Groene et al. D14/341
 D678,271 S * 3/2013 Chiu D14/341
 D679,706 S * 4/2013 Tang et al. D14/341
 8,417,297 B2 * 4/2013 Lee et al. 455/566
 D684,968 S * 6/2013 Smith et al. D14/341
 D684,969 S * 6/2013 Smith et al. D14/341
 D692,877 S * 11/2013 Zuege D14/341
 D696,218 S * 12/2013 Lee et al. D14/138 G
 D696,246 S * 12/2013 Kim D14/341
 2012/0170211 A1 * 7/2012 Waller et al. 361/679.56
 2013/0322013 A1 * 12/2013 Steele 361/679.55

FOREIGN PATENT DOCUMENTS

TW D136926 9/2010
 TW D137773 11/2010
 TW D154856 7/2012
 TW D151010 12/2012
 TW D153730 5/2013
 TW D154872 7/2013

OTHER PUBLICATIONS

Drawings from co-pending U.S. Appl. No. 29/444,013, filed Jan. 25, 2013.

Drawings from co-pending U.S. Appl. No. 29/444,023, filed Jan. 25, 2013.

Drawings from co-pending U.S. Appl. No. 29/454,120, filed May 7, 2013.

Drawings from co-pending U.S. Appl. No. 29/461,094, filed Jul. 18, 2013.

* cited by examiner

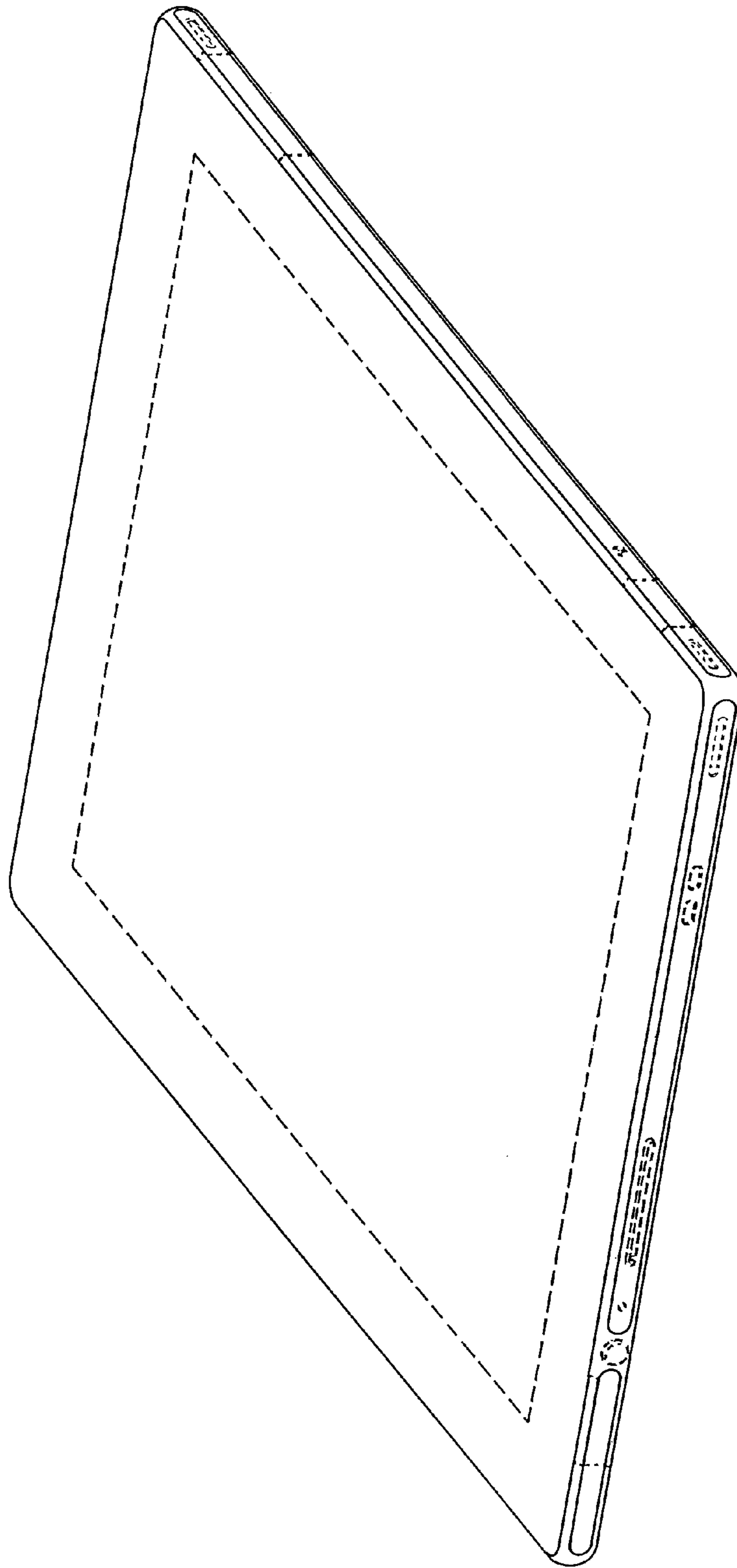


FIG. 1

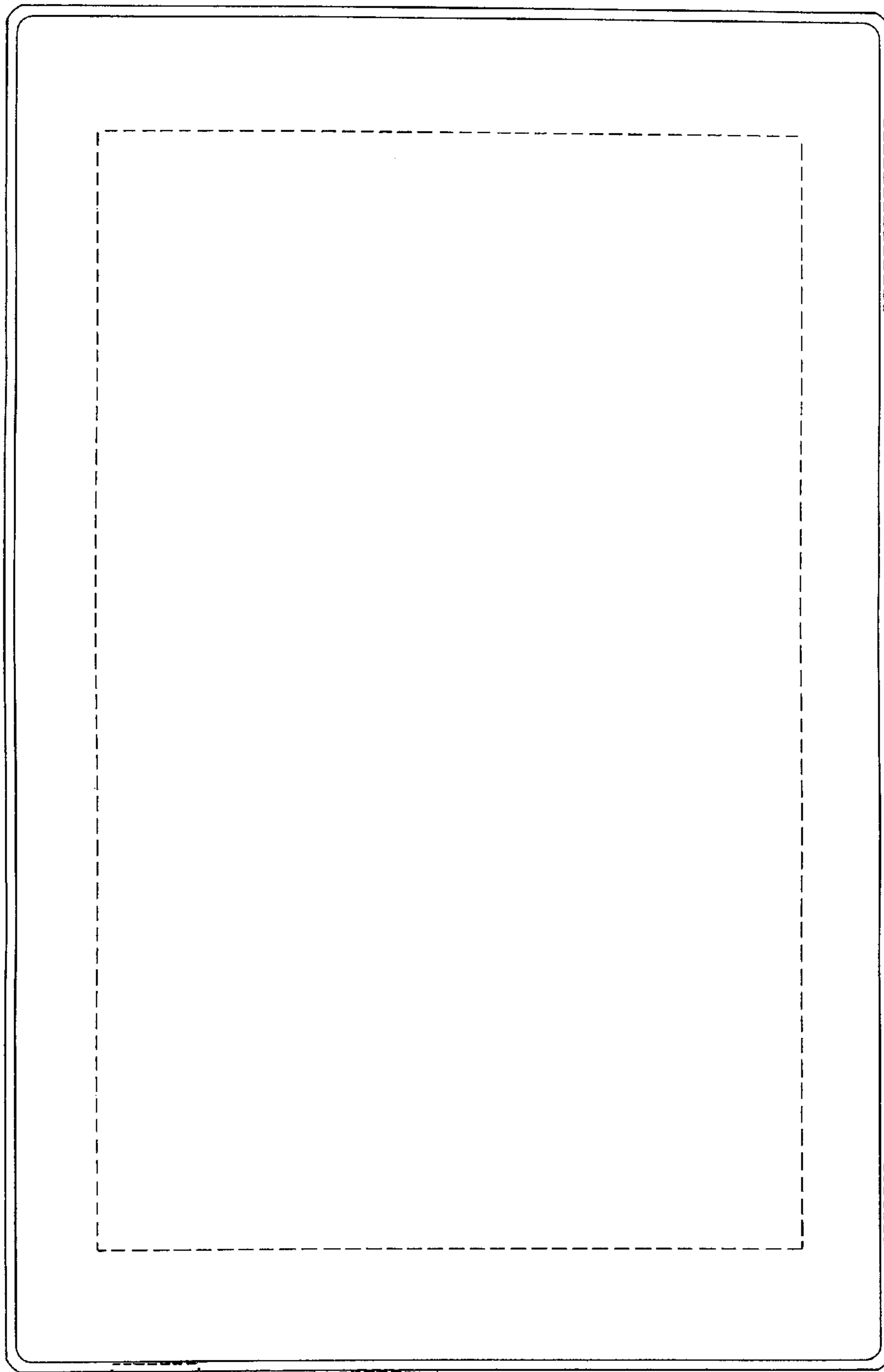


FIG. 2

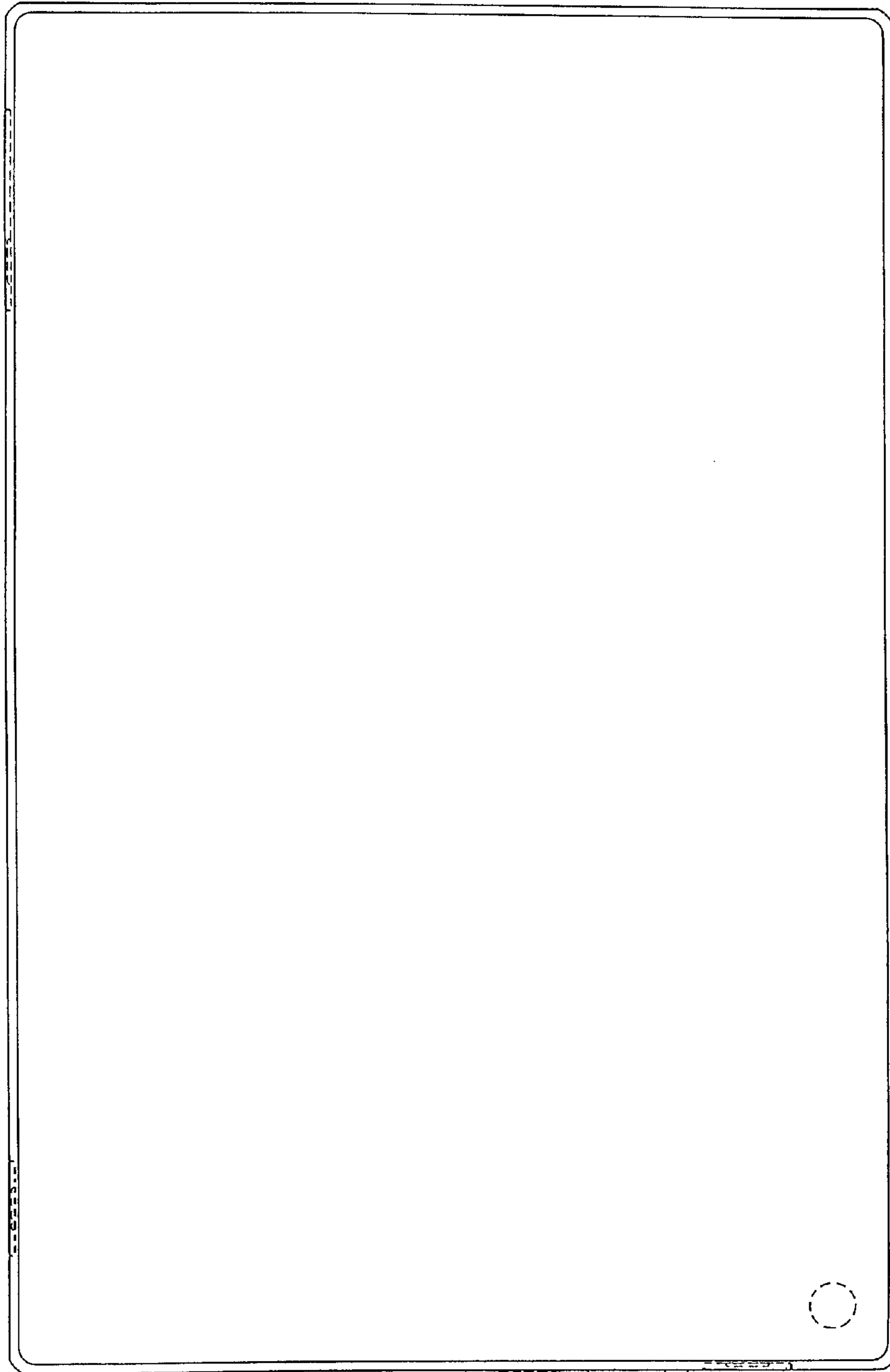


FIG. 3



FIG. 4



FIG. 5

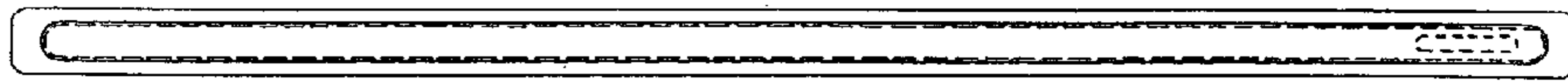


FIG. 6

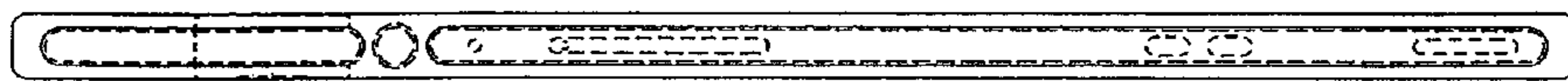


FIG. 7