



US00D708605S

(12) **United States Design Patent**  
**Yang et al.**

(10) **Patent No.:** **US D708,605 S**  
(45) **Date of Patent:** **\*\* Jul. 8, 2014**

(54) **PORTABLE COMPUTER**  
(71) Applicant: **Acer Incorporated**, New Taipei (TW)  
(72) Inventors: **Tsun-Chih Yang**, New Taipei (TW);  
**Chuan-Wei Lee**, New Taipei (TW);  
**Chyun-Nan Liu**, New Taipei (TW);  
**Wei-Yuan Cheng**, New Taipei (TW);  
**Hao-Sheng Lo**, New Taipei (TW);  
**Sheng-Ming Hsieh**, New Taipei (TW)  
(73) Assignee: **Acer Incorporated**, New Taipei (TW)  
(\*\*) Term: **14 Years**  
(21) Appl. No.: **29/441,830**  
(22) Filed: **Jan. 10, 2013**

(30) **Foreign Application Priority Data**  
Oct. 23, 2012 (TW) ..... 102300394  
(51) **LOC (10) Cl.** ..... **14-02**  
(52) **U.S. Cl.**  
USPC ..... **D14/315**  
(58) **Field of Classification Search**  
CPC ..... G06F 3/02; G06F 3/023; G06F 1/1616;  
G06F 1/16; H01H 13/705; H05K 5/00  
USPC ..... D14/315-327; D18/1, 2, 7, 11;  
235/145 A, 145 R; 341/22, 23; 345/104,  
345/156, 168, 169, 173; 361/679.2, 679.08,  
361/679.09, 679.11, 679.12, 679.17,  
361/679.26, 679.27  
See application file for complete search history.

(56) **References Cited**  
**U.S. PATENT DOCUMENTS**  
5,900,848 A \* 5/1999 Haneda et al. .... 345/1.1  
6,262,885 B1 \* 7/2001 Emma et al. .... 361/679.05  
6,266,236 B1 \* 7/2001 Ku et al. .... 361/679.27

6,464,195 B1 \* 10/2002 Hildebrandt ..... 248/460  
6,829,140 B2 \* 12/2004 Shimano et al. .... 361/679.09  
6,944,012 B2 \* 9/2005 Doczy et al. .... 361/679.15  
7,061,472 B1 \* 6/2006 Schweizer et al. .... 345/168  
D528,541 S \* 9/2006 Maskatia ..... D14/315  
7,864,524 B2 \* 1/2011 Ladouceur et al. .... 361/679.55  
D665,370 S \* 8/2012 Chung ..... D14/138 AD  
2005/0052831 A1 \* 3/2005 Chen ..... 361/680  
2007/0097087 A1 \* 5/2007 Homer et al. .... 345/173  
2008/0024388 A1 \* 1/2008 Bruce ..... 345/1.1

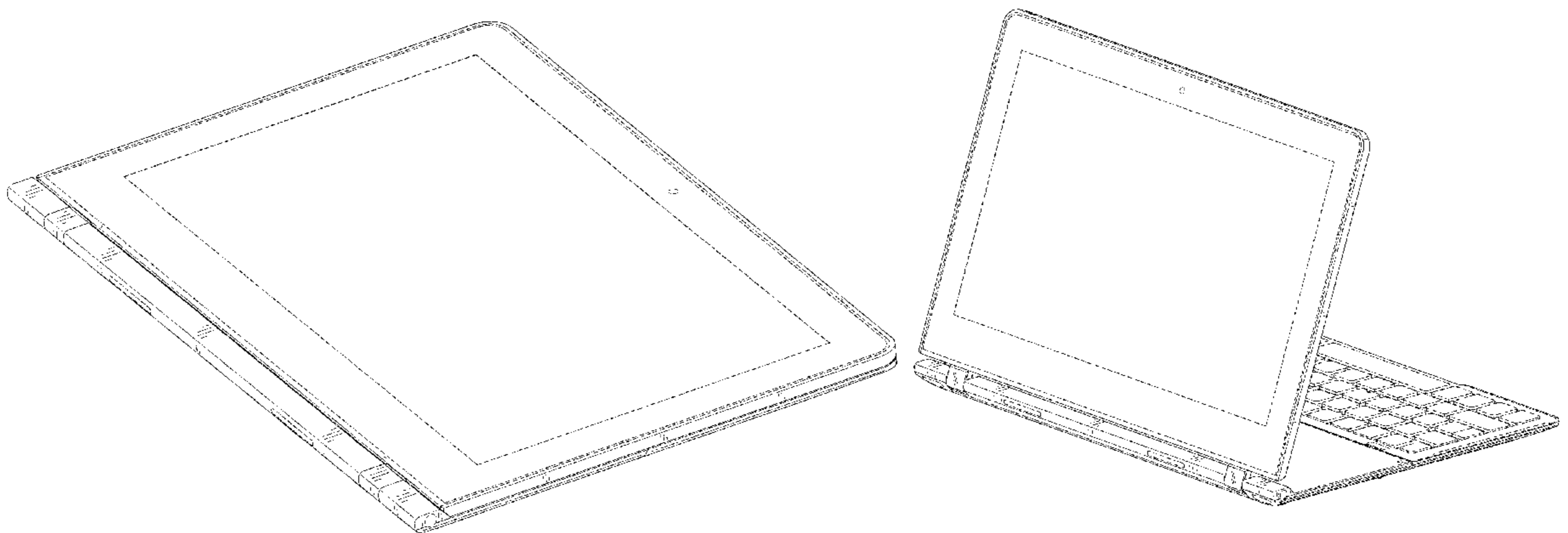
\* cited by examiner  
*Primary Examiner* — Freda S Nunn  
(74) *Attorney, Agent, or Firm* — Jianq Chyun IP Office

(57) **CLAIM**  
The ornamental design for a portable computer, as shown and described.

**DESCRIPTION**

FIG. 1 is a perspective view of a portable computer showing our new design;  
FIG. 2 is a front view thereof;  
FIG. 3 is a rear view thereof;  
FIG. 4 is a left side view thereof;  
FIG. 5 is a right side view thereof;  
FIG. 6 is a top view thereof;  
FIG. 7 is a bottom view thereof;  
FIG. 8 is a perspective view thereof in use;  
FIG. 9 is another perspective view thereof showing the keyboard disassembled;  
FIG. 10 is another perspective view thereof showing the keyboard assembled on the front side of the portable computer; and,  
FIG. 11 is another perspective view thereof shown assembled with an expansion accessory on the rear side of the portable computer.  
The broken line portions of the portable computer in all views represent unclaimed portions of the claimed design and form no part thereof

**1 Claim, 9 Drawing Sheets**



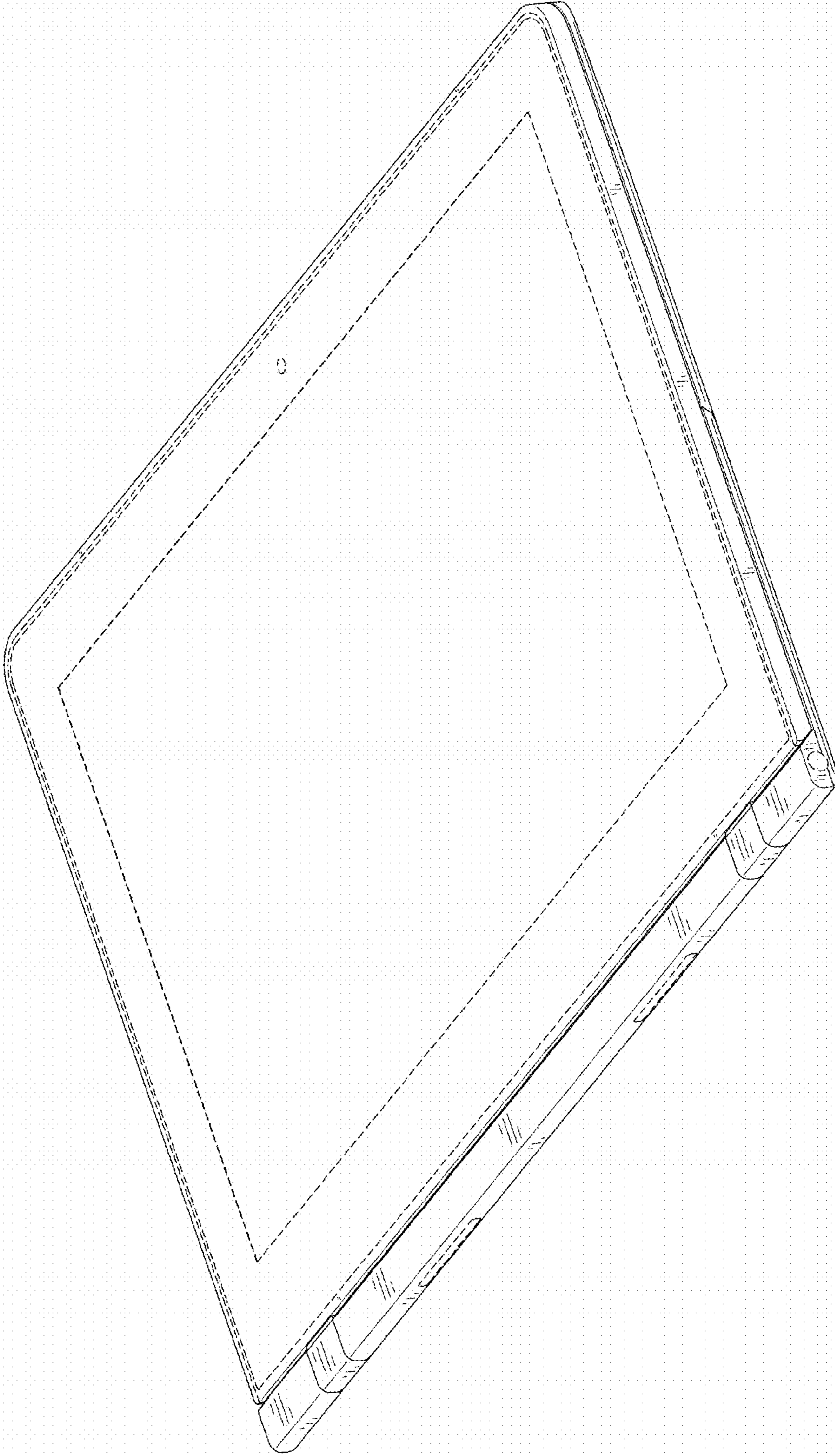


FIG. 1

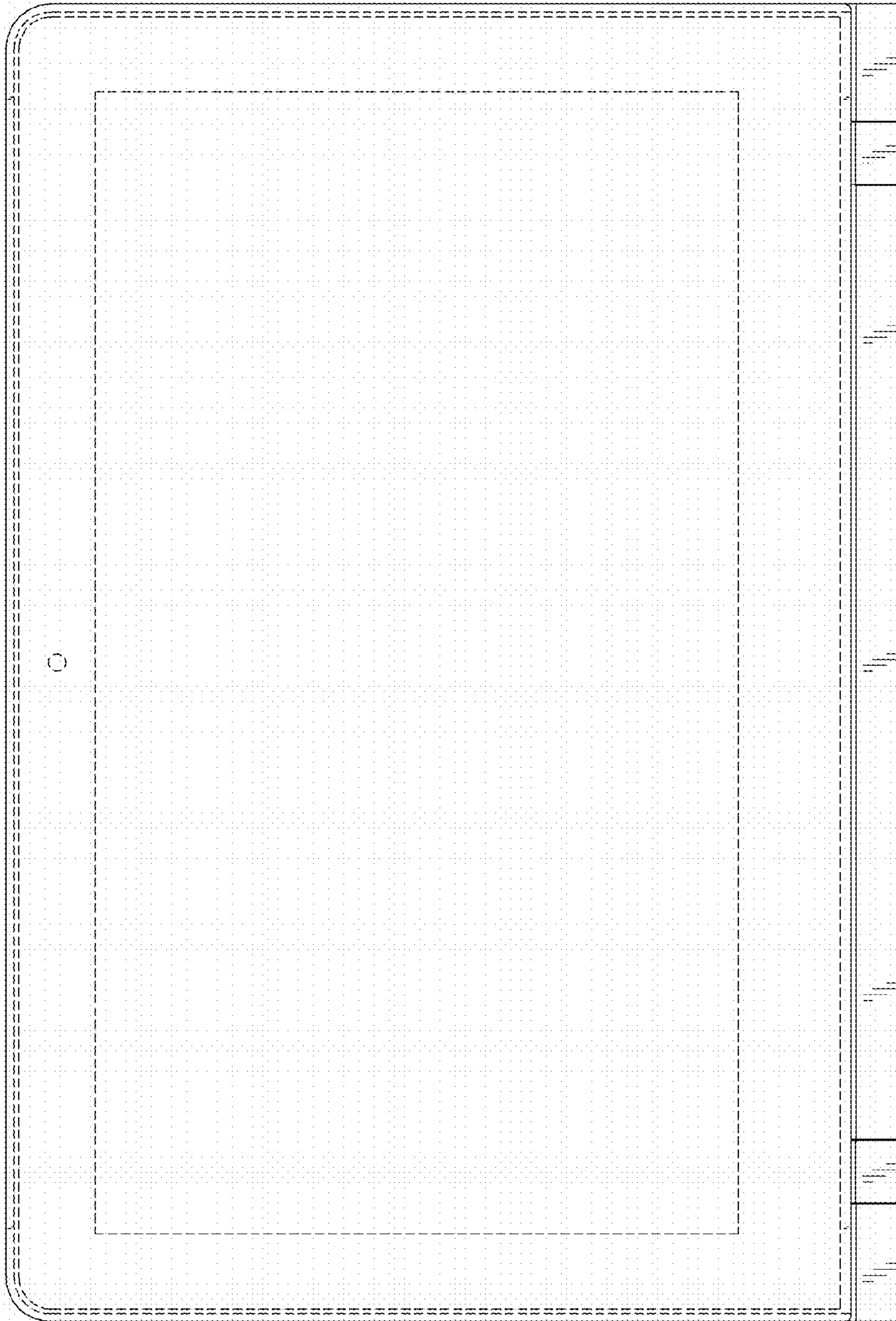


FIG. 2

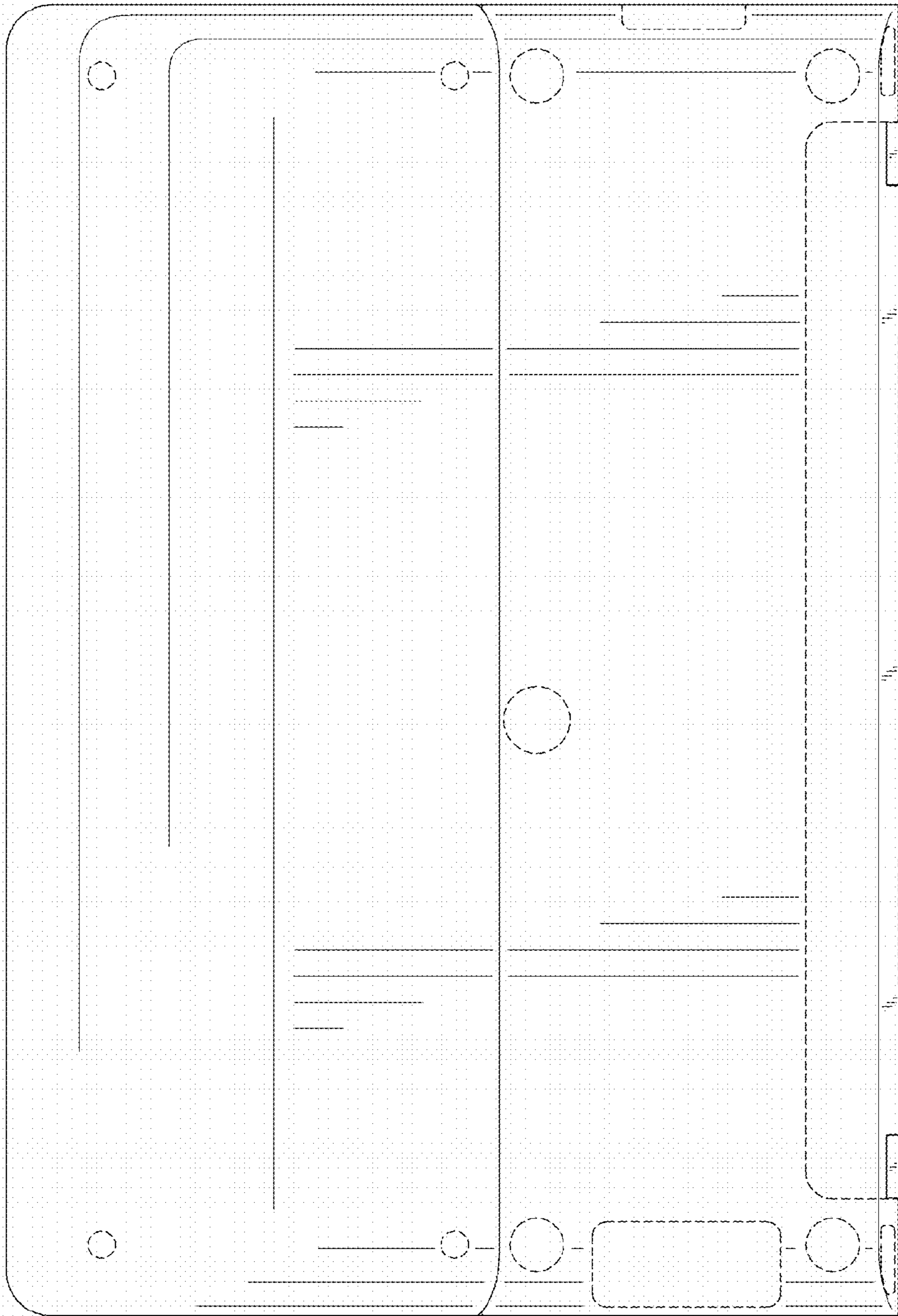


FIG. 3



FIG. 5

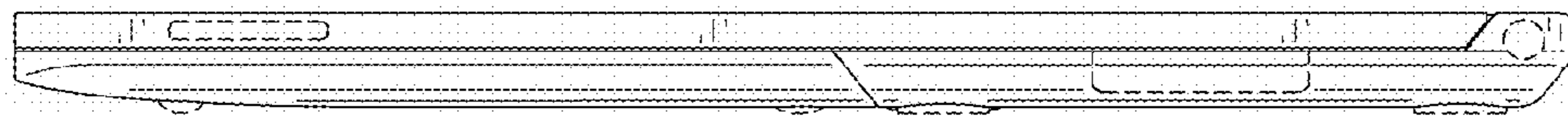


FIG. 4

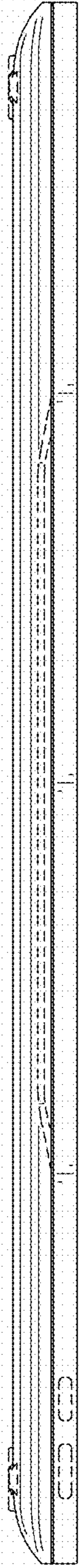


FIG. 6

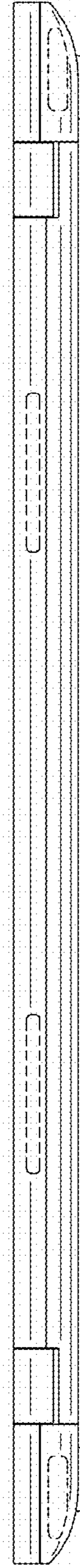


FIG. 7

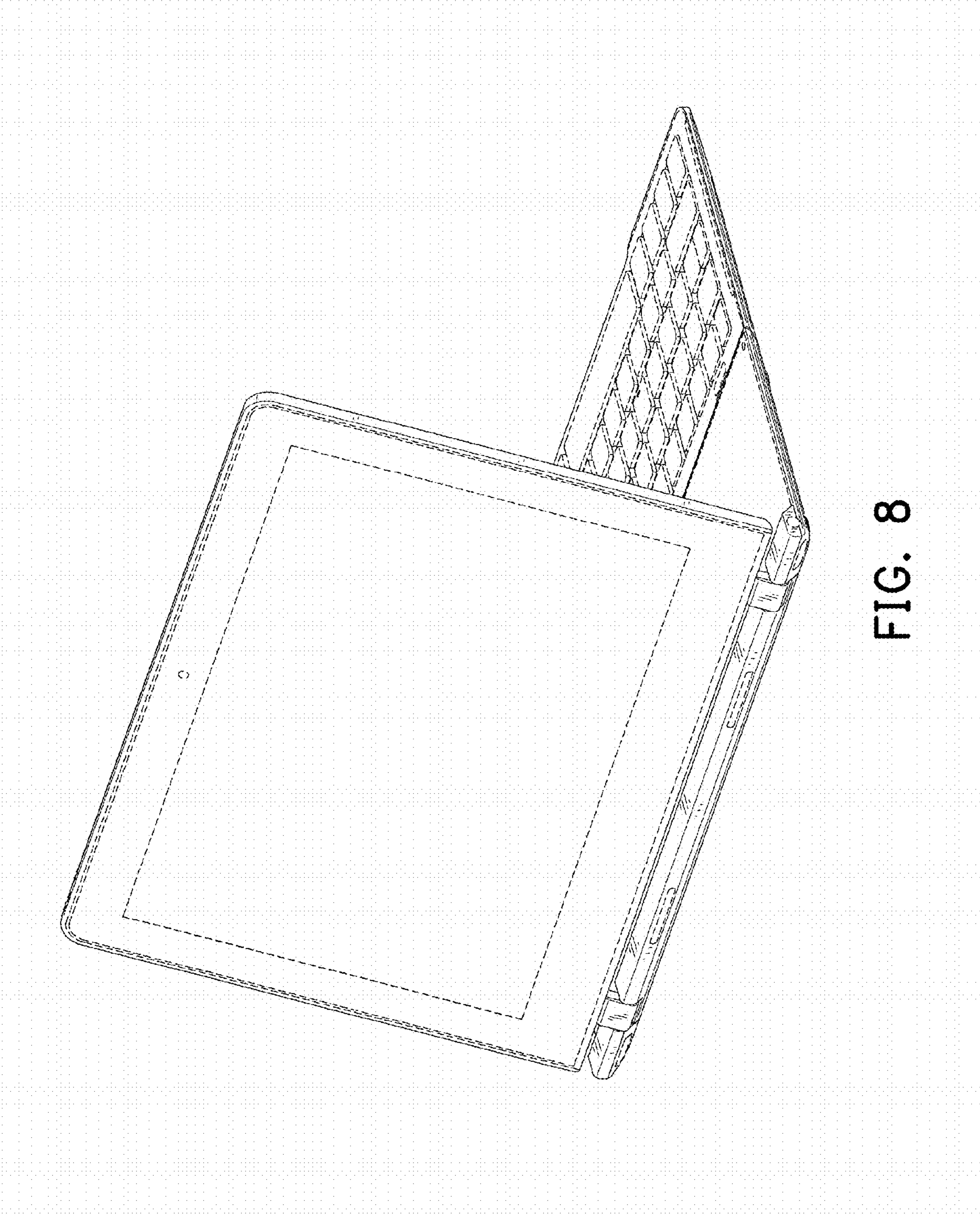


FIG. 8

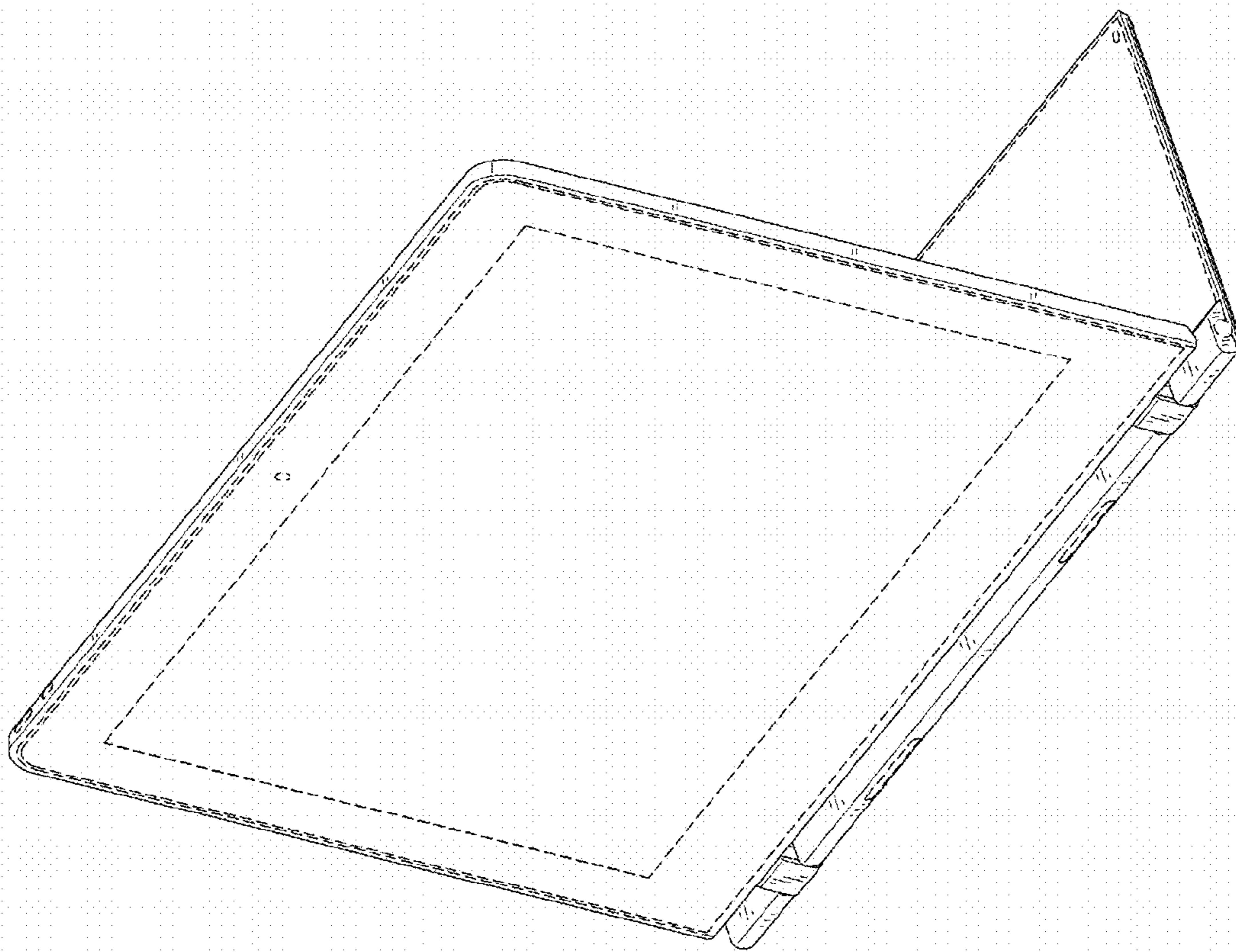


FIG. 9



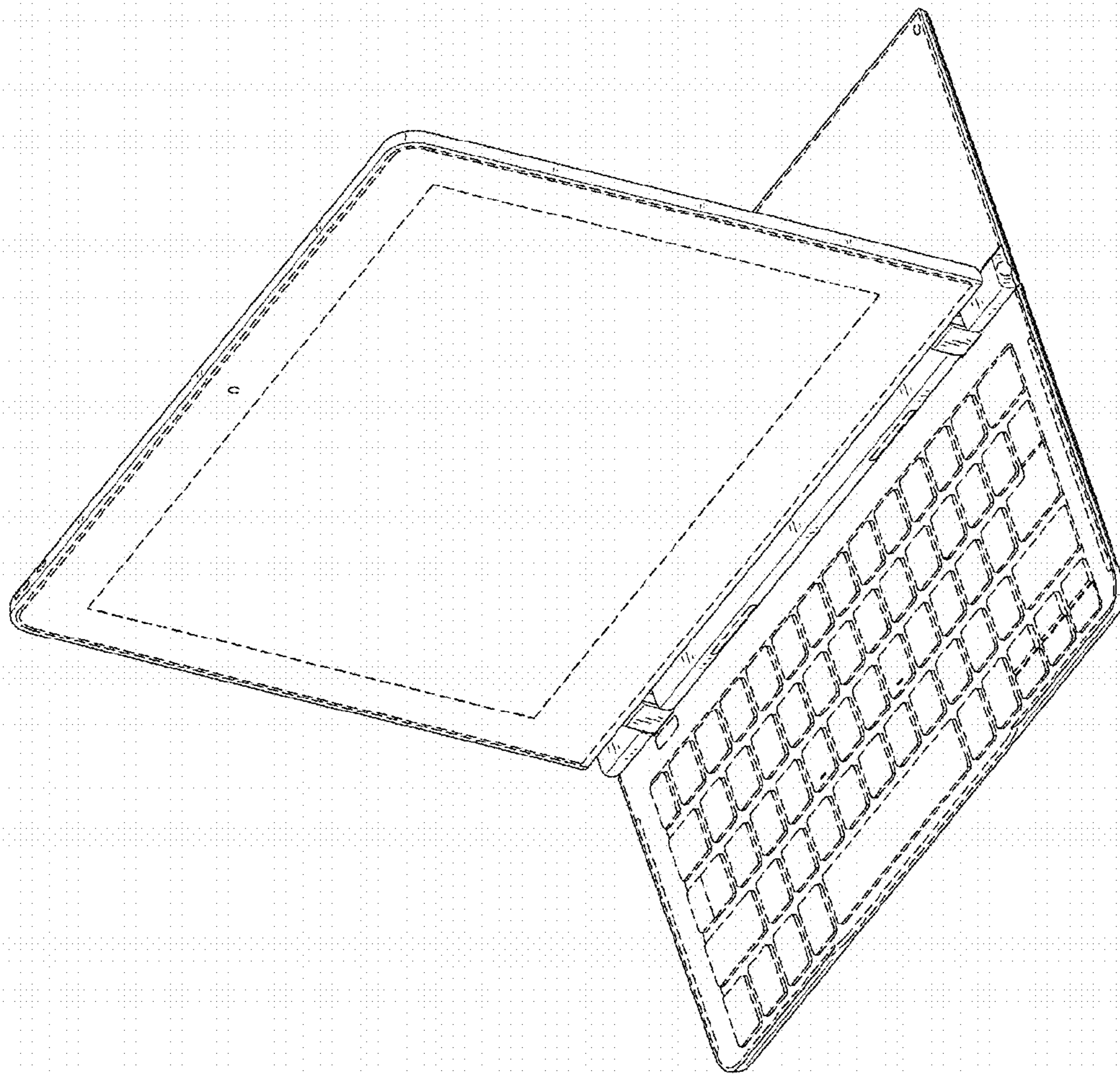


FIG. 10

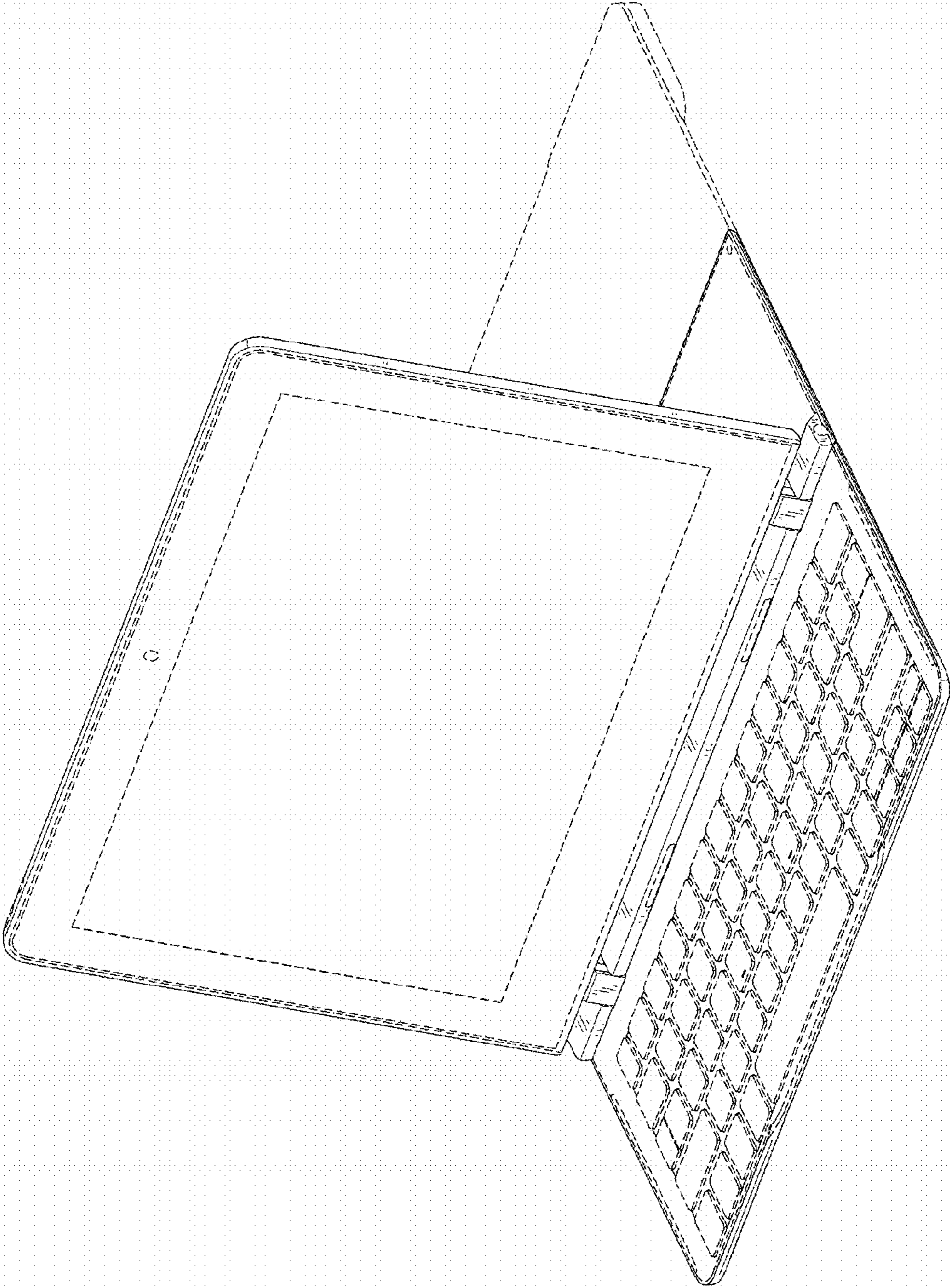


FIG. 11