



US00D708603S

(12) **United States Design Patent**  
**Kim**

(10) **Patent No.:** **US D708,603 S**

(45) **Date of Patent:** **\*\* Jul. 8, 2014**

(54) **MOBILE PHONE HOLDER**

(71) Applicant: **Kum Oh Electronics Co., Ltd.**,  
Bucheon-si (KR)

(72) Inventor: **Ki Sang Kim**, Siheung-si (KR)

(73) Assignee: **Kum Oh Electronics Co., Ltd.** (KR)

(\*\*) Term: **14 Years**

(21) Appl. No.: **29/456,912**

(22) Filed: **Jun. 5, 2013**

(51) **LOC (10) Cl.** ..... **14-03**

(52) **U.S. Cl.**  
USPC ..... **D14/253**

(58) **Field of Classification Search**  
USPC ..... D14/208, 209.1, 217, 238.1, 243,  
D14/250-253, 434, 440, 447, 496,  
D14/203.3-203.7, 248, 240, 341-347;  
D3/201, 215, 218, 226, 269, 273, 301,  
D3/303; D19/90; D6/553; 455/575.1,  
455/575.8; 206/305, 320; 320/108, 115;  
429/96; 220/4.02; 150/165;  
361/679.56, 679.3, 679.25, 816;  
379/426, 446, 455, 433.1; 248/309.1,  
248/371, 176.3, 668; 224/411; D12/223,  
D12/407

See application file for complete search history.

(56) **References Cited**

**U.S. PATENT DOCUMENTS**

D499,092 S \* 11/2004 Fan ..... D14/253  
D549,709 S \* 8/2007 Richter ..... D14/447

D590,184 S \* 4/2009 Barabas et al. .... D6/466  
8,099,138 B2 \* 1/2012 Piekarz ..... 455/569.2  
D667,003 S \* 9/2012 Richter ..... D14/253  
D669,065 S \* 10/2012 Fromm ..... D14/253  
D670,690 S \* 11/2012 Daniel et al. .... D14/253  
D671,110 S \* 11/2012 Choi ..... D14/253  
D683,724 S \* 6/2013 Wada ..... D14/251  
D685,380 S \* 7/2013 Richter ..... D14/447  
D685,804 S \* 7/2013 Richter ..... D14/447  
D696,241 S \* 12/2013 Paugh et al. .... D14/253  
2005/0236536 A1 \* 10/2005 Fan ..... 248/176.3

\* cited by examiner

*Primary Examiner* — Susan Bennett Hattan

*Assistant Examiner* — Janice Hallmark

(74) *Attorney, Agent, or Firm* — Cantor Colburn LLP

(57) **CLAIM**

The ornamental design for a mobile phone holder, as shown and described.

**DESCRIPTION**

FIG. 1 is a front side perspective view of a mobile phone holder showing my new design;  
FIG. 2 is a rear side perspective view thereof;  
FIG. 3 is a front view thereof;  
FIG. 4 is a rear side view thereof;  
FIG. 5 is a right side view thereof;  
FIG. 6 is a left side view thereof;  
FIG. 7 is a perspective view showing another embodiment thereof; and,  
FIG. 8 is another perspective view thereof in an alternative position when in use.  
The broken lines are shown for environmental structure when in use and form no part of the claimed design.

**1 Claim, 8 Drawing Sheets**

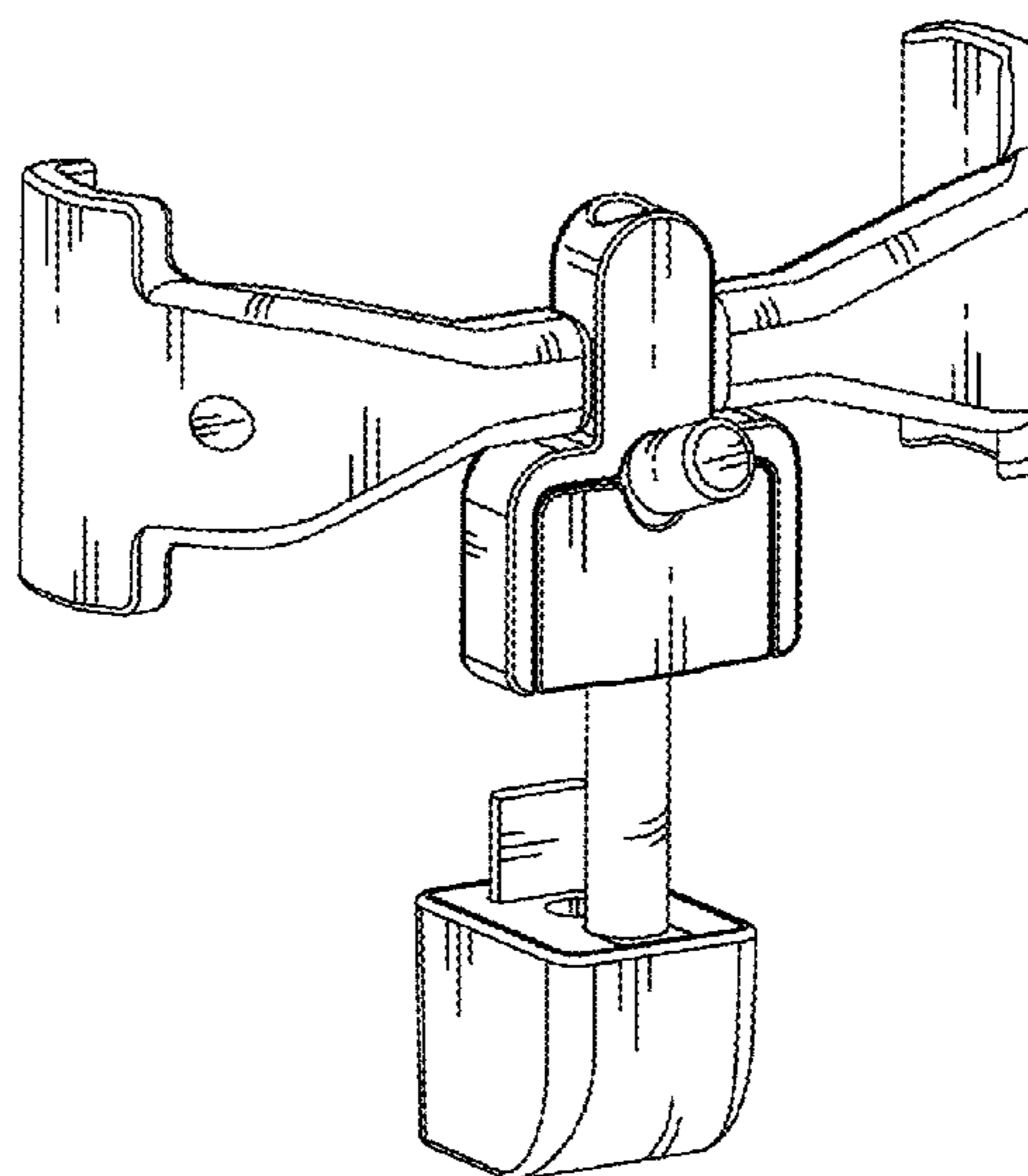
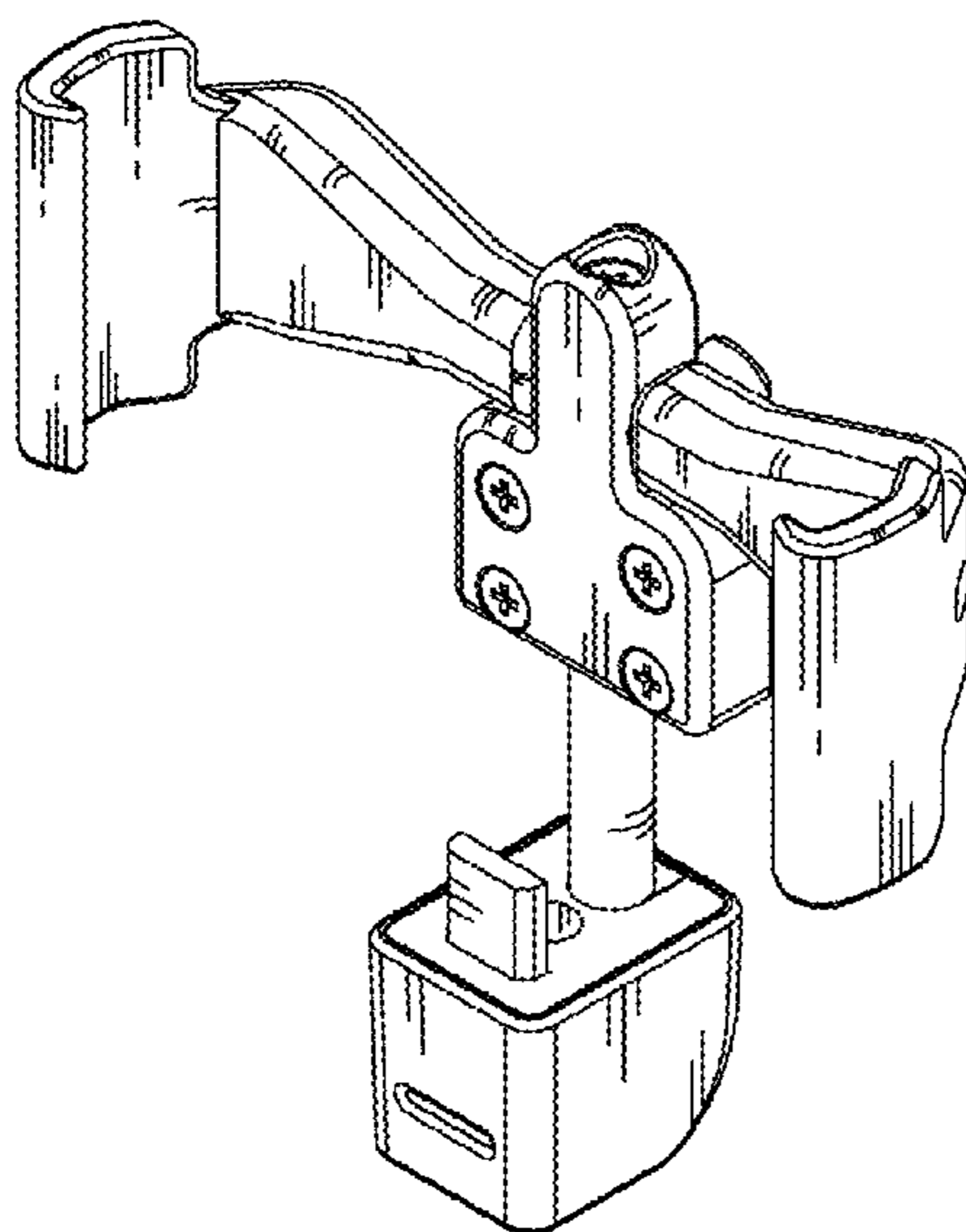


FIG. 1

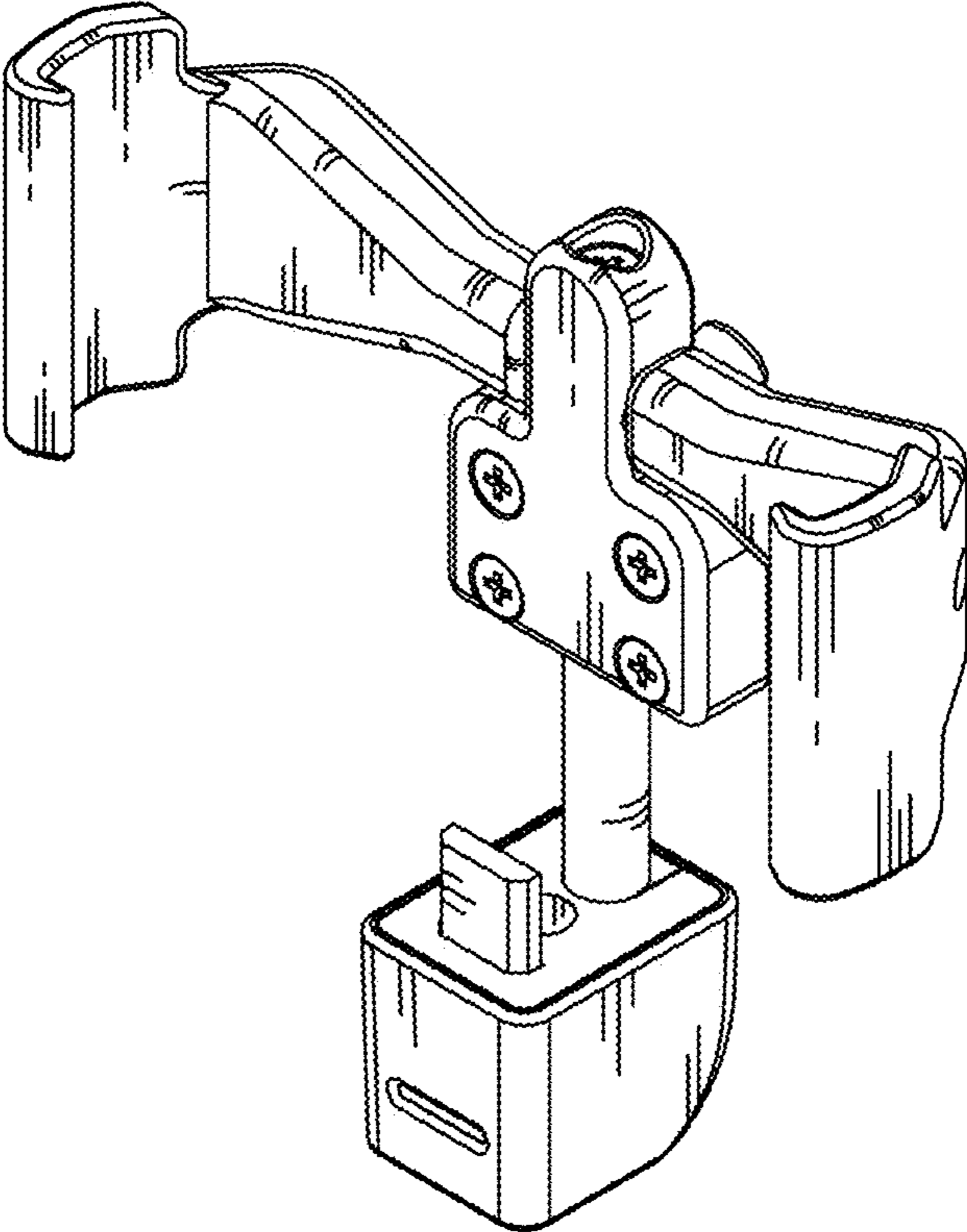


FIG. 2

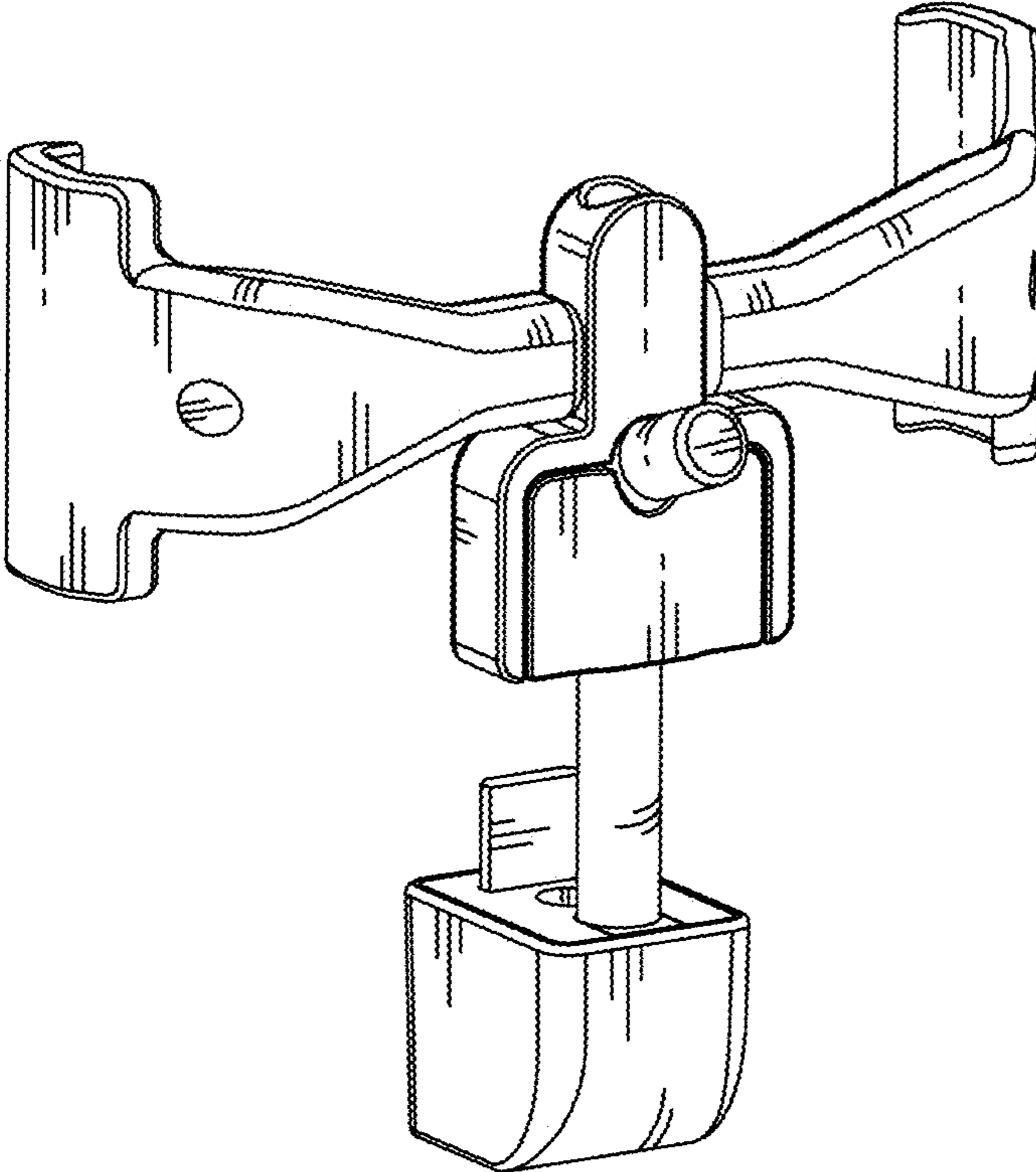


FIG. 3

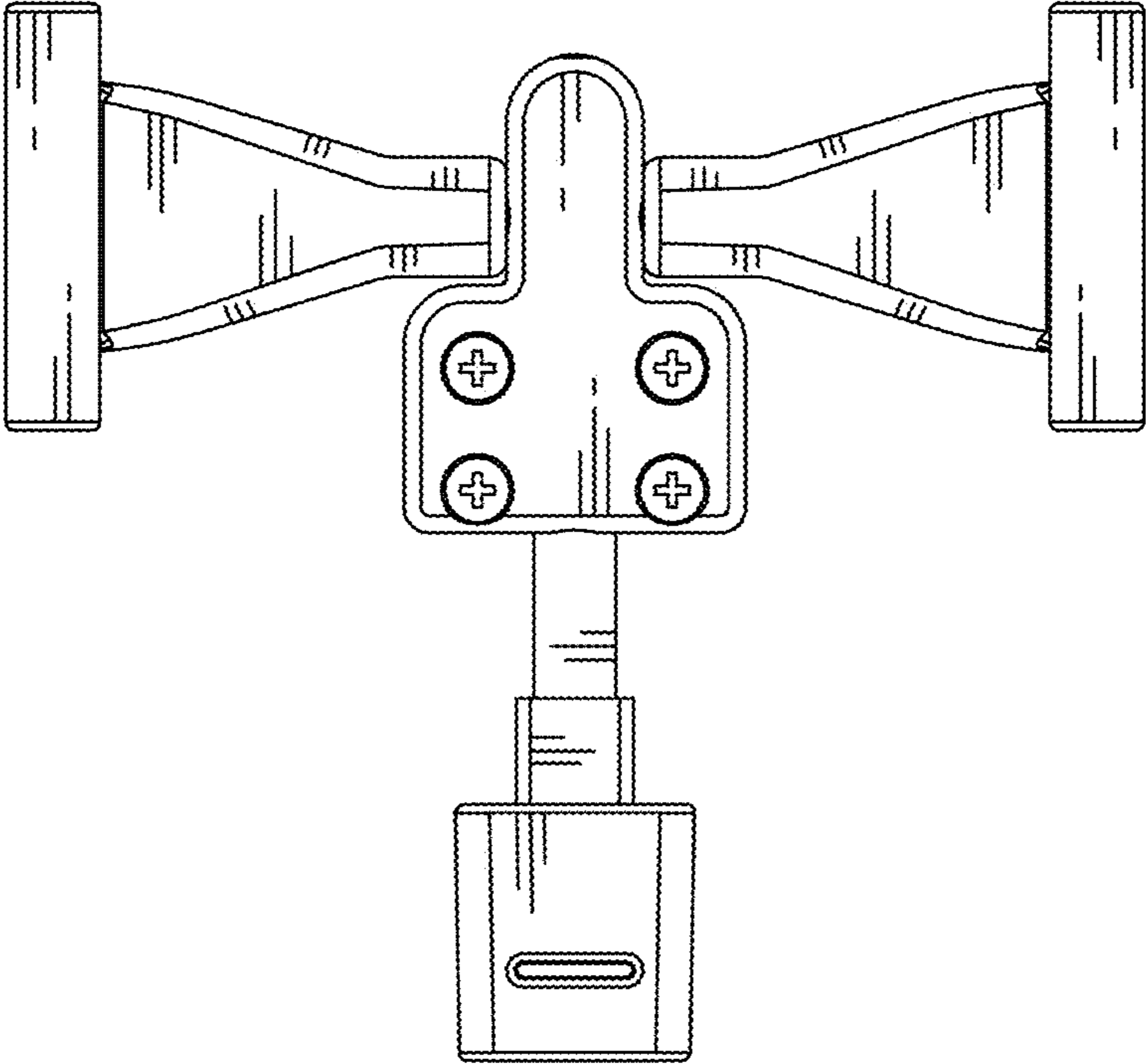


FIG. 4

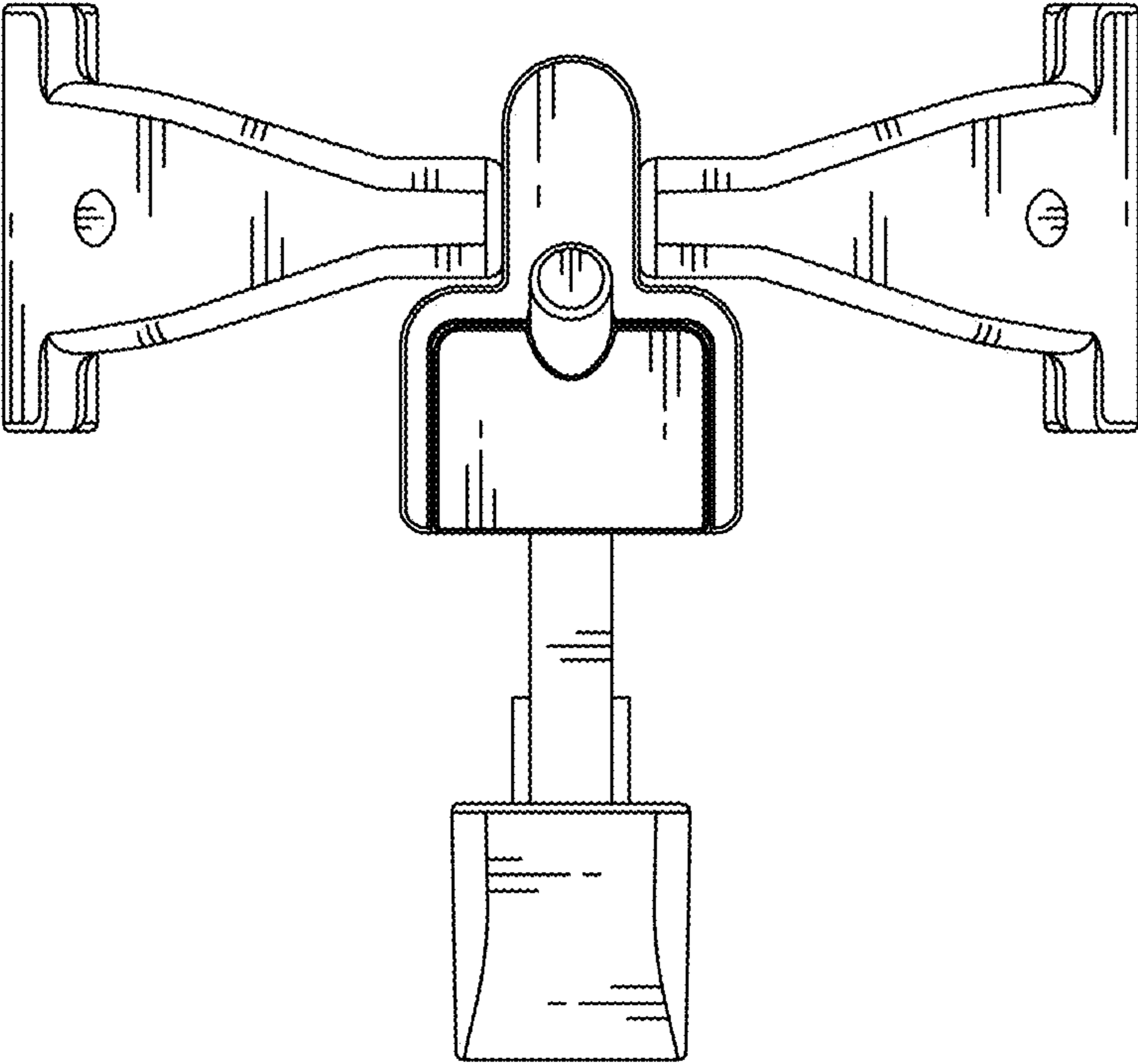


FIG. 5

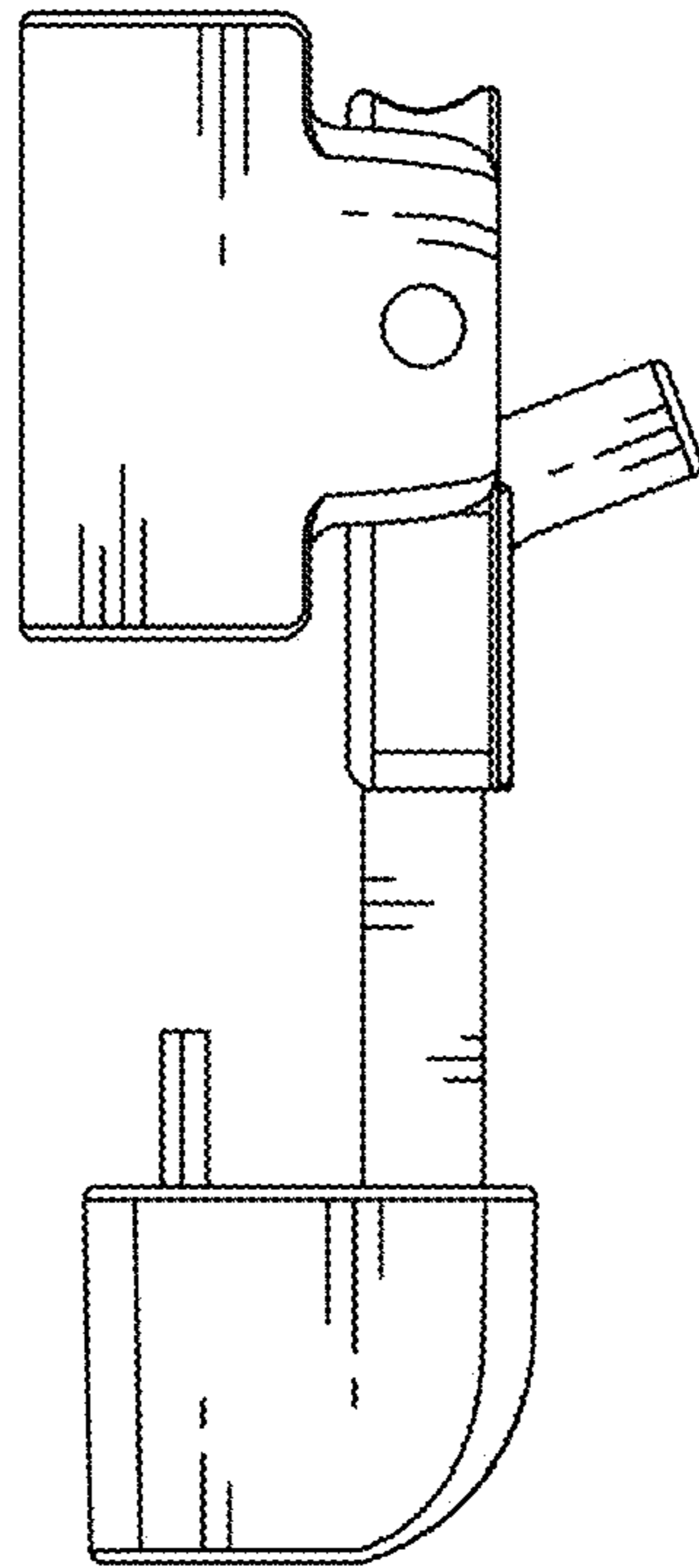


FIG. 6

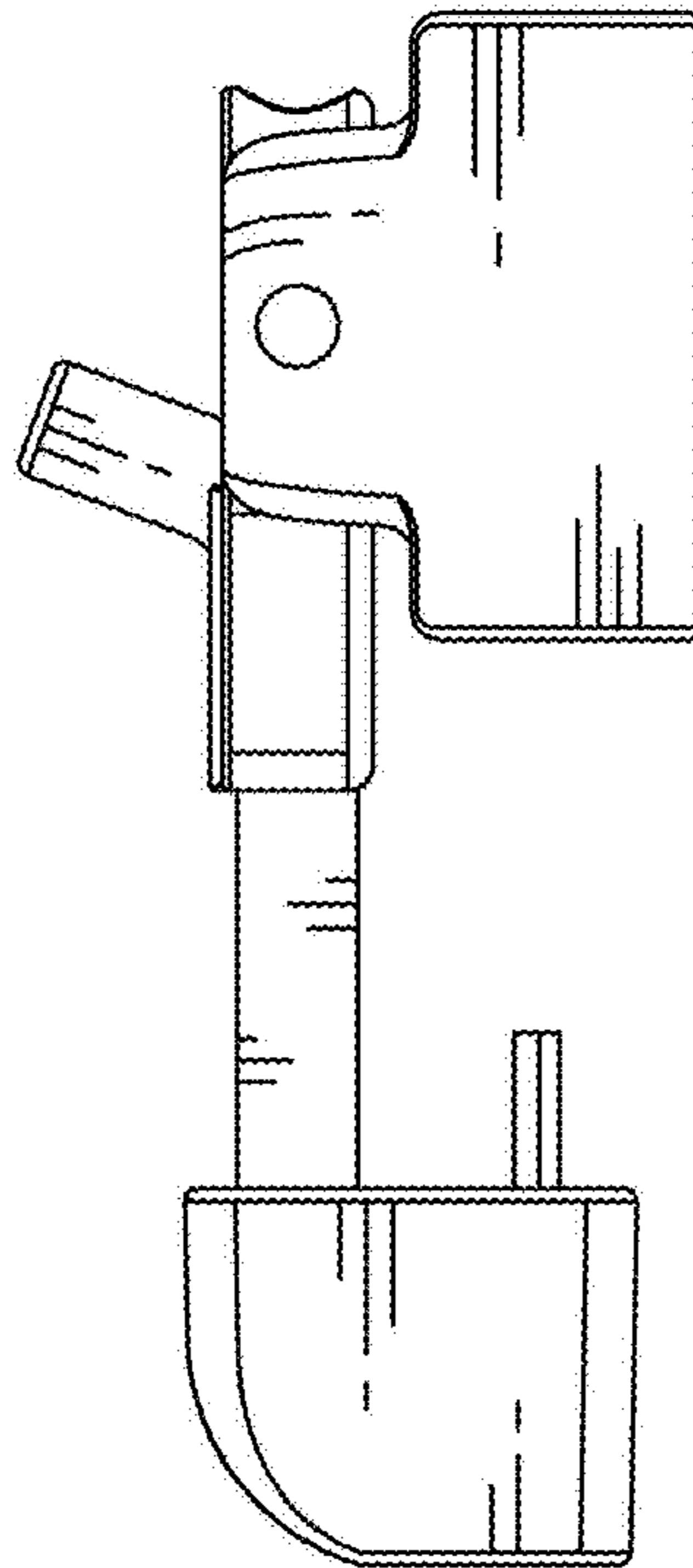




FIG. 7

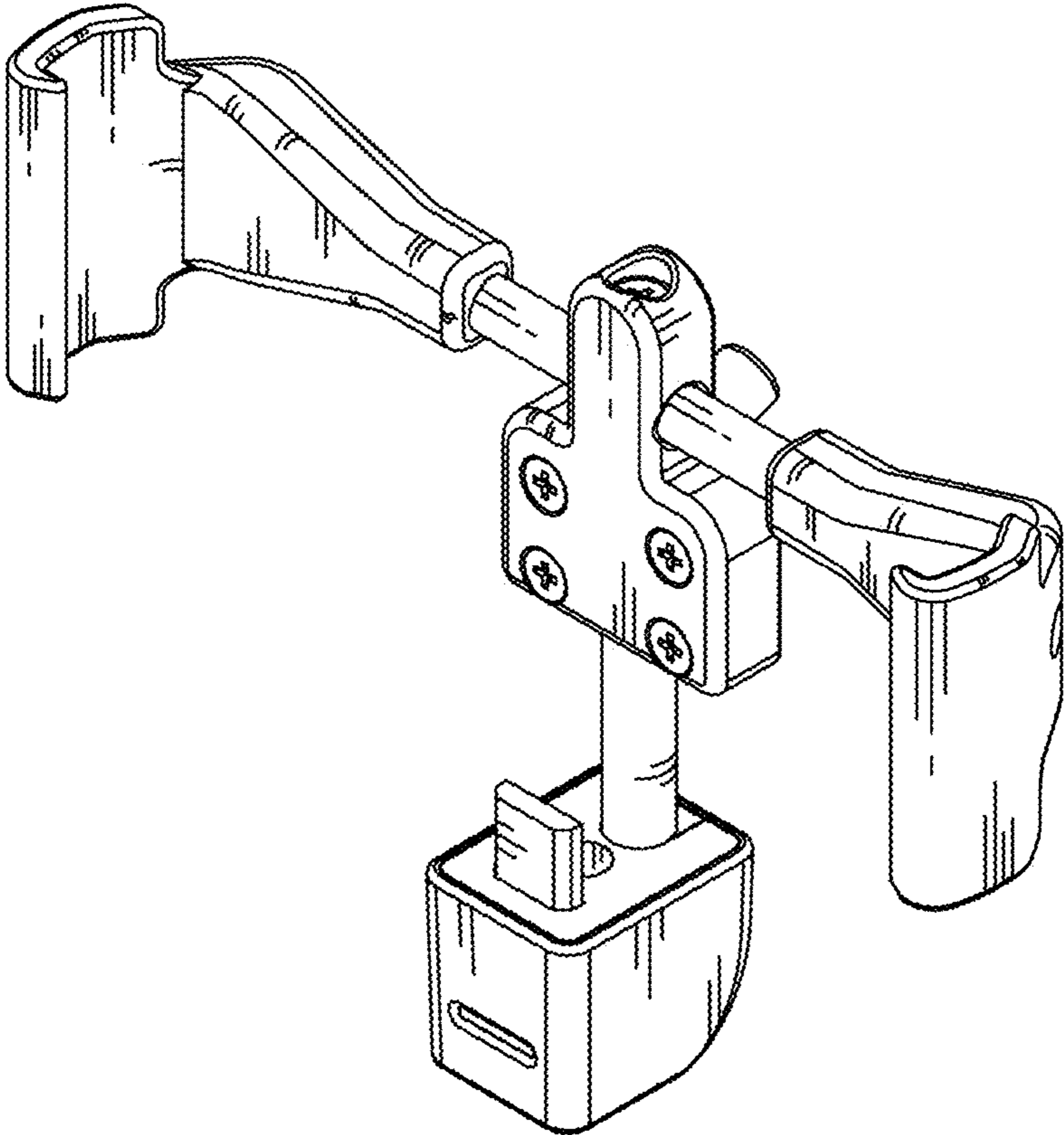




FIG. 8

