



US00D708600S

(12) **United States Design Patent**
Trewartha et al.

(10) **Patent No.:** **US D708,600 S**
(45) **Date of Patent:** **** Jul. 8, 2014**

(54) **MICROPHONE**

(75) Inventors: **Samuel Dean Trewartha**, Sydney (AU);
See Lih Ong, Sydney (AU); **Sunghoon Mun**, Sydney (AU); **Peter Noel Cooper**, Sydney (AU)

(73) Assignee: **Freedman Electronics Pty. Ltd.** (AU)

(**) Term: **14 Years**

(21) Appl. No.: **29/428,879**

(22) Filed: **Aug. 3, 2012**

(51) **LOC (10) Cl.** **14-01**

(52) **U.S. Cl.**
USPC **D14/225**

(58) **Field of Classification Search**
CPC H04R 19/04; H04R 1/083; H04R 1/086;
H04R 1/08; H04R 1/222; H04R 1/342;
H04M 1/19
USPC D14/155, 167, 225, 226, 227, 243, 249,
D14/497; D16/208; D17/99; D21/513;
381/369, 355, 92, 174; 446/416;
455/575.2; 181/158, 242
See application file for complete search history.

(56) **References Cited**

U.S. PATENT DOCUMENTS

| | | | | | | |
|-----------|---|---|---------|------------------|-------|---------|
| 2,910,539 | A | * | 10/1959 | Hartsfield | | 381/174 |
| 3,459,902 | A | * | 8/1969 | Warning | | 381/357 |
| D278,625 | S | * | 4/1985 | Mathiasen | | D14/228 |
| 4,789,044 | A | * | 12/1988 | Akino | | 181/158 |
| D313,802 | S | * | 1/1991 | Peiker | | D14/227 |
| D478,068 | S | * | 8/2003 | Sundquist et al. | | D14/228 |
| D479,227 | S | * | 9/2003 | Marshall | | D14/228 |
| D479,837 | S | * | 9/2003 | Sundquist et al. | | D14/228 |
| D530,706 | S | * | 10/2006 | Gustafson et al. | | D14/228 |
| D542,262 | S | * | 5/2007 | Oka | | D14/167 |

| | | | | | | |
|----------|---|---|---------|--------------|-------|---------|
| D578,994 | S | * | 10/2008 | Oka | | D14/167 |
| D581,898 | S | * | 12/2008 | Oka | | D14/167 |
| D623,172 | S | * | 9/2010 | Kondo et al. | | D14/227 |
| D649,524 | S | * | 11/2011 | Miyazaki | | D14/167 |
| D658,163 | S | * | 4/2012 | Iikura | | D14/225 |
| D683,714 | S | * | 6/2013 | Ito et al. | | D14/167 |

OTHER PUBLICATIONS

RODE, NT₄, Aug. 2002.
Zoom, H₄N, Jan. 2009.
Tascam, iM2, Sep. 2011.
Tascam, iM2X, Nov. 2012.

* cited by examiner

Primary Examiner — Thomas Johannes
Assistant Examiner — Holly E Thurman

(74) *Attorney, Agent, or Firm* — SAIDMAN DesignLaw Group

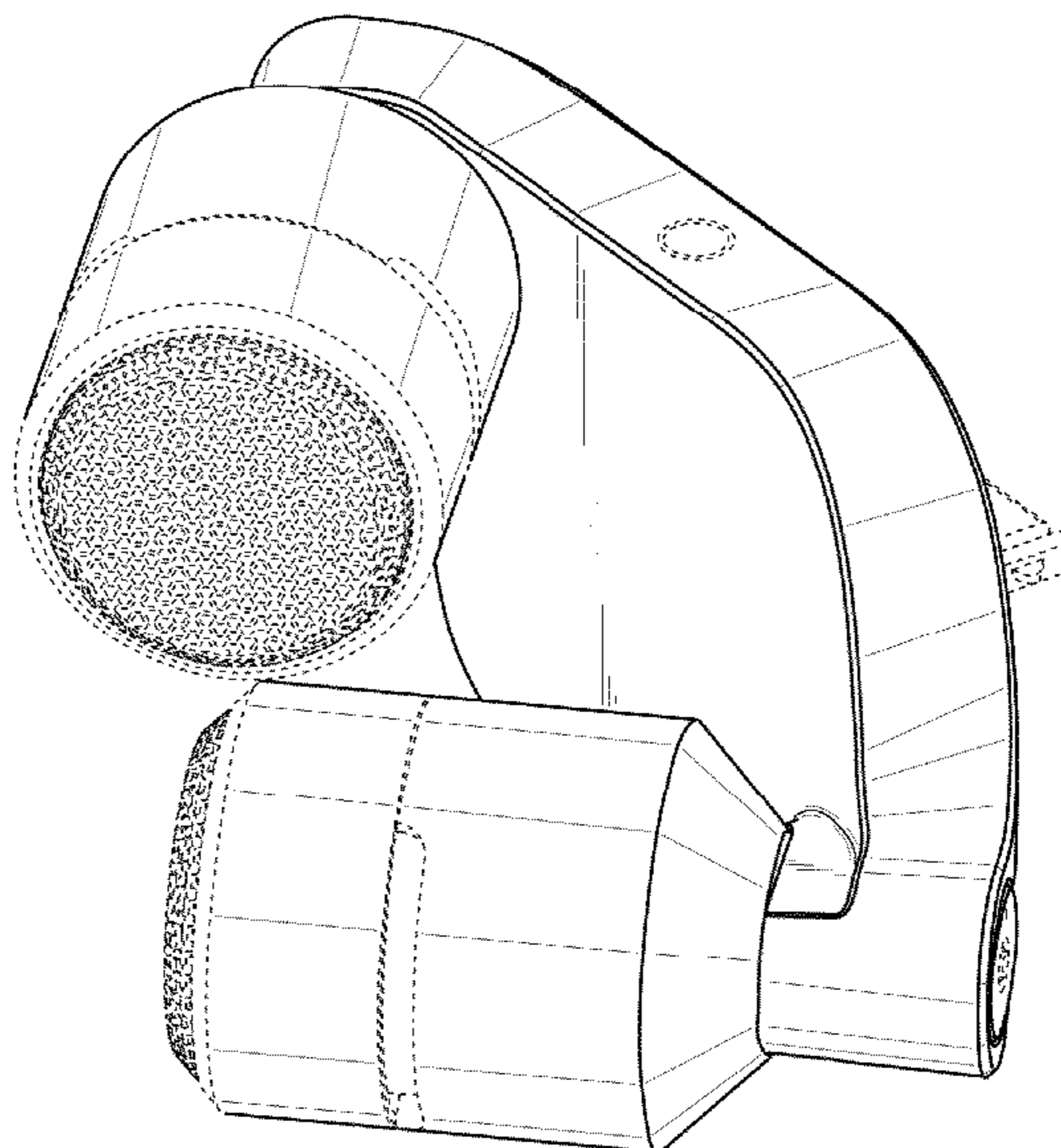
(57) **CLAIM**

The ornamental design for a microphone, as shown and described.

DESCRIPTION

FIG. 1 is a front perspective view of a microphone showing our new design;
FIG. 2 is a rear perspective view thereof;
FIG. 3 is a front view thereof;
FIG. 4 is a rear view thereof;
FIG. 5 is a left side view thereof;
FIG. 6 is a right side view thereof;
FIG. 7 is a top view thereof; and,
FIG. 8 is a bottom view thereof.
The broken lines illustrate environmental structure and form no part of the claimed design.
The relatively light shade lines on the surface portions indicate contour and not surface decoration.

1 Claim, 5 Drawing Sheets



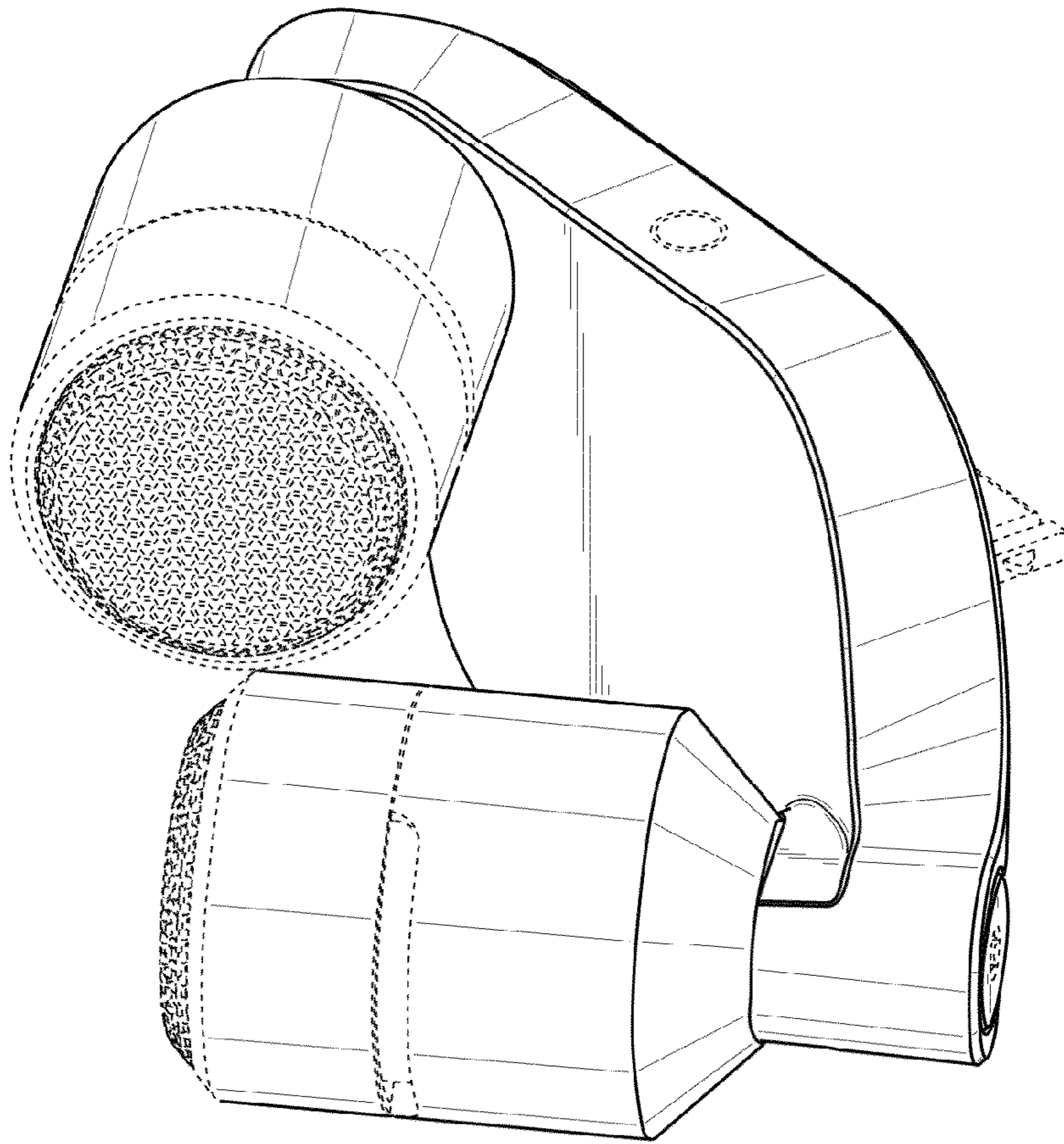


Fig. 1

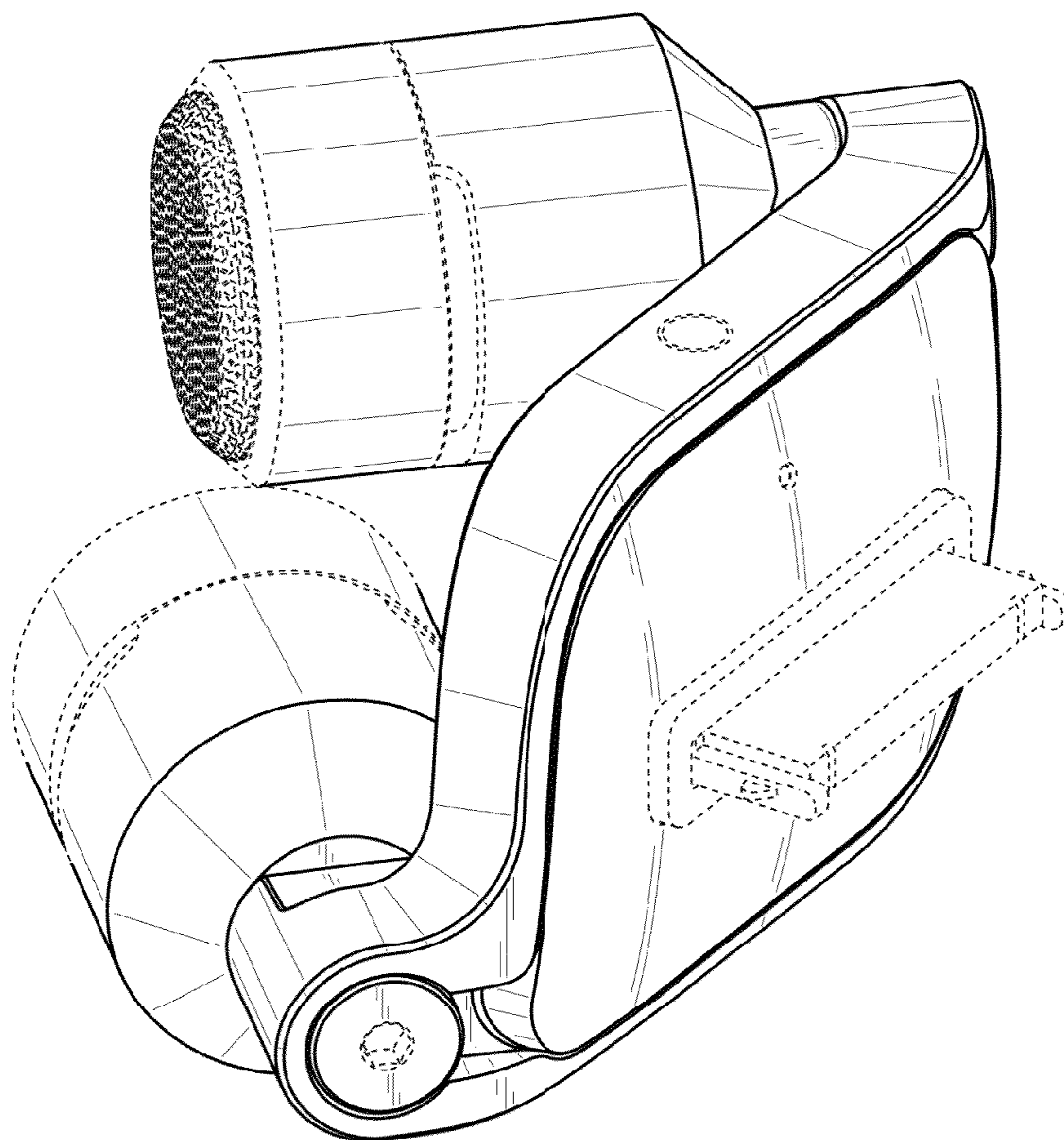


Fig. 2

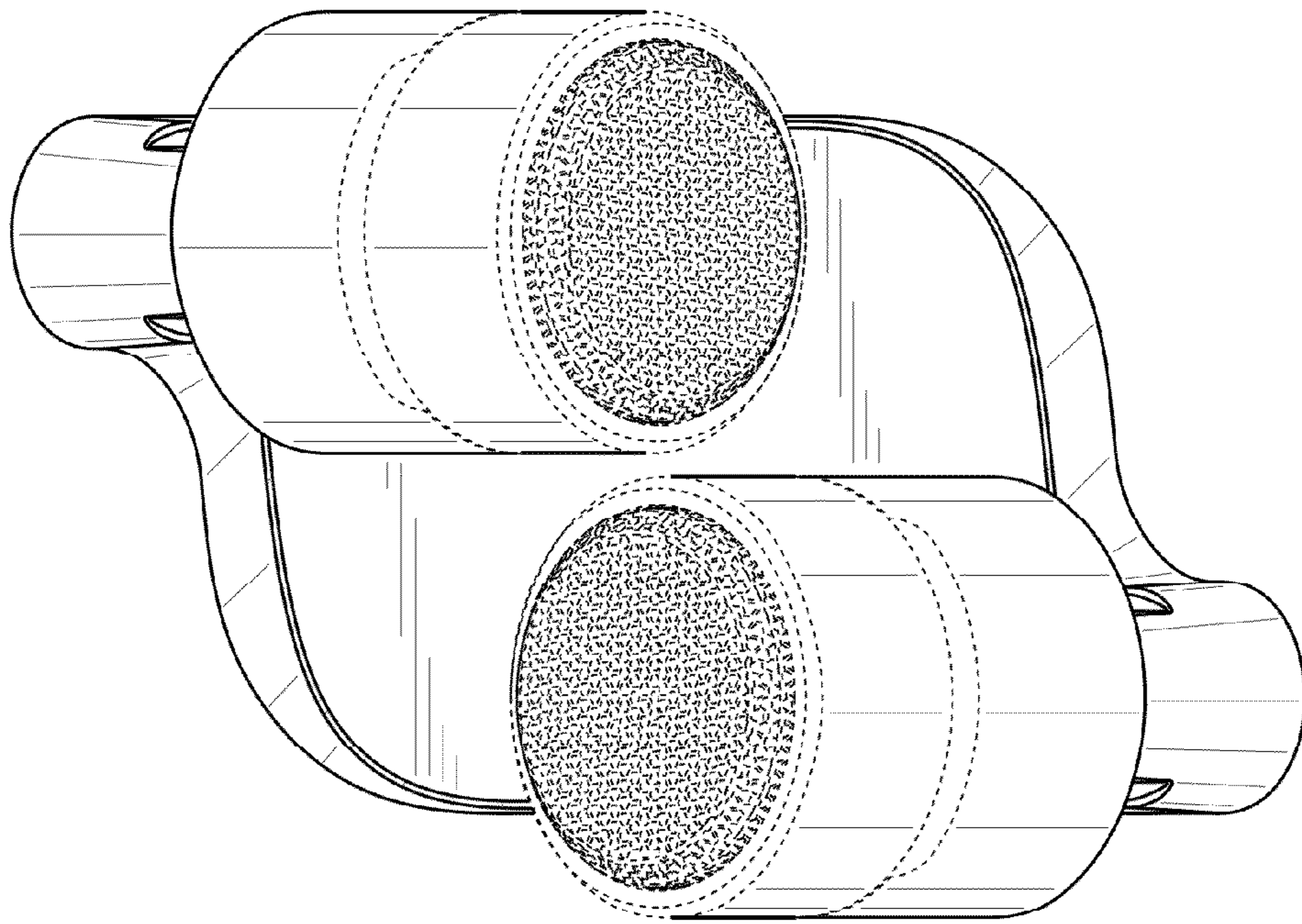


Fig. 3

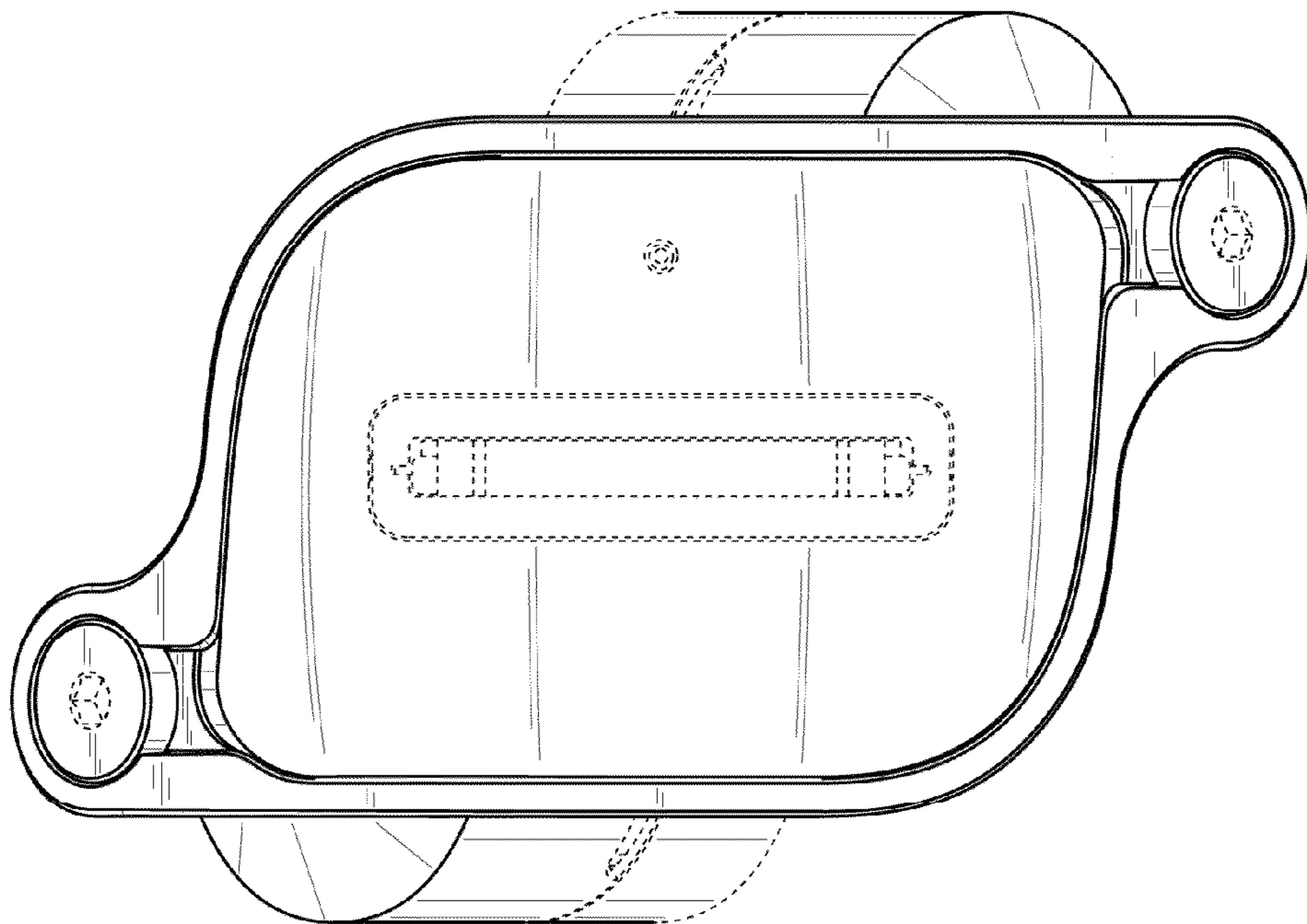


Fig. 4

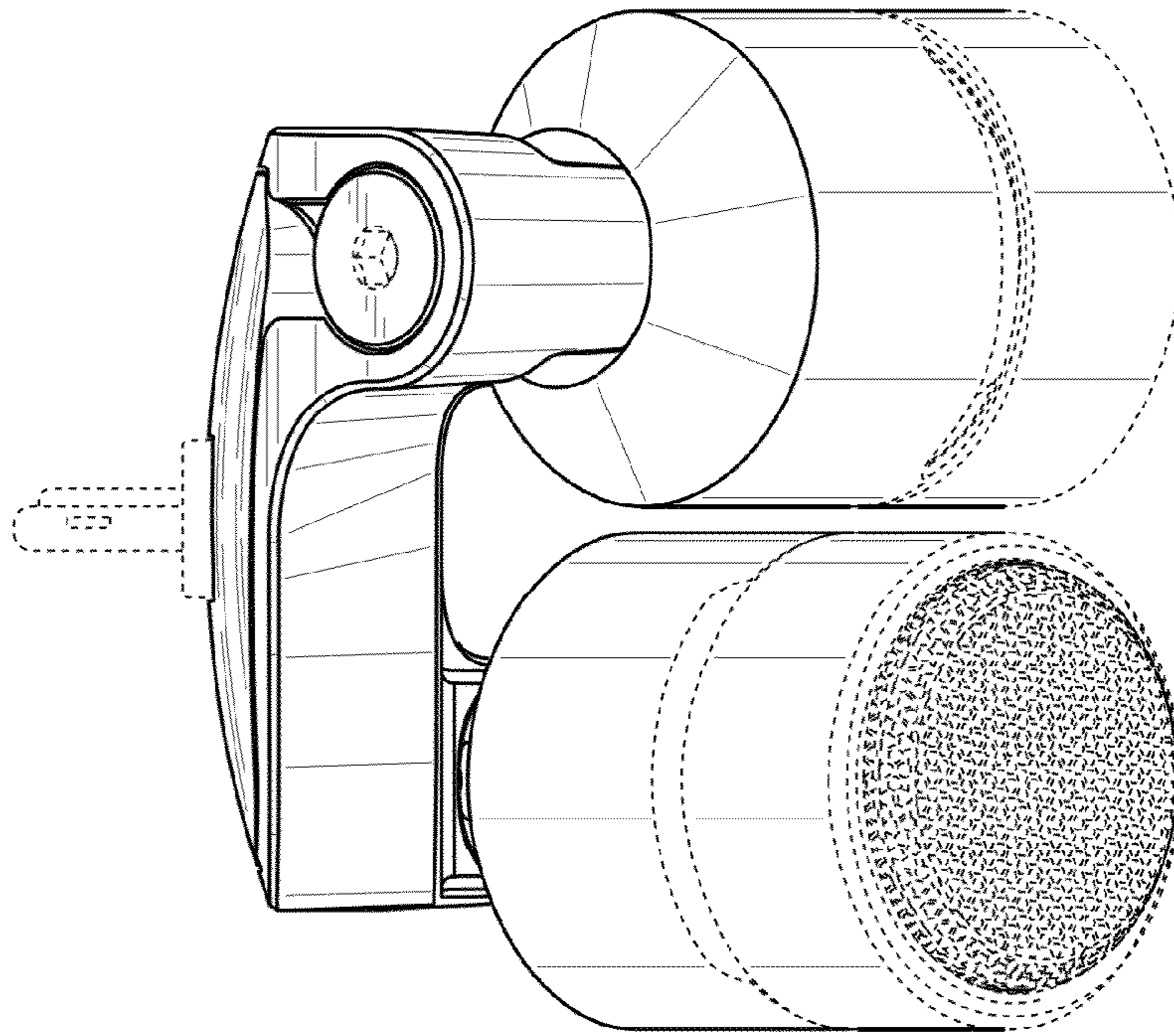


Fig. 5

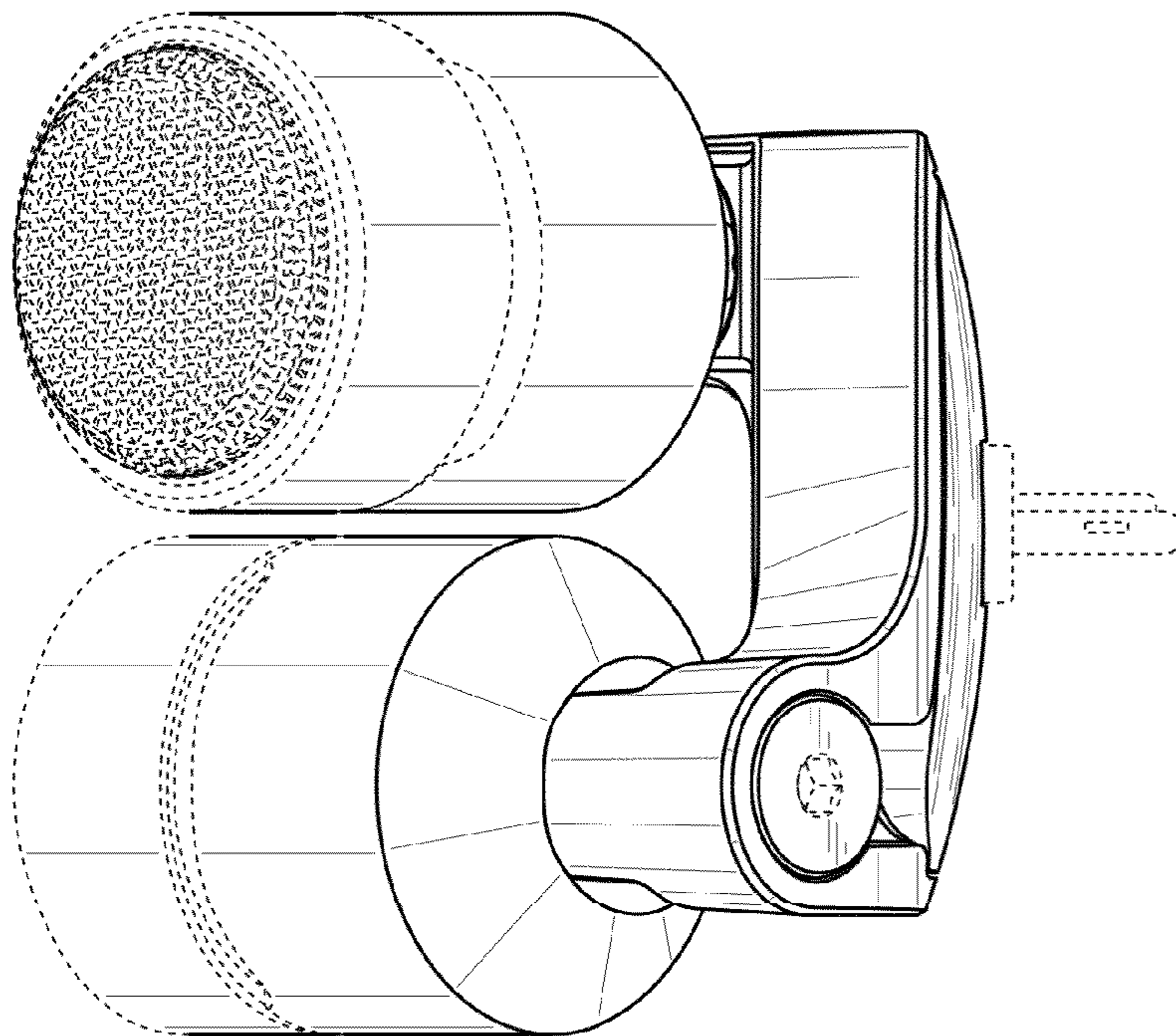


Fig. 6

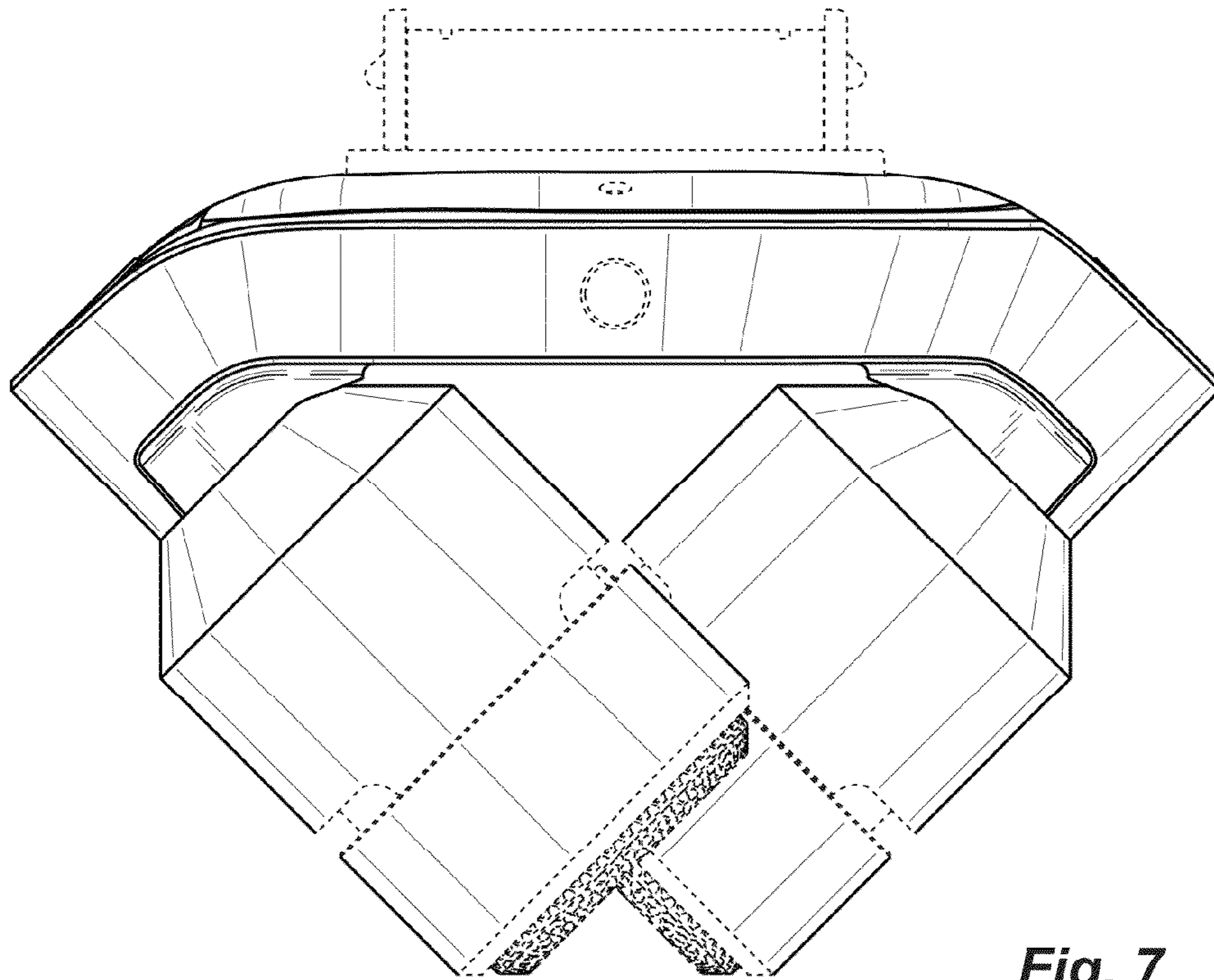


Fig. 7

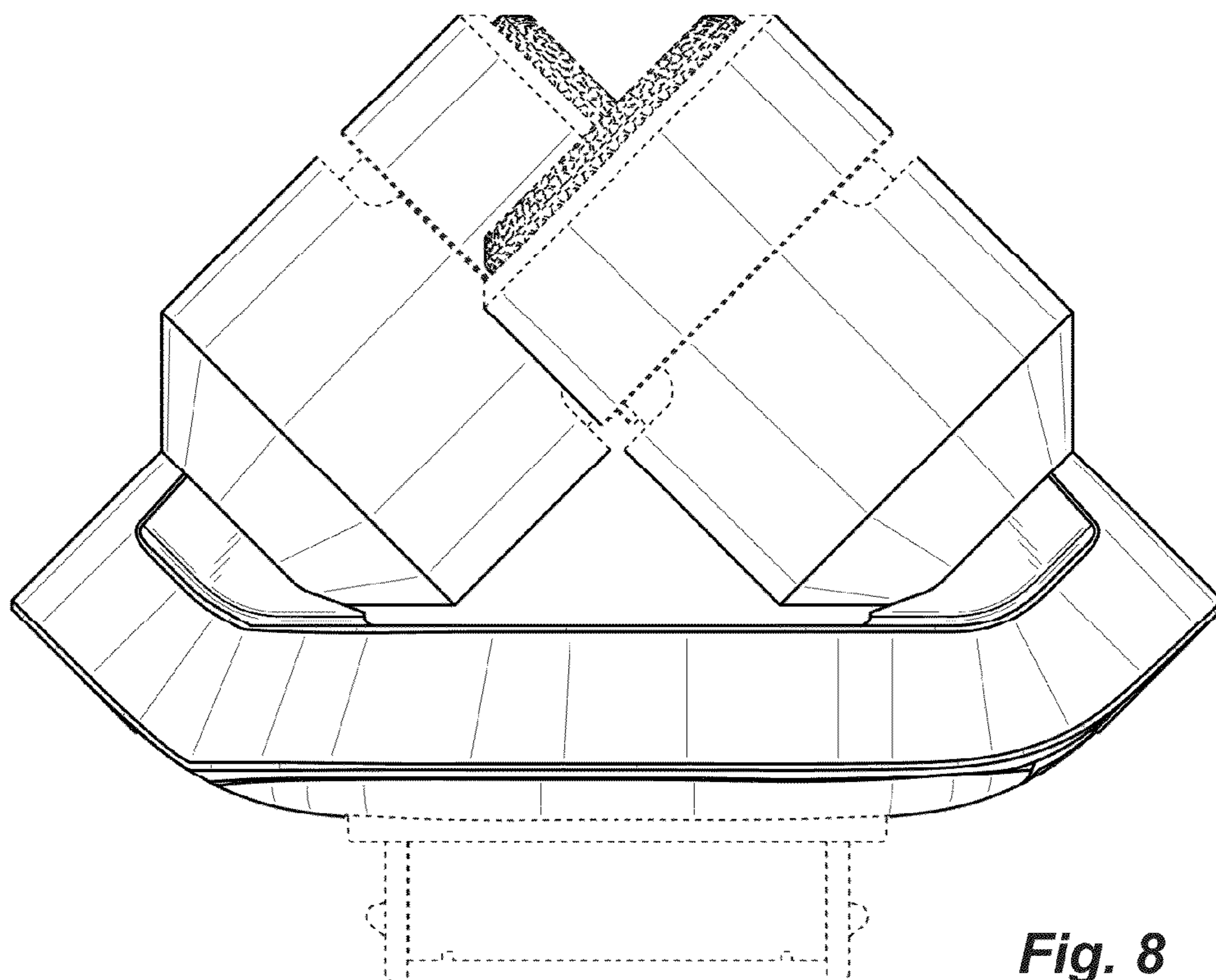


Fig. 8