



US00D708599S

(12) **United States Design Patent**
Ang

(10) **Patent No.:** **US D708,599 S**

(45) **Date of Patent:** **** Jul. 8, 2014**

(54) **EARPHONE**

(71) Applicant: **Creative Technology Ltd**, Singapore
(SG)

(72) Inventor: **Huang Pheng Vince Ang**, Singapore
(SG)

(73) Assignee: **Creative Technology Ltd**, Singapore
(SG)

(**) Term: **14 Years**

(21) Appl. No.: **29/459,470**

(22) Filed: **Jun. 28, 2013**

(30) **Foreign Application Priority Data**

Dec. 28, 2012 (SG) D2012/1539/J

(51) **LOC (10) Cl.** **14-01**

(52) **U.S. Cl.**

CPC **H04R 1/10** (2013.01)

USPC **D14/223**

(58) **Field of Classification Search**

CPC H04R 1/10

USPC D14/223, 205; 181/129, 130, 135;
379/430, 431; 381/380, 381; 455/90.3,
455/575.2

See application file for complete search history.

(56) **References Cited**

U.S. PATENT DOCUMENTS

4,133,984 A * 1/1979 Akiyama 381/328
4,620,605 A * 11/1986 Gore et al. 181/135
5,410,608 A * 4/1995 Lucey et al. 381/360
D554,627 S * 11/2007 Gondo et al. D14/223
D594,441 S * 6/2009 Lee et al. D14/205
D611,934 S * 3/2010 Schaefer D14/223
D616,874 S * 6/2010 Matsuoka D14/223

D627,764 S * 11/2010 Tsai et al. D14/223
D629,793 S * 12/2010 Goransson D14/223
D631,034 S * 1/2011 Yeo D14/205
D632,677 S * 2/2011 Brown et al. D14/223
D637,999 S * 5/2011 Brunner et al. D14/205
D641,010 S * 7/2011 Kwon D14/223
D643,416 S * 8/2011 Chong et al. D14/223
D652,822 S * 1/2012 Lee et al. D14/223
D660,292 S * 5/2012 Rautiainen D14/223
D660,826 S * 5/2012 Brunner et al. D14/223
D666,581 S * 9/2012 Perez D14/223
D674,377 S * 1/2013 Schaefer D14/223
D674,904 S * 1/2013 Aunio D24/210
D685,767 S * 7/2013 Kelly et al. D14/223
D685,769 S * 7/2013 Mogili D14/223
D697,058 S * 1/2014 Thompson et al. D14/223
D698,761 S * 2/2014 Bao D14/223
2012/0087532 A1 * 4/2012 Yang 381/380

* cited by examiner

Primary Examiner — Paula Greene

(74) *Attorney, Agent, or Firm* — Russell Swerdon; Desmond Gean

(57) **CLAIM**

The ornamental design for an earphone, substantially as shown and described.

DESCRIPTION

FIG. 1 is a front top left perspective view of an earphone showing our new design, the cord is drawn broken away for indeterminate length;

FIG. 2 is a rear top right side perspective view thereof;

FIG. 3 is a front elevational view thereof;

FIG. 4 is a rear elevational view thereof;

FIG. 5 is left side elevational view thereof;

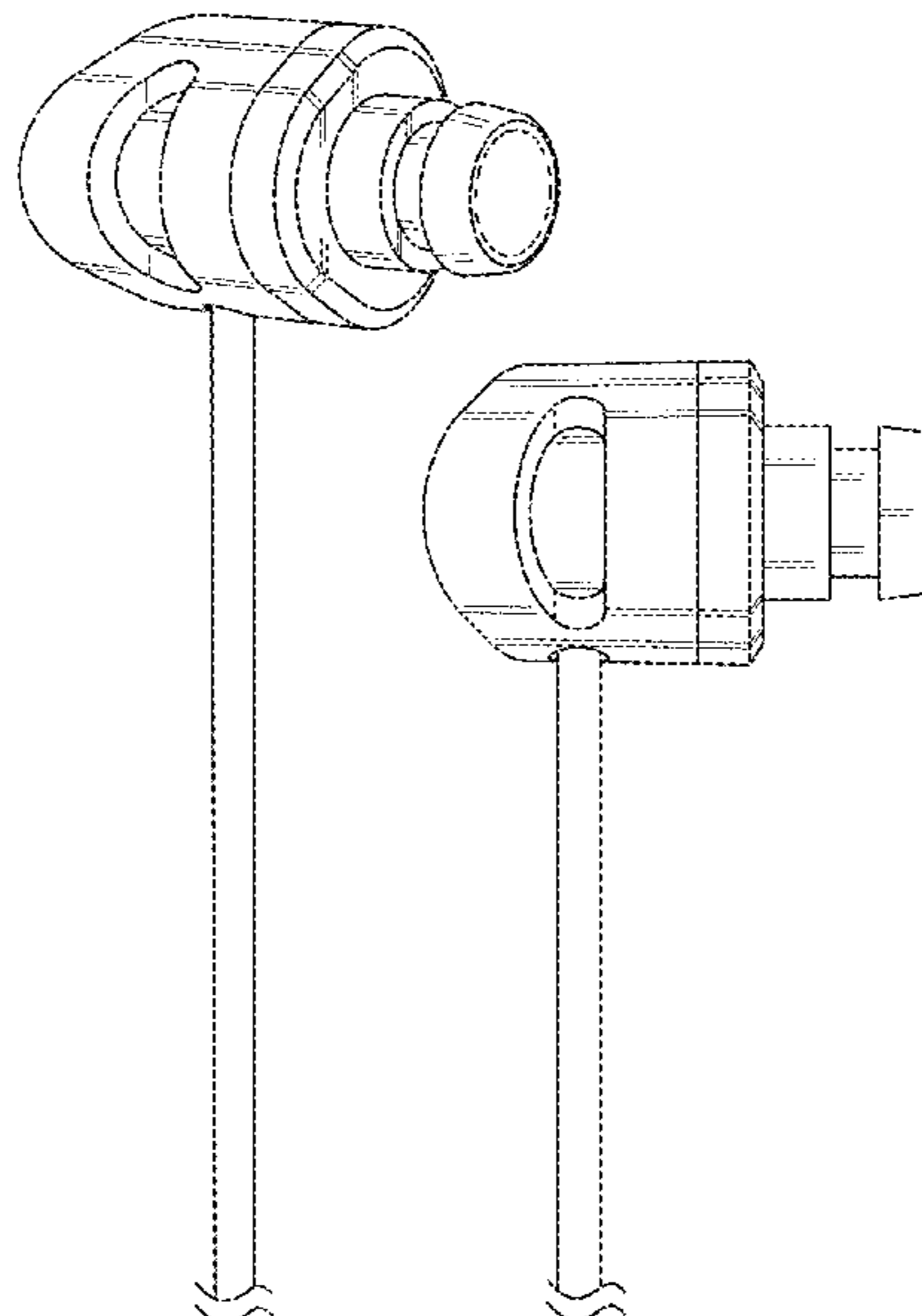
FIG. 6 is a right side elevational view thereof;

FIG. 7 is a top plan view thereof; and,

FIG. 8 is a bottom plan view thereof.

The broken lines form no part of the claimed design.

1 Claim, 8 Drawing Sheets



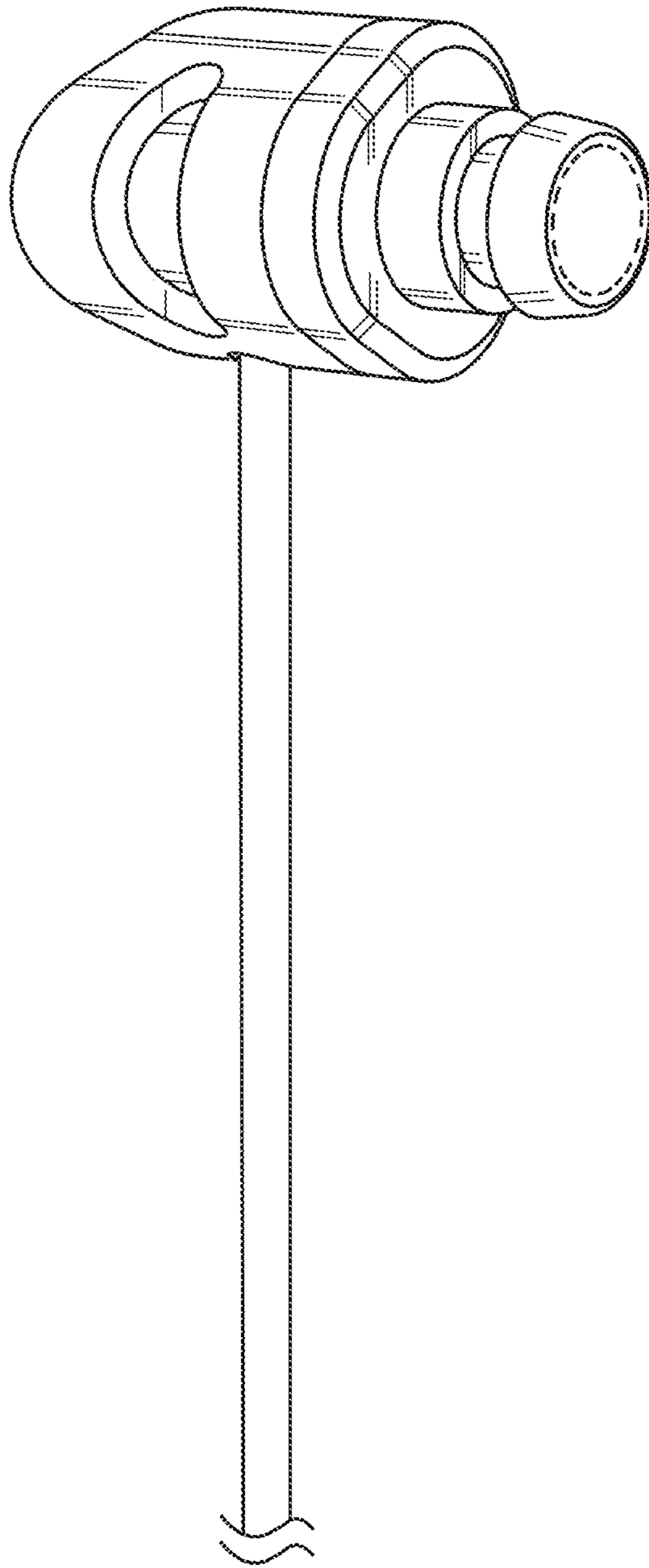


FIG. 1

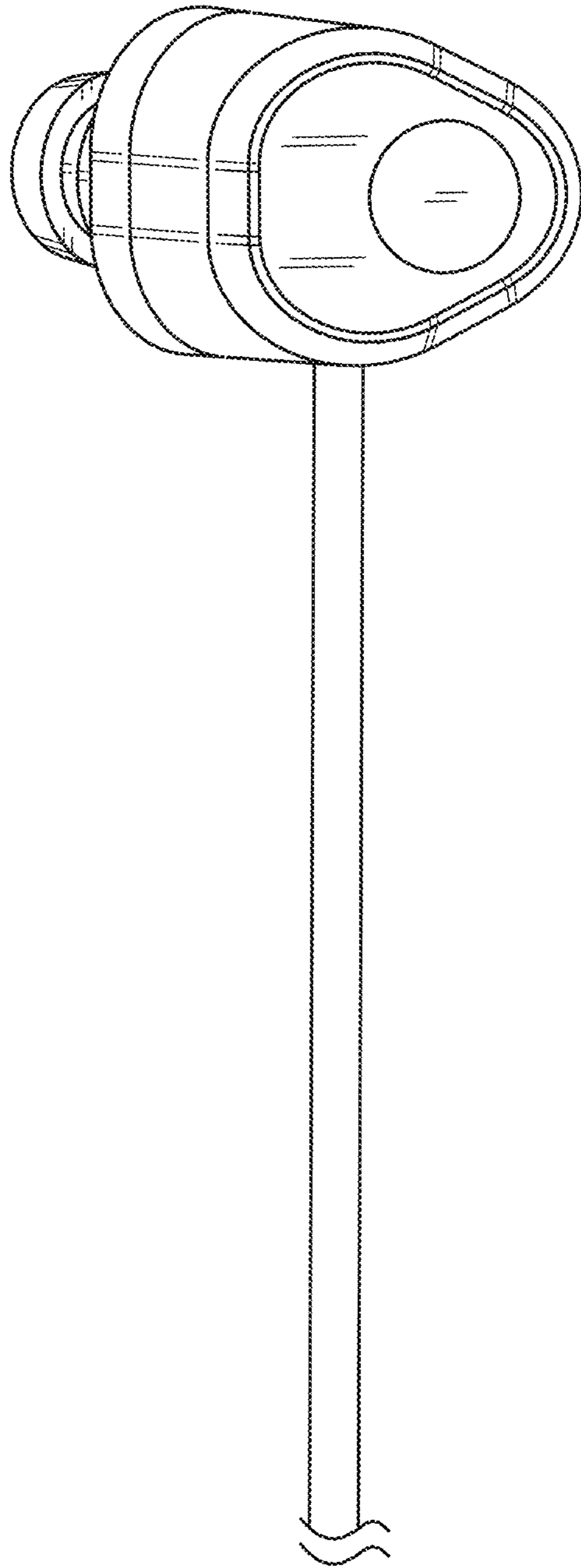


FIG. 2

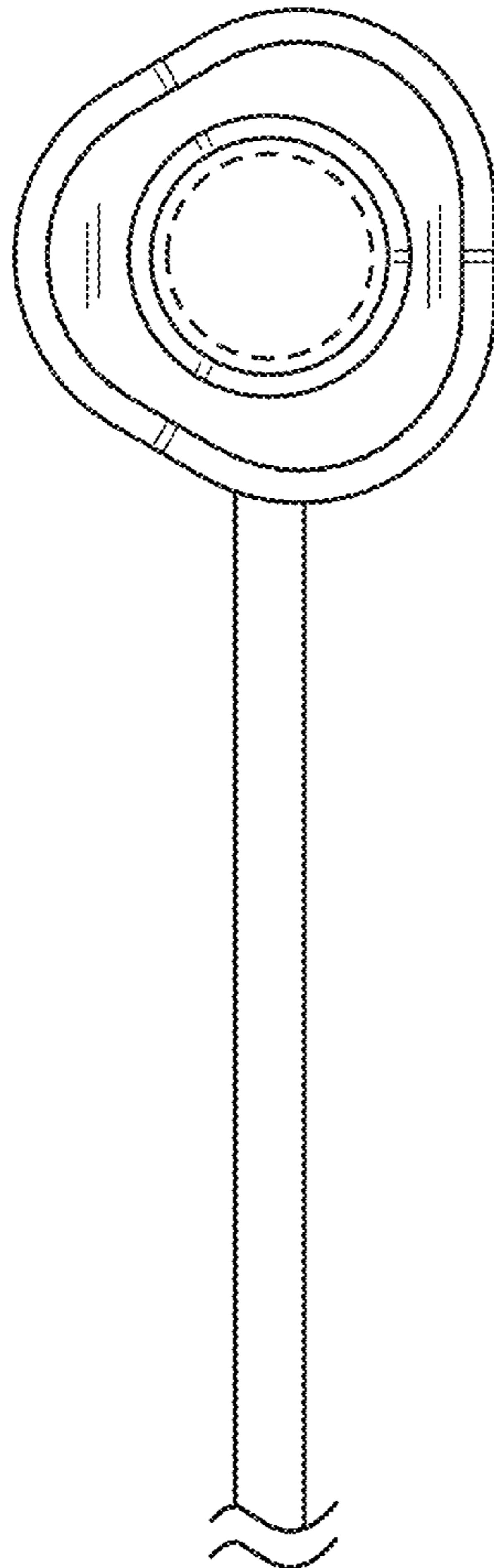


FIG. 3

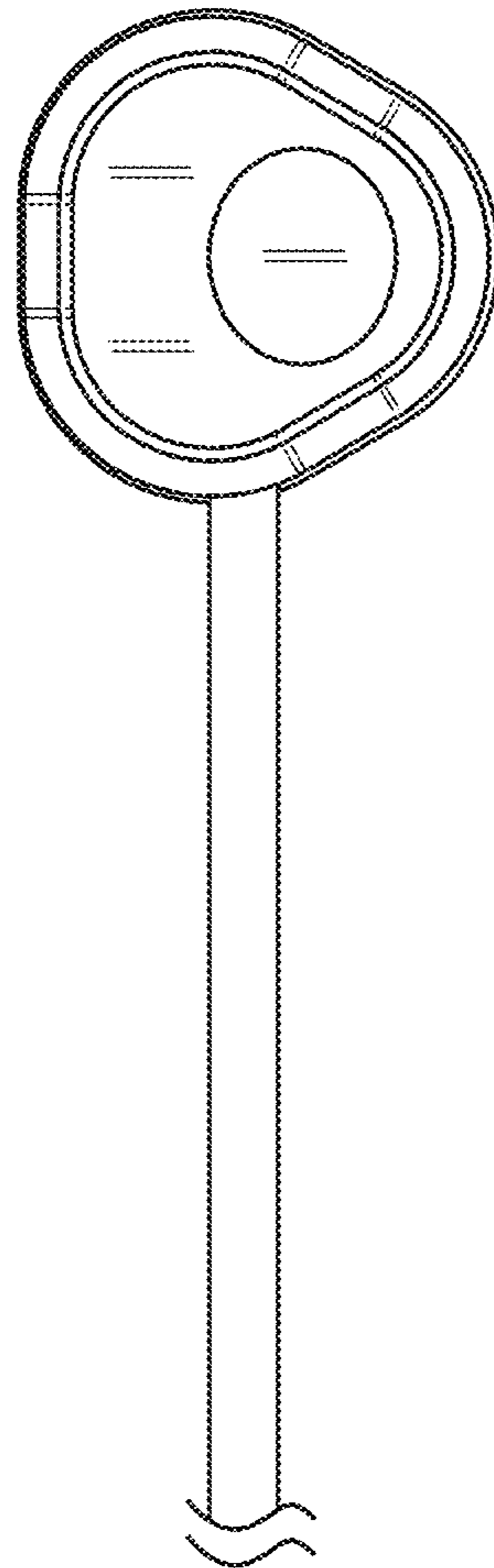


FIG. 4

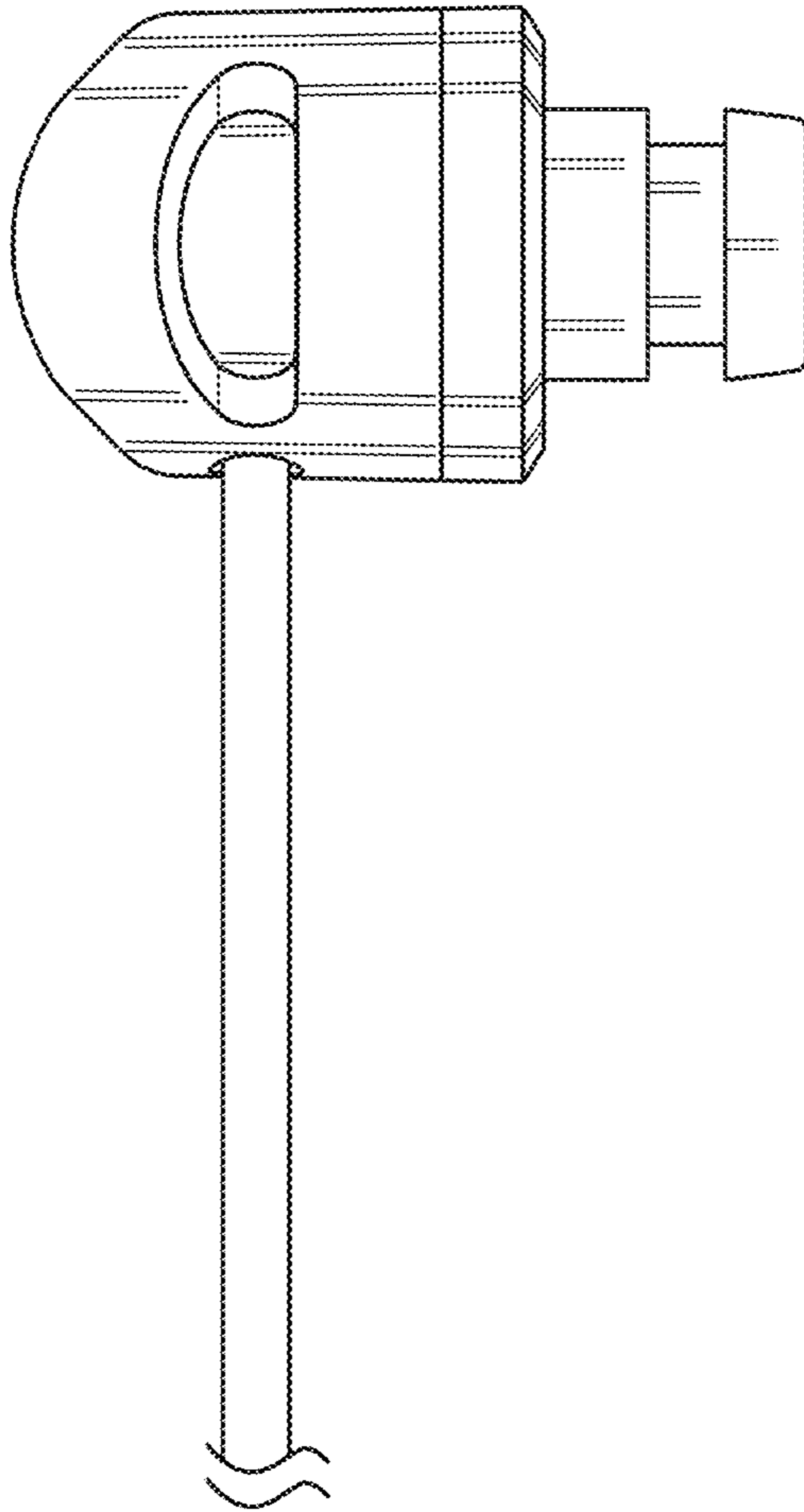


FIG. 5

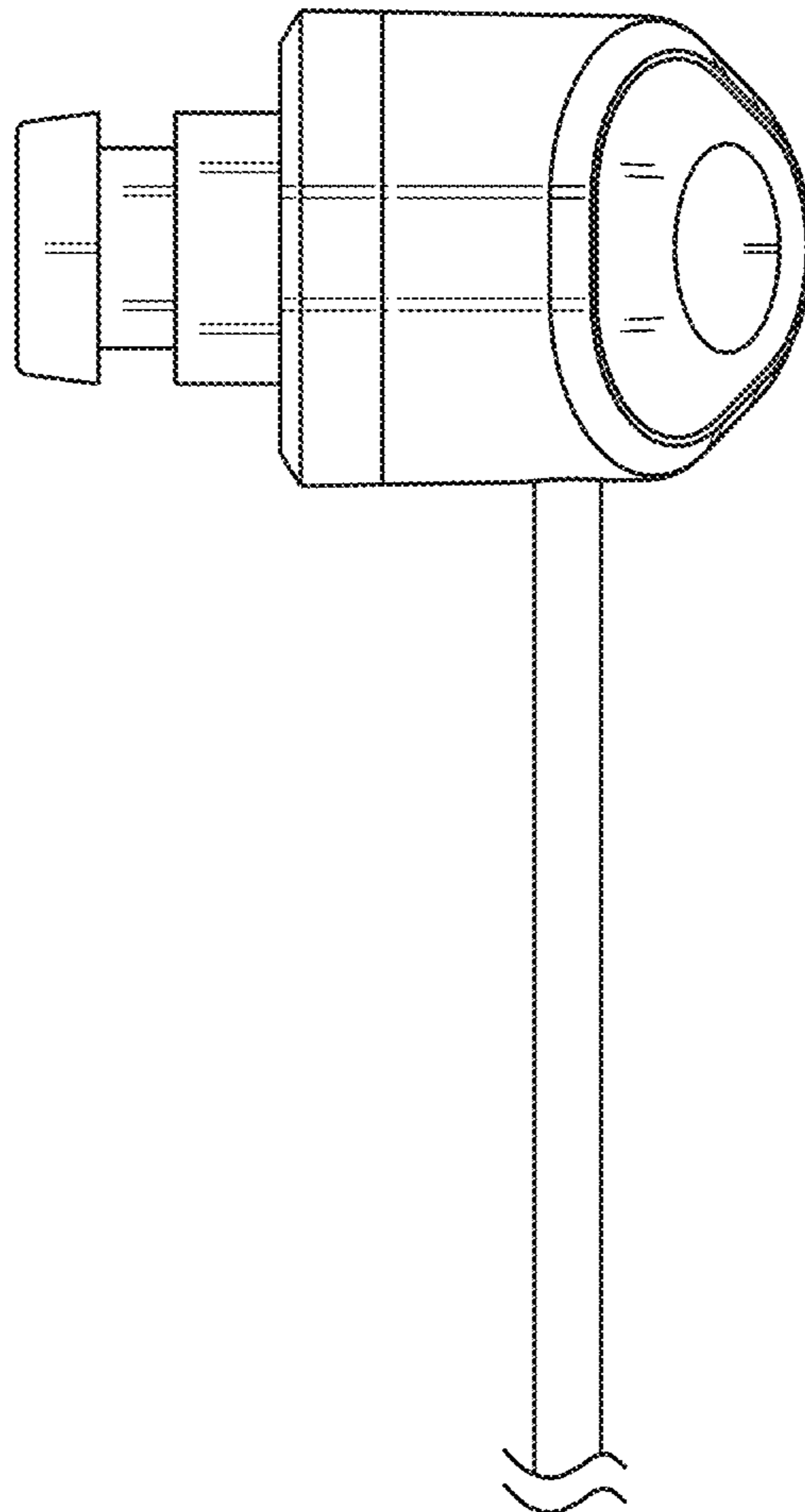


FIG. 6

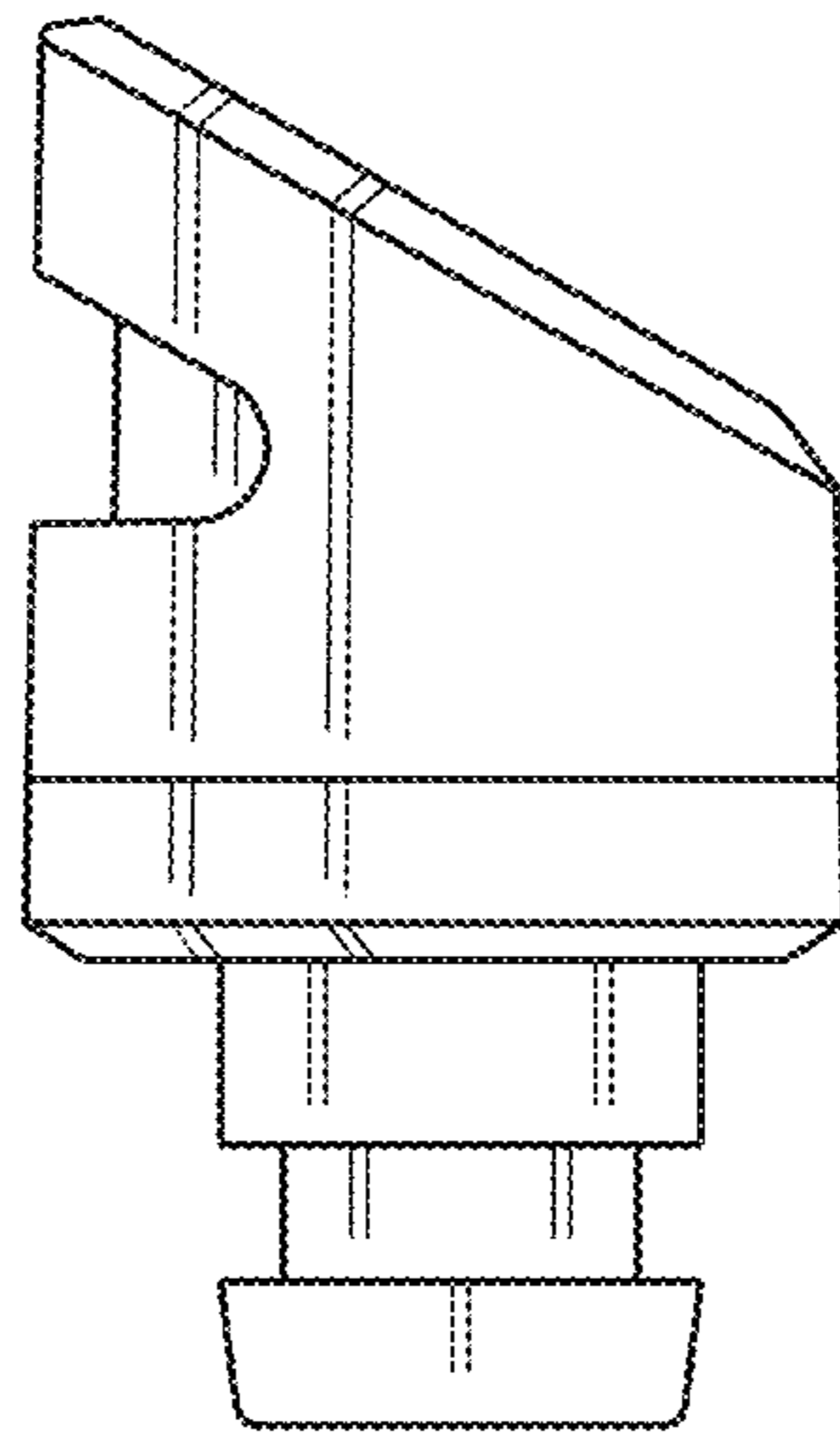


FIG. 7

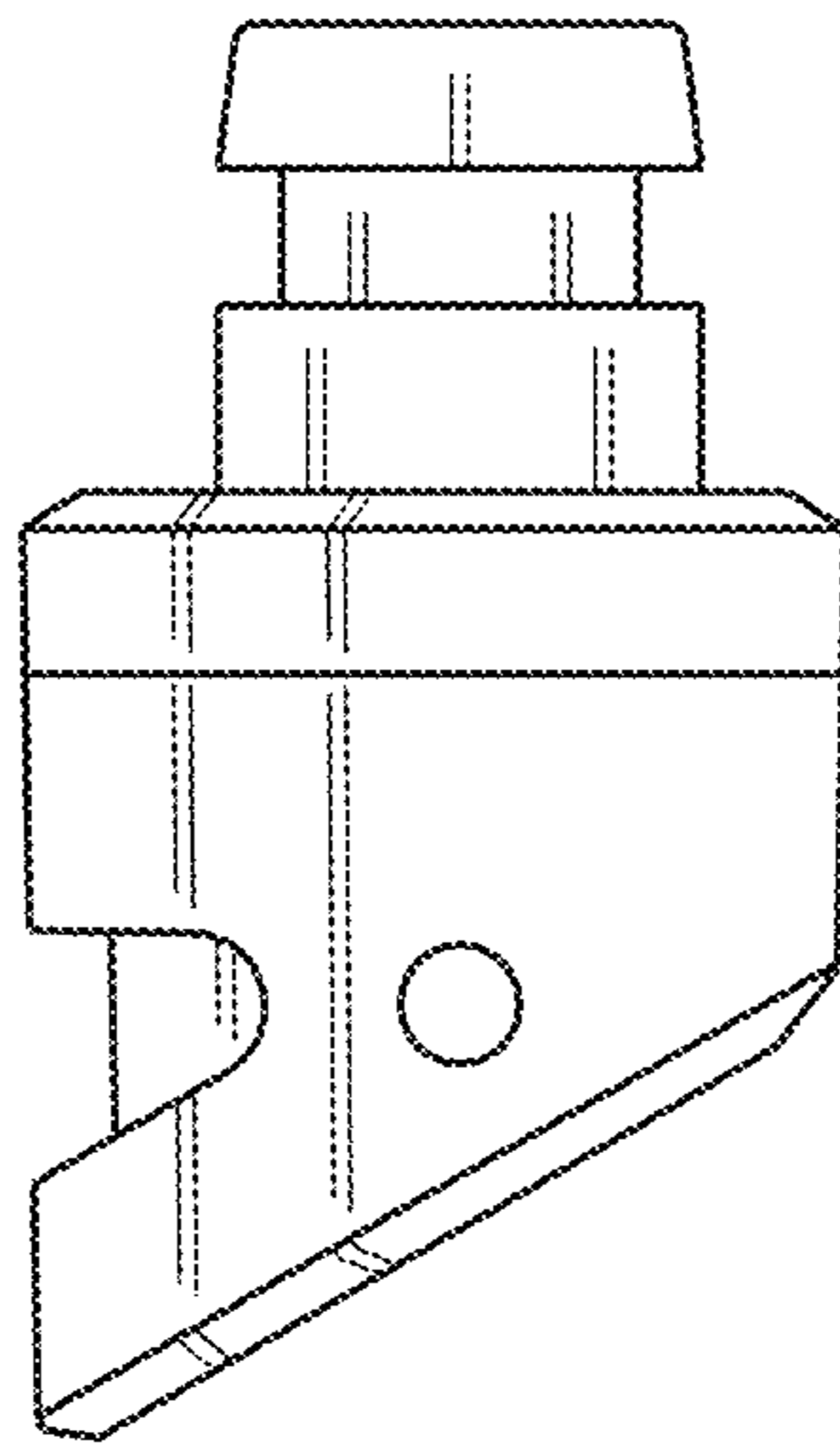


FIG. 8