



US00D708598S

(12) **United States Design Patent**
Robinson et al.

(10) **Patent No.:** **US D708,598 S**
(45) **Date of Patent:** **** Jul. 8, 2014**

- (54) **MEDIA CONTROLLER**
- (71) Applicant: **ACCO Brands Corporation**, Lake Zurich, IL (US)
- (72) Inventors: **Todd C. Robinson**, Belmont, CA (US); **Brian B. Bautista**, South San Francisco, CA (US); **Adam S. Weaver**, Jackson, CA (US); **Erik J. Campbell**, San Francisco, CA (US)
- (73) Assignee: **ACCO Brands Corporation**, Lake Zurich, IL (US)
- (**) Term: **14 Years**
- (21) Appl. No.: **29/478,600**
- (22) Filed: **Jan. 7, 2014**
- (51) **LOC (10) Cl.** **14-03**
- (52) **U.S. Cl.**
USPC **D14/218**
- (58) **Field of Classification Search**
USPC D14/218, 455; D13/168; D21/566;
D10/104, 106; 345/169; 348/14.05,
348/114, 211.99, 734; 340/825.24; 341/22;
455/92, 95, 128, 151.1-151.4, 352,
455/355, FOR. 121; 700/65
See application file for complete search history.

D507,364 S * 7/2005 Lo D26/37
D507,839 S * 7/2005 Man D26/37
D528,510 S * 9/2006 Schmieta et al. D13/168
7,161,578 B1 1/2007 Schneider

(Continued)

FOREIGN PATENT DOCUMENTS

WO 2012100523 2/2012

OTHER PUBLICATIONS

Kensington, "SlimBlade™ Bluetooth Presenter Mouse" <<http://www.kensington.com/kensington/us/us/p/1594/K72330US/slimblade%E2%84%A-2bluetooth-resenter-mouse.aspx>> webpage available as early as Oct. 16, 2011.

(Continued)

Primary Examiner — John Windmuller

(74) *Attorney, Agent, or Firm* — Michael Best & Friedrich LLP

(57) **CLAIM**

We claim the ornamental design for a media controller, as shown in FIGS. 1-7 and described.

DESCRIPTION

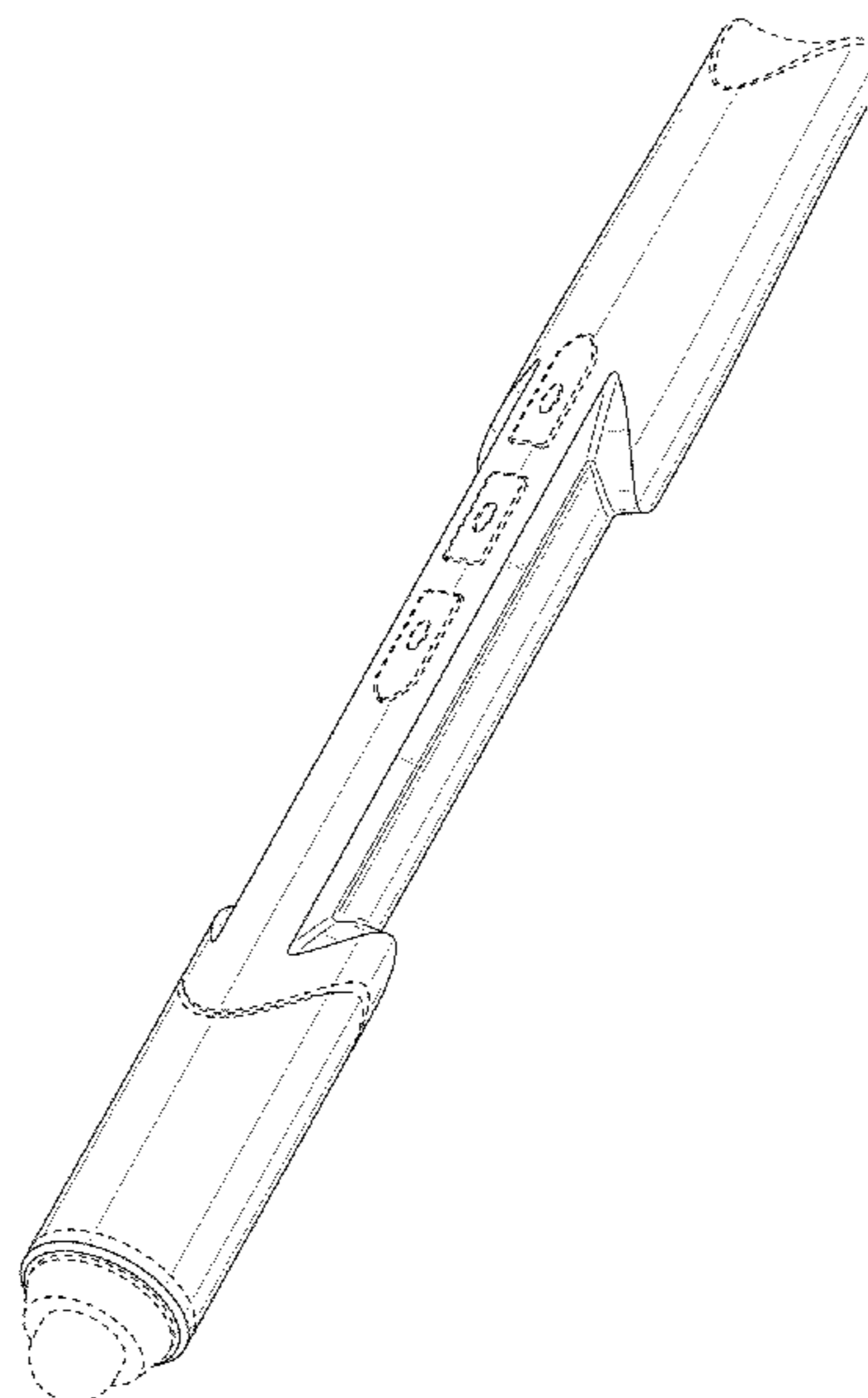
FIG. 1 is a perspective view of a media controller embodying the invention.
FIG. 2 is a first side view of the media controller of FIG. 1.
FIG. 3 is a second side view of the media controller of FIG. 1.
FIG. 4 is a third side view of the media controller of FIG. 1.
FIG. 5 is a fourth side view of the media controller of FIG. 1.
FIG. 6 is a first end view of the media controller of FIG. 1; and,
FIG. 7 is a second end view of the media controller of FIG. 1.
Portions of the media controller shown in broken lines form no part of the claimed design.

1 Claim, 4 Drawing Sheets

(56) **References Cited**

U.S. PATENT DOCUMENTS

4,387,718	A	6/1983	Bilitz et al.	
4,855,746	A	8/1989	Stacy	
D322,609	S *	12/1991	Patton	D14/218
D369,189	S *	4/1996	Stambolic et al.	D21/329
5,803,582	A	9/1998	Hunag	
6,304,249	B1	10/2001	Derocher et al.	
D487,451	S *	3/2004	Suzuki	D14/218
D499,702	S *	12/2004	Abe	D13/168



(56)

References Cited

U.S. PATENT DOCUMENTS

D537,181	S *	2/2007	Chen et al.	D26/37
7,248,201	B2	7/2007	Buccinna et al.		
D552,043	S *	10/2007	Thursfield	D13/168
D582,915	S *	12/2008	Leung	D14/480.3
D606,946	S *	12/2009	Zheng	D13/168
7,817,137	B2	10/2010	Wang		
D626,534	S *	11/2010	Kim et al.	D14/218
D650,364	S *	12/2011	Kim et al.	D14/218
D662,074	S *	6/2012	Corsini et al.	D14/142
8,352,041	B2	1/2013	Das et al.		
D684,283	S *	6/2013	Zhou et al.	D26/49
D685,750	S *	7/2013	Nakagawa	D13/168
D690,662	S *	10/2013	Maier et al.	D13/168
2003/0043111	A1	3/2003	Huang		
2005/0012594	A1	1/2005	Shim		
2008/0065806	A1	3/2008	Kim et al.		
2009/0240240	A1	9/2009	Hines et al.		
2010/0007517	A1	1/2010	Andrews et al.		

OTHER PUBLICATIONS

Kensington, "Virtuoso™ Pro Pointer Stylus & Red Laser Pointer" <<http://www.kensington.com/kensington/en/gb/p/2836/K39539WW/virtuoso%E2%84%A2-pro-pointer-stylus-red-laser-pointer.aspx>> webpage available as early as Jun. 5, 2012.

Targus, "Targus Green Laser Presenter with Multimedia Functions" <<http://www.targus.com/us/productdetail.aspx?regionId=7&sku=AMP14USZ&PageName=Presenters>> webpage accessed May 13, 2013.

Simplism, "Simplism Japan Dual USB Charger Slide Style, Black" <http://www.drugstore.com/products/prod.asp?pid=386831&catid=283116&aid=338666&aparam=goobase__filler&device=c&network=g&matchtype=>> webpage accessed May 14, 2013.

Amazon, "SMK-Link Rechargeable Wireless Presenter Remote an Mouse (VP6700)" <http://www.amazon.com/SMK-Link-Rechargeable-Wireless-Presenter-VP6700/dp/B00112BK0A/ref=sr_1_2?s=electronics&ie=UTF8&qid=1368513358&sr=1-2&keywords=rechargeable+wireless+presenter> webpage available as early as Feb. 13, 2012.

Brandeditems, "Laser Pointer LED USB Flash Drive" <http://www.brandeditems.com.ar/technology_products.php?id=398&kateg=1> webpage accessed May 14, 2013.

HDE, "Red 3-in-1 Stylus, Red Laser Pointer, & LED Light" <<http://www.shophde.com/j108.html>> webpage available as early as Aug. 15, 2007.

HDE, "Black 4-in-1 Stylus, Pen, Laser Pointer, & LED Light" <<http://www.shophde.com/j110.html>> webpage available as early as Jun. 5, 2012.

Amazon, "Vson Wireless USB Presentation Remote Clicker Pen" <http://www.amazon.com/Vson-Wireless-USB-Presentation-Remoteclicker/dp/B00F2YAV8K/ref=sr_1_2?ie=UTF8&qid=1381248949&sr=8-2&keywords=vson+wireless+usb+presentation+remote+clicker+pen> webpage available as early as Apr. 16, 2009.

Amazon, "Targus Bluetooth Presenter for Apple Mac AMP11US Wireless laser pointer Mouse" <http://www.amazon.com/Targus-Bluetooth-Presenter-AMP11US-Wireless/dp/B001HQDFGC/ref=sr_1_1?ie=UTF8&qid=1381249241&sr=8-1&keywords=targus+bluetooth+presenter+for+apple+mac+amp11us+wireless+laser+pointer+mouse> webpage available as early as Aug. 31, 2012.

Google, "WebOS Bluetooth Remote Presenter" <<http://code.google.com/p/webos-bluetooth-remote-presented/>> webpage available as early as Nov. 17, 2011.

Boxwave, "Presentation Capacitive iPad Stylus" <<http://www.boxwave.com/ipad-stylus/presentation-capacitive-ipad-stylus/bwpdd/pww-tmmw/>> webpage available as early as Jan. 16, 2011.

Amazon, "RF Wireless Laser Pointer with Page up Down PowerPoint Presentation Function (Black)" <http://www.amazon.com/Wireless-Pointer-PowerPoint-Presentation-Function/dp/B002SDT31C/ref=sr_1_1?ie=UTF8&qid=1381251609&sr=8-1&keywords=rf+wireless+laser+pointer> webpage available as early as Feb. 2, 2013.

Amazon, "HP Mogo Bluetooth X54 Presenter Travel Mouse for Laptops" <http://www.amazon.com/HP-Mogo-Bluetooth-X54-Presenter/dp/B004AMRT62/ref=cm_cr_pr_pb_t> webpage available as early as Sep. 27, 2012.

Multi-Function Co., Ltd., "iPhone Tool Stylus Pen" <http://www.multi-function.net/product_detail.php?idx=39> webpage available as early as Jun. 5, 2012.

Multi-Function Co., Ltd., "Wireless Presentation Pointer With Laser Pointer and USB Flash Drive" <http://www.multi-function.net/product_detail.php?idx=85> webpage available as early as Jun. 5, 2012.

Multi-Function Co., Ltd., "Wireless Presenter With Laser Pointer" <http://www.multi-function.net/product_detail.php?idx=84> webpage available as early as Jun. 5, 2012.

Pollicino, J., "Griffin announces 'Stylus + Pen + Laser Pointer,' gives up on creative product names" <<http://www.engadget.com/2011/09/03/griffin-announces-stylus-pen-laser-pointer-gives-up-on-cr/>> webpage available as early as Sep. 3, 2011.

Google, "Interlink Electronics Bluetooth Stopwatch Presenter with Laser Pointer VP4570 Presentation remote control—Bluetooth" <<https://www.google.com/#q=interlink+electronics+bluetooth+stopwatch+presenter+with+laser+pointer&tbn=shop>> webpage available as early as Aug. 2008.

Google, "Quartet 4 Function Laser Pointer—Laser pointer / ball point pen / LED flashlight / stylus" <<https://www.google.com/#q=quartet+4+function+laser+pointer&tbn=shop>> webpage available as early as Dec. 2010.

* cited by examiner

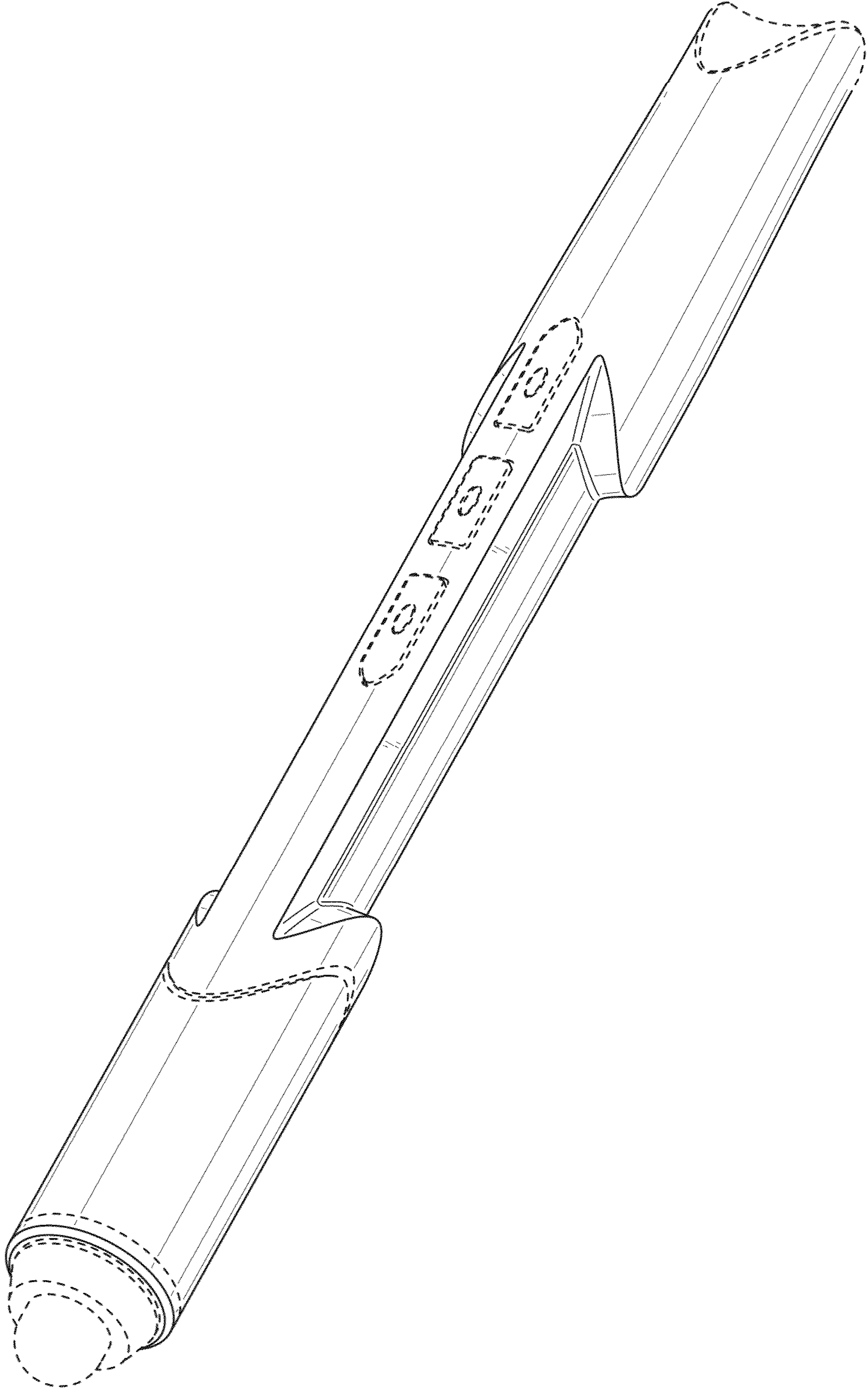


FIG. 1

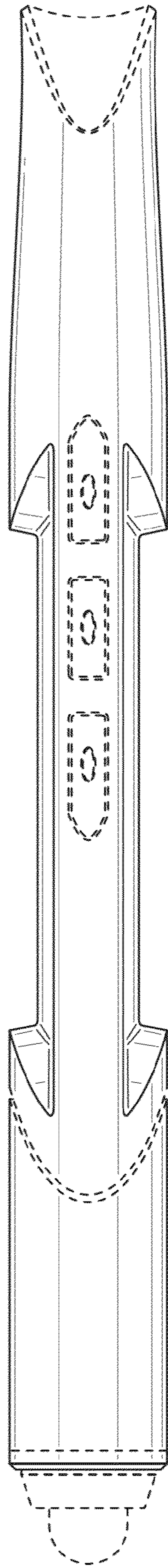


FIG. 2

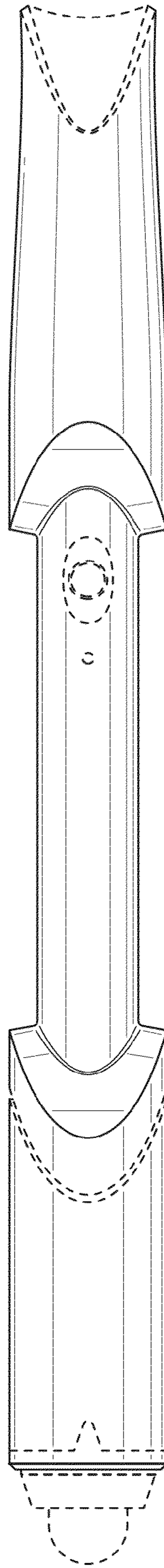


FIG. 3

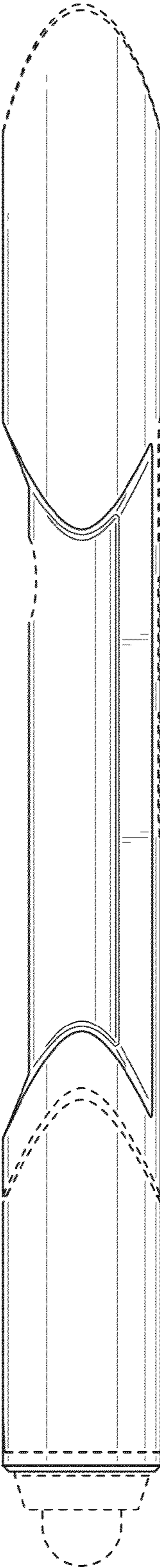


FIG. 4

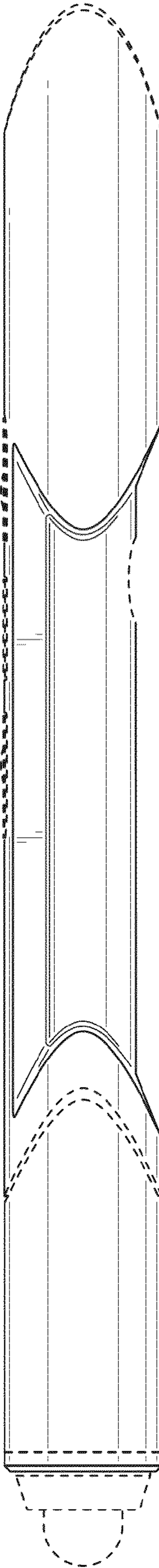


FIG. 5

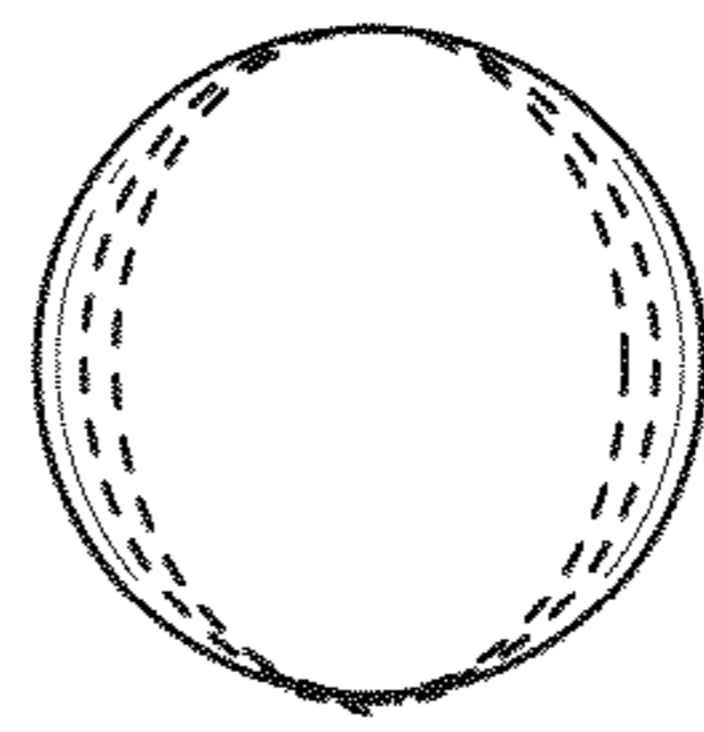


FIG. 6

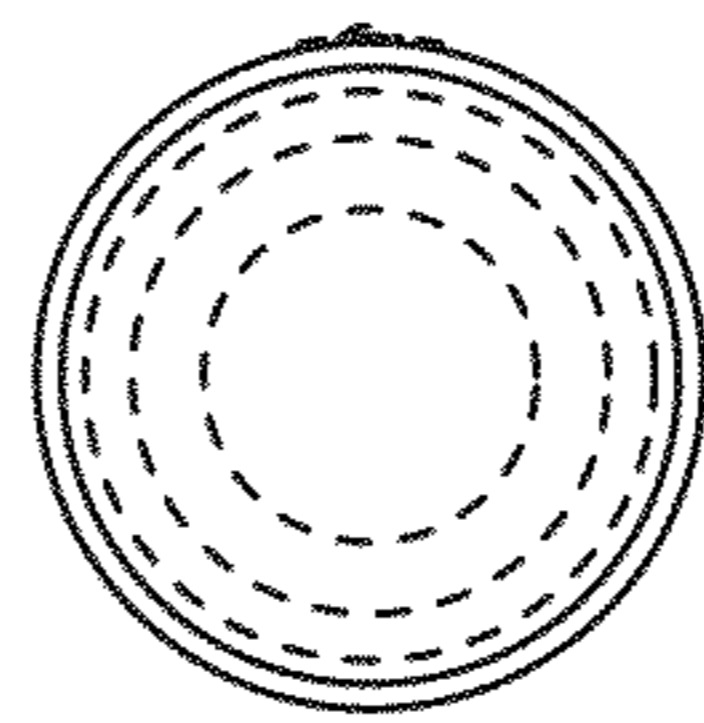


FIG. 7