



US00D708594S

(12) **United States Design Patent**
Kirihara et al.

(10) **Patent No.:** **US D708,594 S**
(45) **Date of Patent:** **** Jul. 8, 2014**

(54) **PANEL BOARD FOR
ELECTROLUMINESCENCE MODULE**

4,864,473 A * 9/1989 Tokarz 362/490
D612,958 S * 3/2010 Uemoto et al. D26/24
D632,657 S 2/2011 Fujihara et al.

(71) Applicant: **Panasonic Corporation**, Osaka (JP)

(Continued)

(72) Inventors: **Masao Kirihara**, Osaka (JP); **Koji Tsuji**, Osaka (JP); **Taisuke Nishimori**, Osaka (JP); **Motonobu Aoki**, Osaka (JP)

Primary Examiner — Selina Sikder

(74) *Attorney, Agent, or Firm* — Panasonic Patent Center

(73) Assignee: **Panasonic Corporation**, Osaka (JP)

(57) **CLAIM**

We claim the ornamental design for a panel board for electroluminescence module, as shown and described.

(**) Term: **14 Years**

DESCRIPTION

(21) Appl. No.: **29/459,744**

(22) Filed: **Jul. 3, 2013**

(30) **Foreign Application Priority Data**

Jan. 11, 2013 (JP) 2013-000403
Jan. 11, 2013 (JP) 2013-000404
Jan. 11, 2013 (JP) 2013-000405

FIG. 1 is a top perspective view of a first embodiment of a panel board for electroluminescence module of the present invention;

FIG. 2 is a front view thereof;

FIG. 3 is a rear view thereof;

FIG. 4 is a first side view thereof, the second side being a mirror image;

FIG. 5 is a top view thereof, the bottom view being a mirror image;

FIG. 6 is a top perspective view of a second embodiment of a panel board for electroluminescence module of the present invention;

FIG. 7 is a front view thereof;

FIG. 8 is a rear view thereof;

FIG. 9 is a first side view thereof, the second side being a mirror image;

FIG. 10 is a top view thereof, the bottom view being a mirror image;

FIG. 11 is a top perspective view of a third embodiment of a panel board for electroluminescence module of the present invention;

FIG. 12 is a front view thereof;

FIG. 13 is a rear view thereof;

FIG. 14 is a first side view thereof, the second side being a mirror image; and,

FIG. 15 is a top view thereof, the bottom view being a mirror image.

(51) **LOC (10) Cl.** **13-03**

(52) **U.S. Cl.**
USPC **D13/180**

(58) **Field of Classification Search**
CPC ... H01L 27/15; H01L 27/156; H01L 27/3276;
H01L 31/02; H01L 33/38; H01L 33/0079;
H01L 51/42; H01L 51/52; H01L 51/56;
H01L 51/5203; H01L 51/5246; H05B 33/04;
H05B 33/12; G09F 13/04; G09F 13/16
USPC D13/180; D26/1; 257/79, 80, 81, 88,
257/89, 95, 98, 99, 100, E33.058; 362/555,
362/800; 313/483, 498, 500

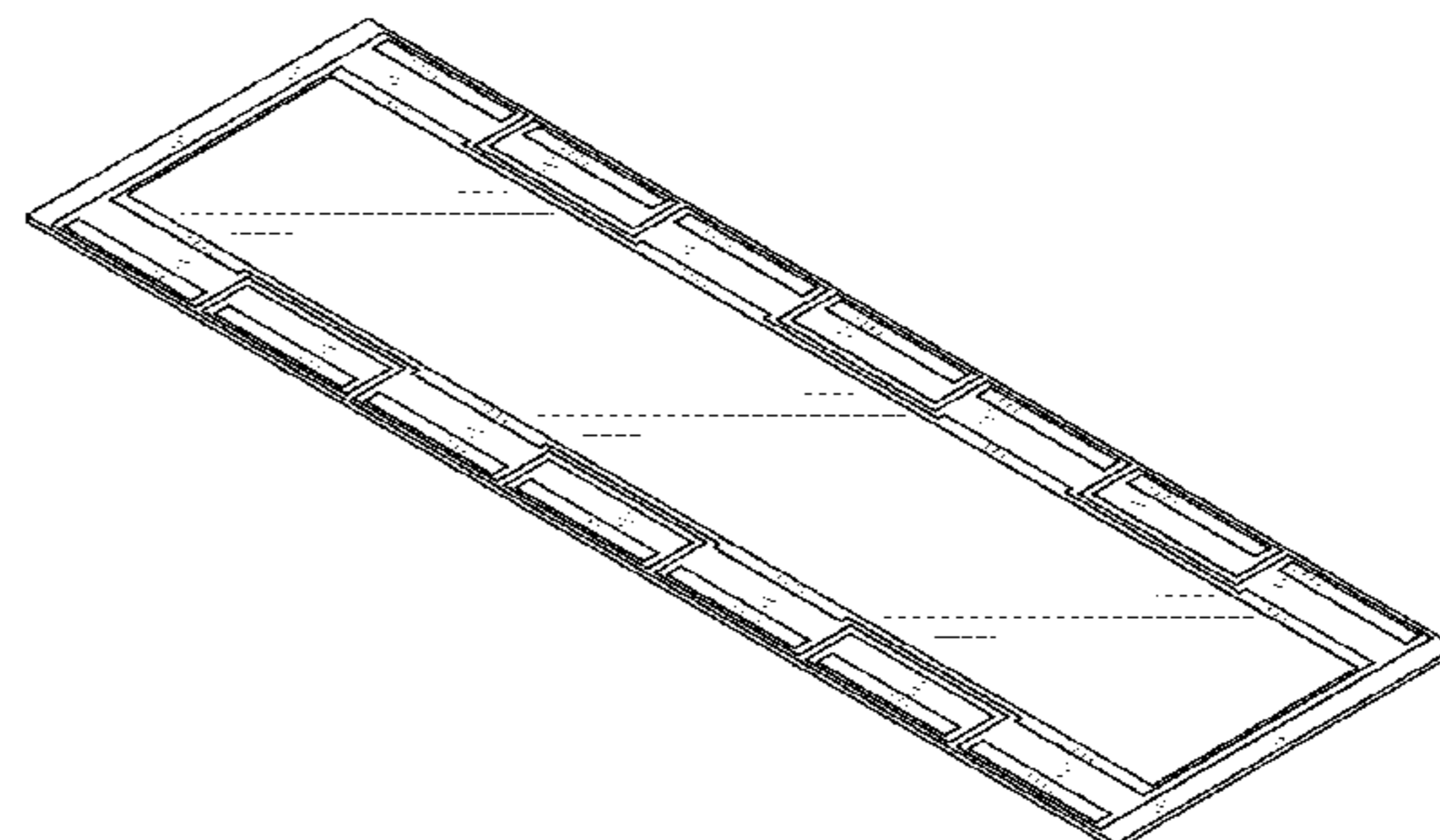
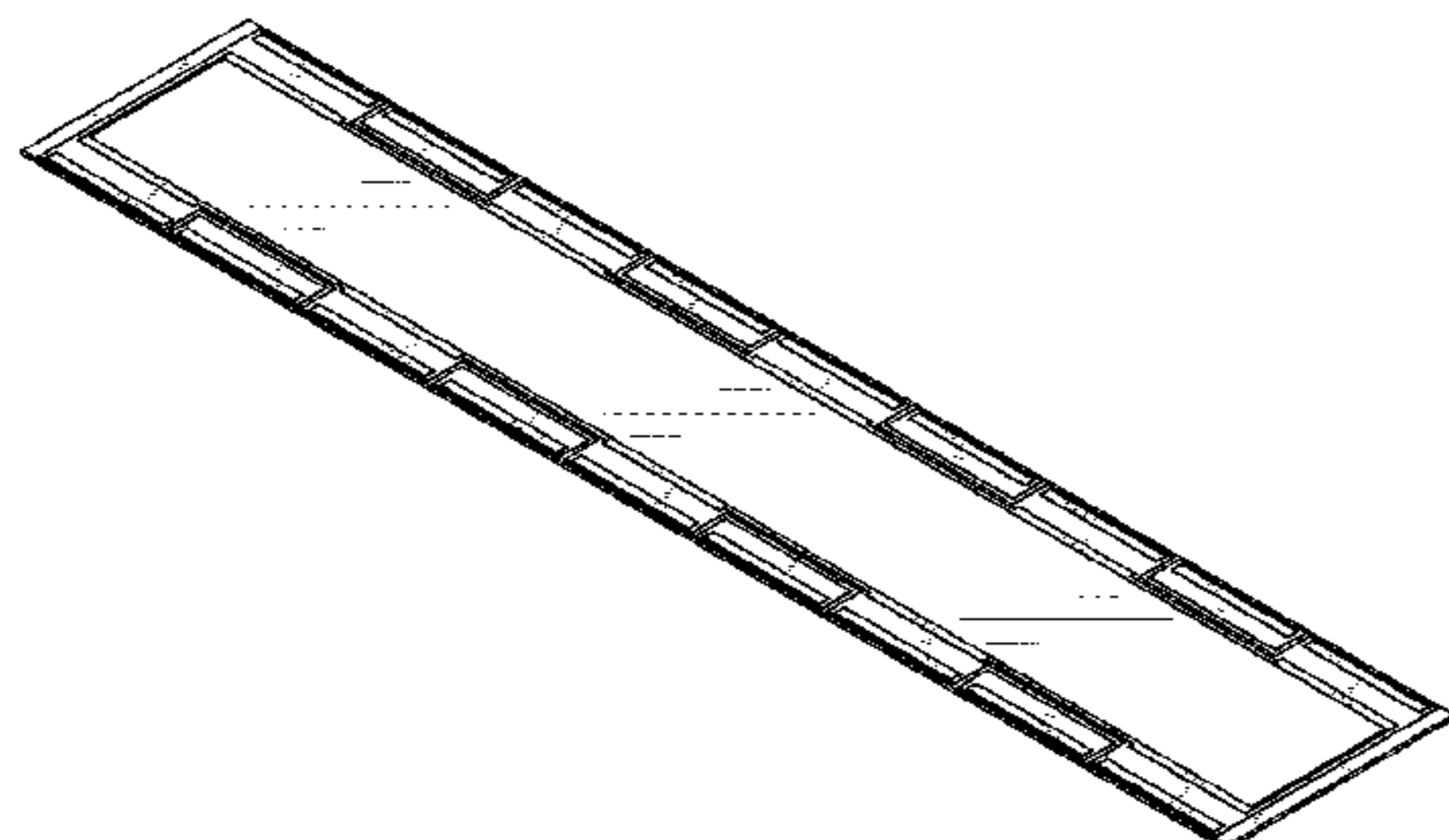
See application file for complete search history.

(56) **References Cited**

U.S. PATENT DOCUMENTS

2,910,792 A * 11/1959 Pfaff, Jr. 40/582
3,161,797 A * 12/1964 Butler et al. 313/512
4,138,620 A * 2/1979 Dickson 313/1

1 Claim, 15 Drawing Sheets



(56)

References Cited

U.S. PATENT DOCUMENTS

D633,055 S 2/2011 Fujihara et al.
D633,056 S 2/2011 Fujihara et al.
D633,451 S 3/2011 Fujihara et al.
D663,865 S * 7/2012 Betsuda et al. D26/1
8,247,809 B2* 8/2012 Kim 257/40
D684,124 S * 6/2013 Matsuhisa et al. D13/180
D688,637 S * 8/2013 Matsuhisa et al. D13/180

8,502,214 B2* 8/2013 Kim 257/40
D690,277 S * 9/2013 Matsuhisa et al. D13/180
D694,200 S * 11/2013 Matsuhisa et al. D13/180
8,638,326 B2* 1/2014 Ko 345/212
8,643,002 B2* 2/2014 Ryu et al. 257/40
8,648,382 B2* 2/2014 Miyai et al. 257/99
2008/0042549 A1* 2/2008 Song et al. 313/498
2012/0146061 A1* 6/2012 Nam et al. 257/88
2013/0334504 A1* 12/2013 Thompson et al. 257/40
2014/0048777 A1* 2/2014 Lin et al. 257/40

* cited by examiner

FIG. 1

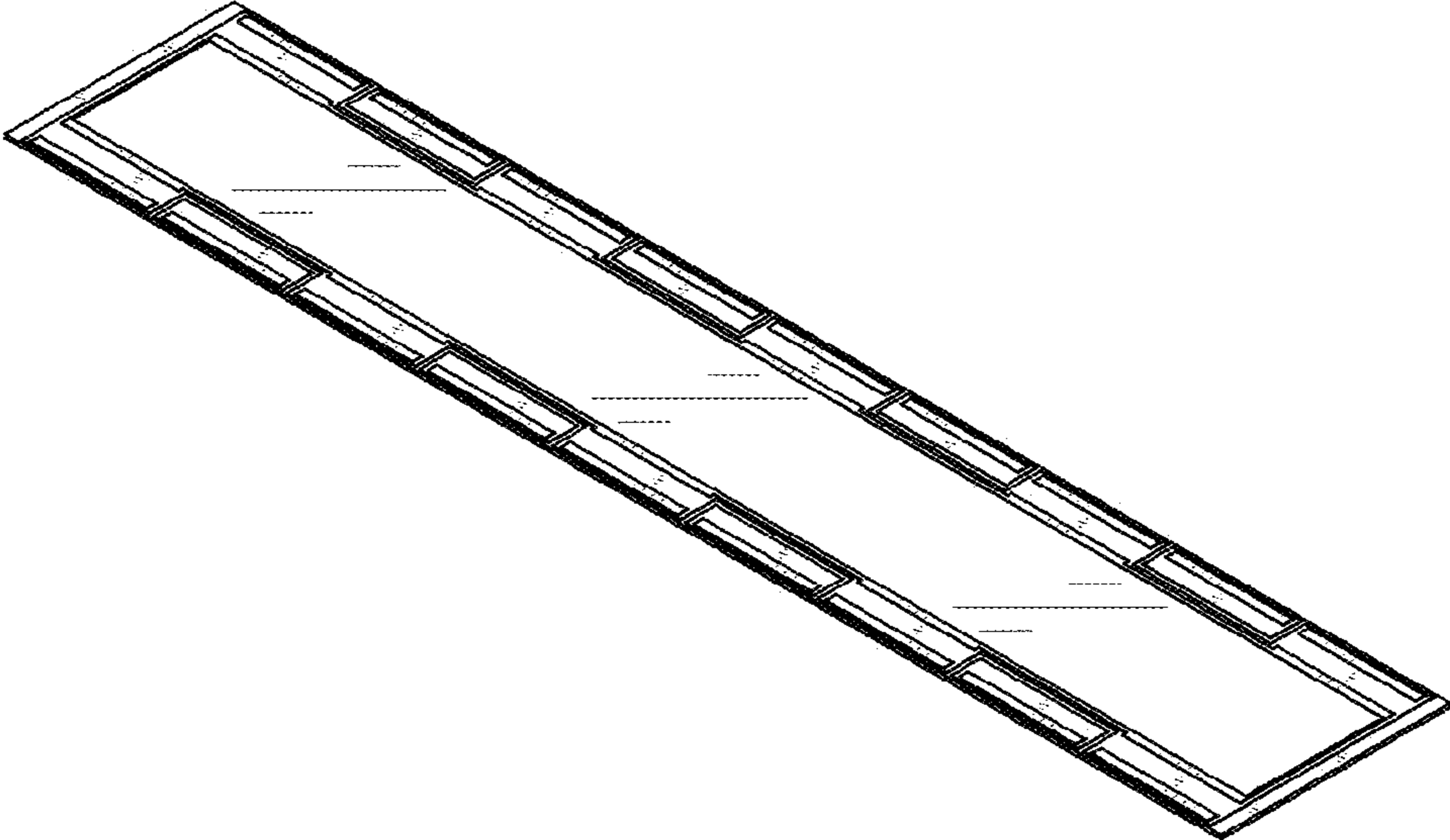


FIG. 2

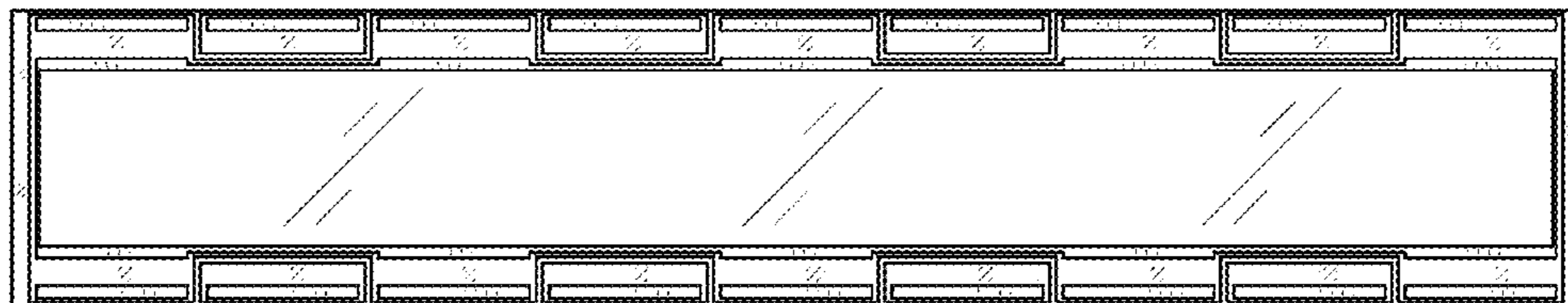


FIG. 3

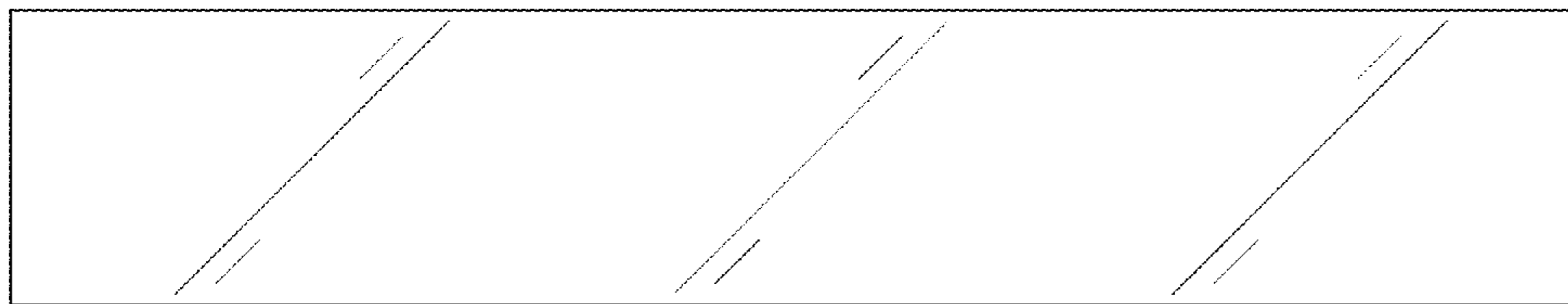


FIG. 4



FIG. 5



FIG. 6

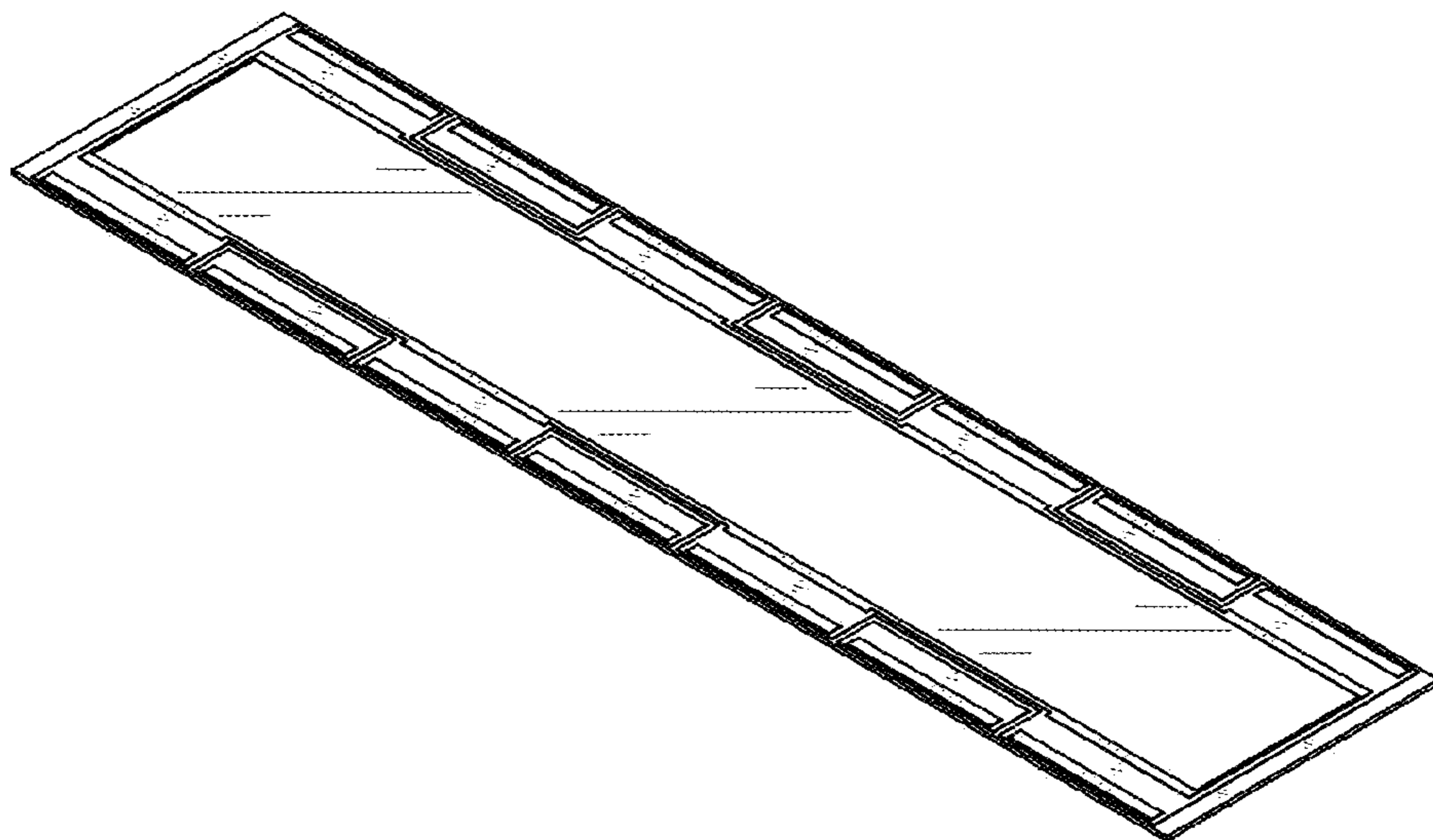


FIG. 7

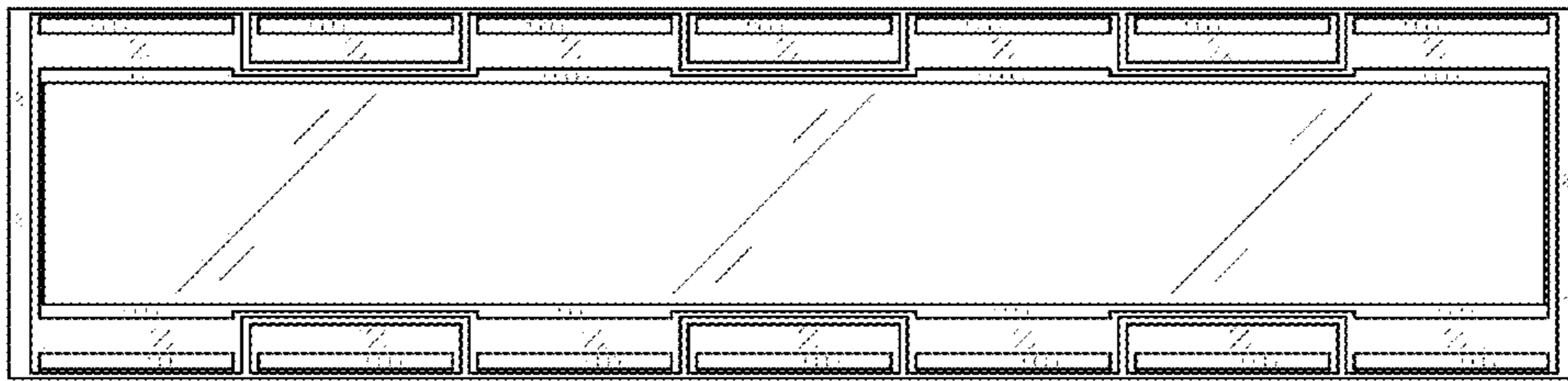


FIG. 8

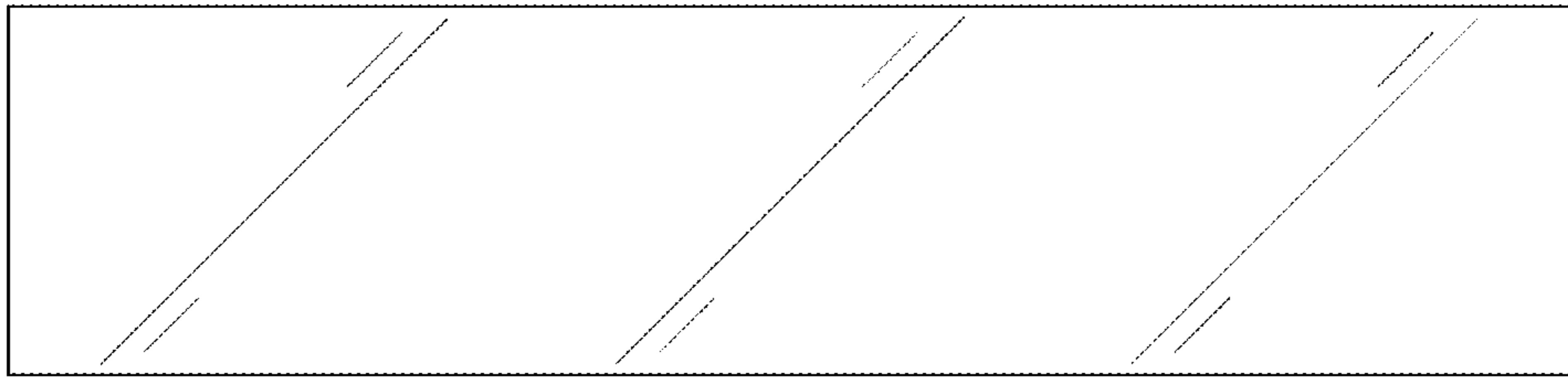


FIG. 9



FIG. 10



FIG. 11

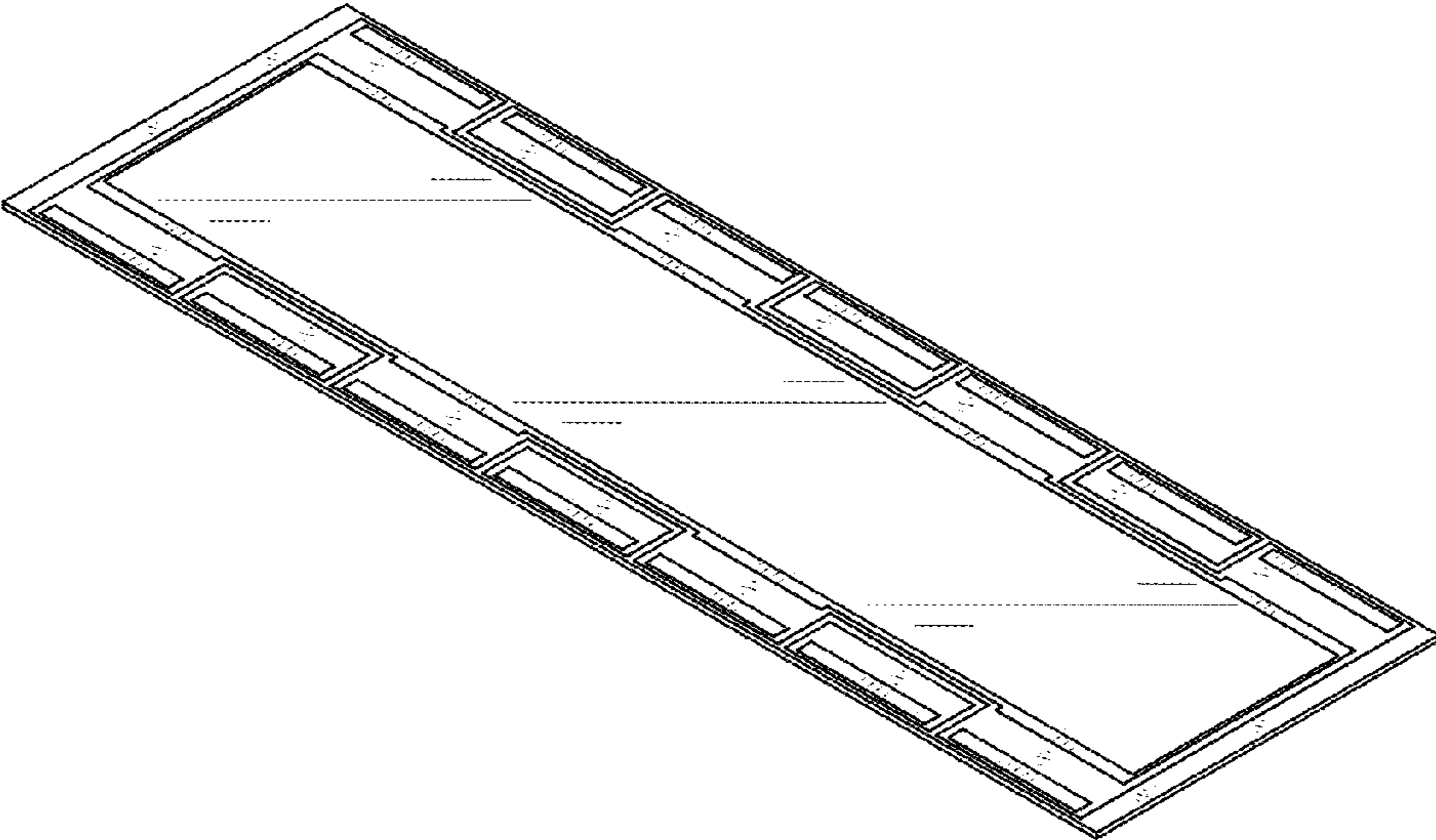


FIG. 12

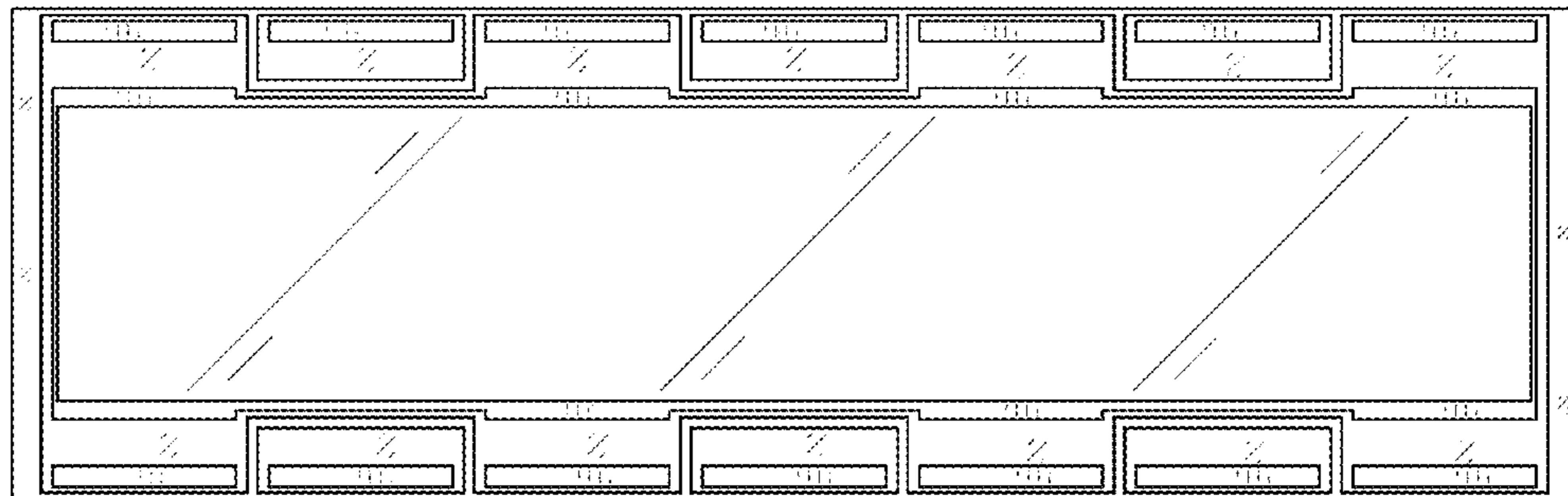


FIG. 13

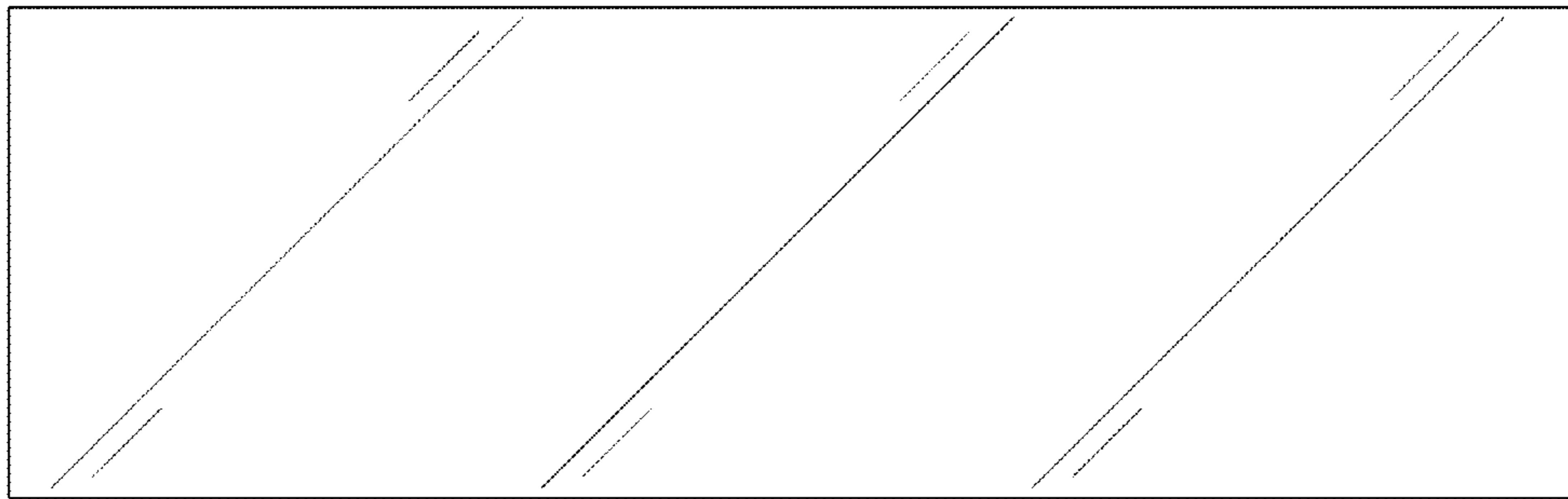


FIG. 14



FIG. 15

