



US00D708592S

(12) **United States Design Patent**
Andre et al.

(10) **Patent No.:** **US D708,592 S**
(45) **Date of Patent:** **** Jul. 8, 2014**

(54) **THERMAL DEVICE**
(71) Applicant: **Apple Inc.**, Cupertino, CA (US)
(72) Inventors: **Bartley K. Andre**, Palo Alto, CA (US);
Matthew Phillip Casebolt, Fremont, CA (US); **Jay Scott Nigen**, Mountain View, CA (US); **Gavin John Reid**, Cambell, CA (US); **Mikael Silvanto**, San Francisco, CA (US); **Richard Hing Tan**, Fremont, CA (US)

2011/0032675 A1* 2/2011 Lian et al. 361/697
2011/0157826 A1* 6/2011 Hata et al. 361/697
2011/0189004 A1 8/2011 Dybenko et al.
2011/0304976 A1 12/2011 Knopf et al.
2012/0224951 A1 9/2012 Degner et al.
2013/0044429 A1 2/2013 Knopf et al.
2013/0075065 A1 3/2013 Degner et al.

FOREIGN PATENT DOCUMENTS

TW 548061 8/2003

OTHER PUBLICATIONS

U.S. Appl. No. 29/424,273, filed Jun. 10, 2012.
U.S. Appl. No. 29/424,268, filed Jun. 9, 2012.
U.S. Appl. No. 29/435,191, filed Oct. 20, 2012.
U.S. Appl. No. 29/432,923, filed Sep. 22, 2012.
Photo Mac Mini 2010 Teardown <http://www.ifixit.com/Teardown/Mac+Mini+Mid+2010+Teardown/3094/2>.

* cited by examiner

Primary Examiner — Selina Sikder

(74) Attorney, Agent, or Firm — SAIDMAN DesignLaw Group

(57) **CLAIM**

The ornamental design for a thermal device, as shown and described.

DESCRIPTION

FIG. 1 is a top, front perspective view of a thermal device showing our new design;
FIG. 2 is a top, rear perspective view thereof;
FIG. 3 is a bottom, front perspective view thereof;
FIG. 4 is a bottom, rear perspective view thereof;
FIG. 5 is a front view thereof;
FIG. 6 is a rear view thereof;
FIG. 7 is a right side view thereof;
FIG. 8 is a left side view thereof;
FIG. 9 is a top view thereof; and,
FIG. 10 is a bottom view thereof.
The drawings include CAD lines that represent contour and not surface decoration.

1 Claim, 8 Drawing Sheets

(73) Assignee: **Apple Inc.**, Cupertino, CA (US)

(**) Term: **14 Years**

(21) Appl. No.: **29/435,193**

(22) Filed: **Oct. 20, 2012**

(51) **LOC (10) Cl.** **13-03**

(52) **U.S. Cl.**
USPC **D13/179**

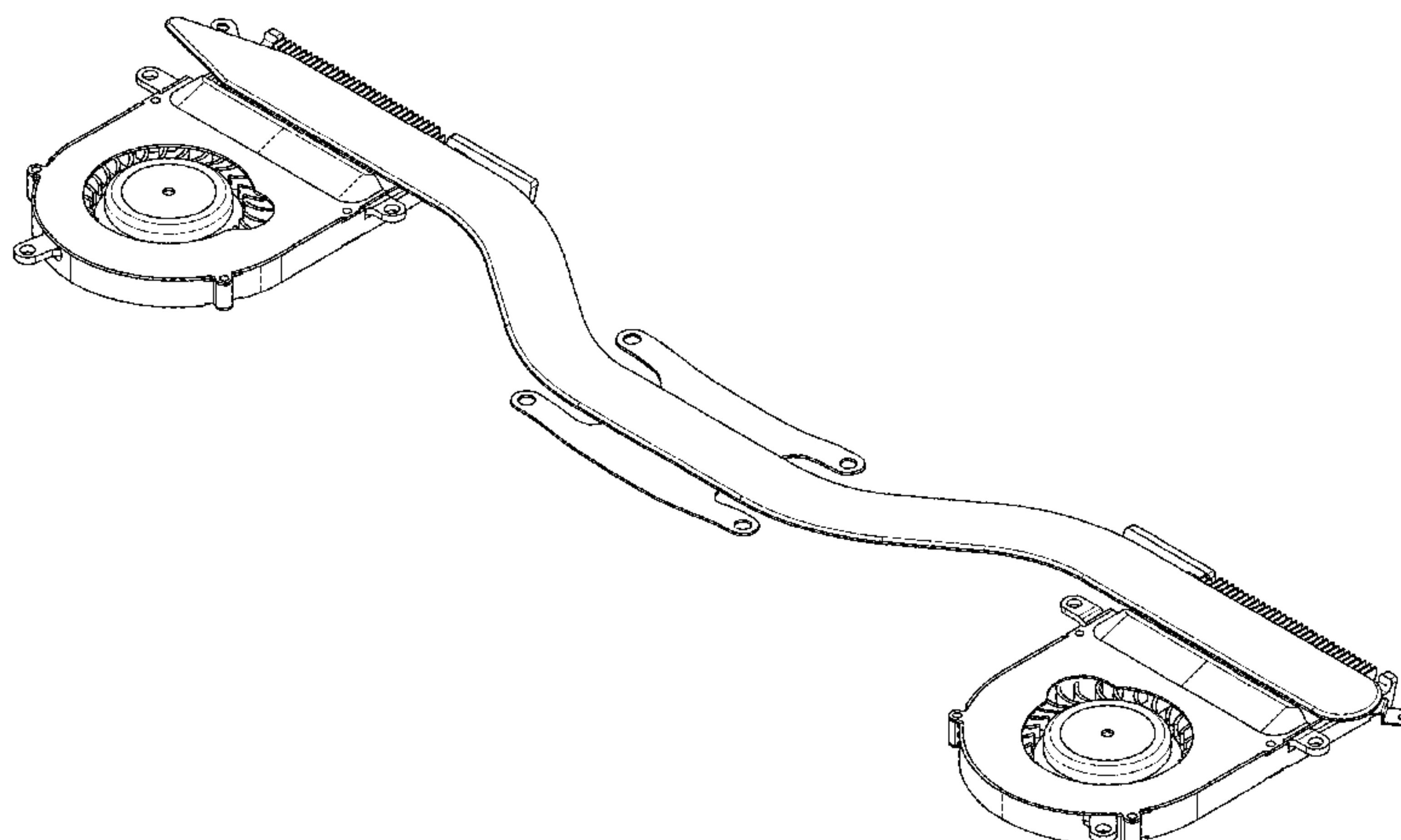
(58) **Field of Classification Search**
USPC D13/179; 165/80.3, 104.26, 104.33,
165/122, 151, 185; 257/706, 707, 718-722;
361/695, 697, 700, 702, 704, 709, 710,
361/711, 719

See application file for complete search history.

(56) **References Cited**

U.S. PATENT DOCUMENTS

6,778,392 B2* 8/2004 Chiou 361/697
6,867,971 B2* 3/2005 Lai 361/697
7,492,588 B2* 2/2009 Hwang et al. 361/694
7,573,714 B2 8/2009 Ali
7,710,724 B2* 5/2010 Takeguchi et al. 361/700
7,965,512 B2* 6/2011 Huang et al. 361/700
8,289,699 B2* 10/2012 Hwang et al. 361/679.47
8,295,040 B2 10/2012 Knopf et al.
8,360,718 B2 1/2013 Dybenko et al.
2004/0114328 A1* 6/2004 Chiou 361/697
2007/0131383 A1* 6/2007 Hattori et al. 165/11.2
2007/0195500 A1* 8/2007 Cheng et al. 361/697
2007/0267172 A1* 11/2007 Hwang et al. 165/80.3
2009/0109620 A1* 4/2009 Wang et al. 361/697



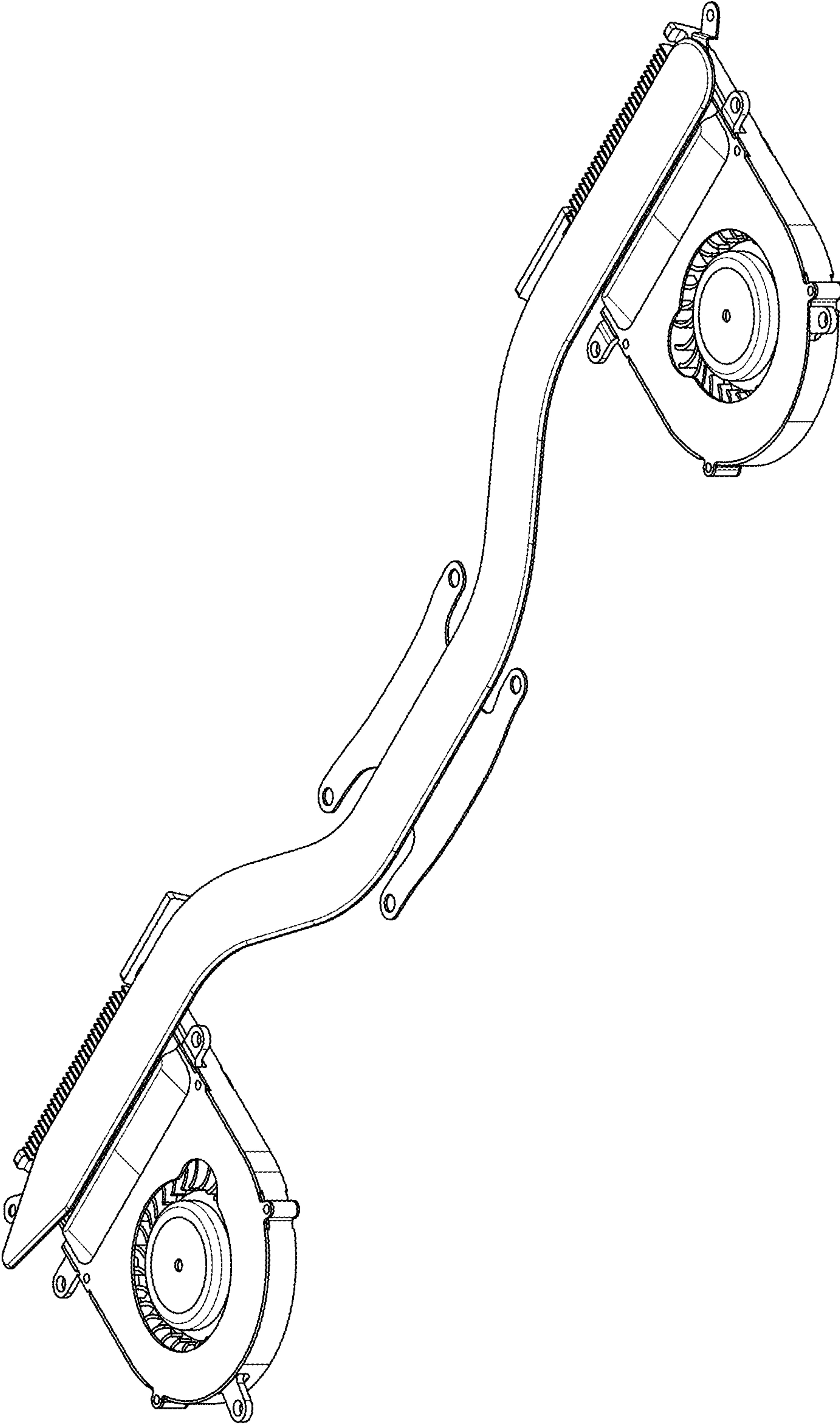


FIG. 1

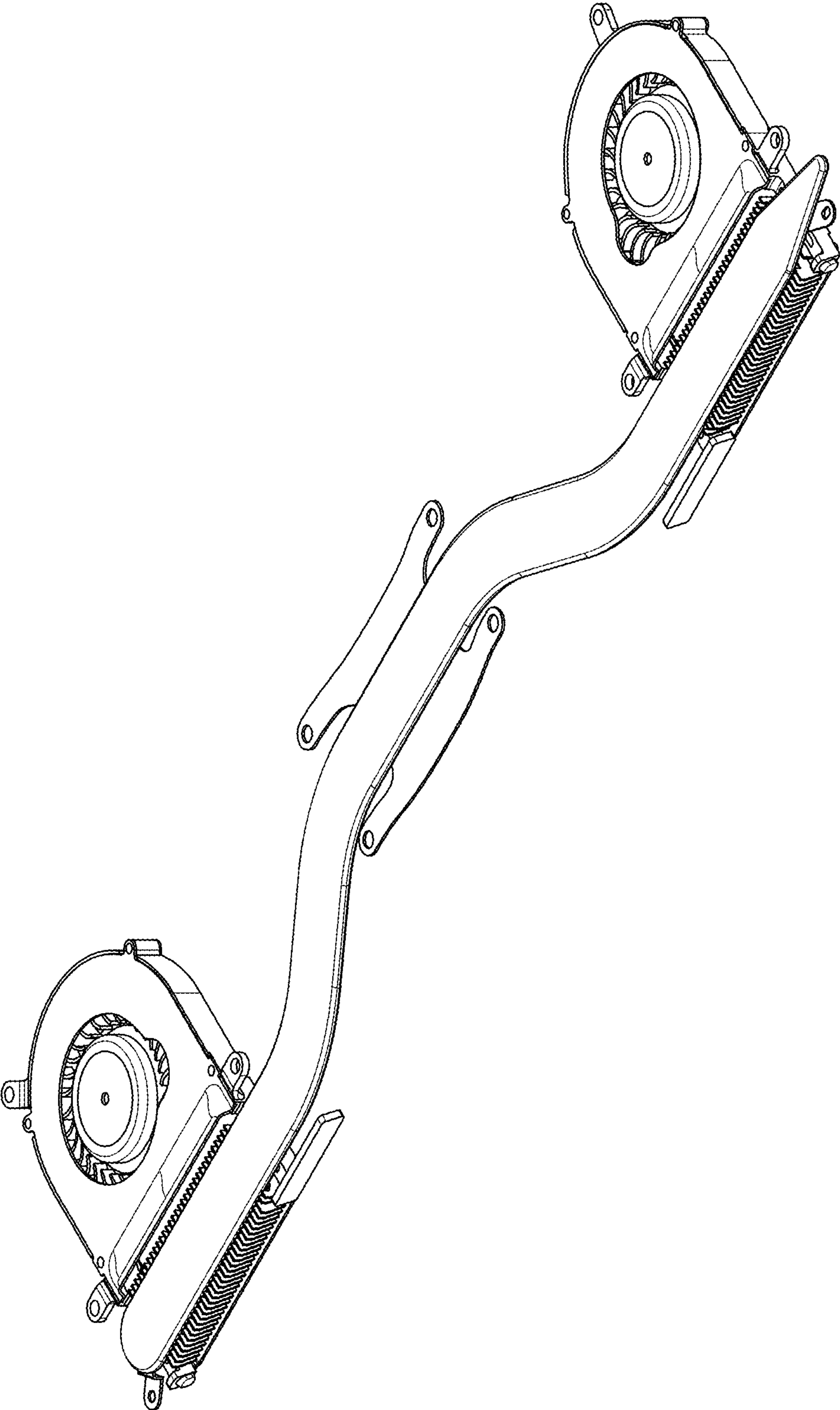


FIG. 2

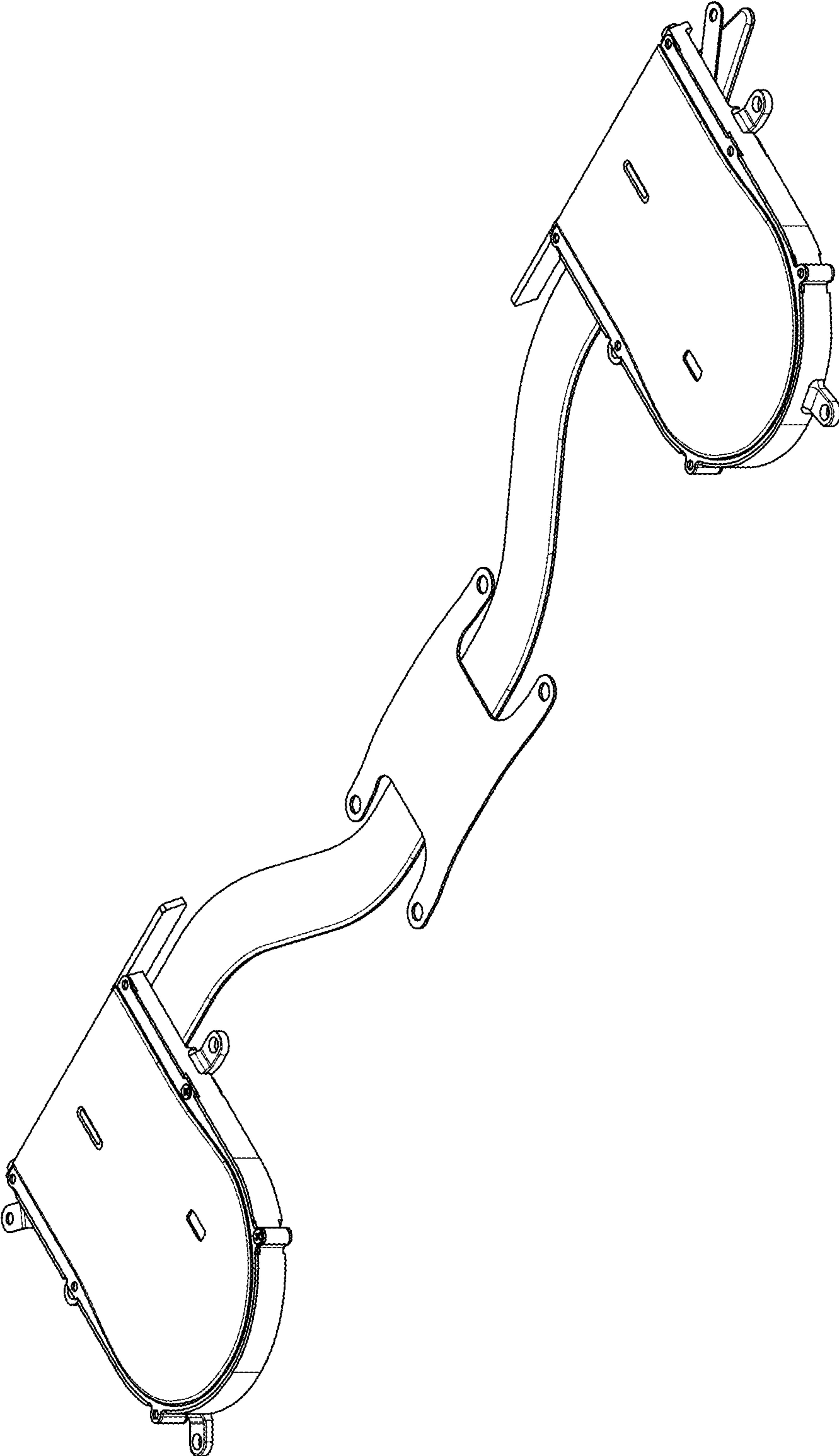


FIG. 3

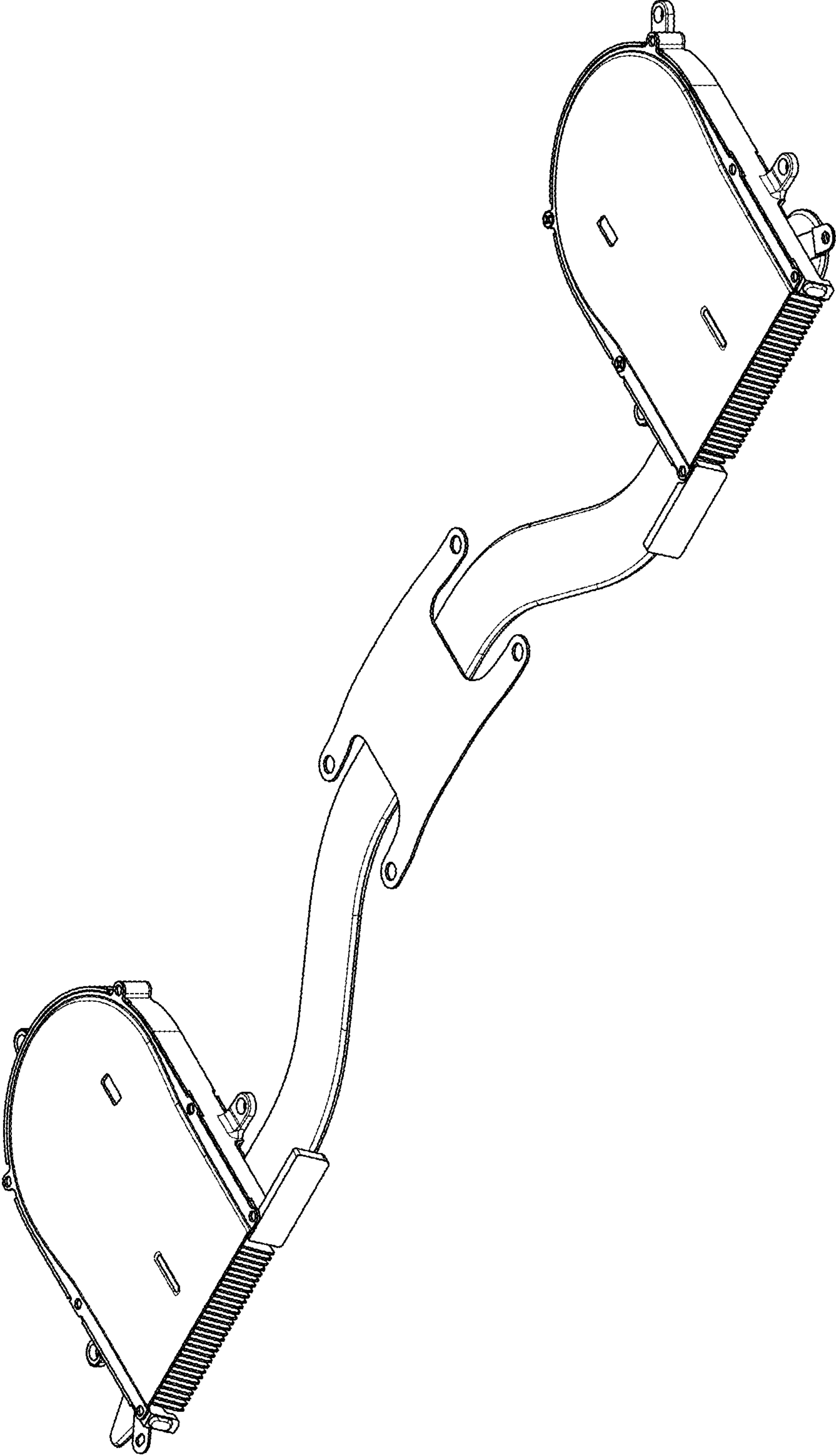


FIG. 4

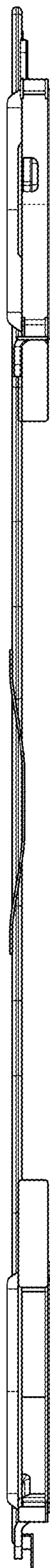


FIG. 5

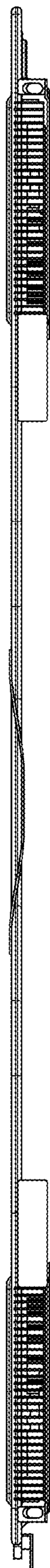


FIG. 6



FIG. 8



FIG. 7

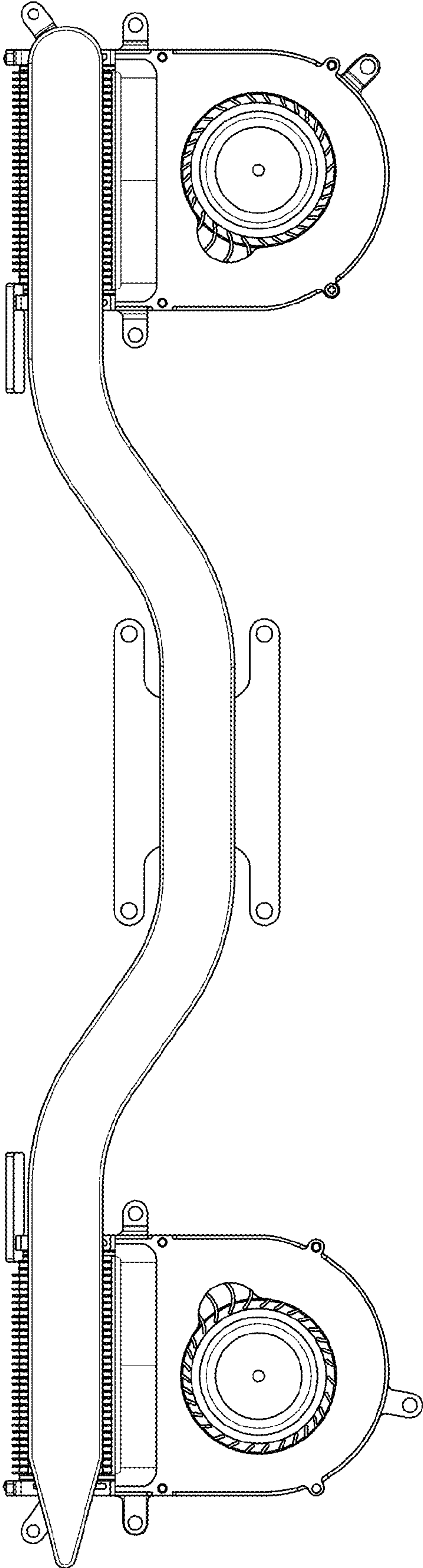


FIG. 9

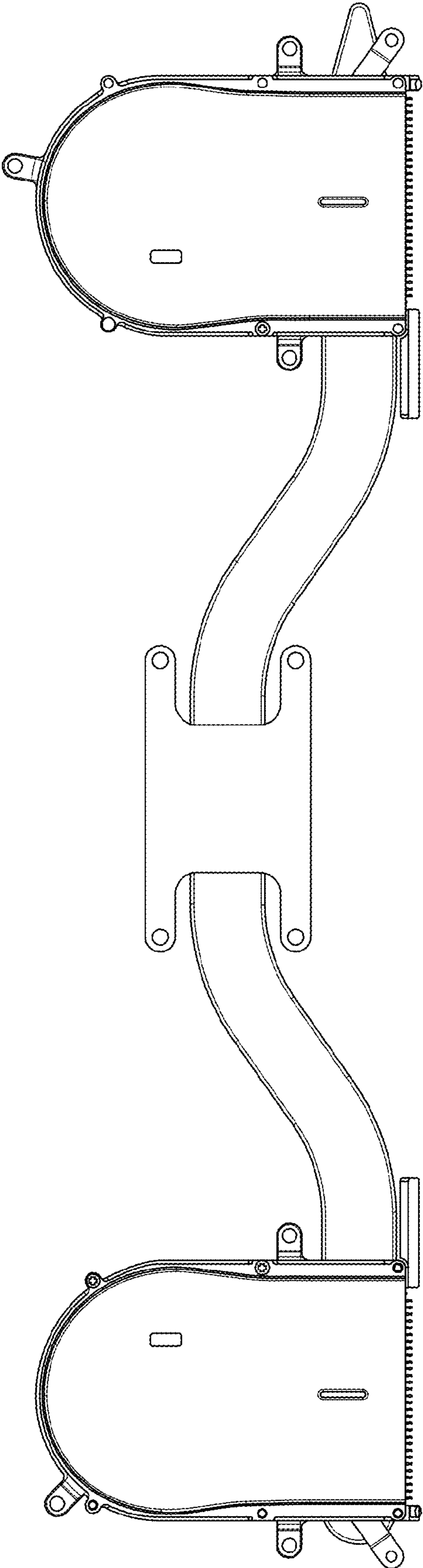


FIG. 10