



US00D708591S

(12) **United States Design Patent**
Andre et al.

(10) **Patent No.:** **US D708,591 S**
(45) **Date of Patent:** **** Jul. 8, 2014**

(54) **FAN COMPONENT**
(71) Applicant: **Apple Inc.**, Cupertino, CA (US)
(72) Inventors: **Bartley K. Andre**, Palo Alto, CA (US);
Jesse Thomas Dybenko, San Jose, CA (US);
Mikael Silvanto, San Francisco, CA (US);
Rico Zörkendörfer, San Francisco, CA (US)

6,781,835 B2 * 8/2004 Hashimoto et al. 361/697
6,867,971 B2 * 3/2005 Lai 361/697
6,902,373 B1 * 6/2005 Glanton 415/207
6,924,982 B2 * 8/2005 Chen et al. 361/697
7,001,149 B1 * 2/2006 Waggoner et al. 415/204
7,151,667 B2 * 12/2006 Walters et al. 361/699
7,262,965 B2 * 8/2007 Cheng 361/697
D563,332 S * 3/2008 Kitchens et al. D13/179
7,478,992 B2 * 1/2009 Hsu et al. 415/184
7,481,617 B2 * 1/2009 Hsu et al. 415/184

(Continued)

(73) Assignee: **Apple Inc.**, Cupertino, CA (US)

(**) Term: **14 Years**

FOREIGN PATENT DOCUMENTS

TW 548061 8/2003

(21) Appl. No.: **29/432,923**

OTHER PUBLICATIONS

(22) Filed: **Sep. 22, 2012**

U.S. Appl. No. 29/435,193 of Bartley K. Andre et al. entitled "Thermal Device," filed Oct. 20, 2012.

(51) **LOC (10) Cl.** **13-03**

(52) **U.S. Cl.**
USPC **D13/179**

(Continued)

(58) **Field of Classification Search**
USPC D13/179; D19/67; D12/194; D23/370,
D23/387, 393; 29/888.025, 889.4; 165/121;
361/679.47, 692, 697; 417/366;
415/184, 206, 207, 208.1, 213.1;
454/139

Primary Examiner — Selina Sikder
(74) *Attorney, Agent, or Firm* — SAIDMAN DesignLaw Group

See application file for complete search history.

(57) **CLAIM**
The ornamental design for a fan component, as shown and described.

(56) **References Cited**

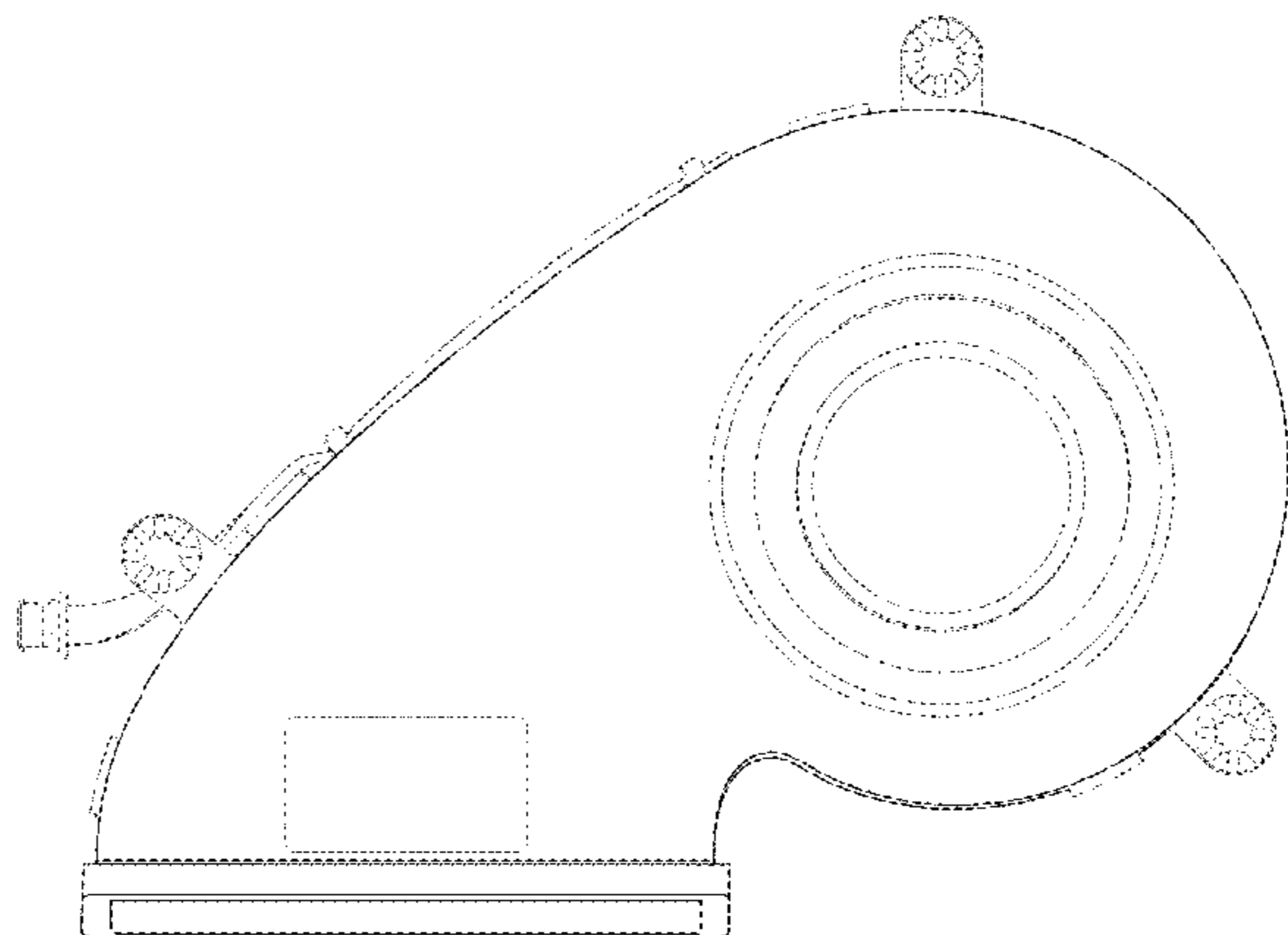
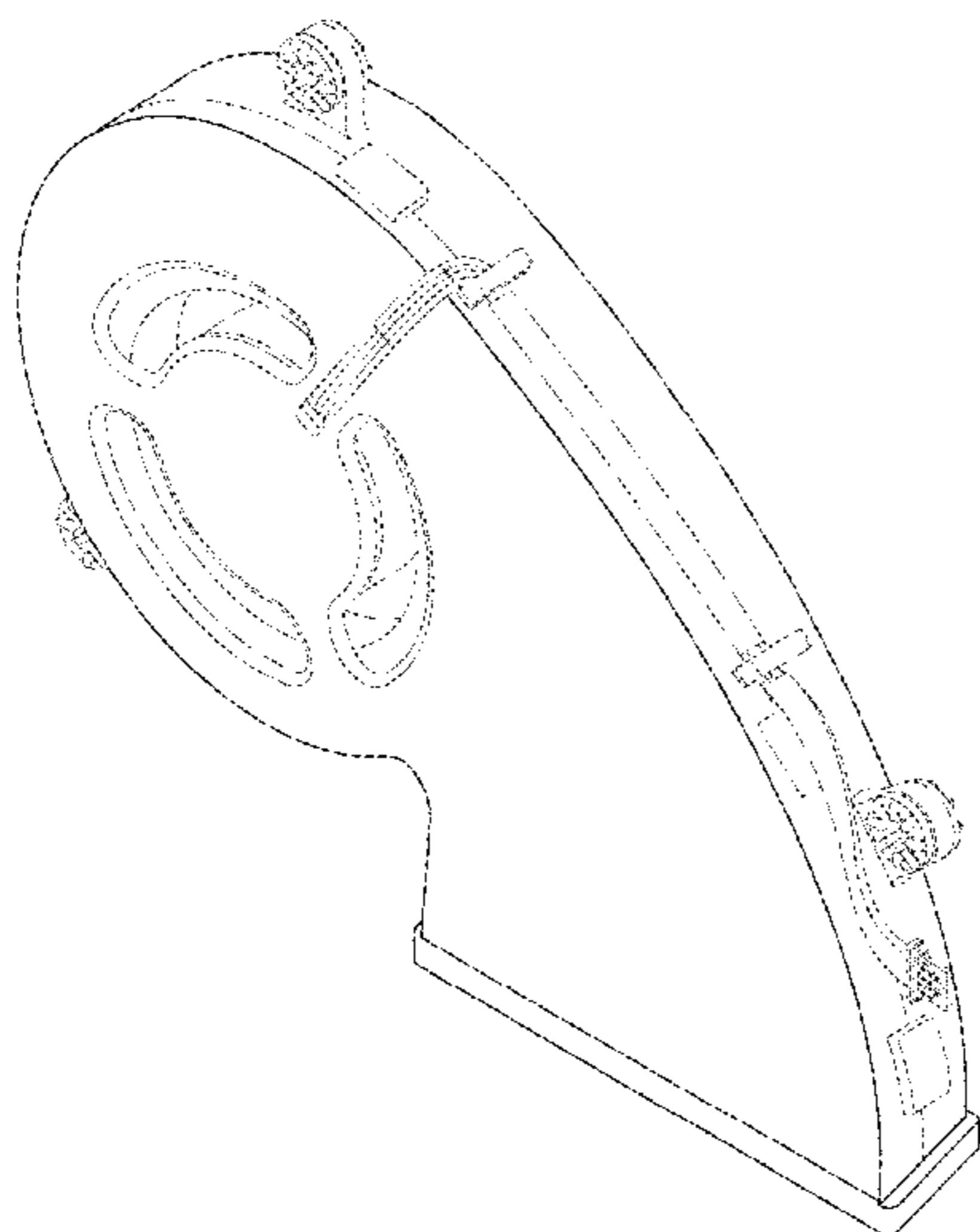
DESCRIPTION

U.S. PATENT DOCUMENTS

D310,846 S * 9/1990 Sakurai D19/69
5,535,094 A * 7/1996 Nelson et al. 361/697
5,842,840 A * 12/1998 Korek et al. 417/423.14
5,879,230 A * 3/1999 Wardlaw et al. 454/139
5,997,246 A * 12/1999 Humbad 415/119
6,034,451 A * 3/2000 El Mayas 310/63
6,199,397 B1 * 3/2001 Khelifa et al. 62/317
6,332,759 B1 * 12/2001 Guillemin et al. 417/366
6,450,878 B1 * 9/2002 Vincent 454/139
6,654,247 B1 * 11/2003 Lee 361/697
6,700,781 B2 * 3/2004 Chia-Kuan et al. 361/697
6,754,075 B2 * 6/2004 Boucheret et al. 361/697

FIG. 1 is a perspective view of a fan component showing our new design;
FIG. 2 is a front view thereof;
FIG. 3 is a rear view thereof;
FIG. 4 is a top view thereof;
FIG. 5 is a bottom view thereof;
FIG. 6 is a right side view thereof; and,
FIG. 7 is a left side view thereof.
The broken lines illustrate environmental structure and form no part of the claimed design.

1 Claim, 5 Drawing Sheets



(56)

References Cited

U.S. PATENT DOCUMENTS

7,492,588 B2 * 2/2009 Hwang et al. 361/694
 7,573,714 B2 8/2009 Ali
 7,802,617 B2 * 9/2010 Hwang et al. 165/122
 7,891,942 B2 * 2/2011 Hsu 415/184
 7,952,872 B1 * 5/2011 Hata et al. 361/697
 D643,379 S * 8/2011 Bolin D13/179
 8,100,642 B2 * 1/2012 Hwang et al. 415/206
 8,102,649 B2 * 1/2012 Ma et al. 361/679.47
 8,107,239 B2 * 1/2012 Fujiwara 361/695
 8,295,040 B2 10/2012 Knopf et al.
 8,355,253 B2 * 1/2013 Chen et al. 361/700
 8,360,718 B2 1/2013 Dybenko et al.
 D694,199 S * 11/2013 Lin D13/179
 2004/0100769 A1 * 5/2004 Chung et al. 361/697
 2005/0082035 A1 * 4/2005 Debashisu et al. 165/80.3
 2007/0297135 A1 * 12/2007 Chen 361/697
 2008/0117594 A1 * 5/2008 Hwang et al. 361/697
 2009/0016021 A1 * 1/2009 Kim et al. 361/697
 2009/0321058 A1 * 12/2009 Uchimura et al. 165/121

2010/0238628 A1 * 9/2010 Hung et al. 361/697
 2011/0080710 A1 * 4/2011 Sugiura et al. 361/697
 2011/0261532 A1 * 10/2011 Yang 361/697
 2011/0261533 A1 * 10/2011 Yang et al. 361/697
 2011/0267777 A1 * 11/2011 Oike et al. 361/697
 2012/0099278 A1 * 4/2012 Chen et al. 361/697
 2012/0224951 A1 9/2012 Degner et al.
 2012/0262880 A1 * 10/2012 Tsuchida et al. 361/697
 2013/0027881 A1 * 1/2013 Goto et al. 361/697
 2013/0044429 A1 2/2013 Knopf et al.
 2013/0075065 A1 3/2013 Degner et al.
 2013/0141869 A1 * 6/2013 Lin et al. 361/697

OTHER PUBLICATIONS

U.S. Appl. No. 29/424,273 of Bartley K. Andre et al. entitled "Thermal Device," filed Jun. 10, 2012.
 U.S. Appl. No. 29/424,268 of Bartley K. Andre et al. entitled "Electronic Device," filed Jun. 9, 2012.
 U.S. Appl. No. 29/435,191 of Bartley K. Andre et al. entitled "Electronic Device," filed Oct. 20, 2012.

* cited by examiner

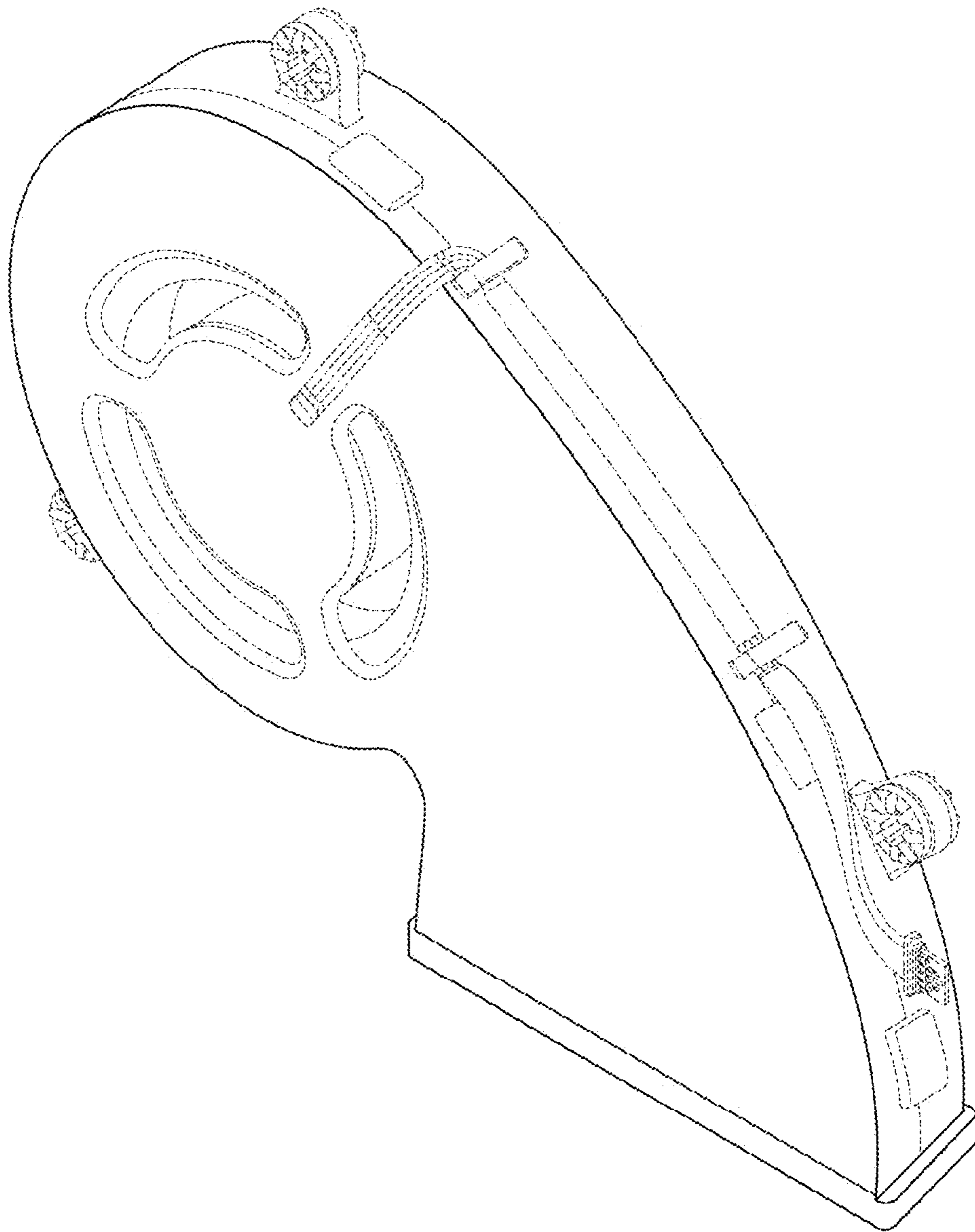


FIG. 1

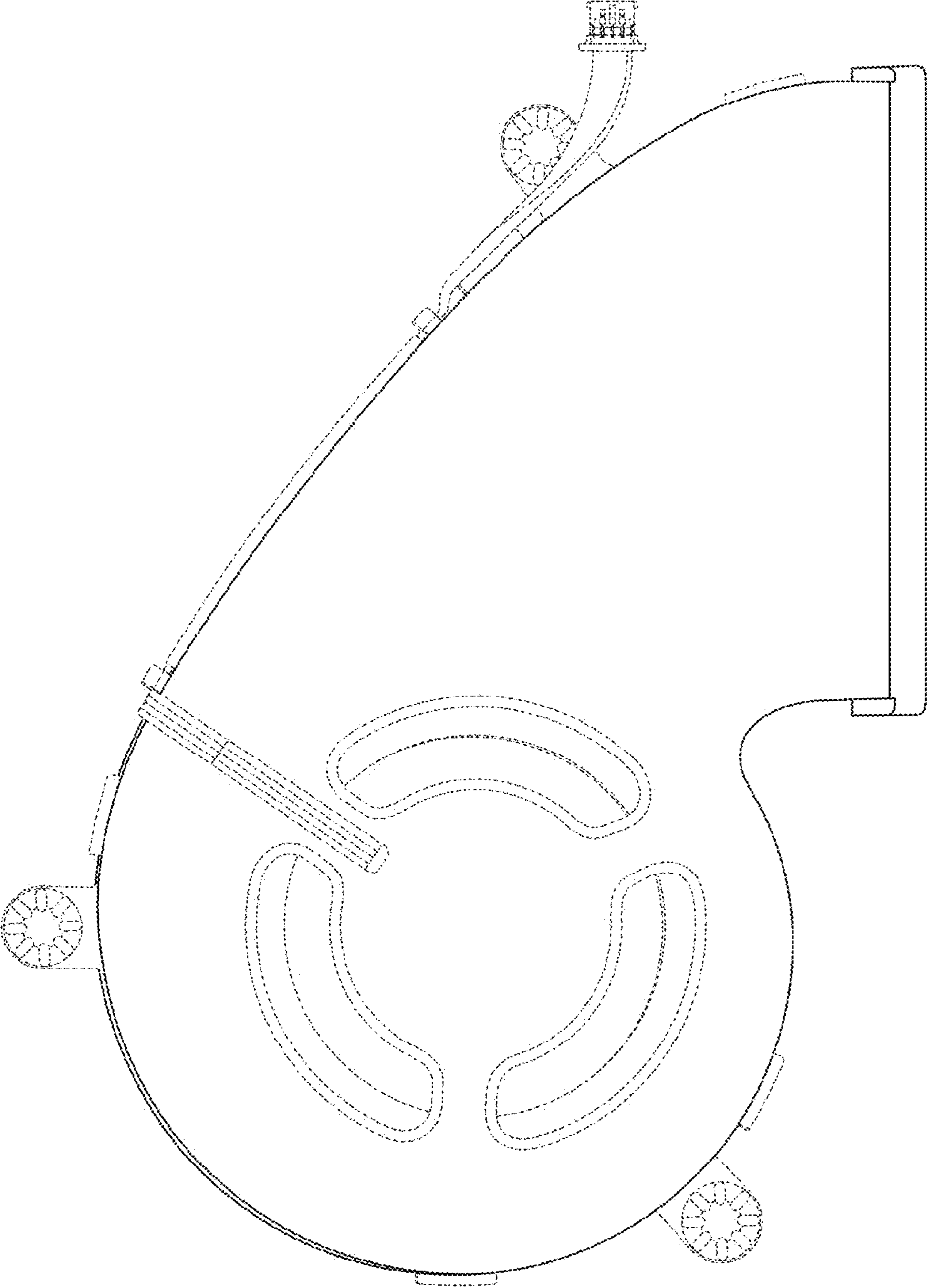


FIG. 2

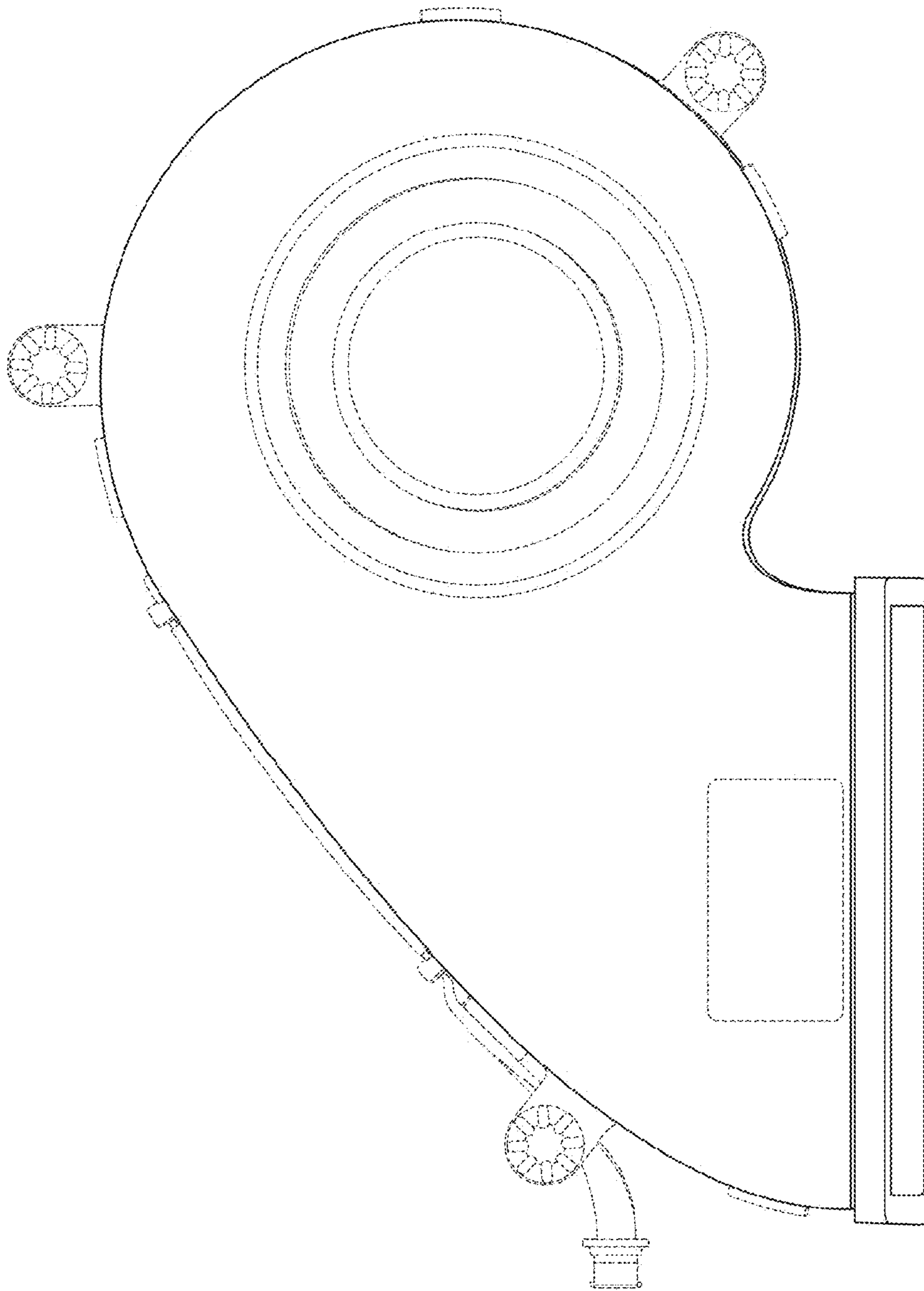


FIG. 3

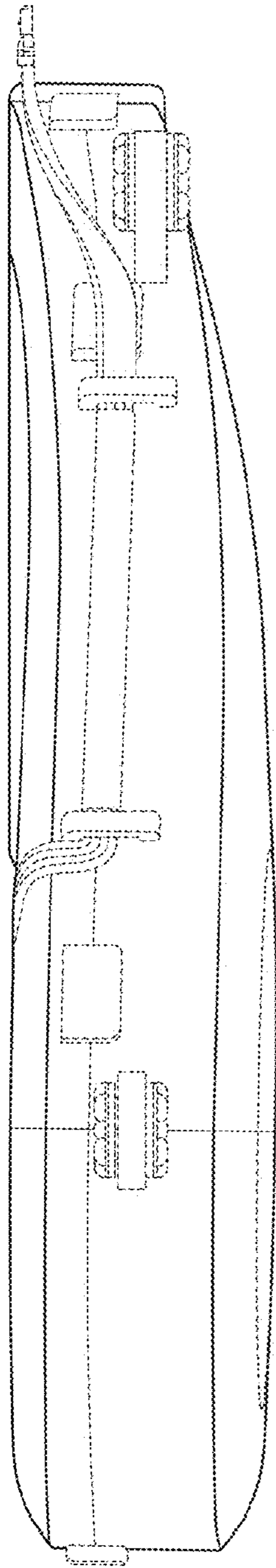


FIG. 4

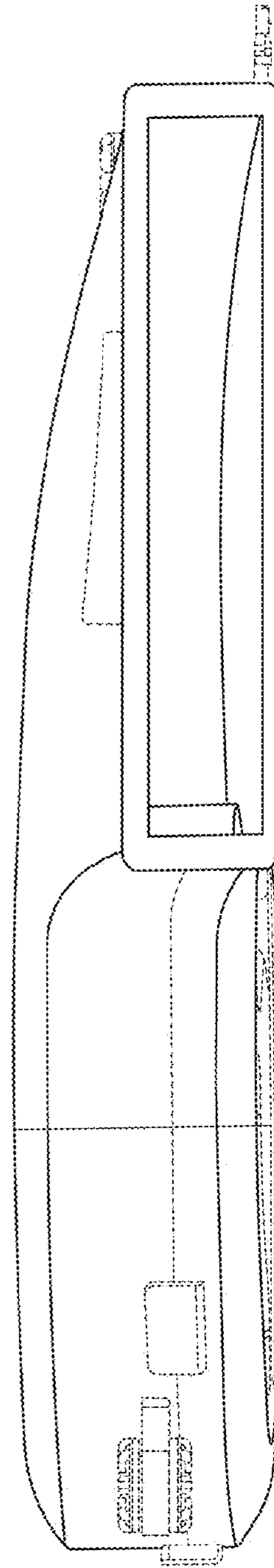


FIG. 5

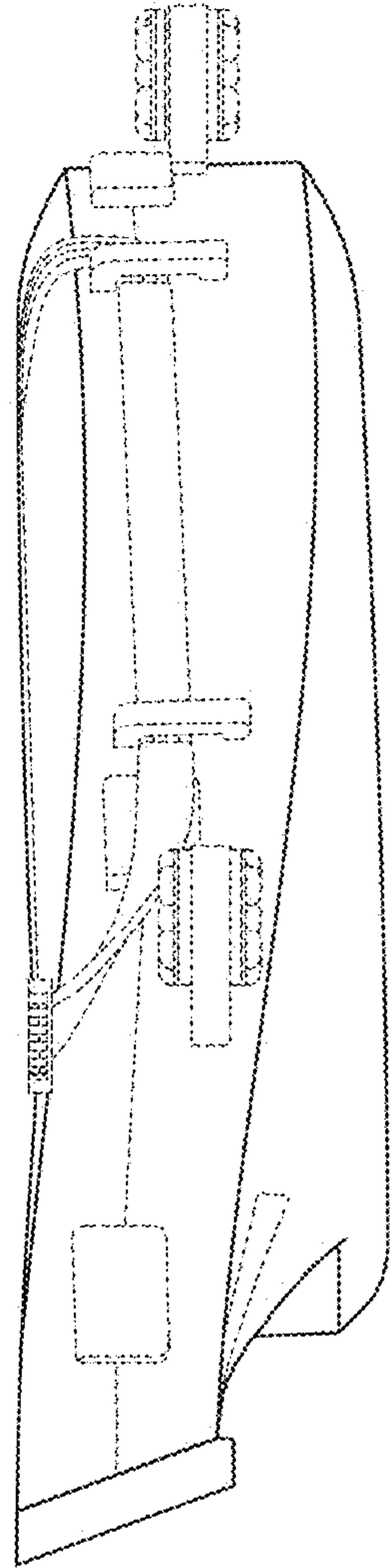


FIG. 6

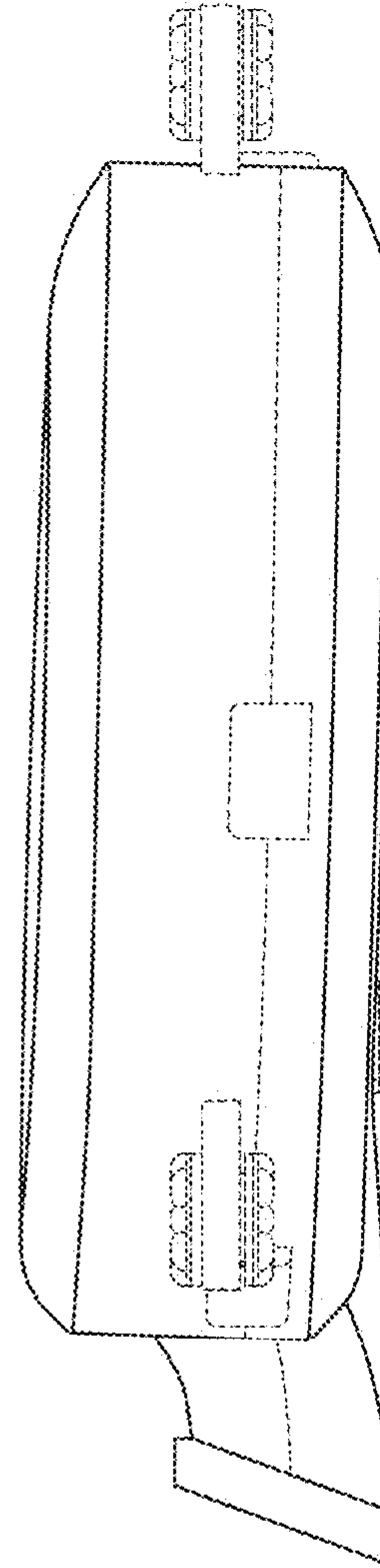


FIG. 7