



US00D708586S

(12) **United States Design Patent**
Auguste et al.

(10) **Patent No.:** **US D708,586 S**
(45) **Date of Patent:** **** Jul. 8, 2014**

(54) **GASKET FOR AN ELECTRIC PLUG**

(71) Applicants: **Donna M. Auguste**, Denver, CO (US);
David E. Hayes, Denver, CO (US)

(72) Inventors: **Donna M. Auguste**, Denver, CO (US);
David E. Hayes, Denver, CO (US)

(**) Term: **14 Years**

(21) Appl. No.: **29/453,447**

(22) Filed: **Apr. 29, 2013**

(51) **LOC (10) Cl.** **13-03**

(52) **U.S. Cl.**
USPC **D13/156**

(58) **Field of Classification Search**
USPC D13/156, 133, 137.1, 137.2, 138.1,
D13/138.2, 154, 177, 184, 199; D8/352,
D8/353, 354; D9/439; 174/1, 66, 67;
439/89, 109, 152, 445, 625, 651, 721,
439/934, 956

See application file for complete search history.

(56) **References Cited**

U.S. PATENT DOCUMENTS

4,618,740 A * 10/1986 Ray et al. 174/67
D287,238 S * 12/1986 Challans D13/133
5,007,857 A * 4/1991 Wright 439/490
D359,270 S * 6/1995 Connelly D13/154

D370,846 S * 6/1996 Hanna D9/439
5,588,853 A * 12/1996 Anthony 439/136
D383,727 S * 9/1997 Caruso et al. D13/156
D462,056 S * 8/2002 Chung D13/137.1
D487,726 S * 3/2004 Okuda D13/156
6,884,125 B2 * 4/2005 Chen 439/848
D622,217 S * 8/2010 Green D13/137.2
D636,336 S * 4/2011 Clark D13/137.2
8,616,904 B1 * 12/2013 Martin et al. 439/188
2013/0330965 A1 * 12/2013 Hildebrandt 439/559

* cited by examiner

Primary Examiner — Derrick Holland

(74) *Attorney, Agent, or Firm* — TIPS Group

(57) **CLAIM**

The ornamental design for a gasket for an electric plug, as shown and described.

DESCRIPTION

FIG. 1 is a perspective view of a gasket for an electric plug showing my new design;

FIG. 2 is a front elevational view thereof, a rear elevational view being a mirror image;

FIG. 3 is a top plan view of the new design;

FIG. 4 is a bottom plan view of the new design; and,

FIG. 5 is a left side elevational view thereof, a right side elevational view being a mirror image.

The broken lines shown represent unclaimed subject matter and form no part of the claimed design.

1 Claim, 1 Drawing Sheet

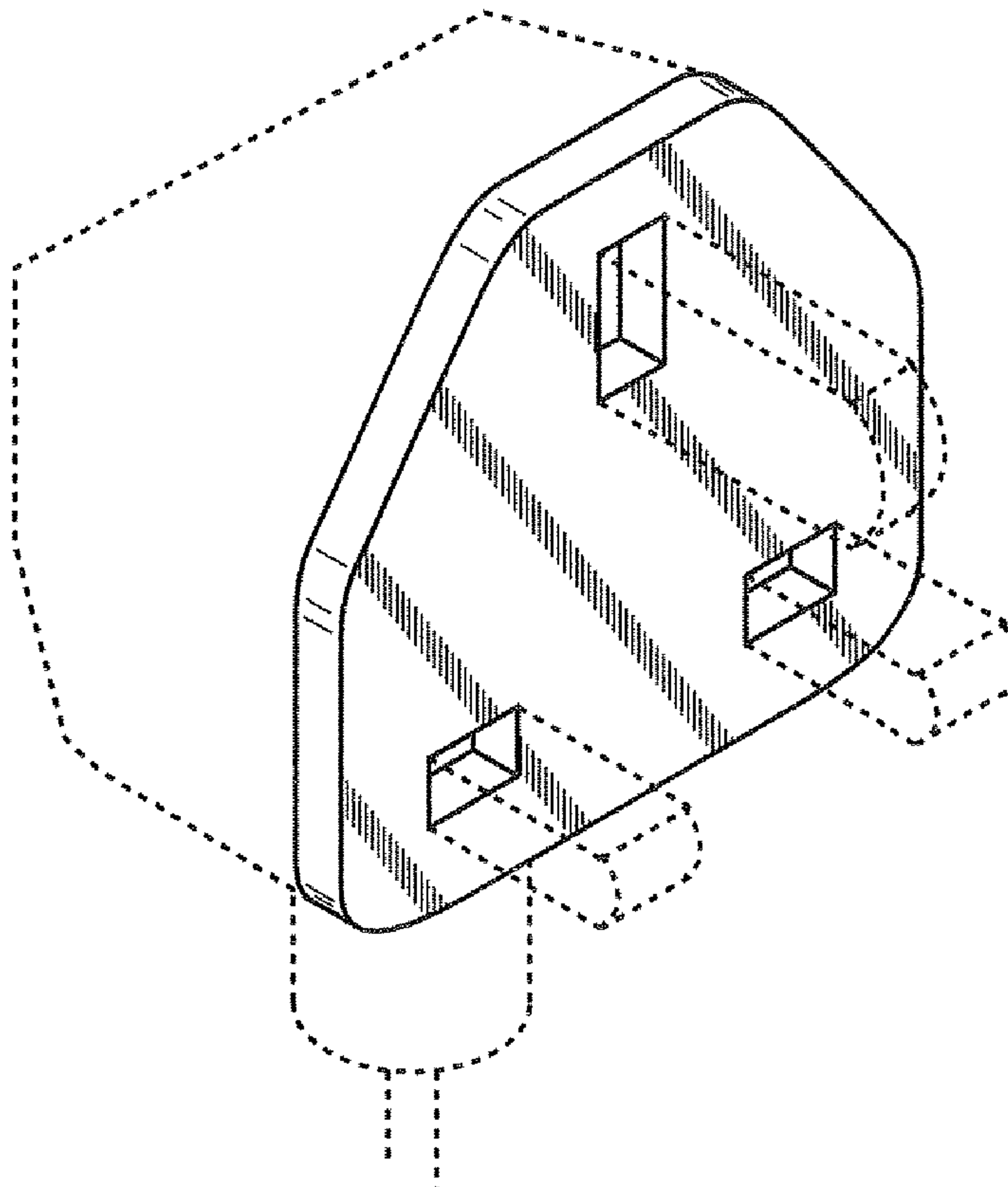


Fig. 1

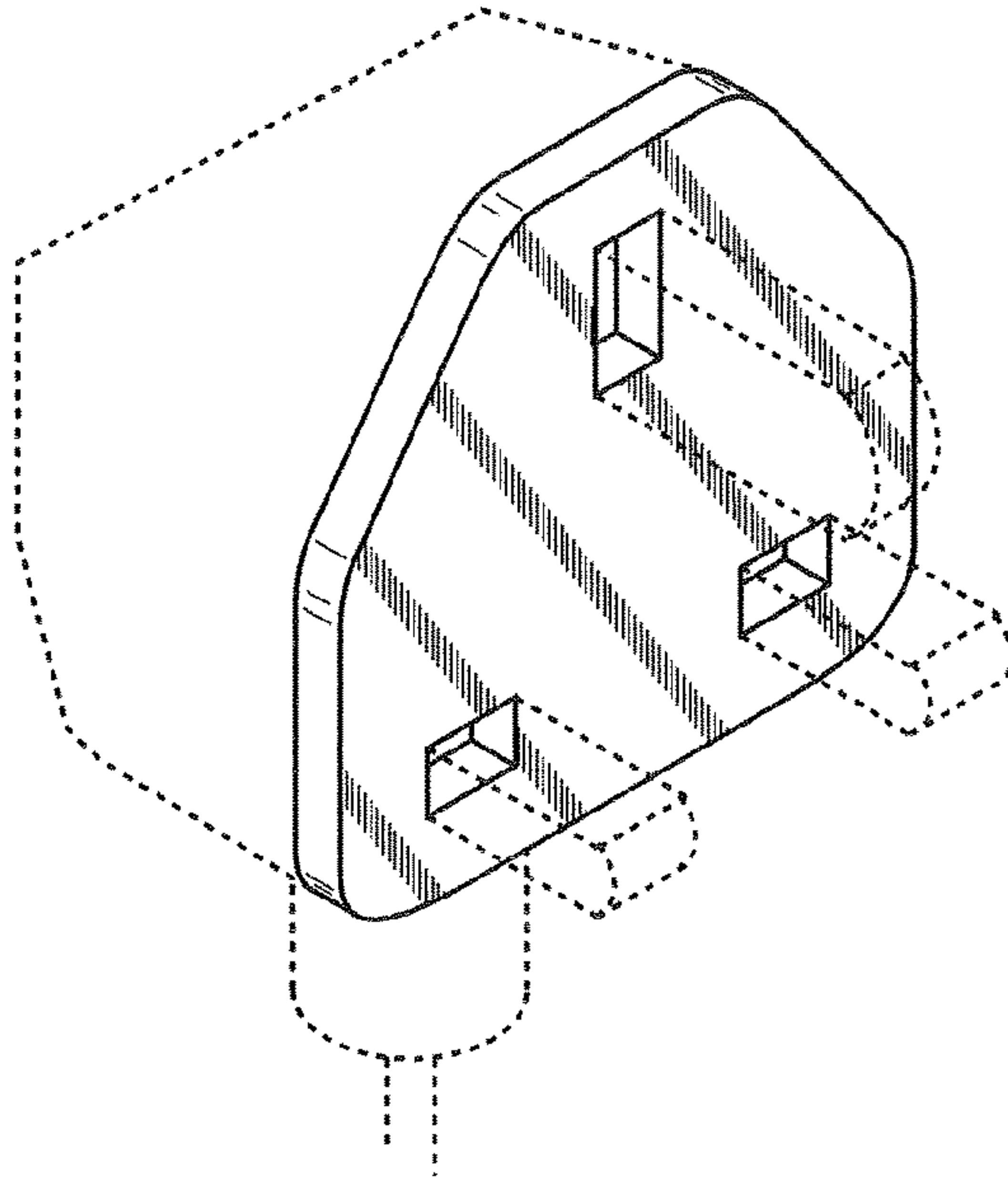


Fig. 2

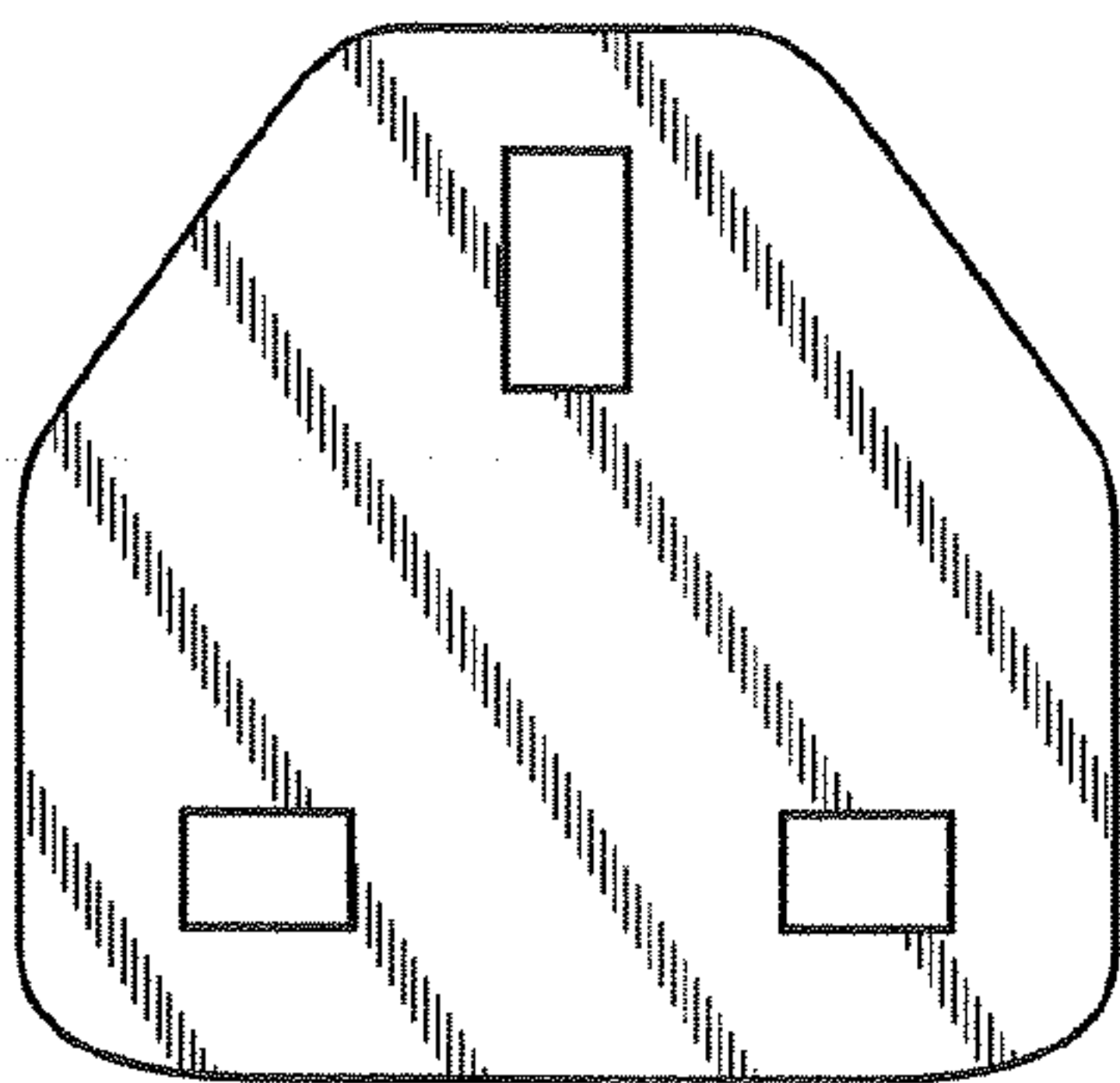


Fig. 3



Fig. 4



Fig. 5

