



US00D708585S

(12) **United States Design Patent**
Chen

(10) **Patent No.:** **US D708,585 S**

(45) **Date of Patent:** **** Jul. 8, 2014**

(54) **CABLE ORGANIZER UNIT**

(71) Applicant: **Kevin Fong Chen**, Anaheim, CA (US)

(72) Inventor: **Kevin Fong Chen**, Anaheim, CA (US)

(**) Term: **14 Years**

(21) Appl. No.: **29/451,436**

(22) Filed: **Apr. 2, 2013**

(51) **LOC (10) Cl.** **13-03**

(52) **U.S. Cl.**
USPC **D13/155**

(58) **Field of Classification Search**
USPC D13/155, 129, 131, 132, 133, 153, 154,
D13/156, 157, 184, 199; D8/354, 356, 366,
D8/380, 396; 138/106, 107, 112, 113, 116,
138/117, 155-158, 166-169, 174; 174/38,
174/68.1, 68.2, 68.3, 101, 135, 136
See application file for complete search history.

(56) **References Cited**

U.S. PATENT DOCUMENTS

2,595,452	A *	5/1952	Geist et al.	174/68.3
D267,776	S *	2/1983	Holgerson et al.	D8/396
4,801,764	A *	1/1989	Ohlhaber	174/70 C
5,289,559	A *	2/1994	Wilson	385/136
D454,116	S *	3/2002	Barlow et al.	D13/153
D457,141	S *	5/2002	Barlow et al.	D13/153
D506,444	S *	6/2005	Nakamura	D13/153
D531,708	S *	11/2006	Wagner et al.	D23/266
D689,824	S *	9/2013	Ng et al.	D13/155

* cited by examiner

Primary Examiner — Derrick Holland

(74) *Attorney, Agent, or Firm* — C. G. Mersereau; Nikolai & Mersereau, P.A.

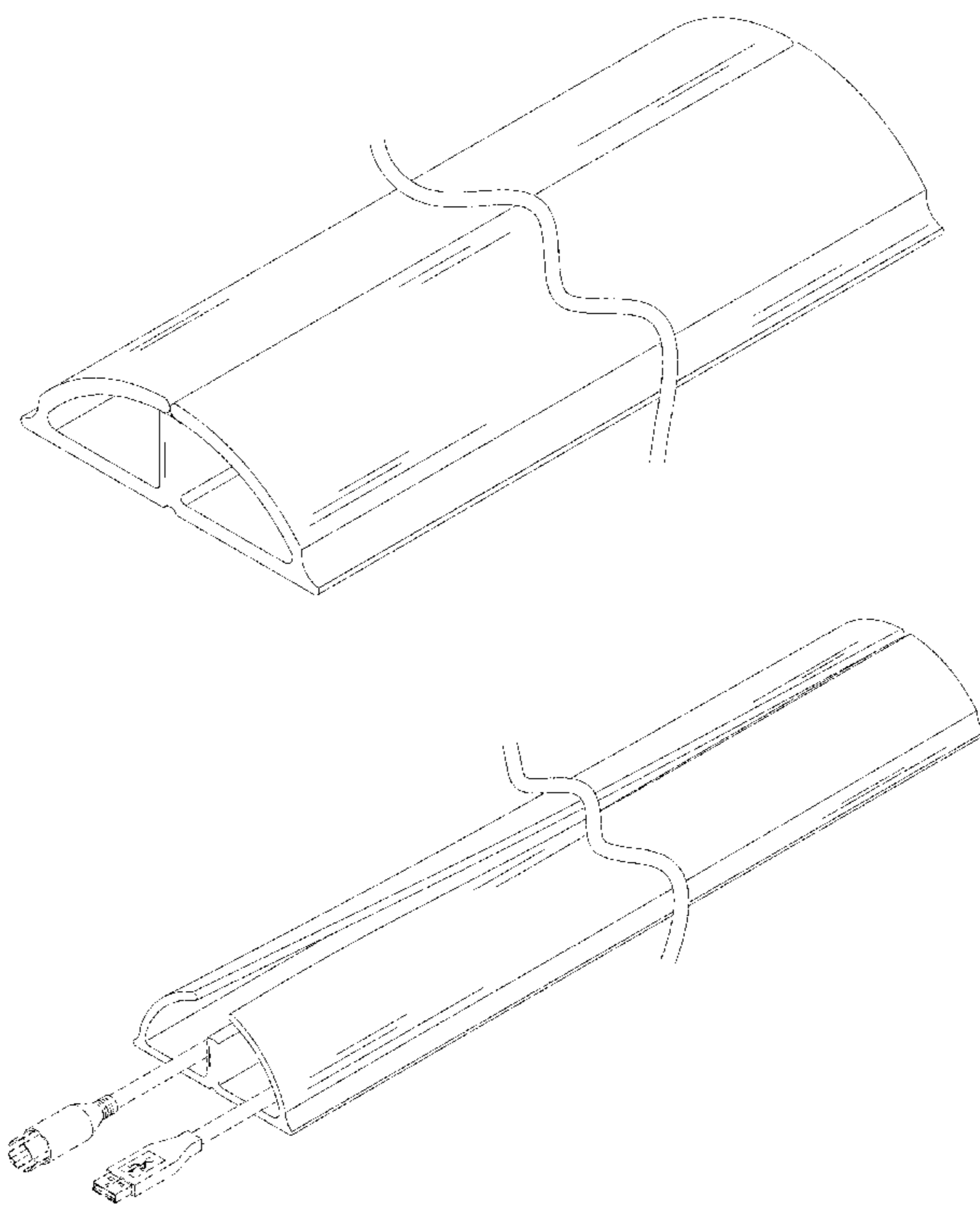
(57) **CLAIM**

The ornamental design for a cable organizer unit, as shown and described.

DESCRIPTION

FIG. 1 is a perspective view of a cable organizer unit showing my design;
 FIG. 2 is a top plan view thereof;
 FIG. 3 is a bottom plan view thereof;
 FIG. 4 is a right view thereof;
 FIG. 5 is a left view thereof;
 FIG. 6 is a front view thereof;
 FIG. 7 is a rear view thereof;
 FIG. 8 is a perspective view shown in environmental use with the cable organizer unit shown in an alternate condition;
 FIG. 9 is a second perspective view shown in environmental use with the cable organizer unit shown in an alternate condition;
 FIG. 10 is a third perspective view shown in environmental use with the cable organizer unit shown in an alternate condition; and,
 FIG. 11 is a perspective view thereof in storage.
 The broken lines shown represent unclaimed subject matter and form no part of the claimed design. The cable organizer unit is shown broken to represent indeterminate length. The indeterminate portion of the article forms no part of the claimed design. Patentability is based only on those portions of the cable organizer unit that are shown in solid lines.

1 Claim, 11 Drawing Sheets



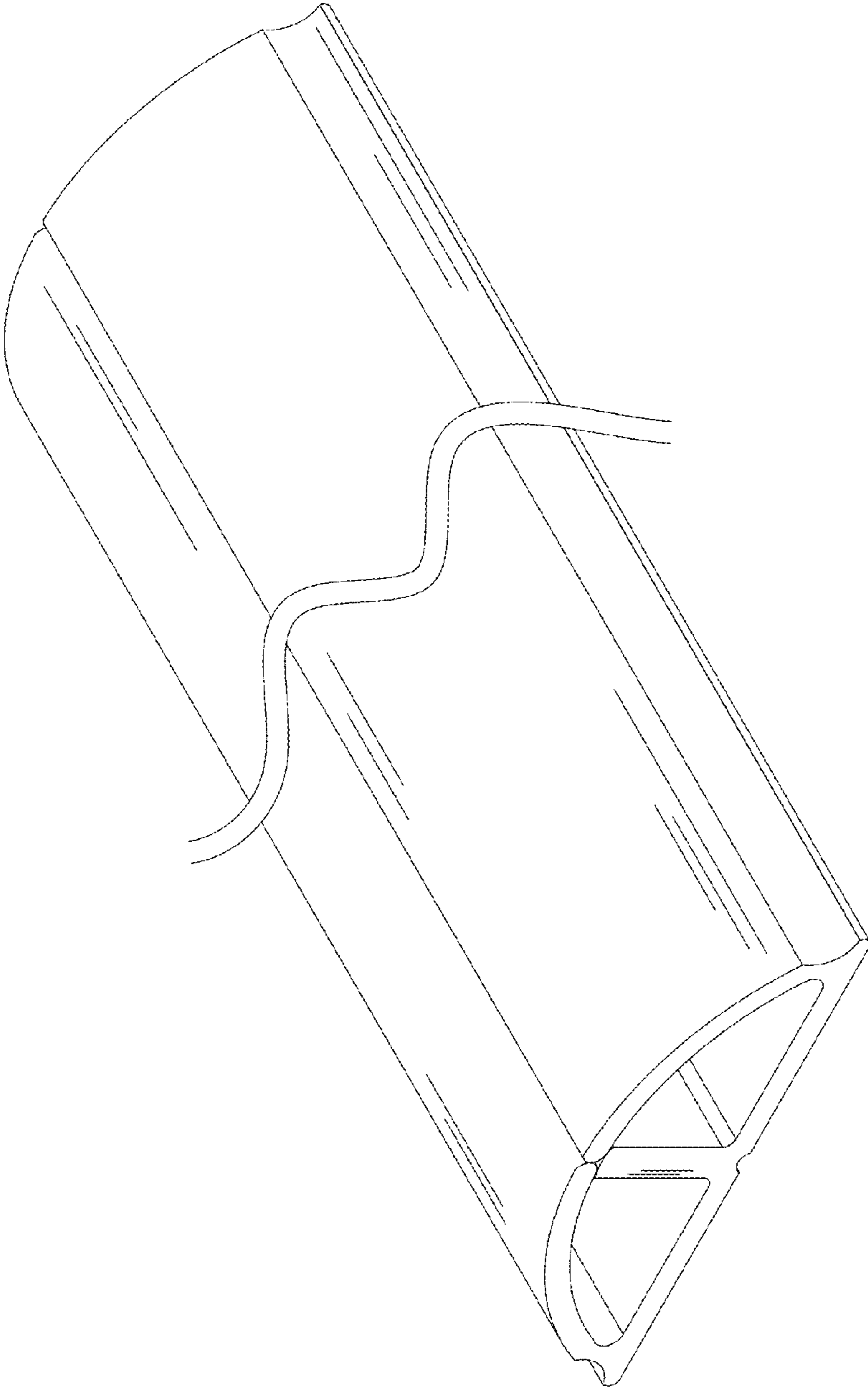


Fig. 1

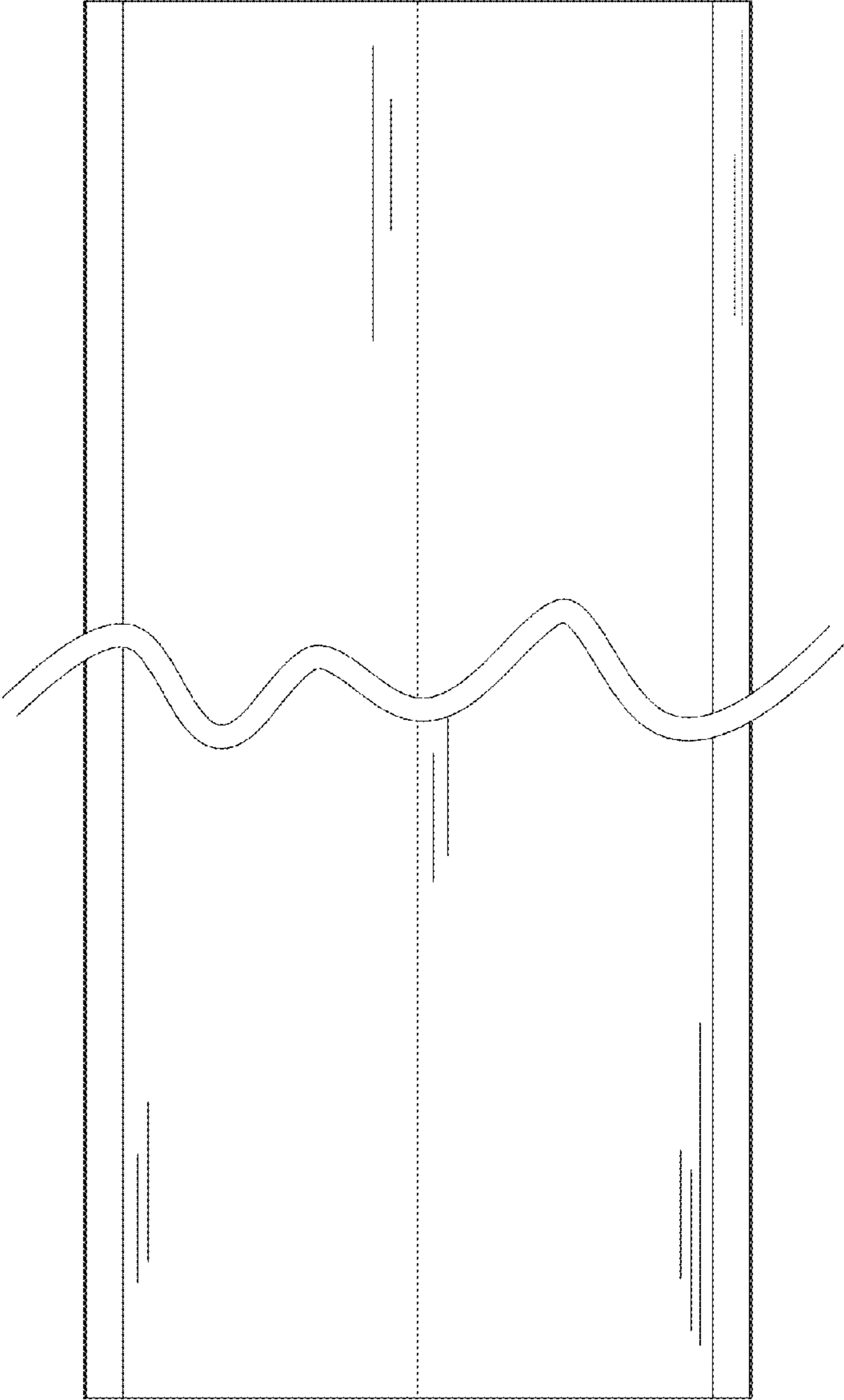


Fig. 2

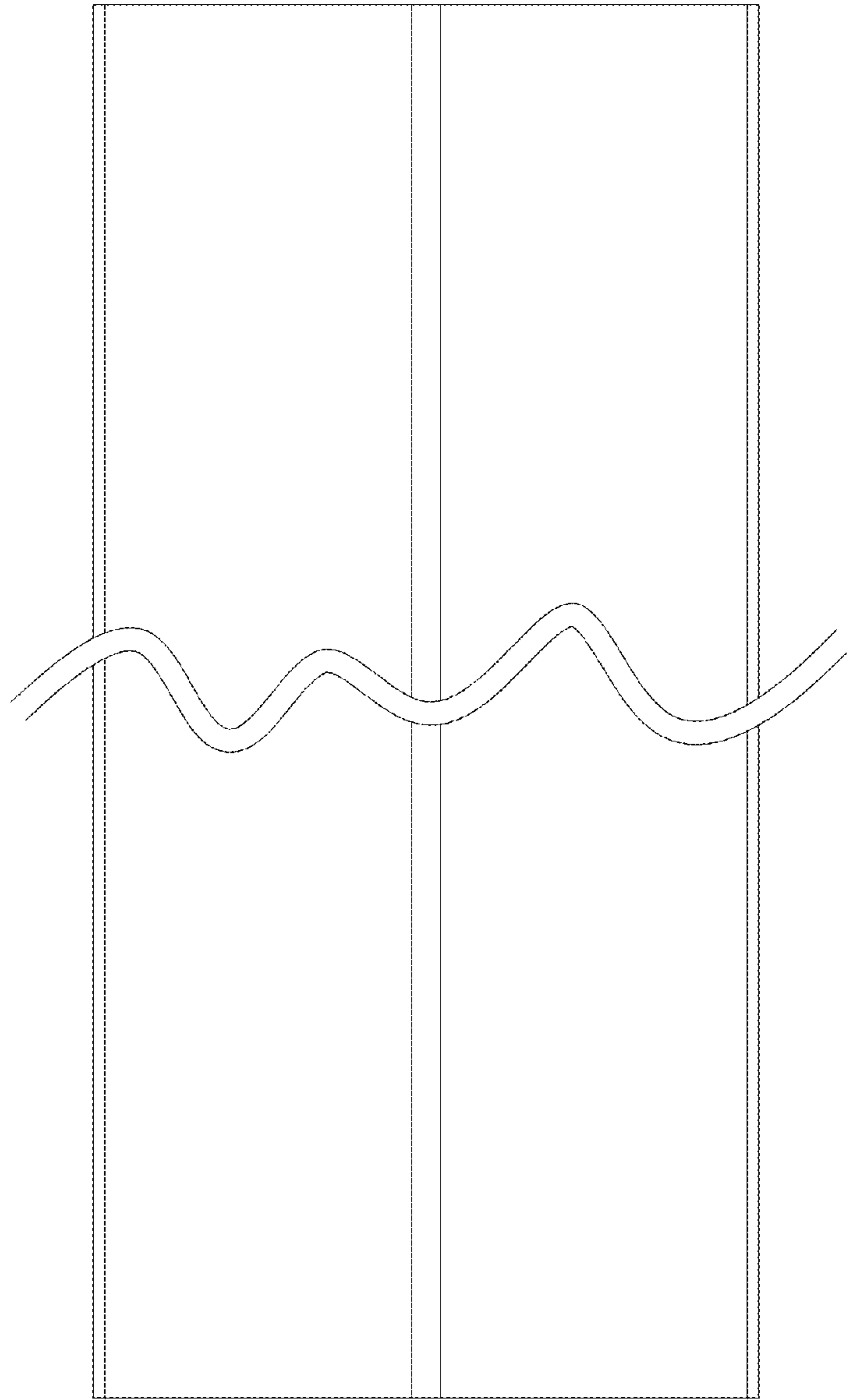


Fig. 3

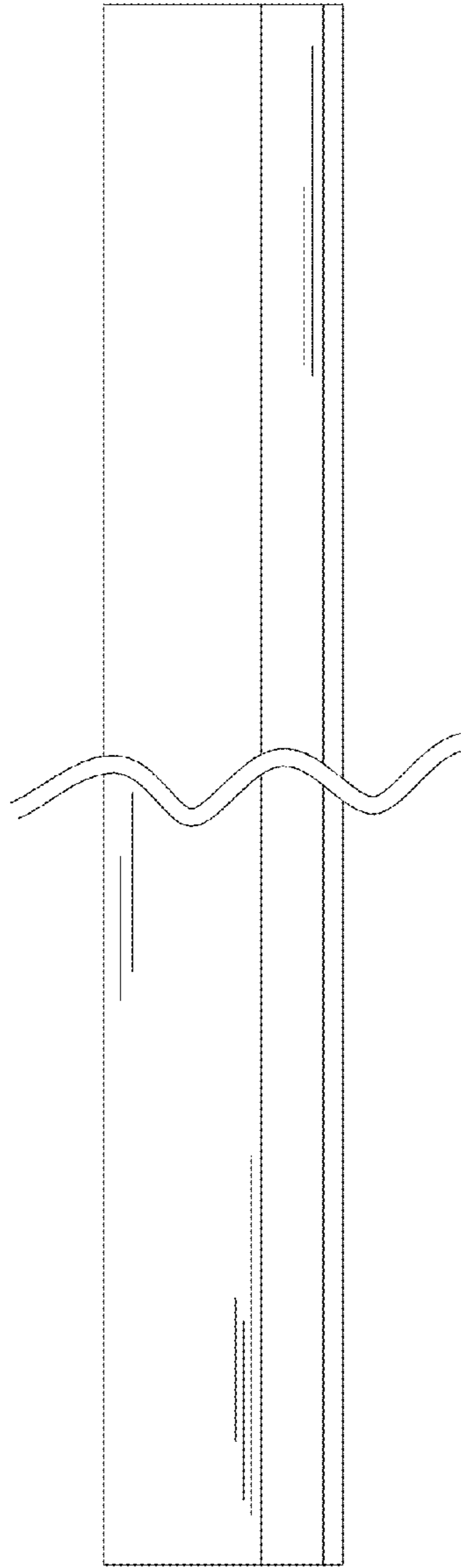


Fig. 4

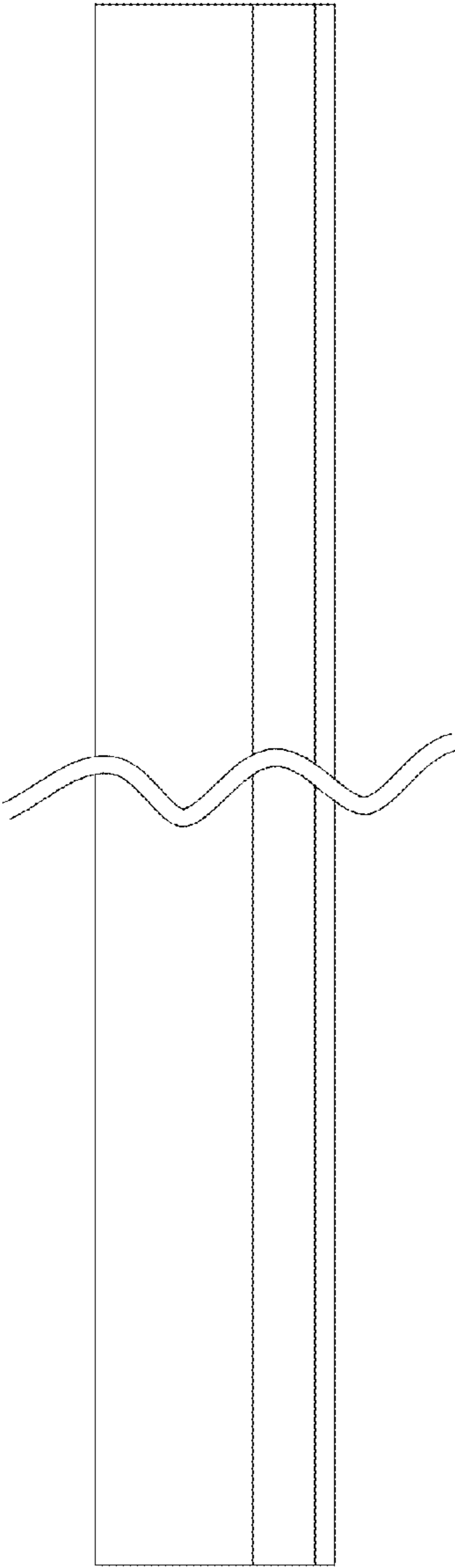


Fig. 5

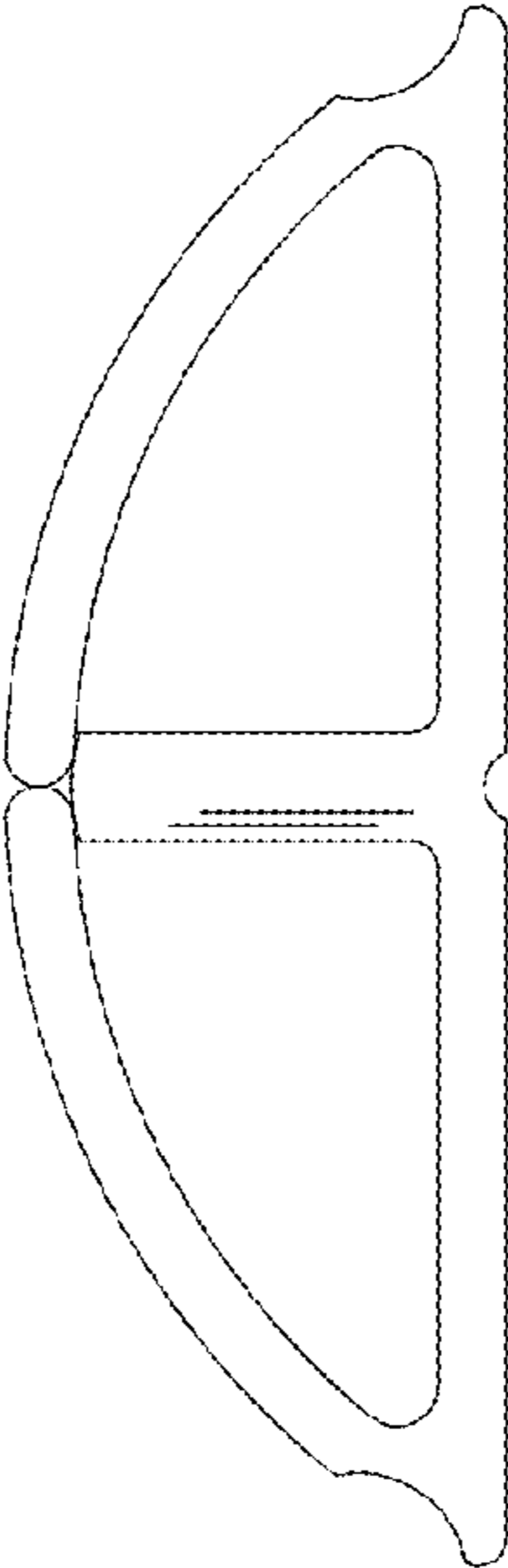


Fig. 6

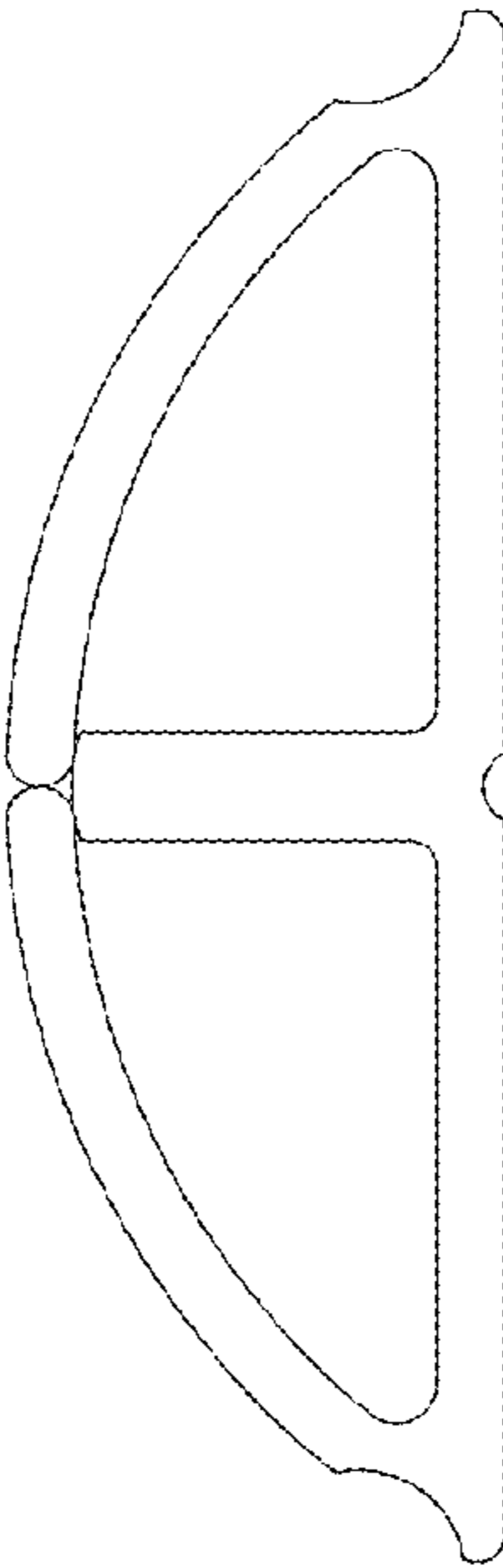


Fig. 7

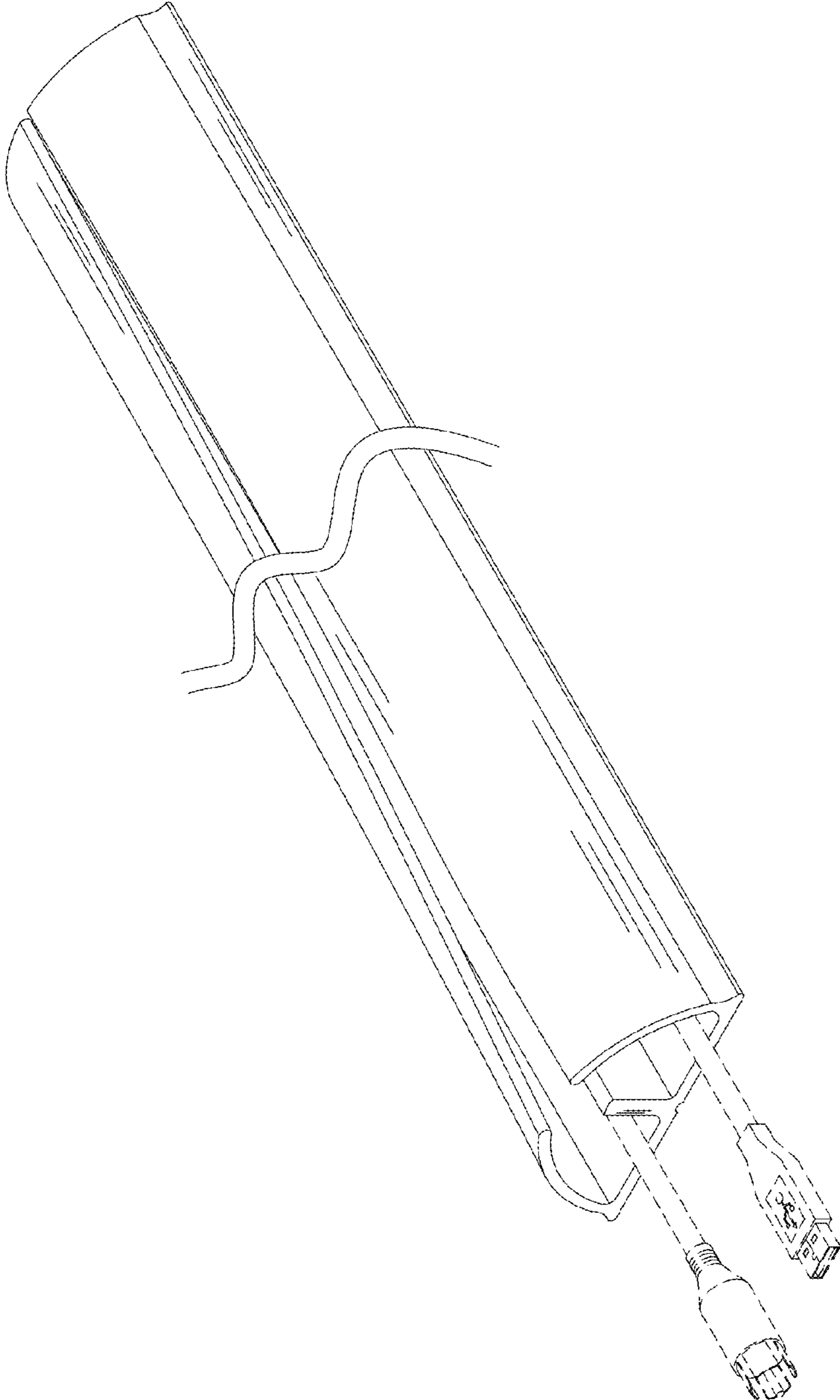


Fig. 8

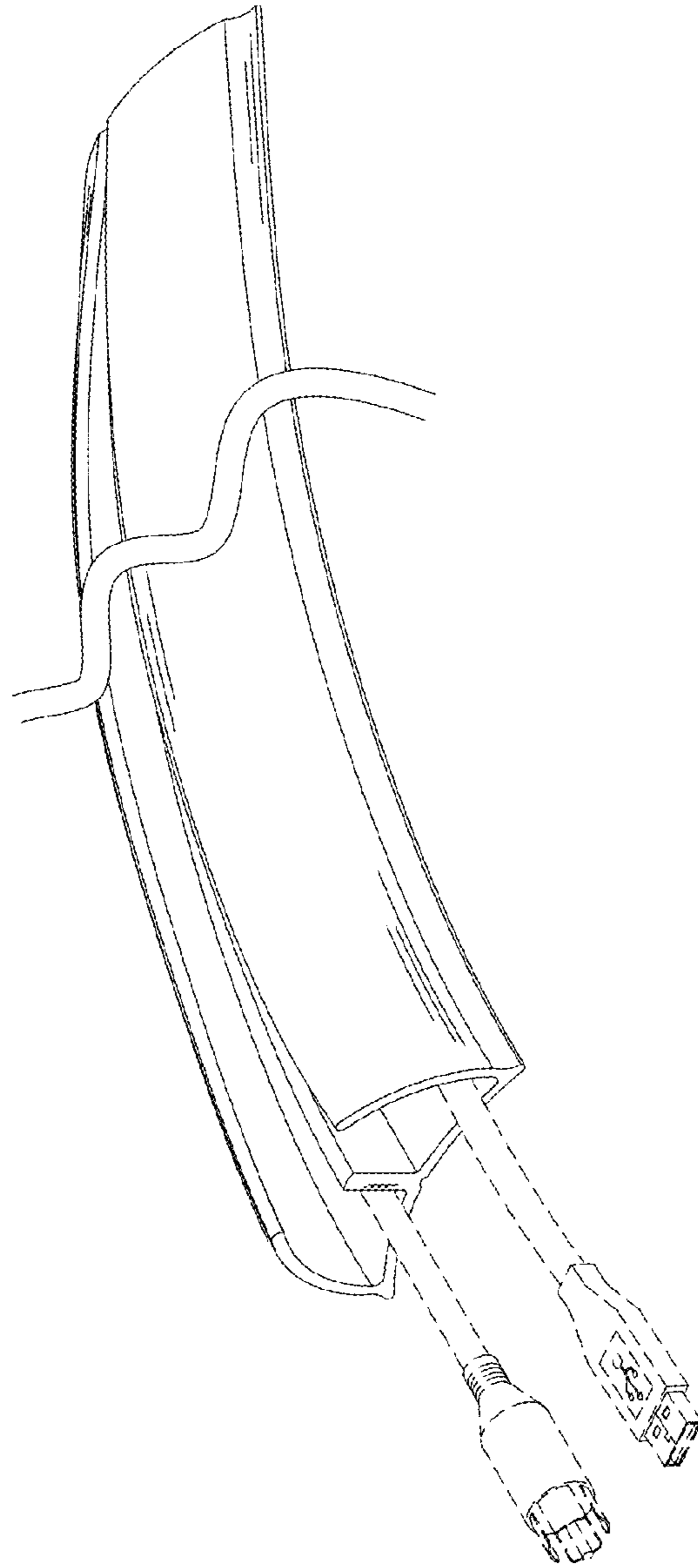


Fig. 9

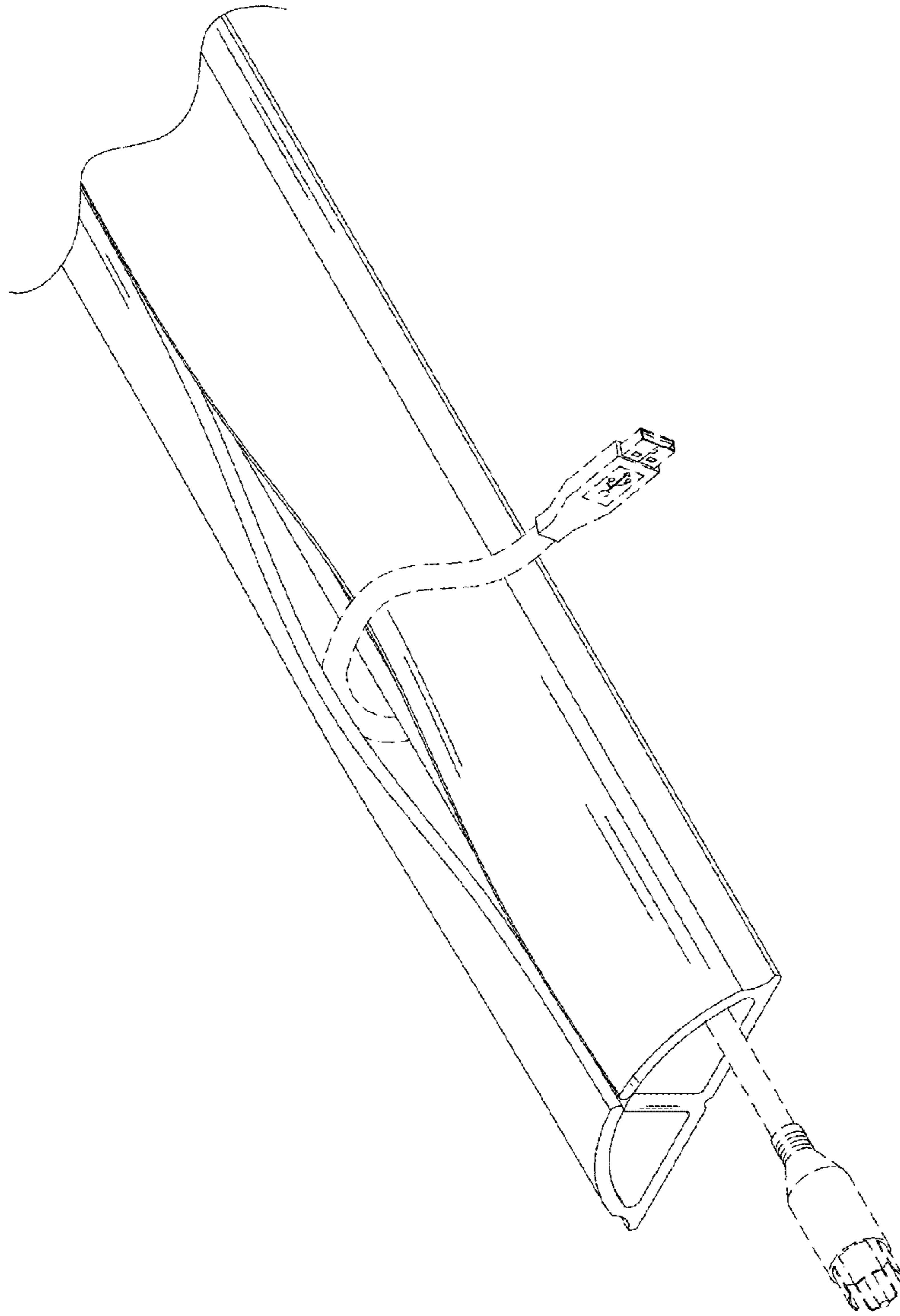


Fig. 10

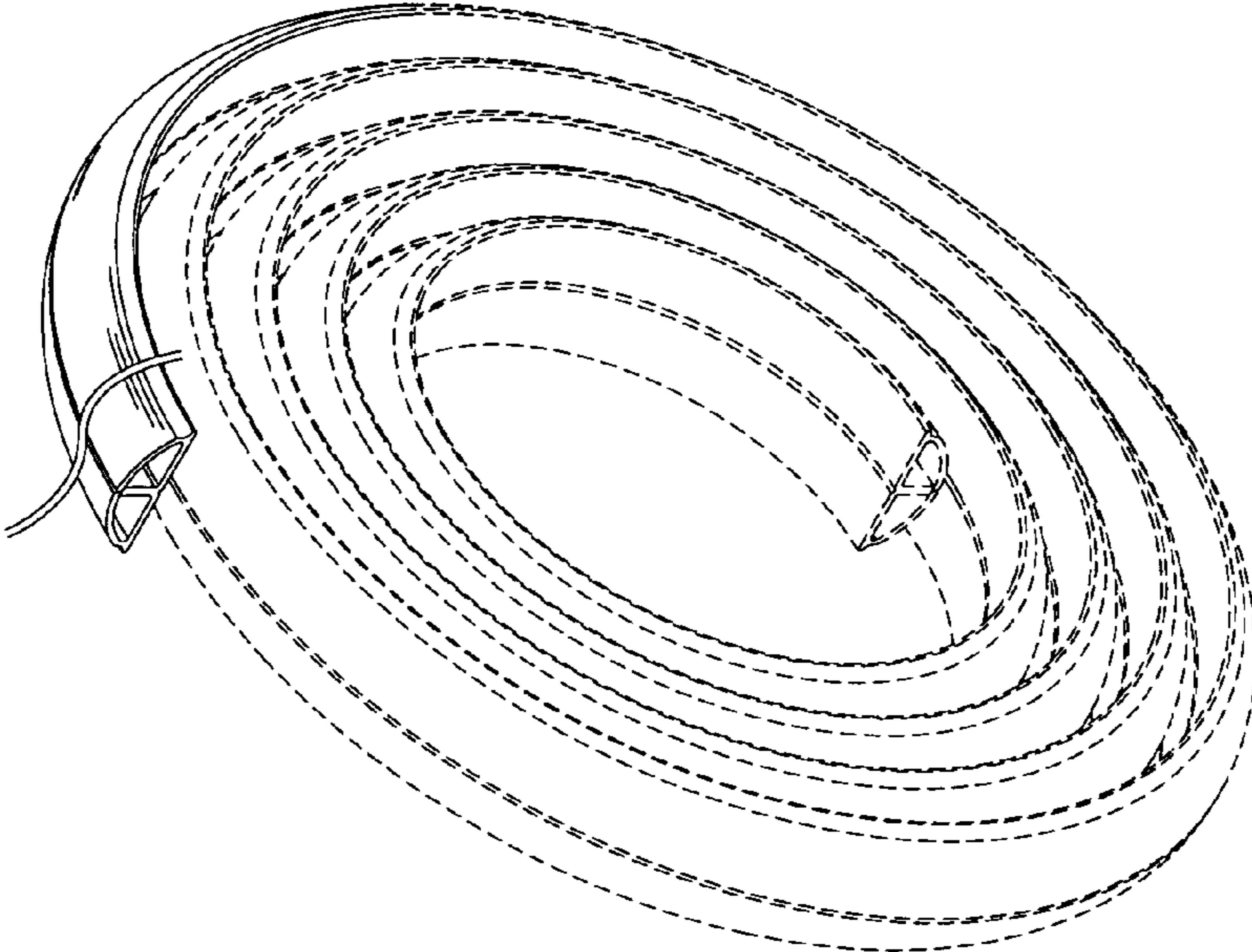


Fig. 11