



US00D708583S

(12) **United States Design Patent**  
**Asano**

(10) **Patent No.:** **US D708,583 S**  
(45) **Date of Patent:** **\*\* Jul. 8, 2014**

(54) **ELECTRICAL CONNECTOR**

(71) Applicant: **Hosiden Corporation**, Yao (JP)

(72) Inventor: **Takao Asano**, Yao (JP)

(73) Assignee: **Hosiden Corporation**, Yao-Shi (JP)

(\*\*) Term: **14 Years**

(21) Appl. No.: **29/481,490**

(22) Filed: **Feb. 6, 2014**

(30) **Foreign Application Priority Data**

Aug. 9, 2013 (JP) ..... 2013-018298

(51) **LOC (10) Cl.** ..... **13-03**

(52) **U.S. Cl.**  
USPC ..... **D13/147**

(58) **Field of Classification Search**  
USPC ..... D13/147, 154, 184, 199; 439/79, 108,  
439/135, 180, 246, 278, 291, 328, 344, 350,  
439/353, 357, 358, 374, 378, 381, 391, 489,  
439/509, 527, 529, 530, 533, 587, 594, 598,  
439/607.01, 607.04, 607.05, 607.17,  
439/607.25, 607.34, 607.41, 607.53, 626,  
439/629, 637, 656, 660, 668, 676, 680, 711,  
439/745, 752, 892, 894

See application file for complete search history.

(56) **References Cited**

U.S. PATENT DOCUMENTS

D636,339	S	*	4/2011	Hsu et al.	.....	D13/147
D638,365	S	*	5/2011	Hsu et al.	.....	D13/147
D671,895	S	*	12/2012	Wang et al.	.....	D13/147
D671,896	S	*	12/2012	Wang et al.	.....	D13/147
D686,162	S	*	7/2013	Yokohama	.....	D13/147
D686,575	S	*	7/2013	Sato	.....	D13/147
D689,023	S	*	9/2013	Naito	.....	D13/147

\* cited by examiner

*Primary Examiner* — Daniel Bui

(74) *Attorney, Agent, or Firm* — Rankin, Hill & Clark LLP

(57) **CLAIM**

The ornamental design for an electrical connector, as shown and described.

**DESCRIPTION**

FIG. 1 is a front, right side and top perspective view of an electrical connector showing my new design;  
FIG. 2 is a front, right side and bottom perspective view thereof;  
FIG. 3 is a rear, left side and bottom perspective view thereof;  
FIG. 4 is a front elevation view thereof;  
FIG. 5 is a rear elevation view thereof;  
FIG. 6 is a left side view thereof, a right side view being a mirror image thereof;  
FIG. 7 is a top plan view thereof; and,  
FIG. 8 is a bottom plan view of the electrical connector in accordance with the embodiment of my new design.

**1 Claim, 4 Drawing Sheets**

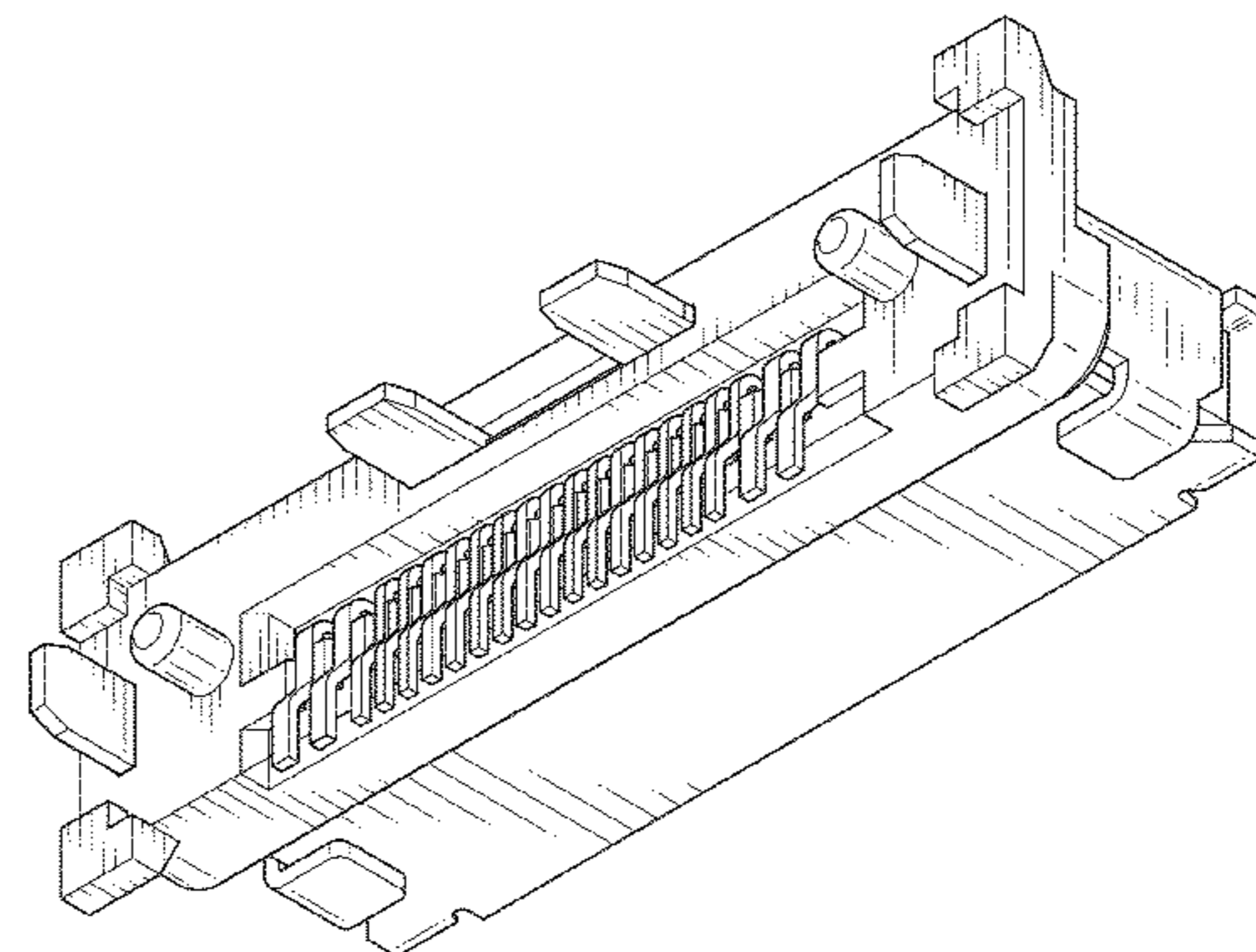
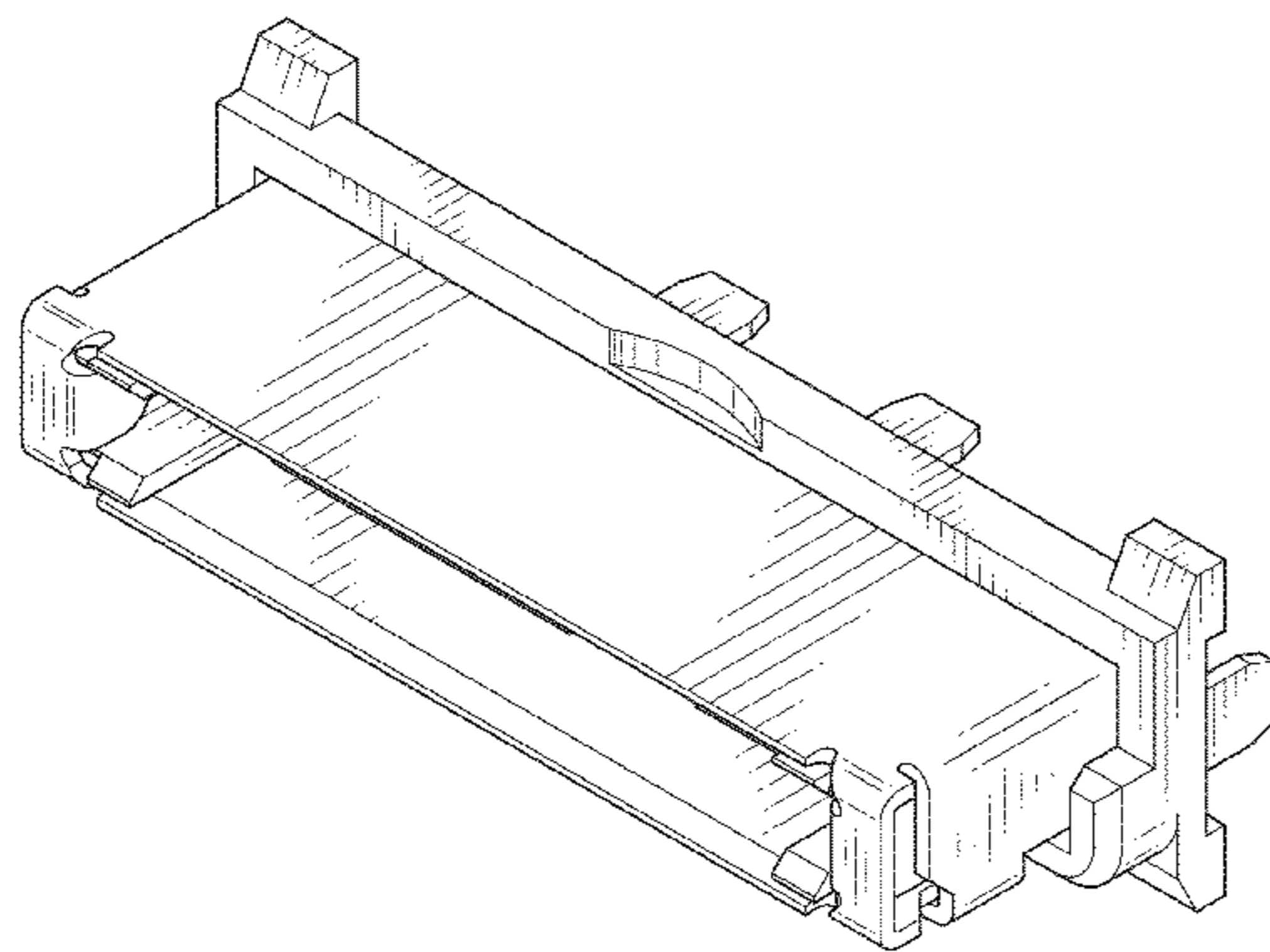


Fig. 1

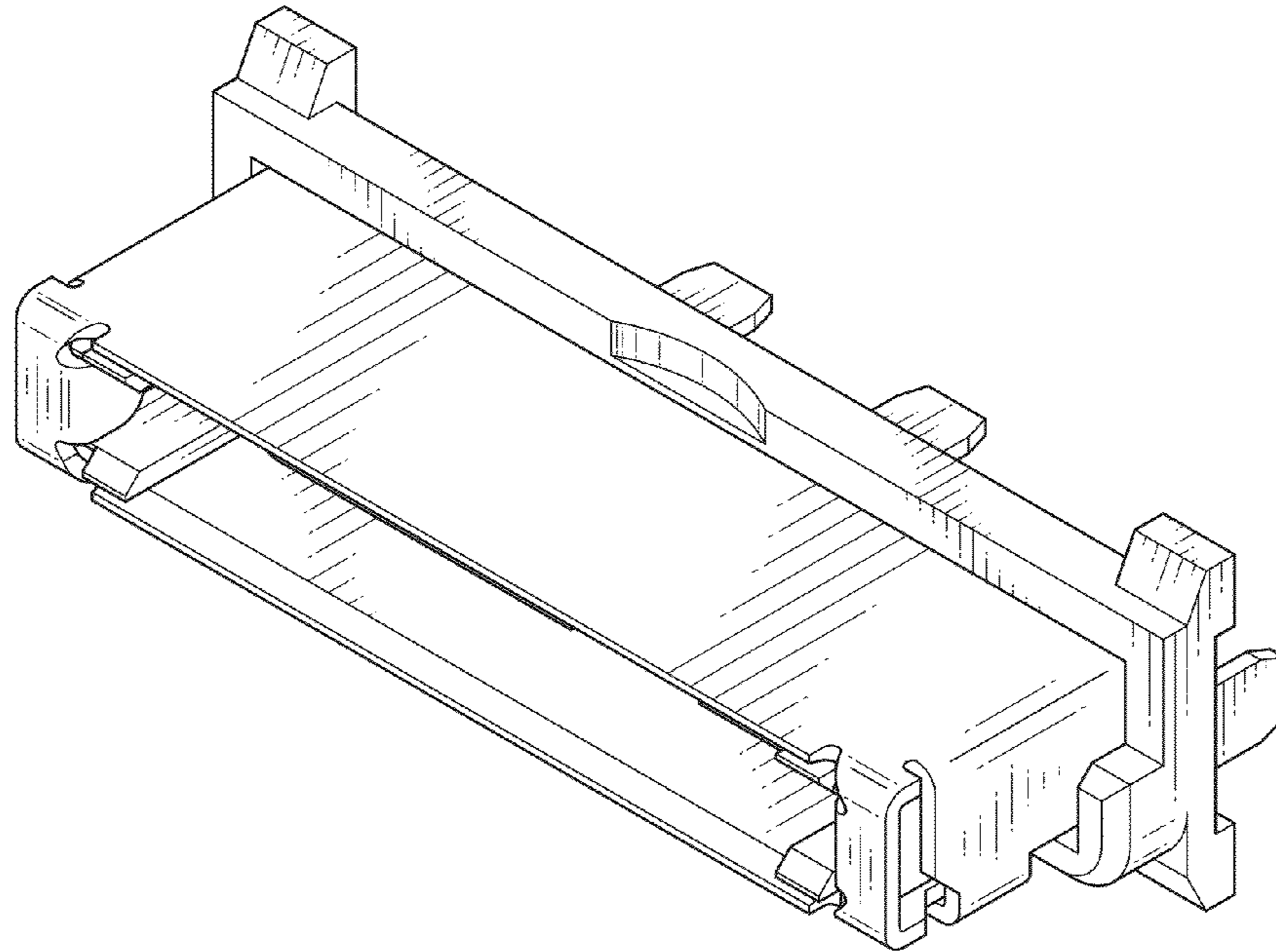


Fig. 2

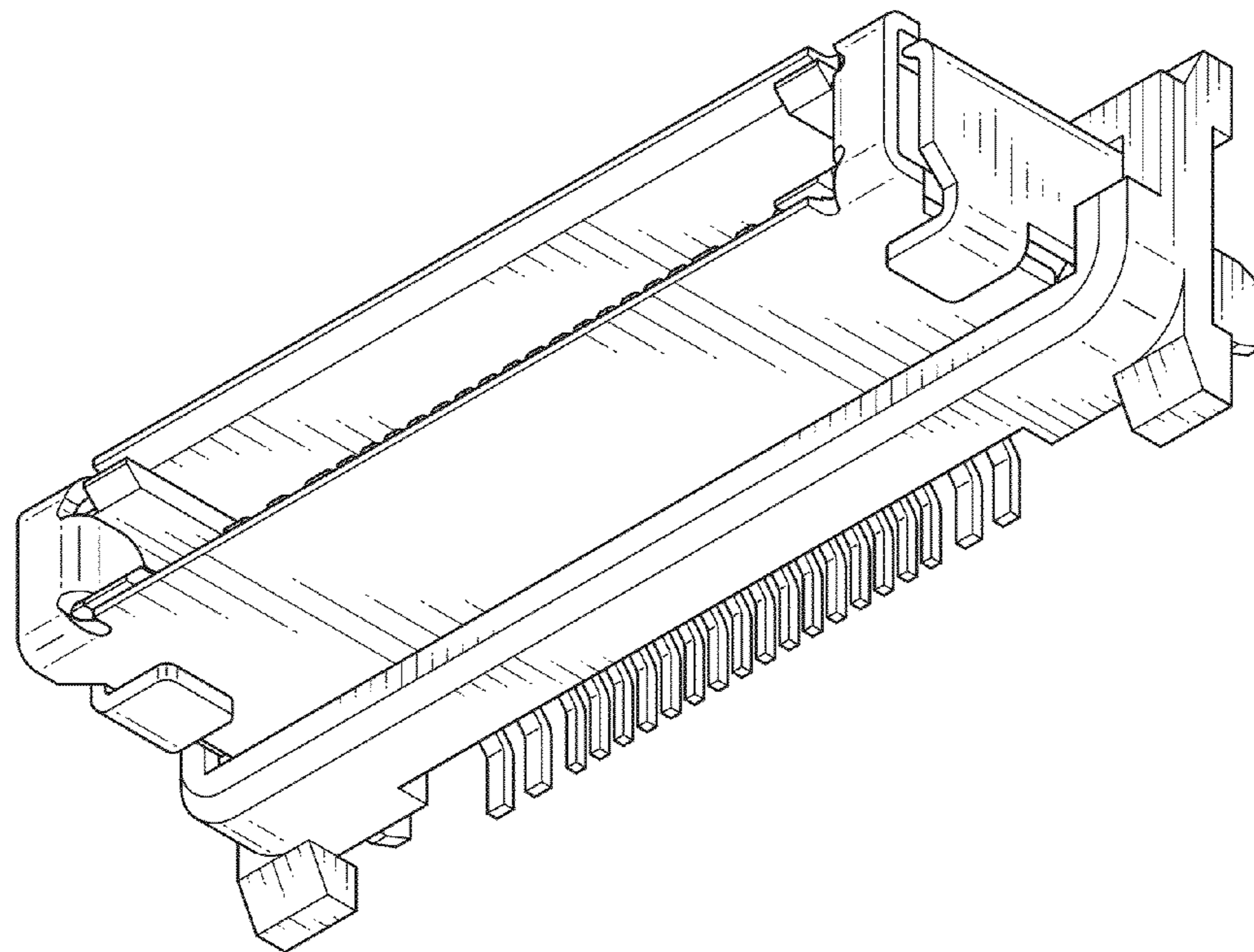


Fig. 3

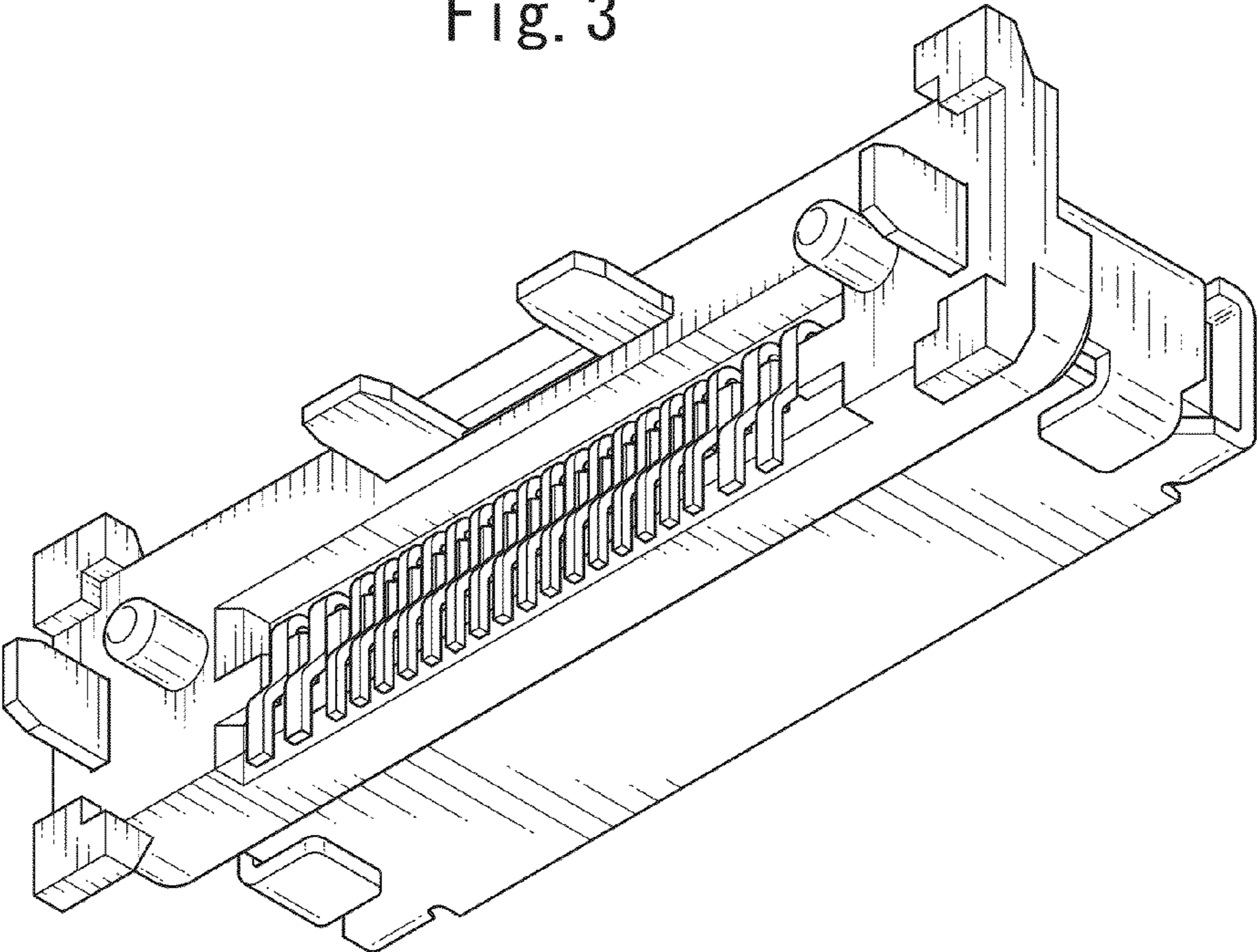




Fig. 4

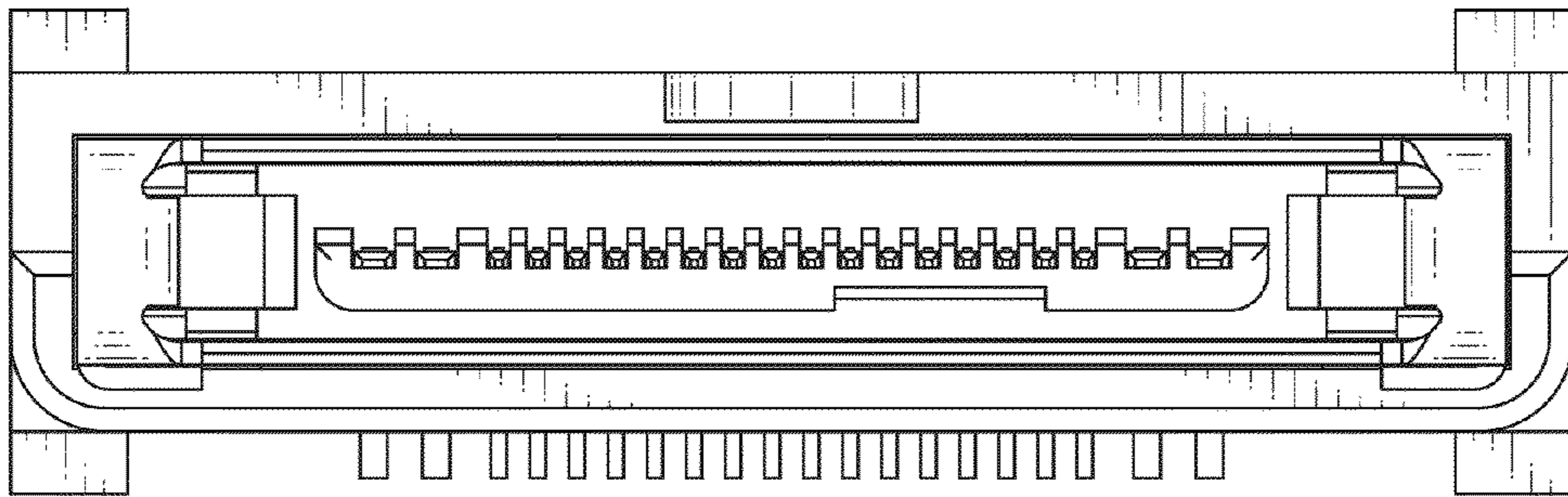


Fig. 5

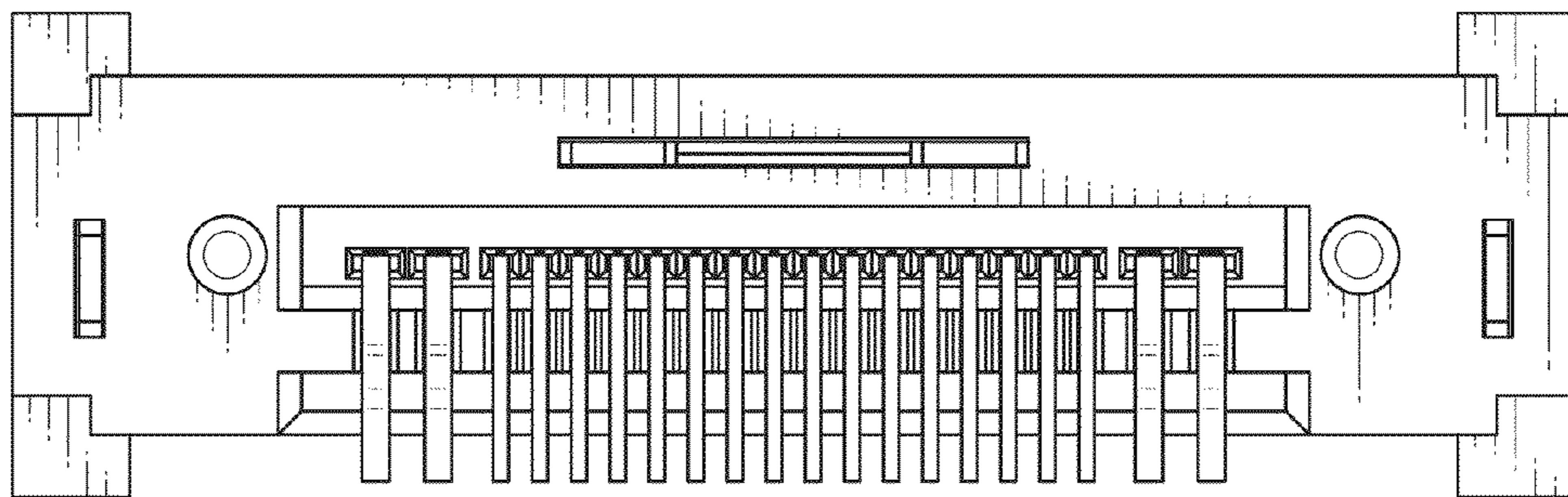


Fig. 6

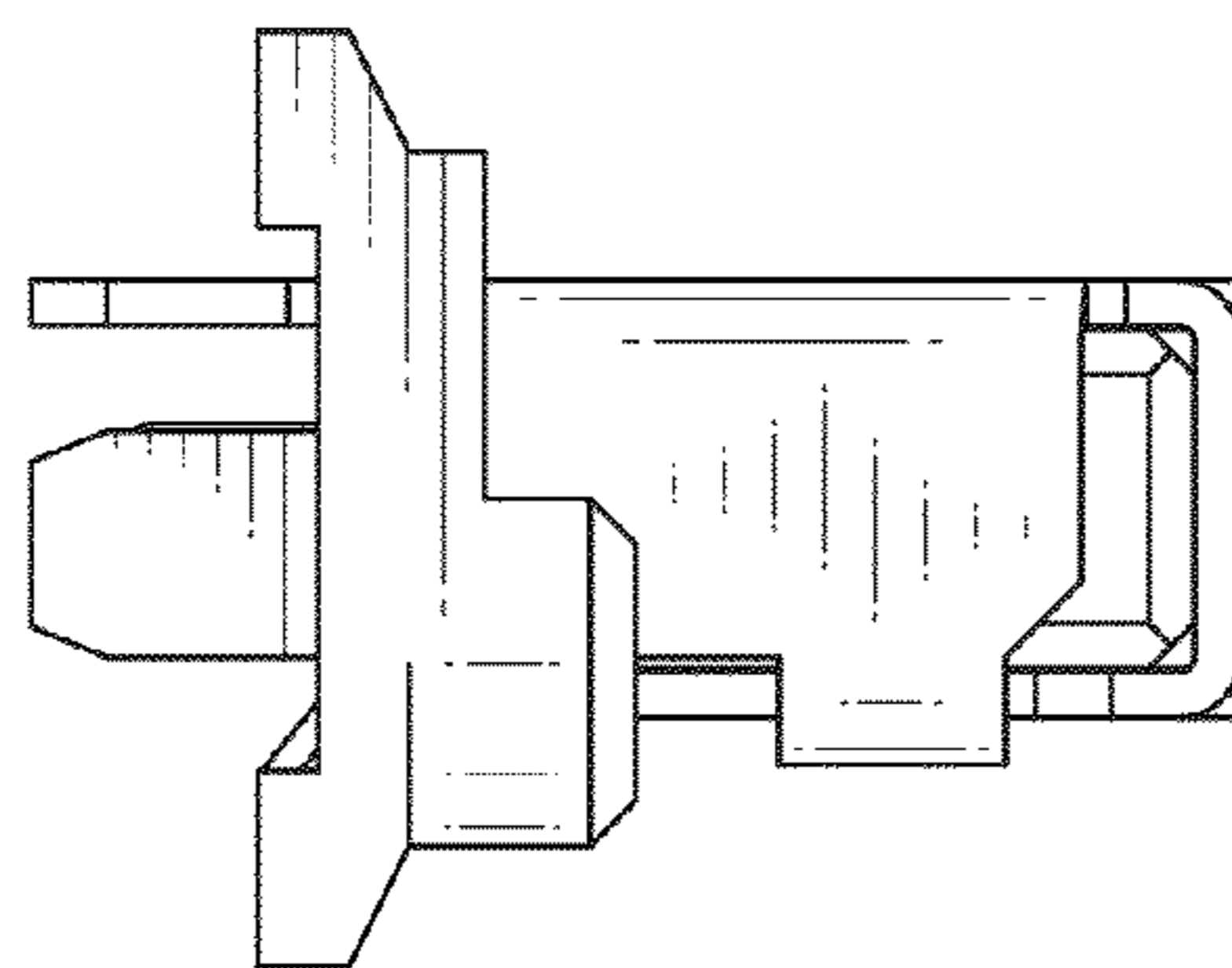


Fig. 7

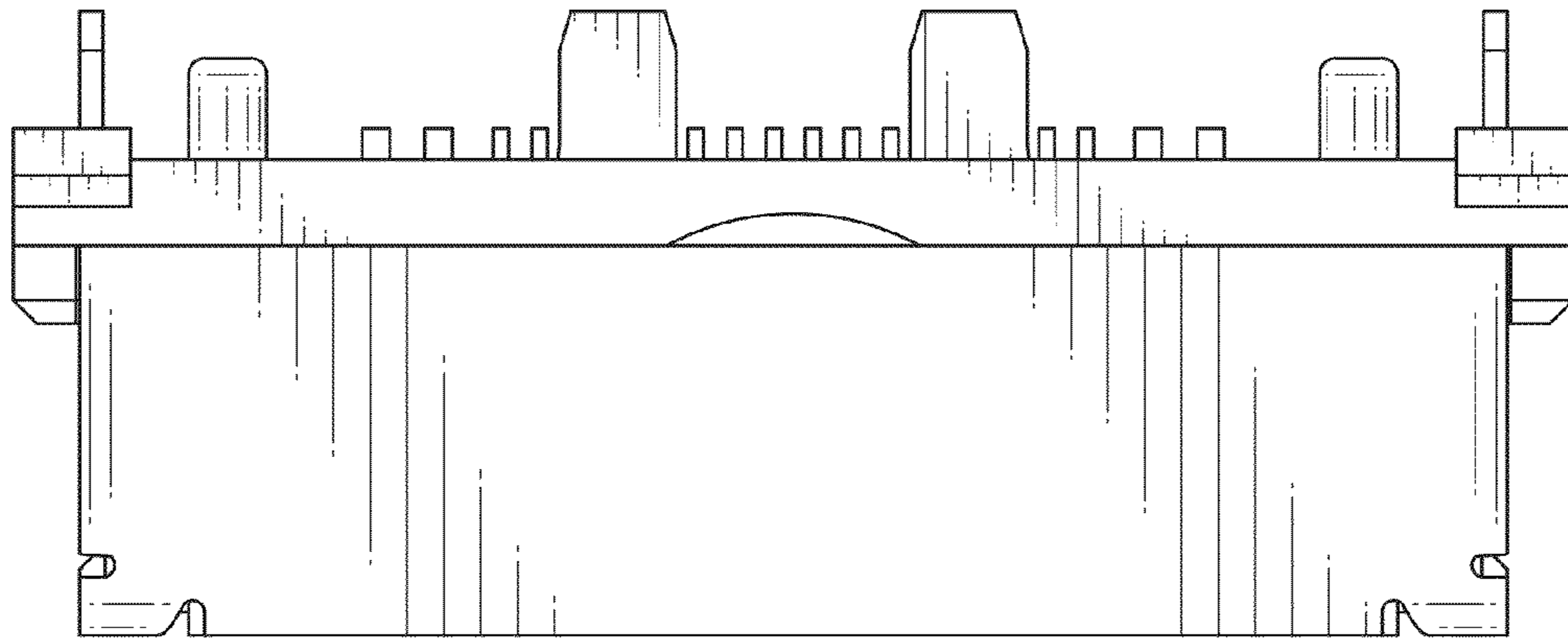


Fig. 8

