



US00D708581S

(12) **United States Design Patent**
Asano

(10) **Patent No.:** **US D708,581 S**
(45) **Date of Patent:** **** Jul. 8, 2014**

(54) **ELECTRICAL CONNECTOR**

(71) Applicant: **Hosiden Corporation, Yao (JP)**

(72) Inventor: **Takao Asano, Isesaki (JP)**

(73) Assignee: **Hosiden Corporation, Yao-Shi (JP)**

(**) Term: **14 Years**

(21) Appl. No.: **29/479,290**

(22) Filed: **Jan. 14, 2014**

(30) **Foreign Application Priority Data**

Jul. 17, 2013 (JP) 2013-016176

(51) **LOC (10) Cl.** **13-03**

(52) **U.S. Cl.**
USPC **D13/147**

(58) **Field of Classification Search**
USPC D13/147, 154, 184, 199; 439/79, 108,
439/180, 246, 374, 378, 488, 527, 529, 530,
439/533, 567, 607.1, 607.4, 607.5, 607.17,
439/607.25, 607.34, 607.41, 607.53, 668,
439/680, 892, 894
See application file for complete search history.

(56) **References Cited**

U.S. PATENT DOCUMENTS

D482,002 S * 11/2003 Suzuki et al. D13/147
D482,331 S * 11/2003 Suzuki et al. D13/147
D538,232 S * 3/2007 Wan et al. D13/147

D611,424 S * 3/2010 Arai et al. D13/147
D637,558 S * 5/2011 Wada et al. D13/147
D637,559 S * 5/2011 Wada et al. D13/147
D637,958 S * 5/2011 Asano et al. D13/147
D639,245 S * 6/2011 Wada et al. D13/147
D649,940 S * 12/2011 Arai et al. D13/147
D682,216 S * 5/2013 Sato D13/147

* cited by examiner

Primary Examiner — Daniel Bui

(74) *Attorney, Agent, or Firm* — Rankin, Hill & Clark LLP

(57) **CLAIM**

The ornamental design for an electrical connector, as shown and described.

DESCRIPTION

FIG. 1 is a front, right side and top perspective view of an electrical connector showing my new design;
FIG. 2 is a rear, right side and bottom perspective view thereof;
FIG. 3 is a front, right side and bottom perspective view thereof;
FIG. 4 is a rear, left side and top perspective view thereof;
FIG. 5 is a front elevation view thereof;
FIG. 6 is a rear elevation view thereof;
FIG. 7 is a left side elevation view thereof, a right side elevation view being a mirror image thereto;
FIG. 8 is a top plan view thereof; and,
FIG. 9 is a bottom plan view thereof.

1 Claim, 4 Drawing Sheets

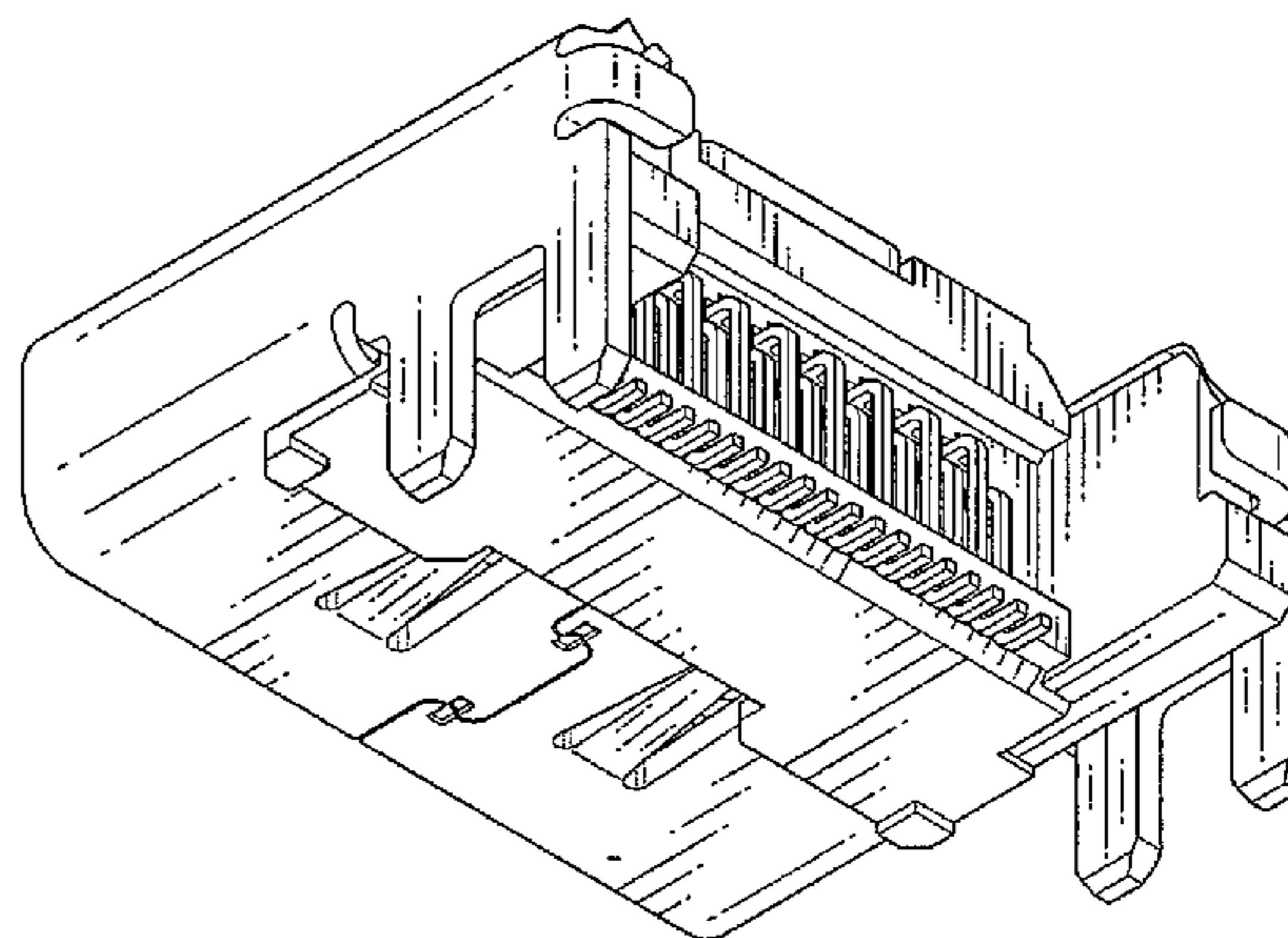
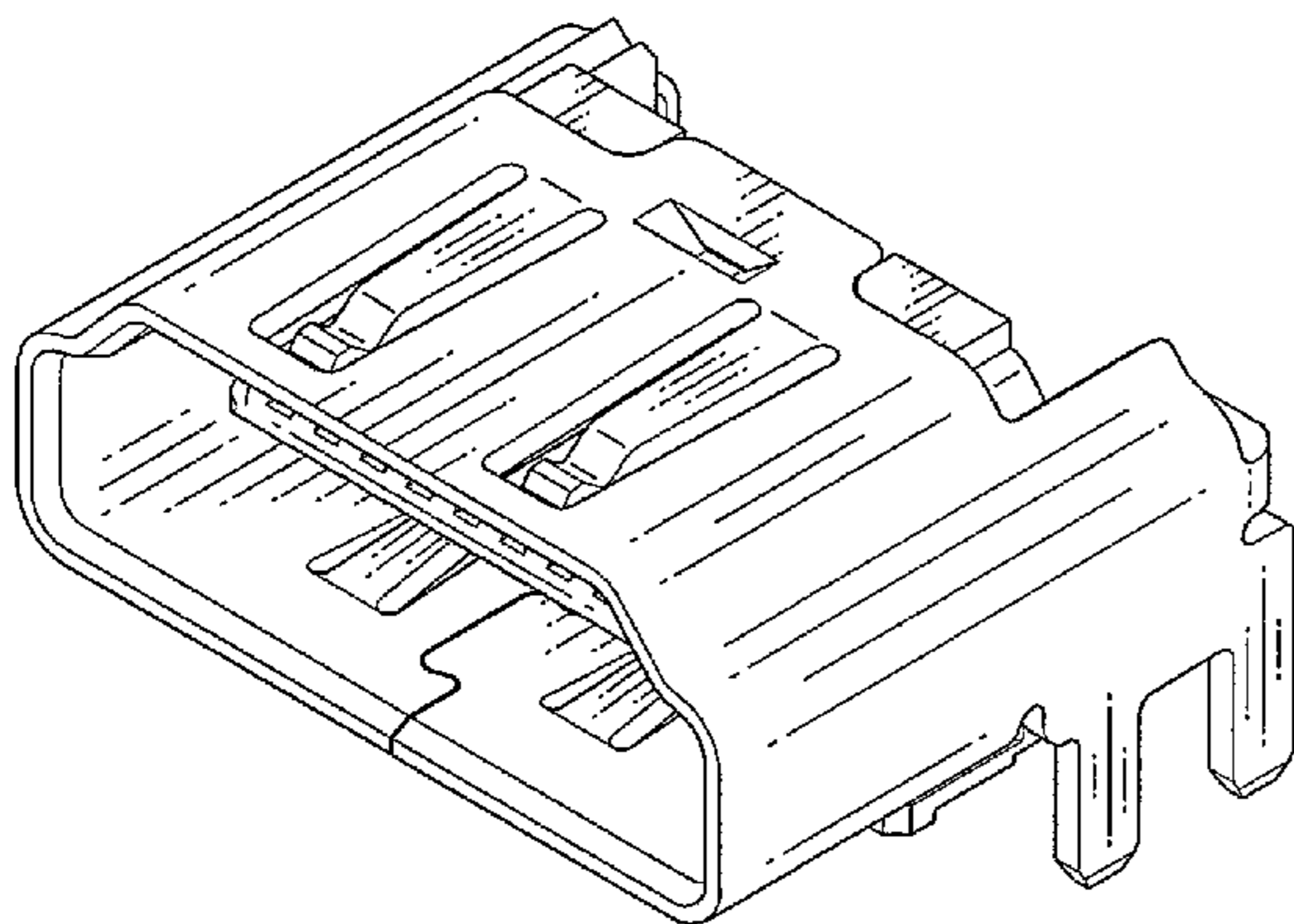


Fig. 1

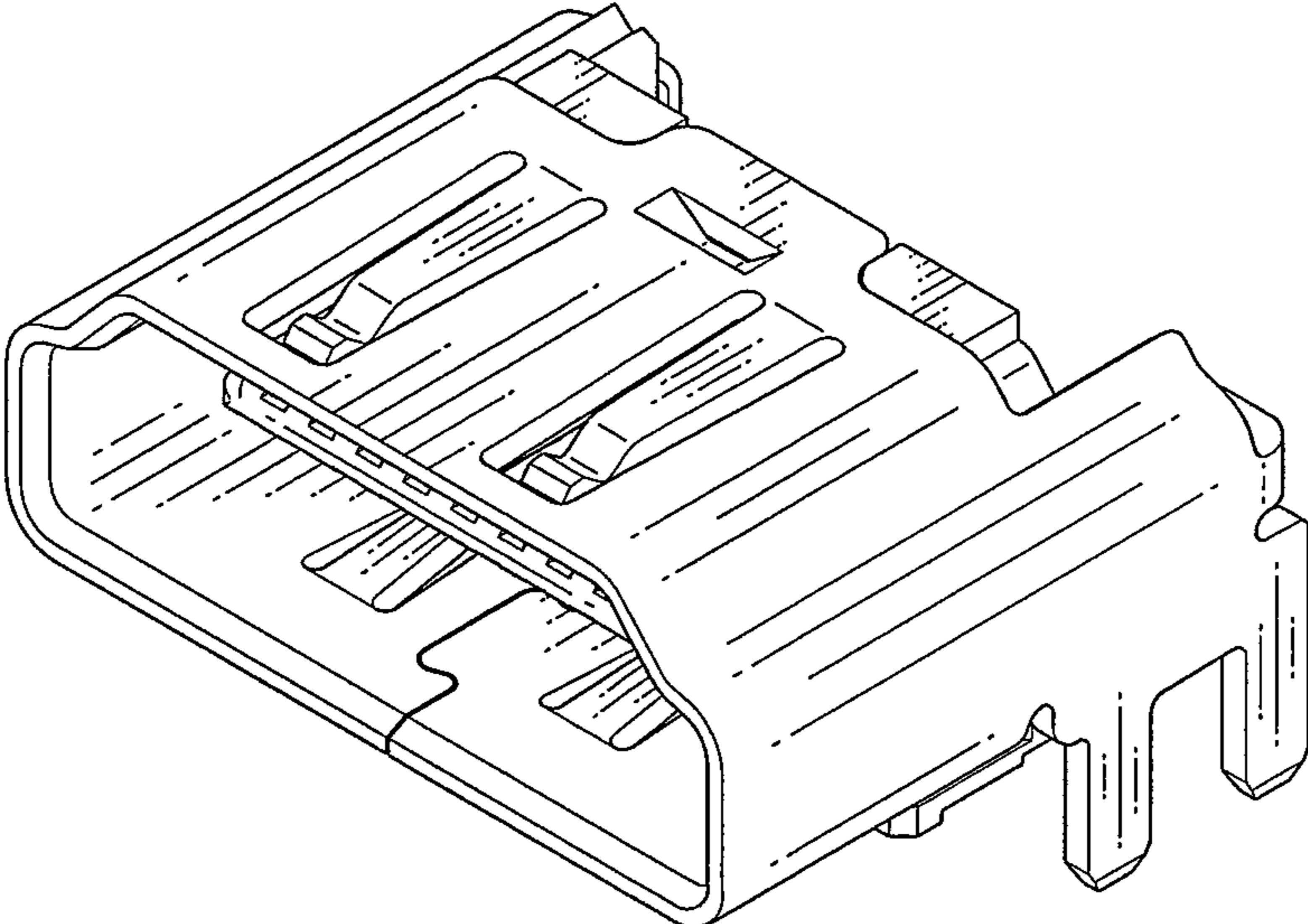


Fig. 2

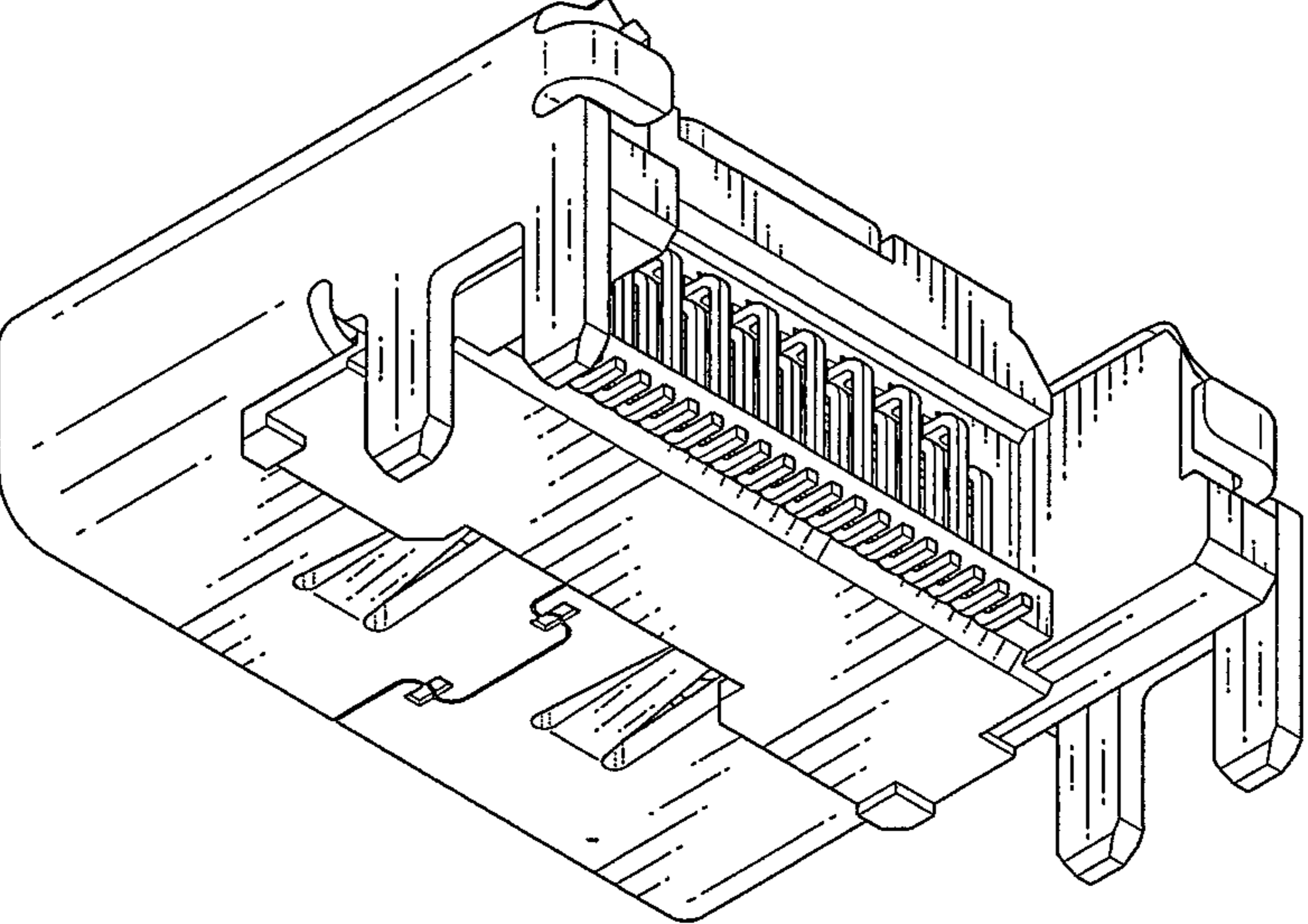


Fig. 3

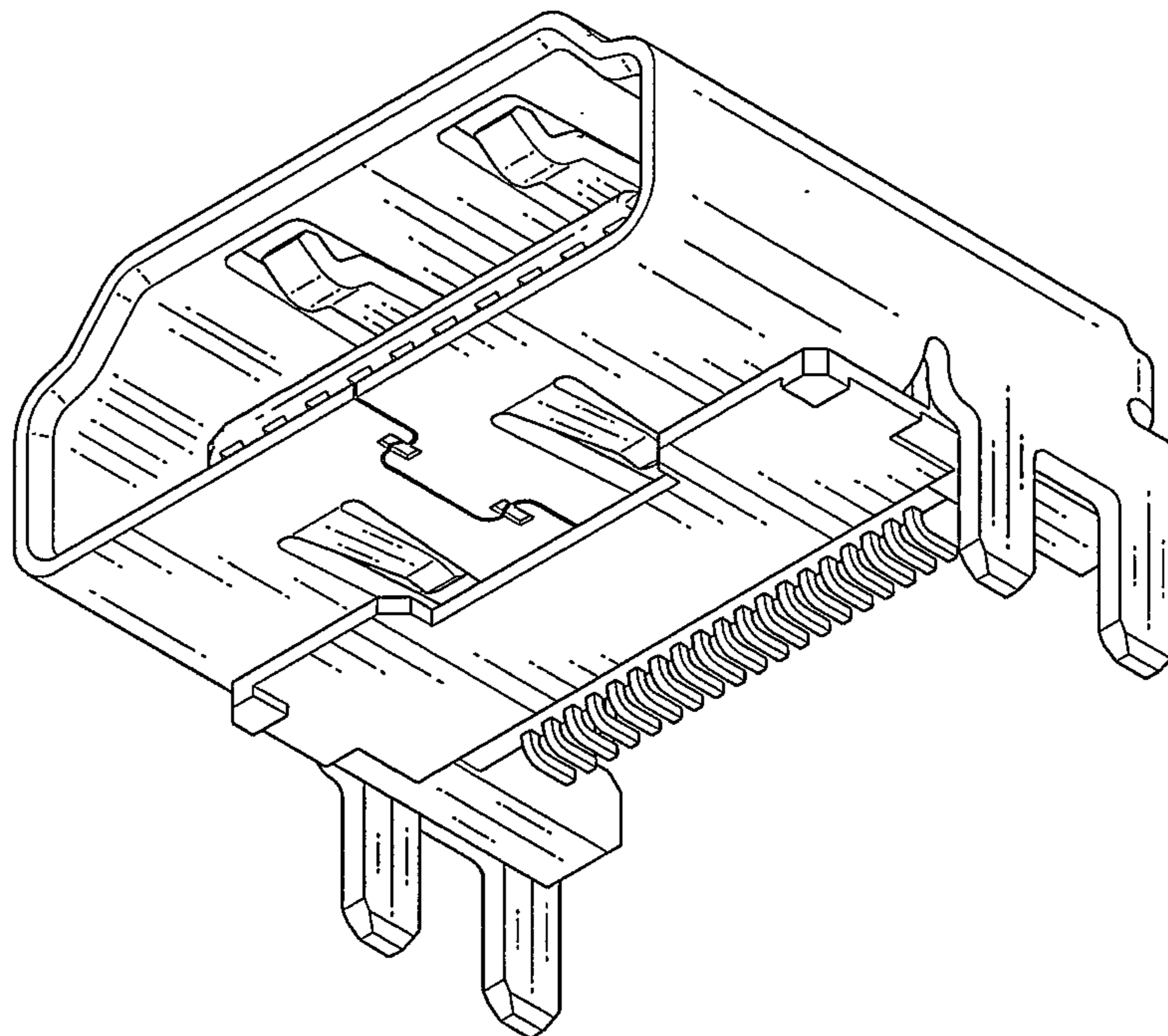


Fig. 4

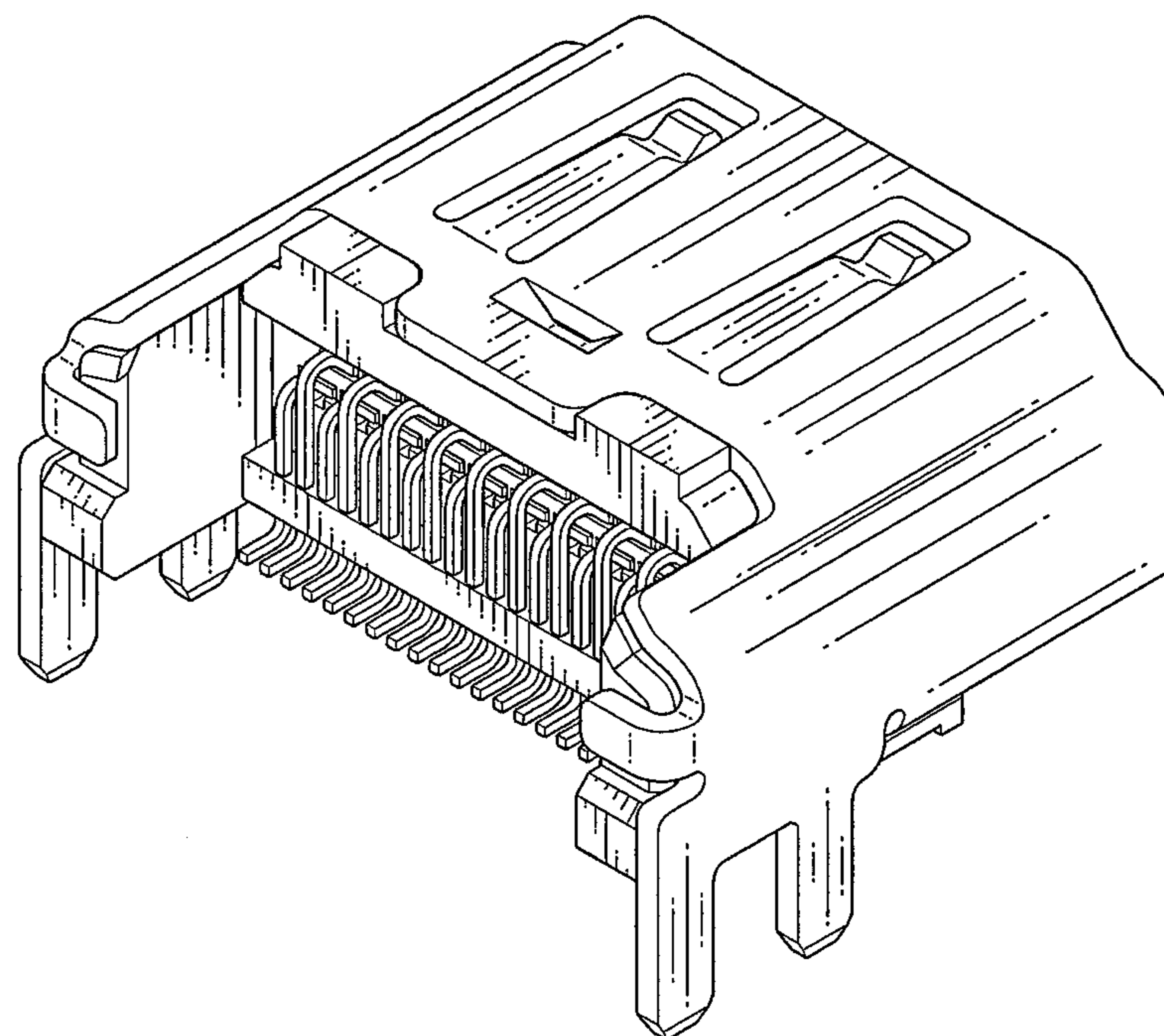


Fig. 5

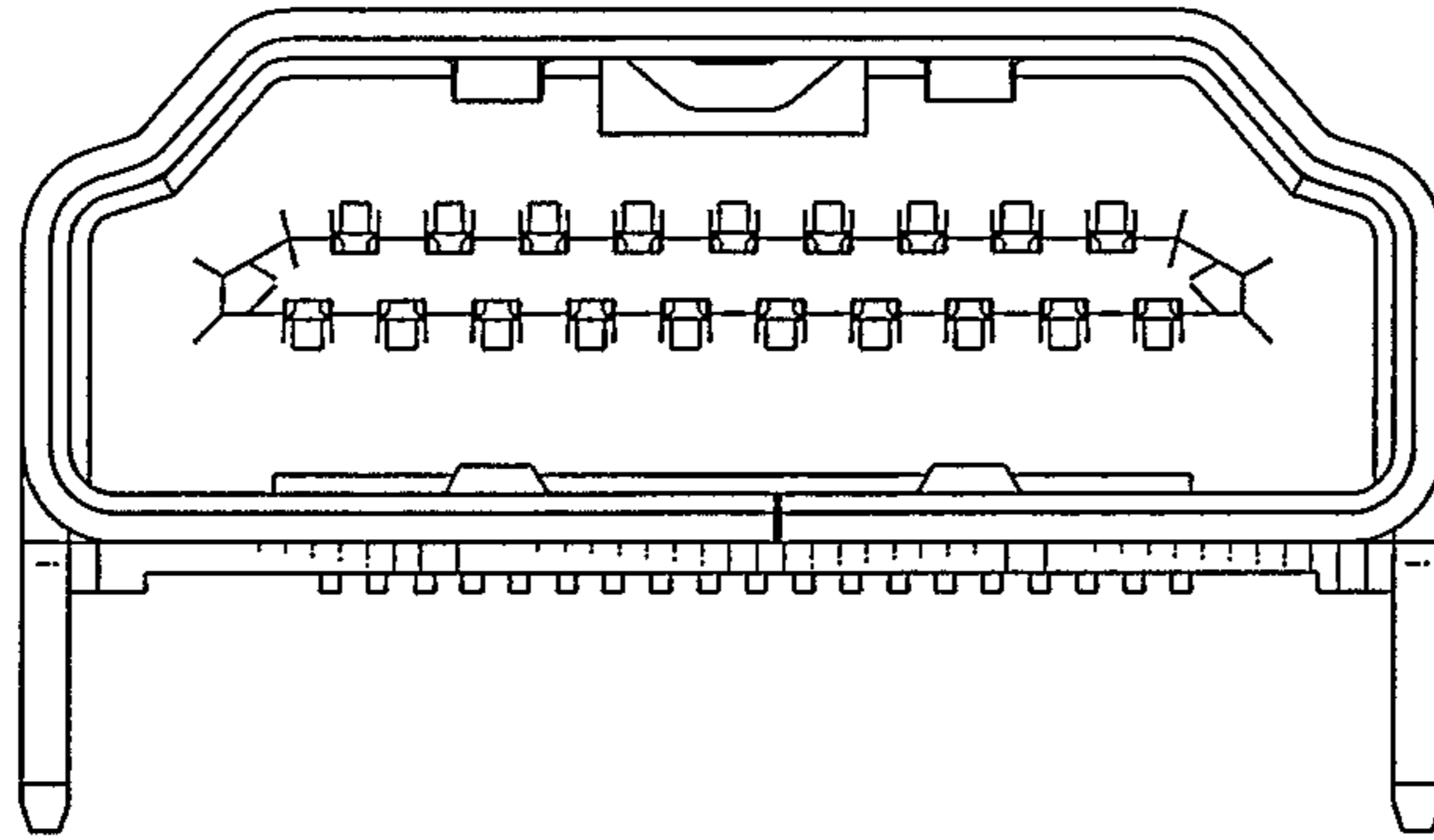


Fig. 6

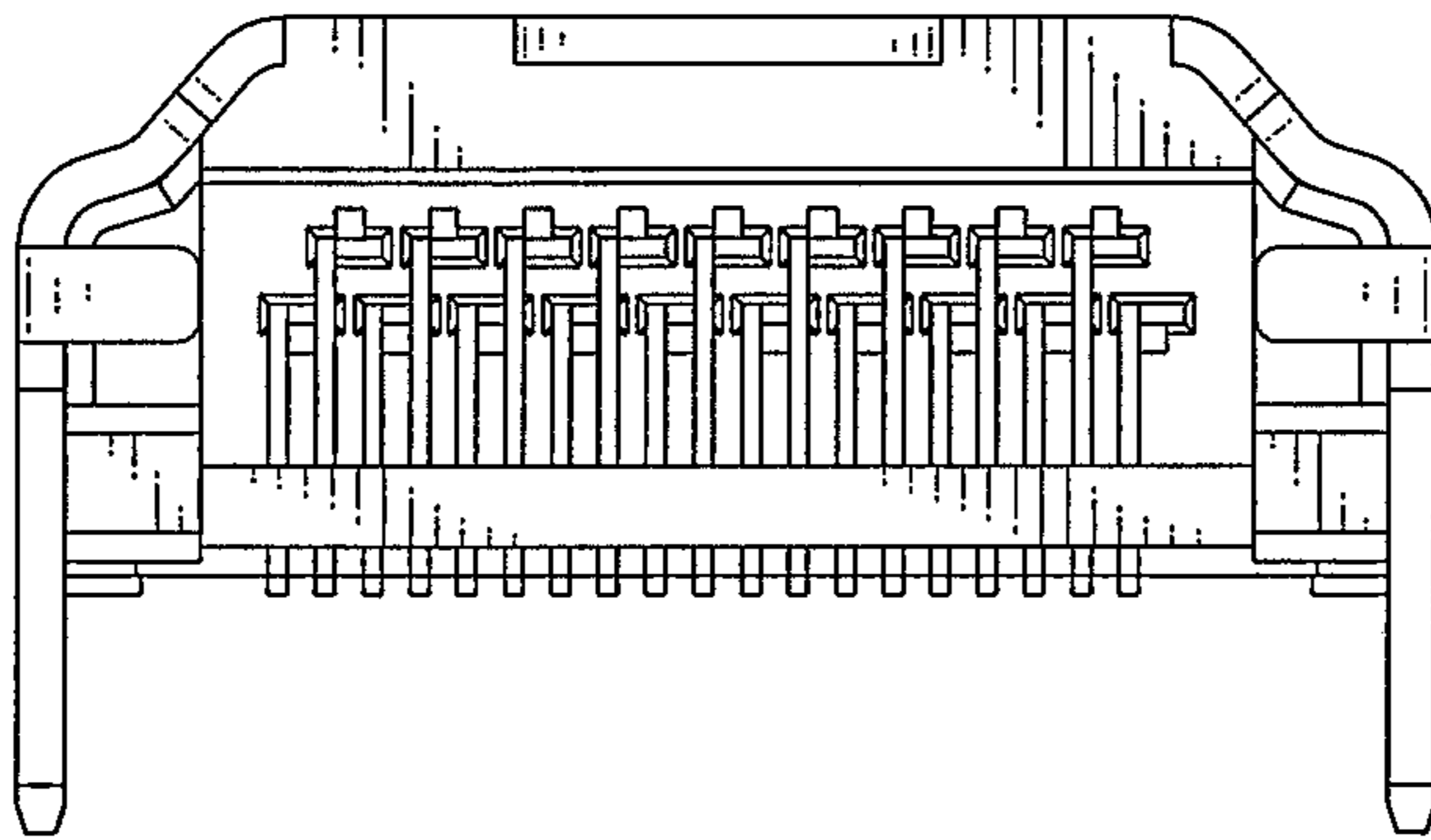


Fig. 7

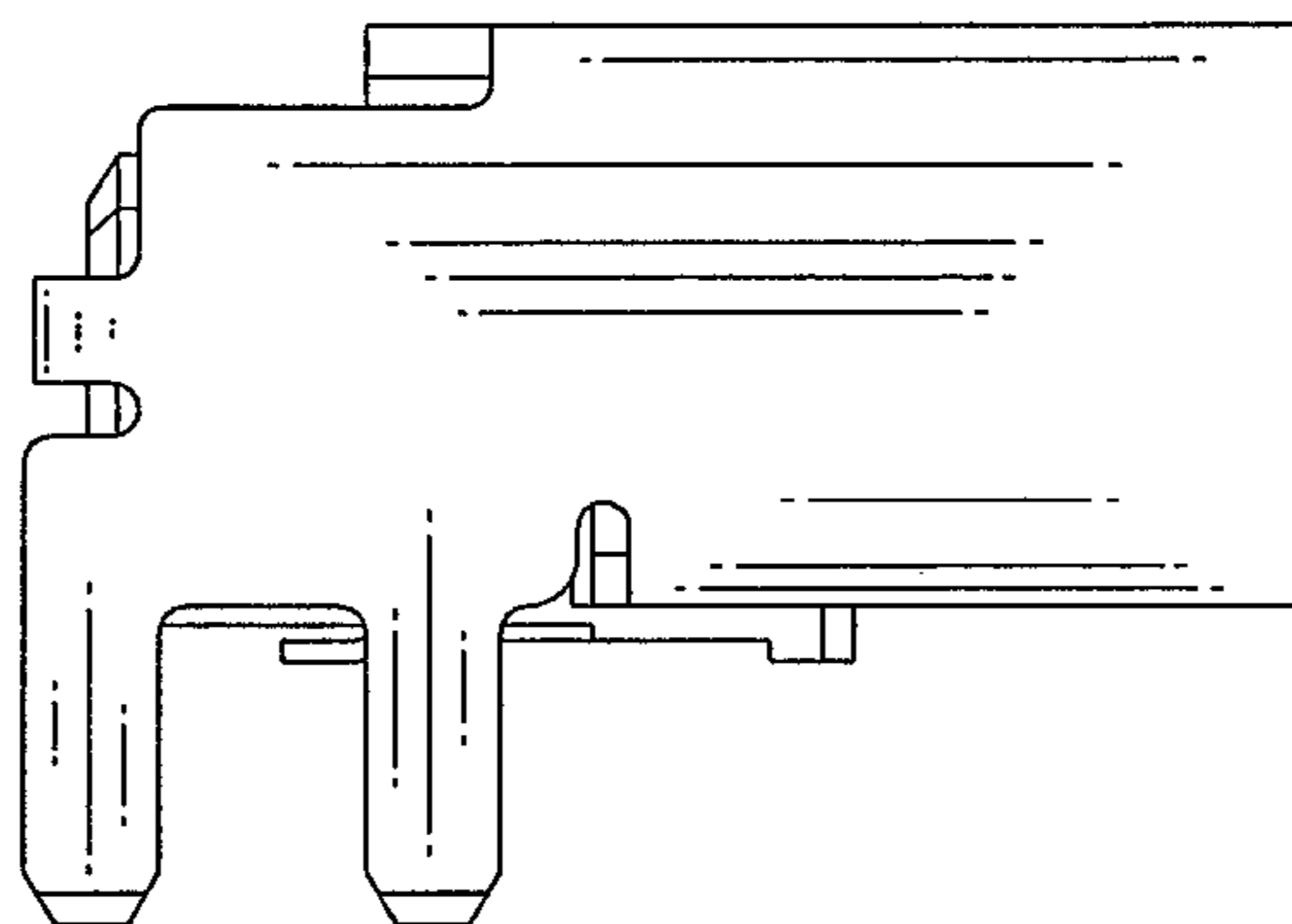


Fig. 8

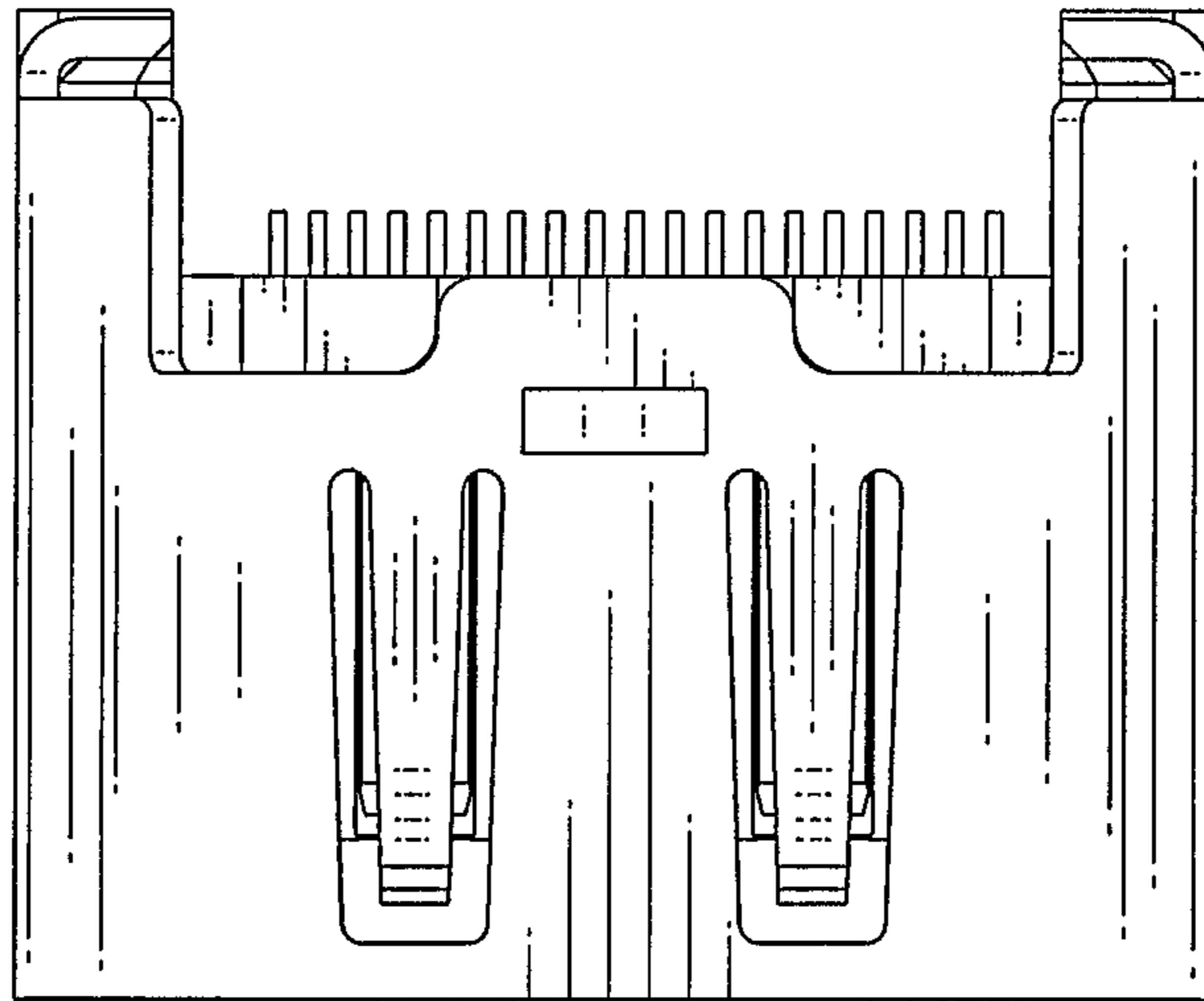


Fig. 9

