



US00D708579S

(12) **United States Design Patent**
Masumoto et al.

(10) **Patent No.:** **US D708,579 S**
(45) **Date of Patent:** **** Jul. 8, 2014**

(54) **ELECTRICAL CONNECTOR**

(71) Applicant: **Japan Aviation Electronics Industry, Limited**, Tokyo (JP)

(72) Inventors: **Toshio Masumoto**, Tokyo (JP); **Yuichi Saito**, Tokyo (JP); **Yoshihide Kuroki**, Tokyo (JP)

(73) Assignee: **Japan Aviation Electronics Industry, Limited**, Tokyo (JP)

(**) Term: **14 Years**

(21) Appl. No.: **29/448,662**

(22) Filed: **Mar. 13, 2013**

(30) **Foreign Application Priority Data**

Sep. 28, 2012 (JP) 2012-023846
Sep. 28, 2012 (JP) 2012-023847

(51) **LOC (10) Cl.** **13-03**

(52) **U.S. Cl.**
USPC **D13/147**

(58) **Field of Classification Search**
USPC D13/133, 146, 147, 153, 154, 156, 157, D13/184, 199; D14/432, 433, 435, 435.1, D14/438; 345/156; 361/58, 814; 439/38-40, 439/66, 74, 77, 79, 129-130, 135, 146, 439/149-150, 176-177, 180, 188, 217-218, 439/225, 246, 252, 278-279, 290-291, 329, 439/344-346, 350-353, 357-358, 374, 378, 439/381, 476.1, 607.01, 607.04, 607.5, 439/607.6, 607.17, 607.21, 607.23, 607.25, 439/607.34, 607.41, 607.53, 623, 660, 668, 439/677, 678, 680, 682, 874, 883, 887, 892, 439/894

See application file for complete search history.

(56) **References Cited**

U.S. PATENT DOCUMENTS

D588,543 S * 3/2009 Kondo D13/147
D636,340 S * 4/2011 Sasaki et al. D13/147
D649,118 S * 11/2011 Kawakami et al. D13/147
2009/0023336 A1 * 1/2009 Kondo et al. 439/607

OTHER PUBLICATIONS

Japanese Office Action dated Mar. 8, 2013, issued in corresponding Japanese Patent Application No. 2012-023846.

Japanese Office Action dated May 24, 2013, issued in corresponding Japanese Design Patent Application No. 2012-023846.

* cited by examiner

Primary Examiner — Daniel Bui

(74) *Attorney, Agent, or Firm* — Westerman, Hattori, Daniels & Adrian, LLP

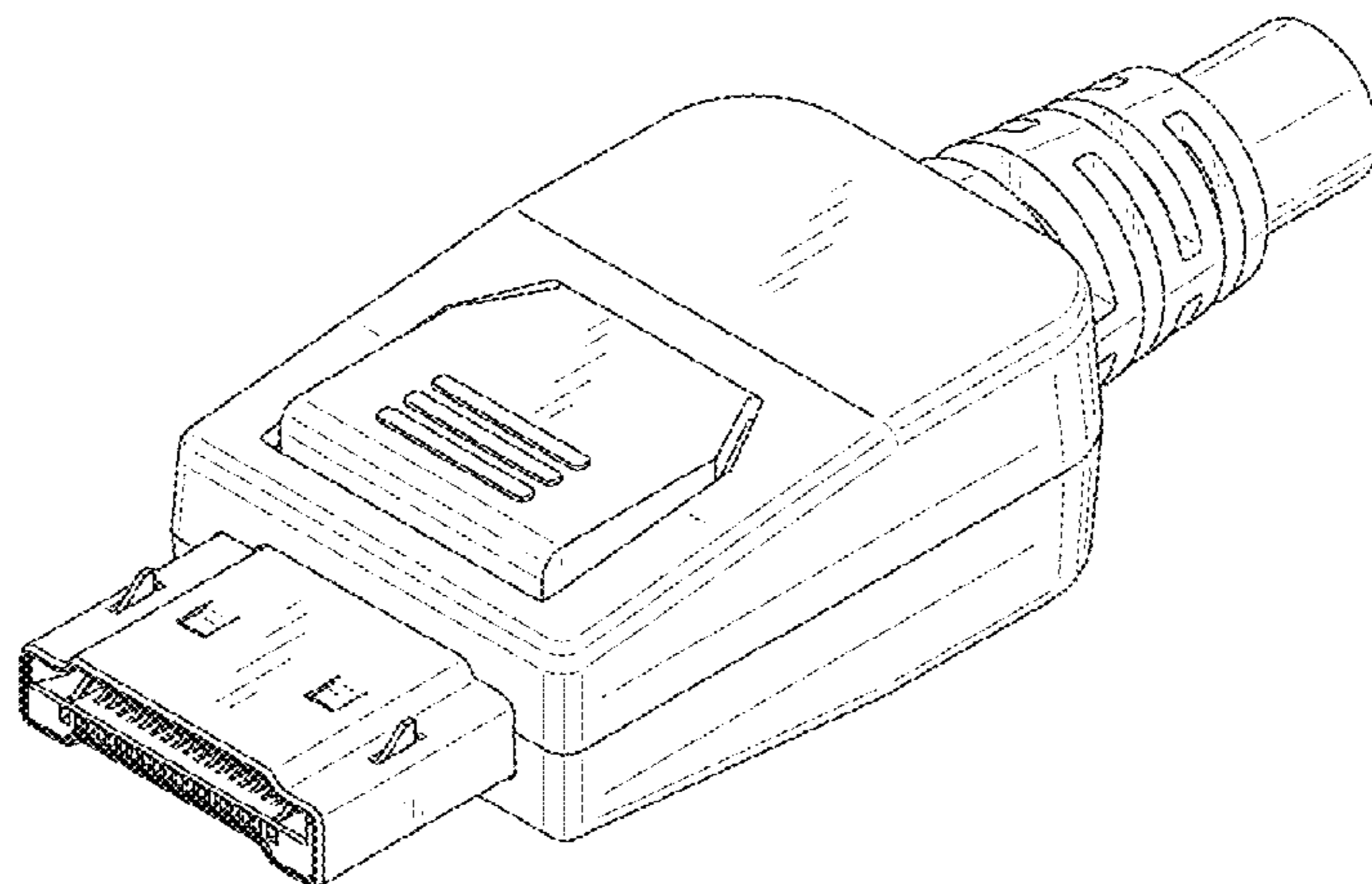
(57) **CLAIM**

The ornamental design for an electrical connector, as shown and described.

DESCRIPTION

FIG. 1 is a front elevational view of an electrical connector, showing our new design;
FIG. 2 is a rear elevational view thereof;
FIG. 3 is a right side elevational view thereof;
FIG. 4 is a left side elevational view thereof;
FIG. 5 is a top plan view thereof;
FIG. 6 is a bottom plan view thereof;
FIG. 7 is a right front perspective view showing the top thereof;
FIG. 8 is a left rear perspective view showing the bottom thereof;
FIG. 9 is a right front perspective view showing the bottom thereof; and,
FIG. 10 is a left rear perspective view showing the top thereof.

1 Claim, 10 Drawing Sheets



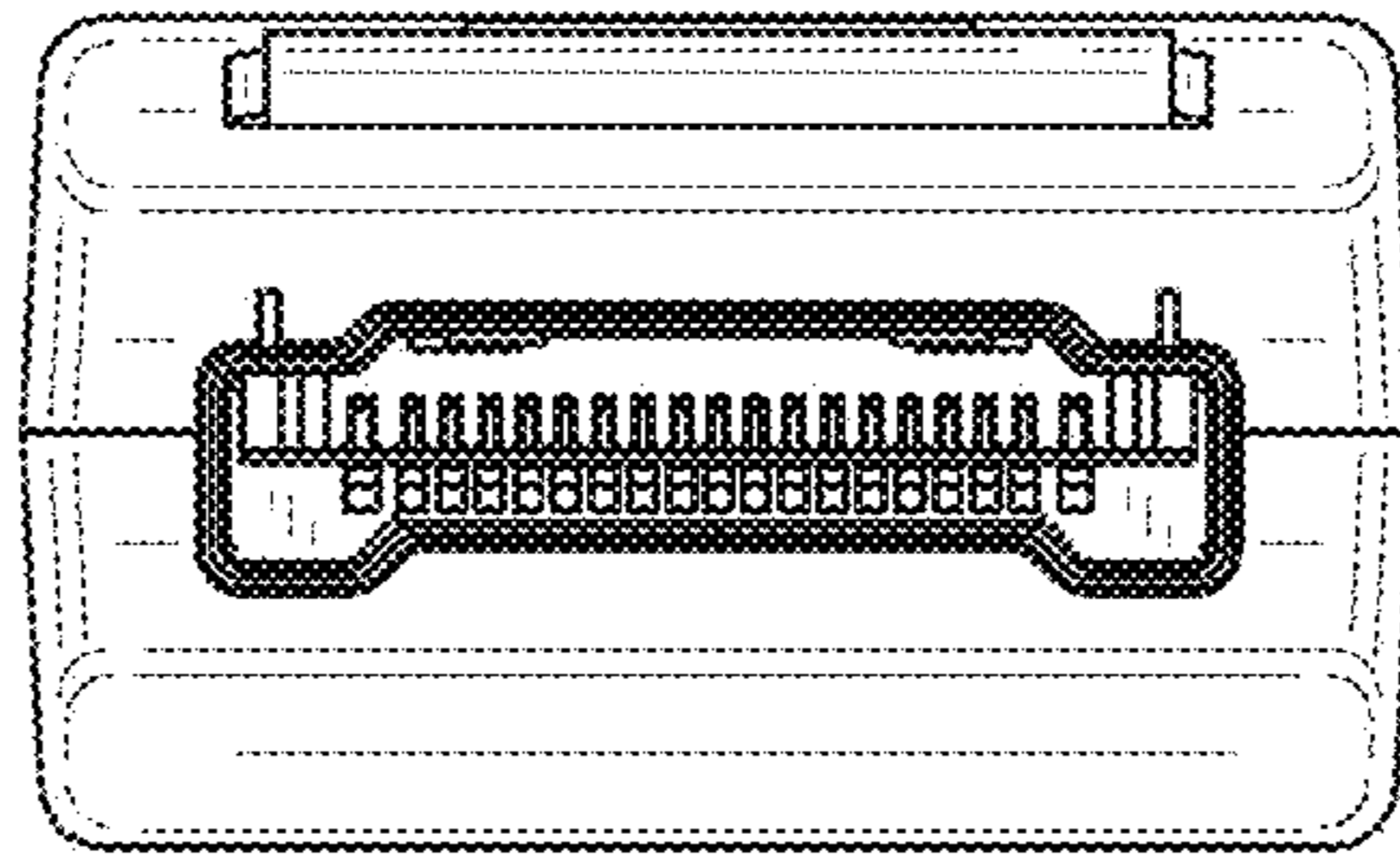


FIG. 1

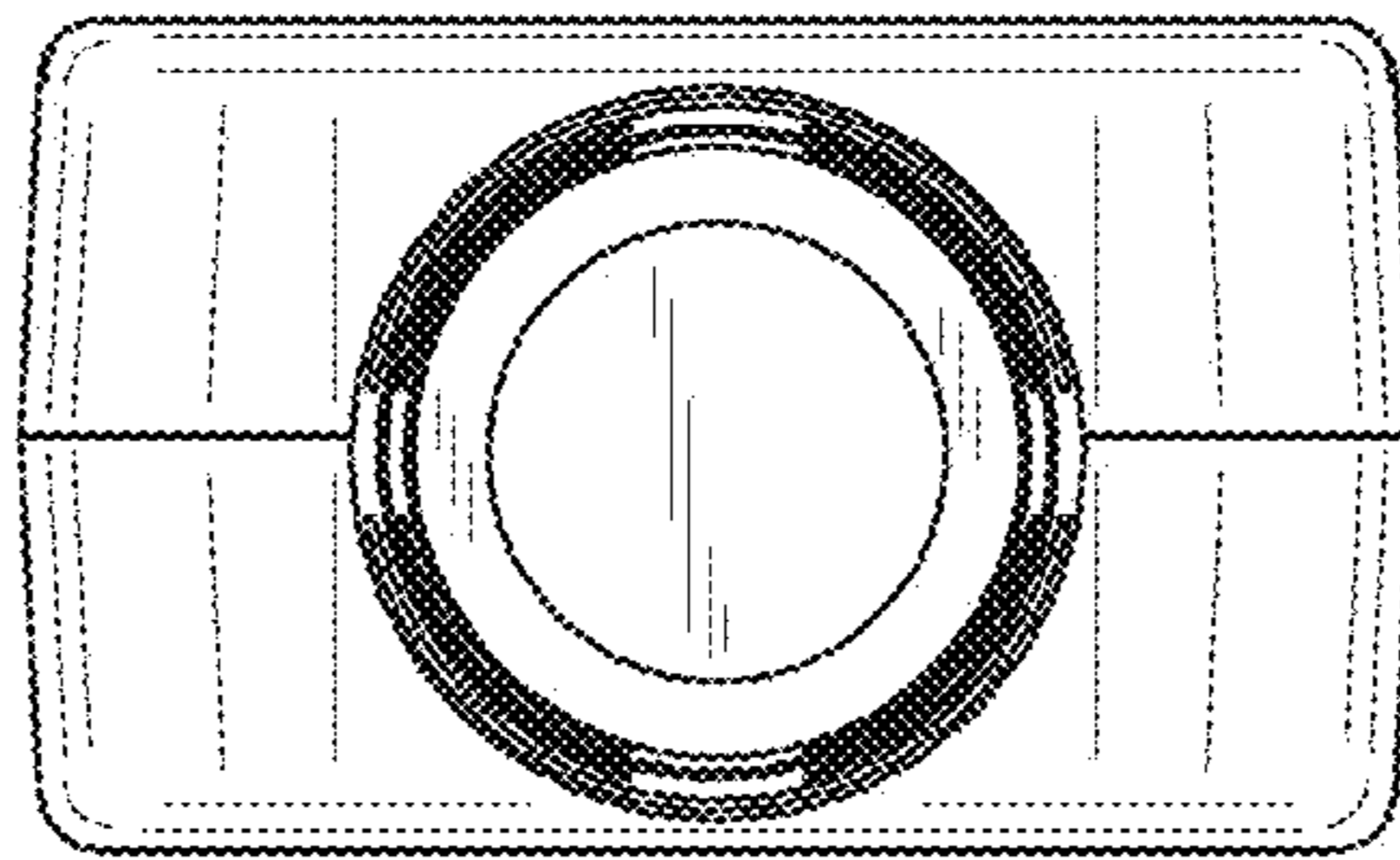


FIG. 2

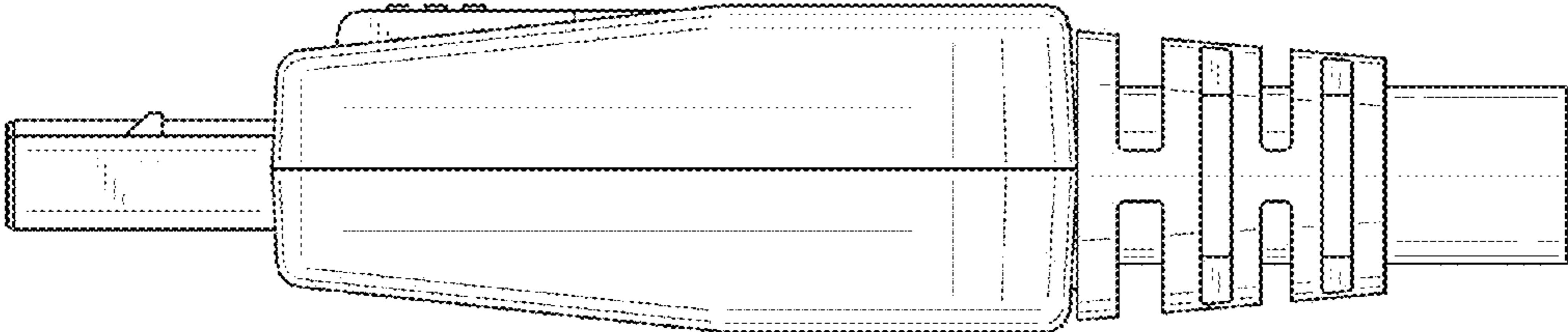


FIG.3

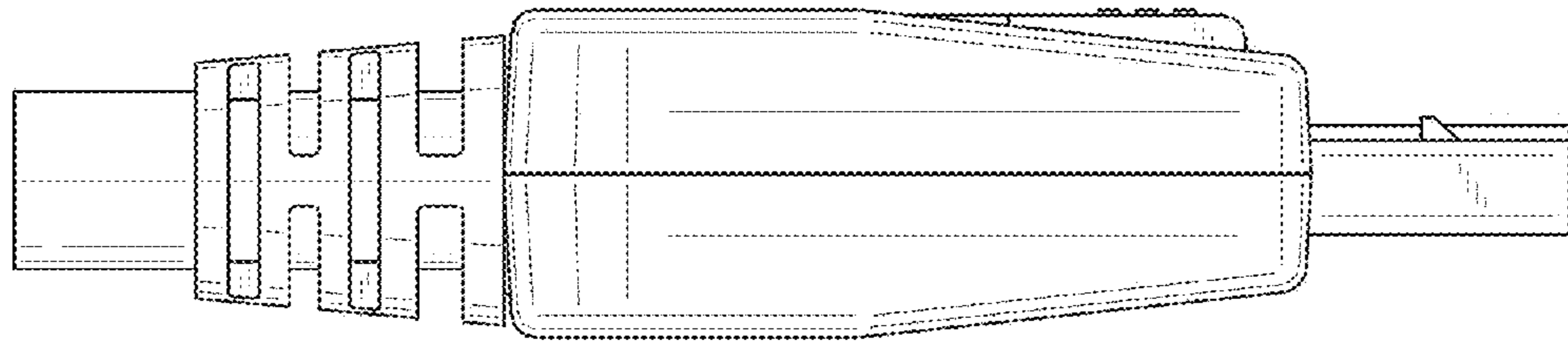


FIG. 4

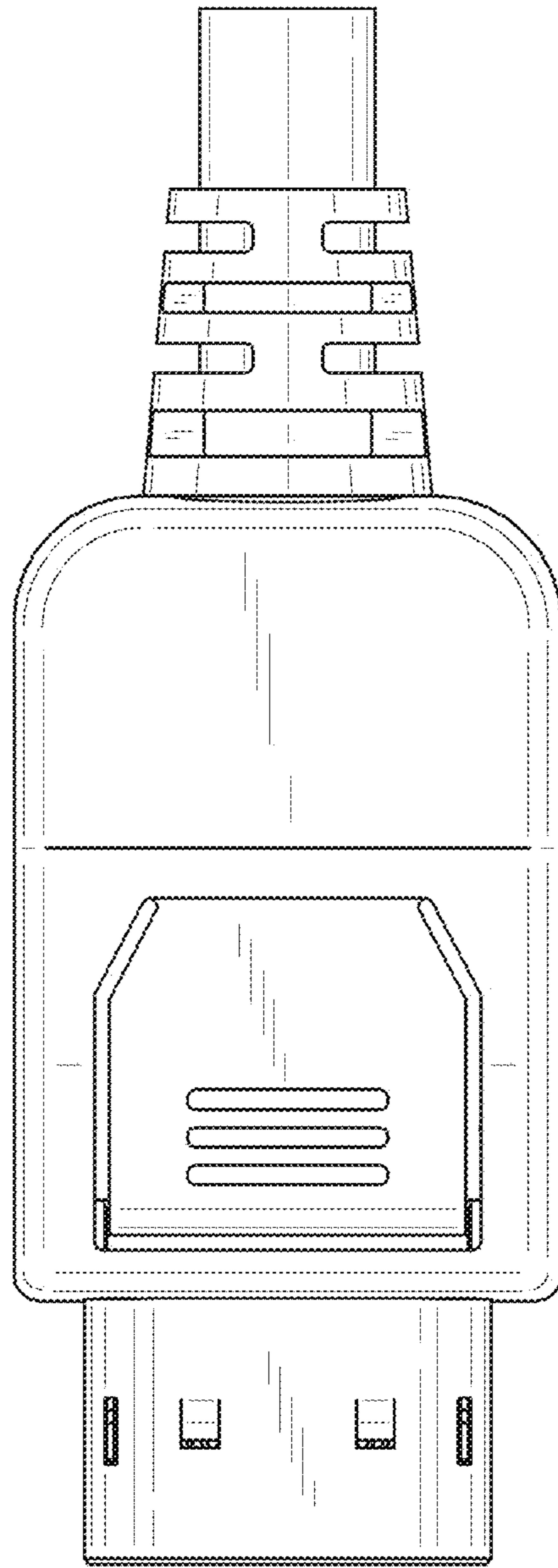


FIG.5

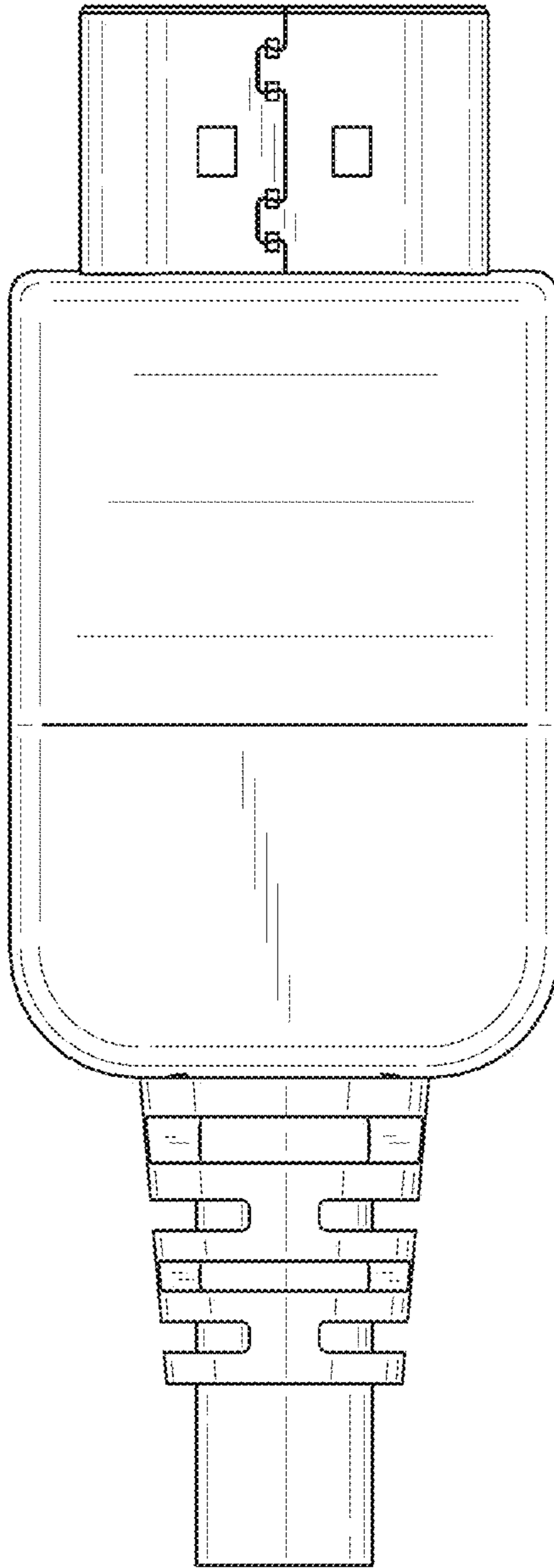


FIG.6

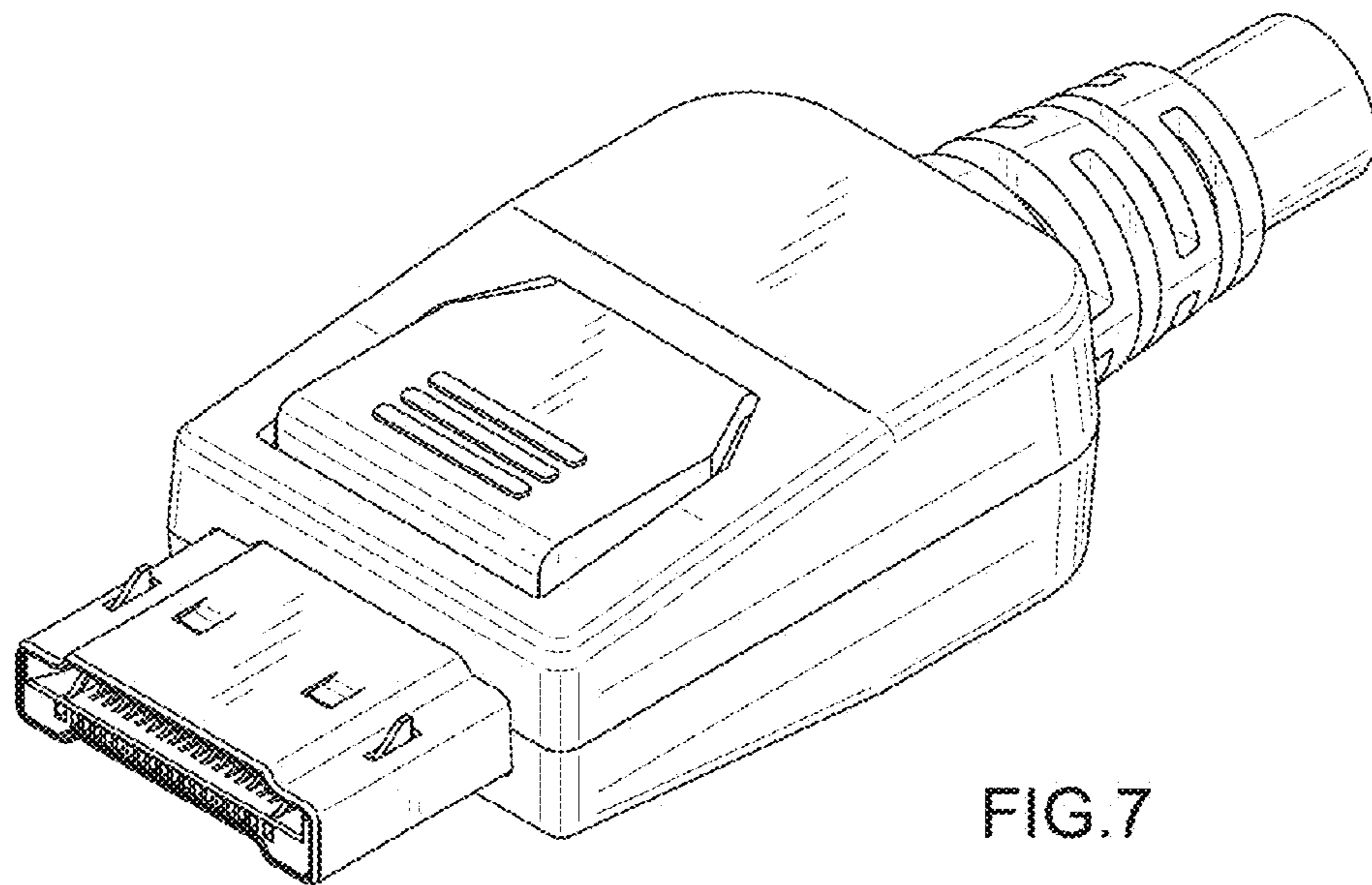


FIG. 7

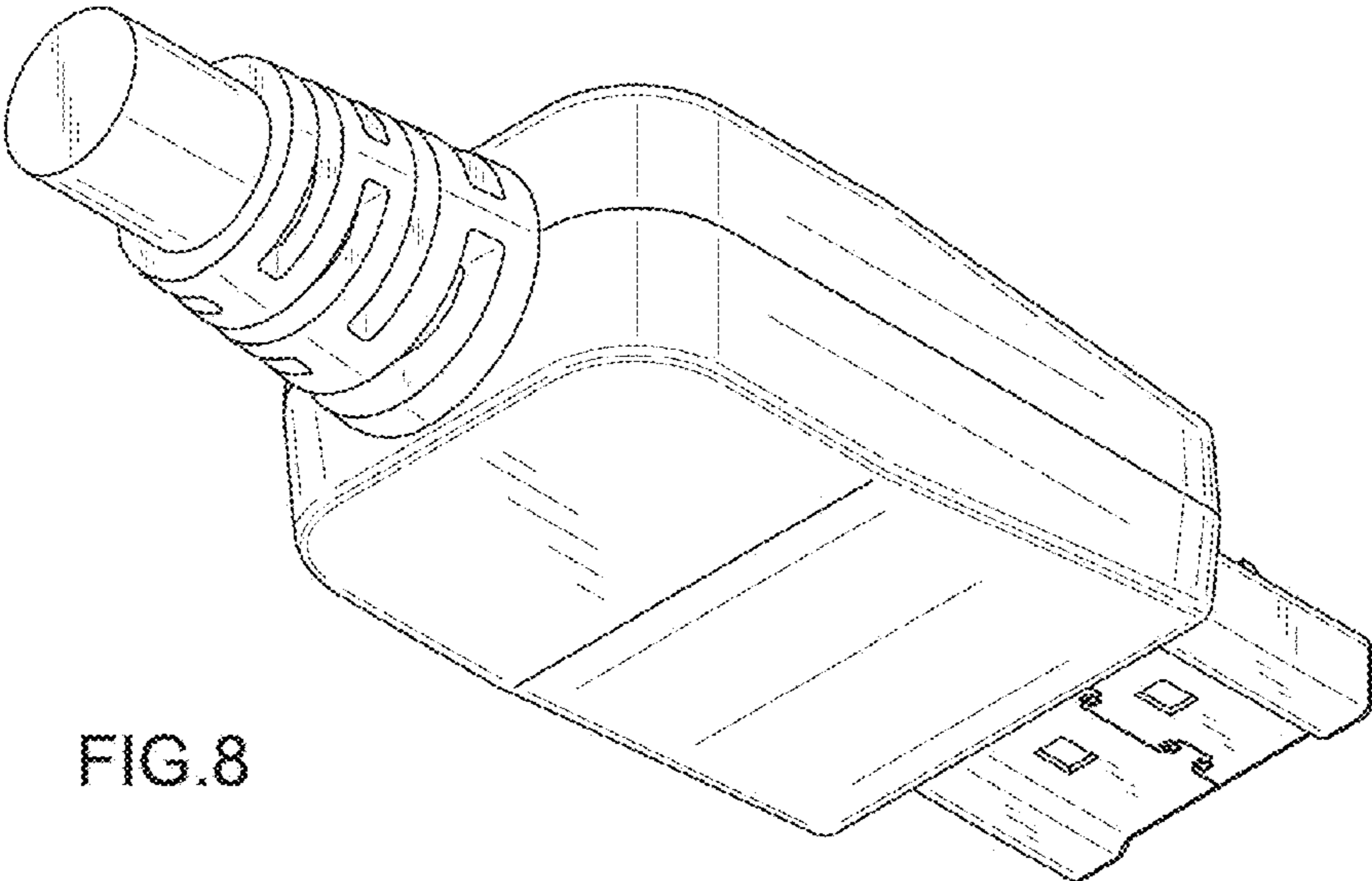


FIG.8

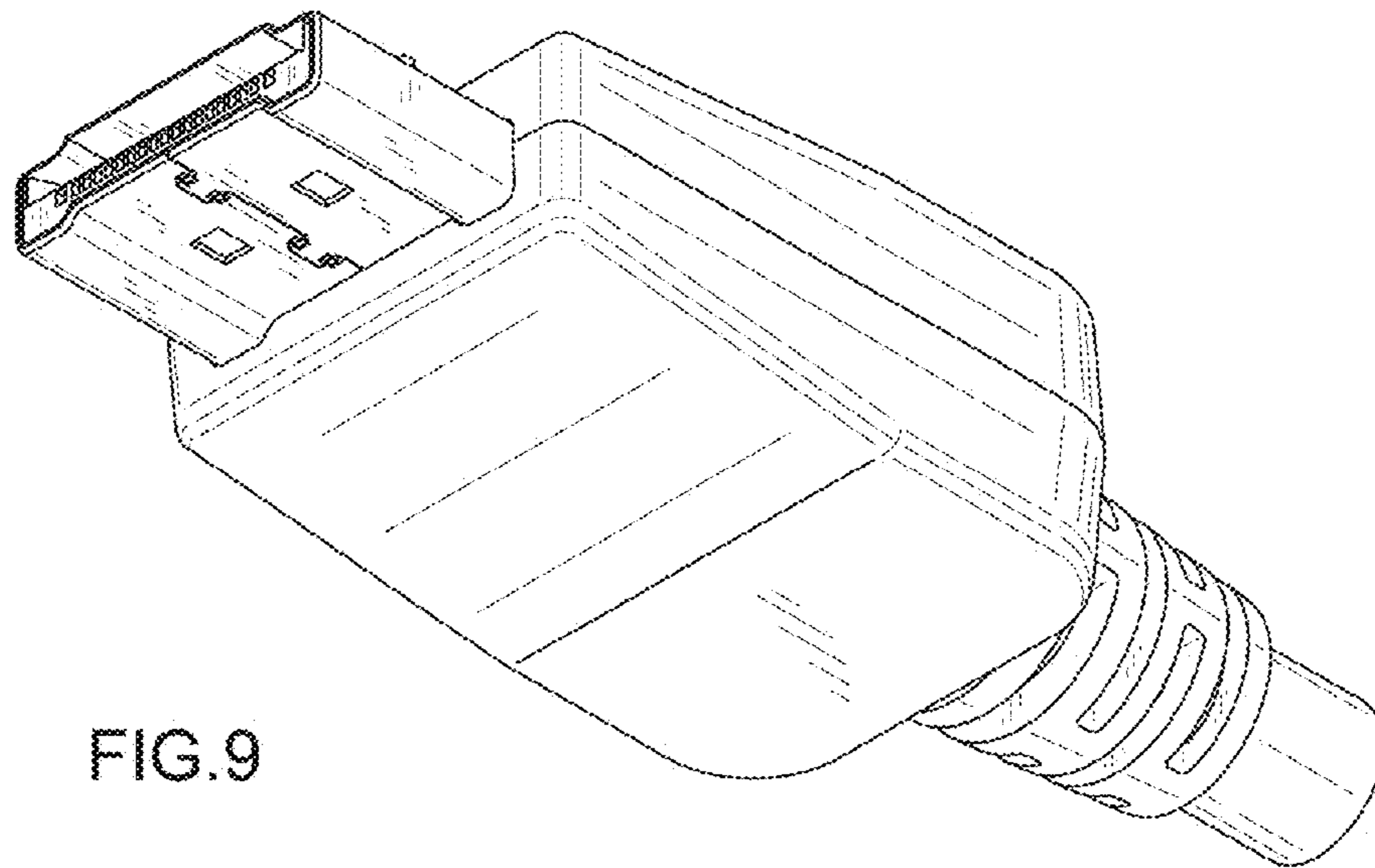


FIG. 9

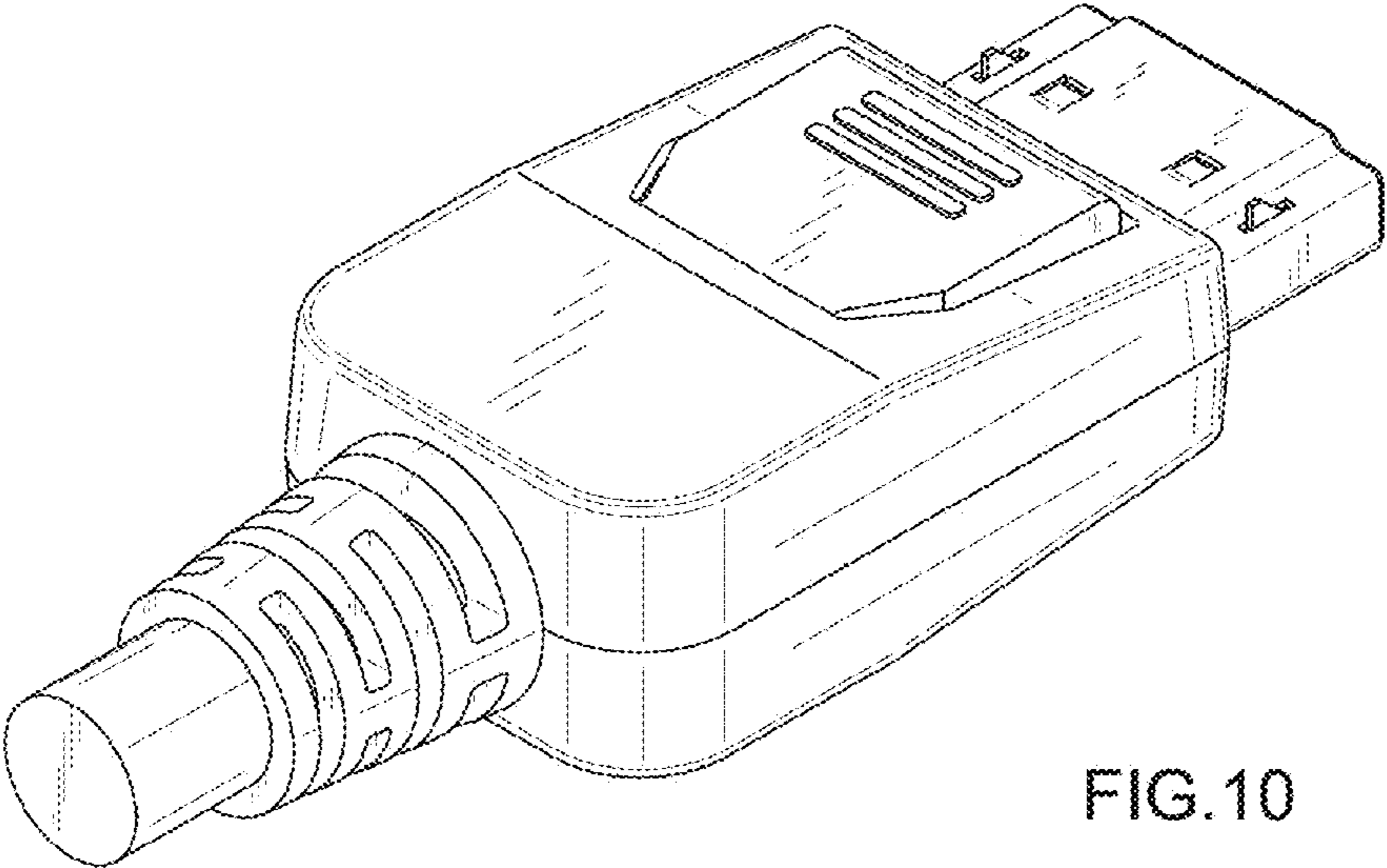


FIG.10