



US00D708575S

(12) **United States Design Patent**  
**Aromin**

(10) **Patent No.:** **US D708,575 S**  
(45) **Date of Patent:** **\*\* Jul. 8, 2014**

(54) **MINIATURE APPLIANCE LEAKAGE  
CURRENT INTERRUPTER**

(71) Applicant: **Victor V. Aromin**, West Warwick, RI  
(US)

(72) Inventor: **Victor V. Aromin**, West Warwick, RI  
(US)

(73) Assignee: **Tower Manufacturing Corp.**,  
Providence, RI (US)

(\*\*) Term: **14 Years**

(21) Appl. No.: **29/463,321**

(22) Filed: **Oct. 12, 2013**

(51) **LOC (10) Cl.** ..... **13-02**

(52) **U.S. Cl.**  
USPC ..... **D13/110**

(58) **Field of Classification Search**  
USPC ..... D13/110, 107, 108, 118, 123, 133, 144,  
D13/153, 154, 199; 307/10.1; 320/114;  
361/42, 50, 115, 118, 622, 623, 709,  
361/730; 363/132, 141, 146; 439/447, 448,  
439/483, 668, 669, 682; D10/75  
See application file for complete search history.

(56) **References Cited**

**U.S. PATENT DOCUMENTS**

D364,826 S \* 12/1995 Wu ..... D10/75  
5,613,863 A \* 3/1997 Klaus et al. .... 439/131

5,862,029 A \* 1/1999 Nicol ..... 361/42  
6,086,395 A \* 7/2000 Lloyd et al. .... 439/172  
D549,172 S \* 8/2007 Suzuki ..... D13/110  
D602,432 S \* 10/2009 Moussa ..... D13/110  
7,672,098 B2 \* 3/2010 Zhang et al. .... 361/42  
D624,495 S \* 9/2010 Shum et al. .... D13/110  
D627,719 S \* 11/2010 DuMelle et al. .... D13/110

\* cited by examiner

*Primary Examiner* — Derrick Holland

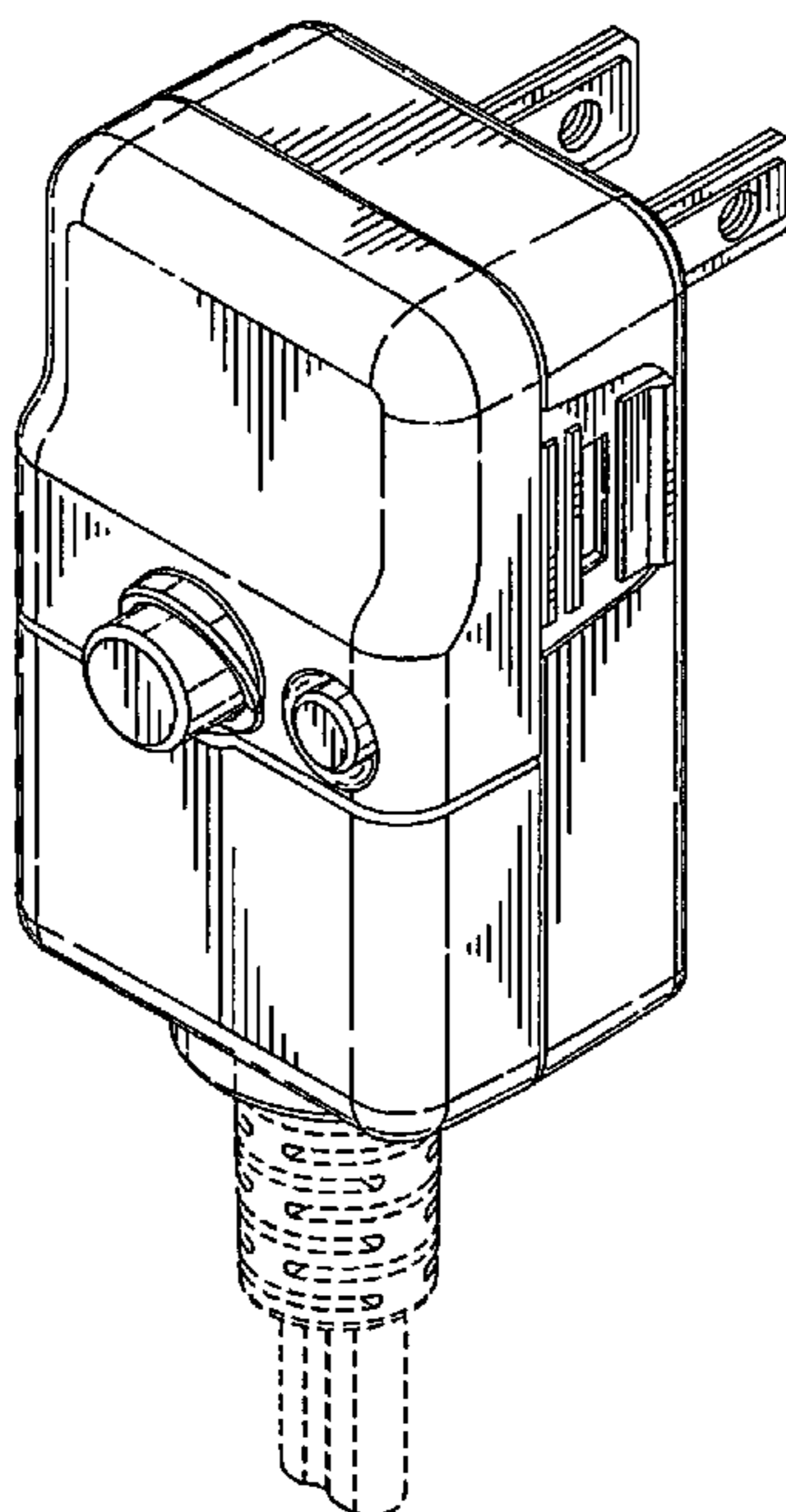
(57) **CLAIM**

The ornamental design for a miniature appliance leakage current interrupter, as shown and described.

**DESCRIPTION**

FIG. 1 is a front perspective view of the miniature appliance leakage current interrupter employing my new design;  
FIG. 2 is a rear perspective view of FIG. 1;  
FIG. 3 is a top view of FIG. 1;  
FIG. 4 is a bottom view of FIG. 1;  
FIG. 5 is a left side view of FIG. 1;  
FIG. 6 is a right side view of FIG. 1;  
FIG. 7 is a top plan view of FIG. 1;  
FIG. 8 is a bottom plan view of FIG. 1;  
FIG. 9 is an alternate embodiment of FIG. 1;  
FIG. 10 is a rear perspective view of FIG. 9;  
FIG. 11 is an alternate embodiment of FIG. 1; and,  
FIG. 12 is a rear perspective view of FIG. 11.  
The broken lines shown represent unclaimed subject matter and form no part of the claimed design.

**1 Claim, 11 Drawing Sheets**



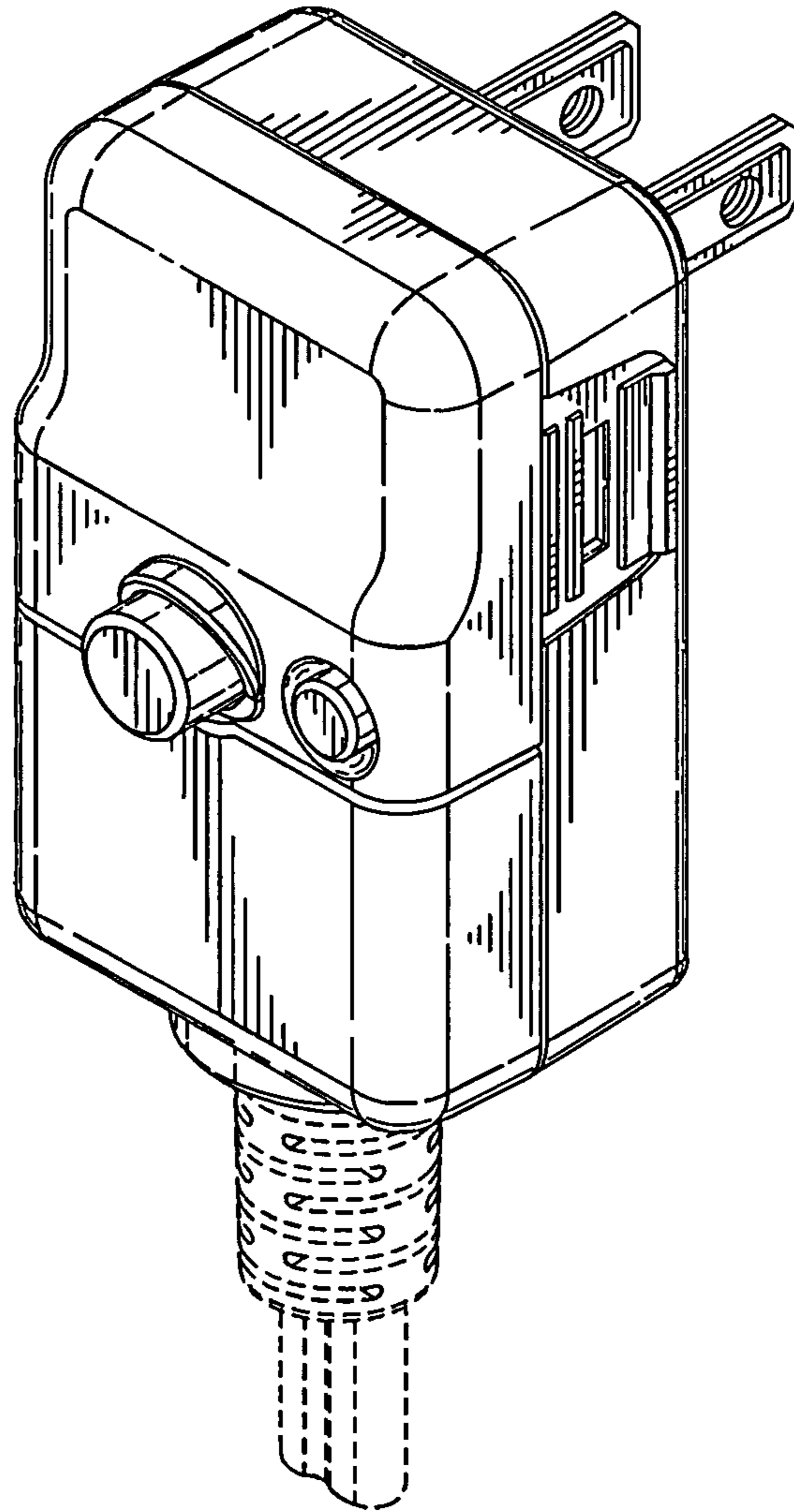


FIG. 1

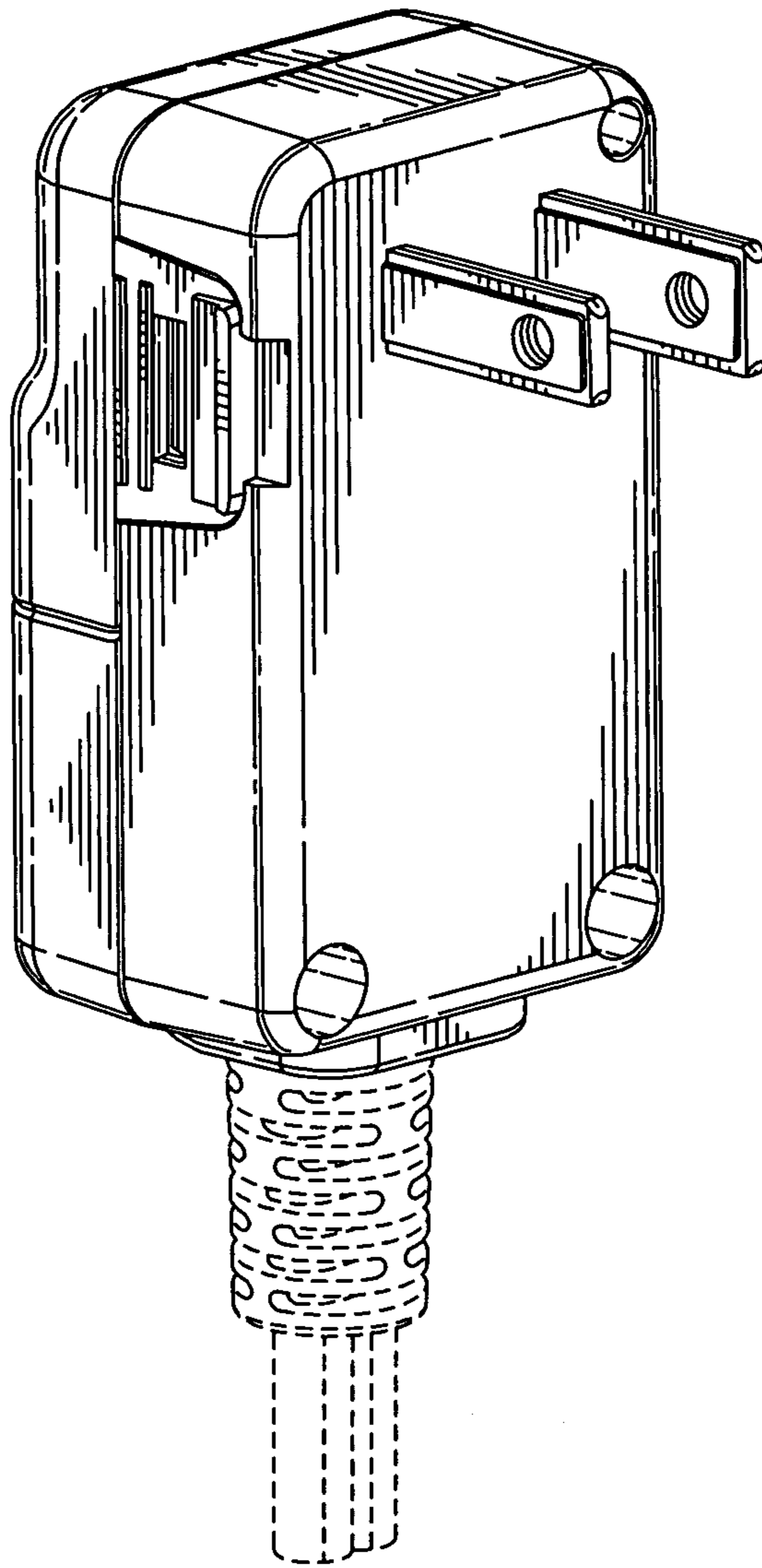


FIG. 2

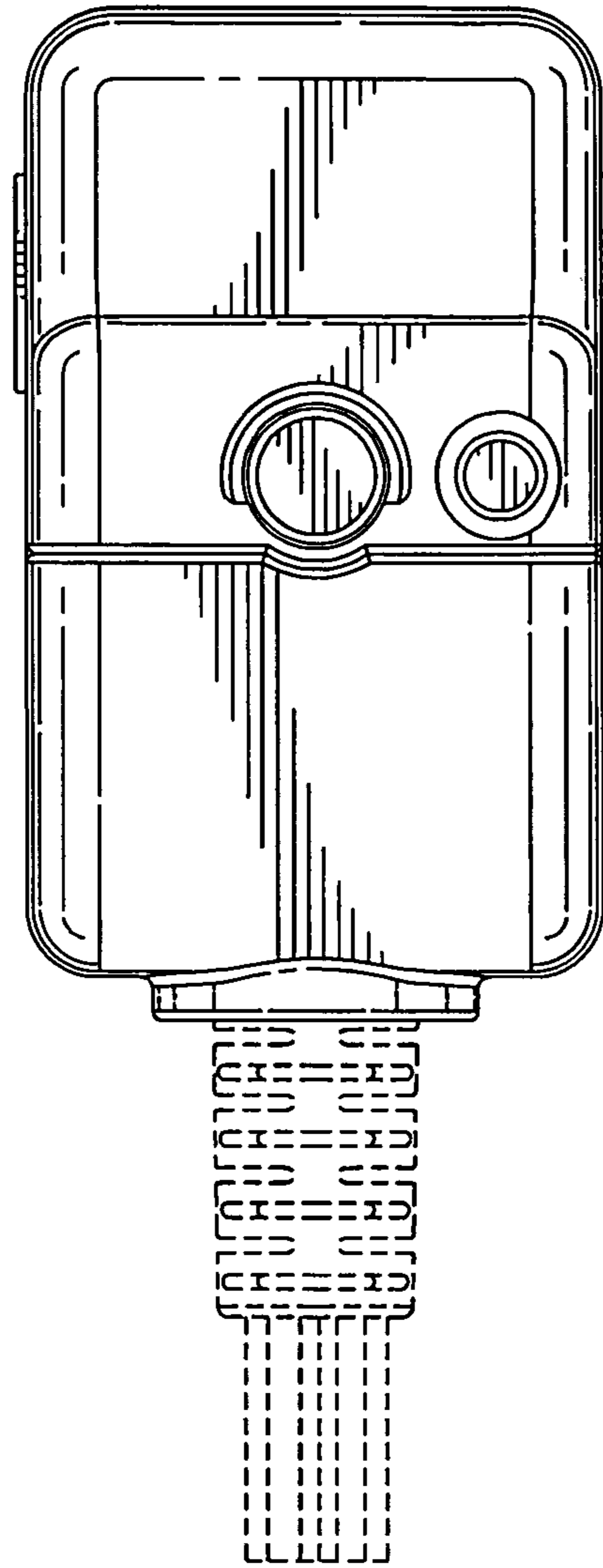


FIG. 3

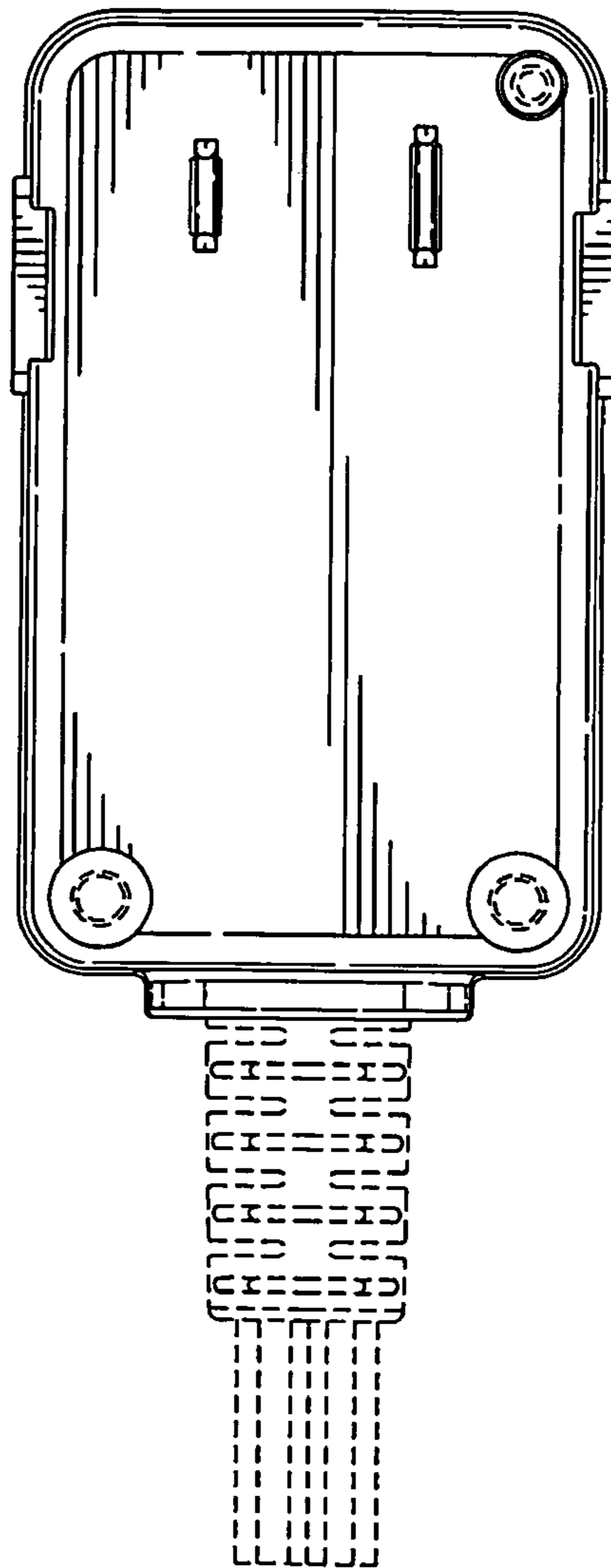


FIG. 4

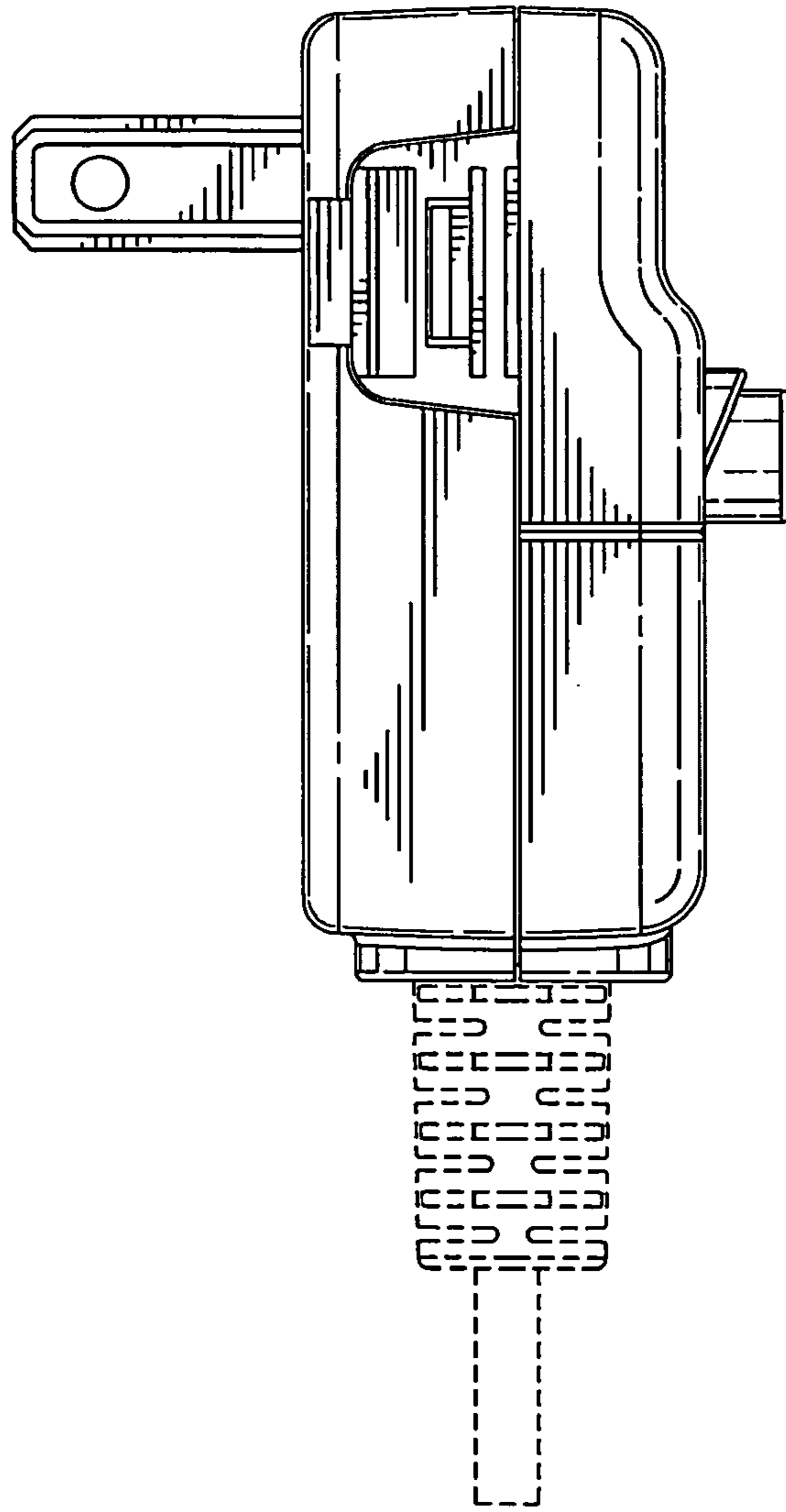


FIG. 5

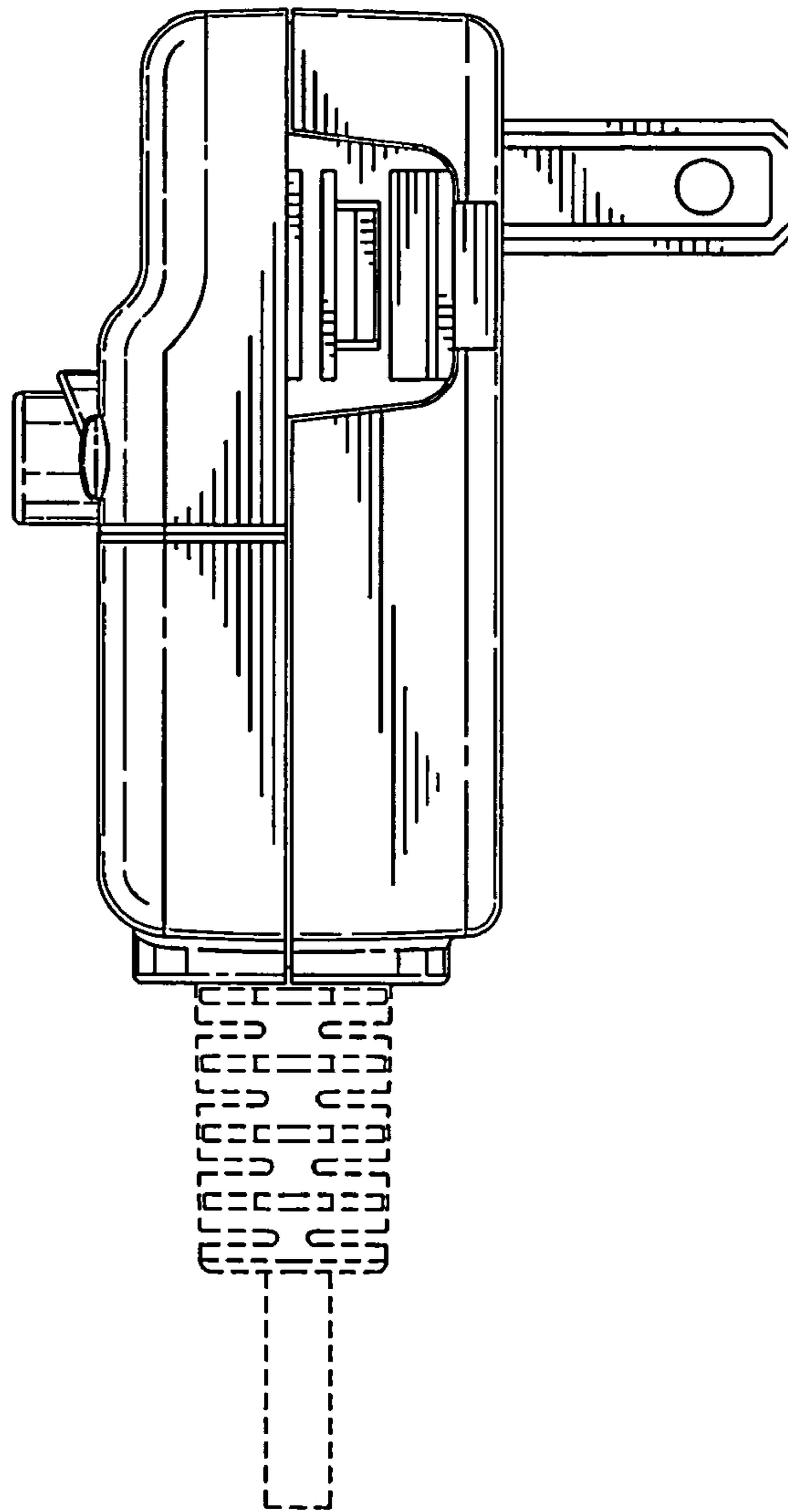


FIG. 6

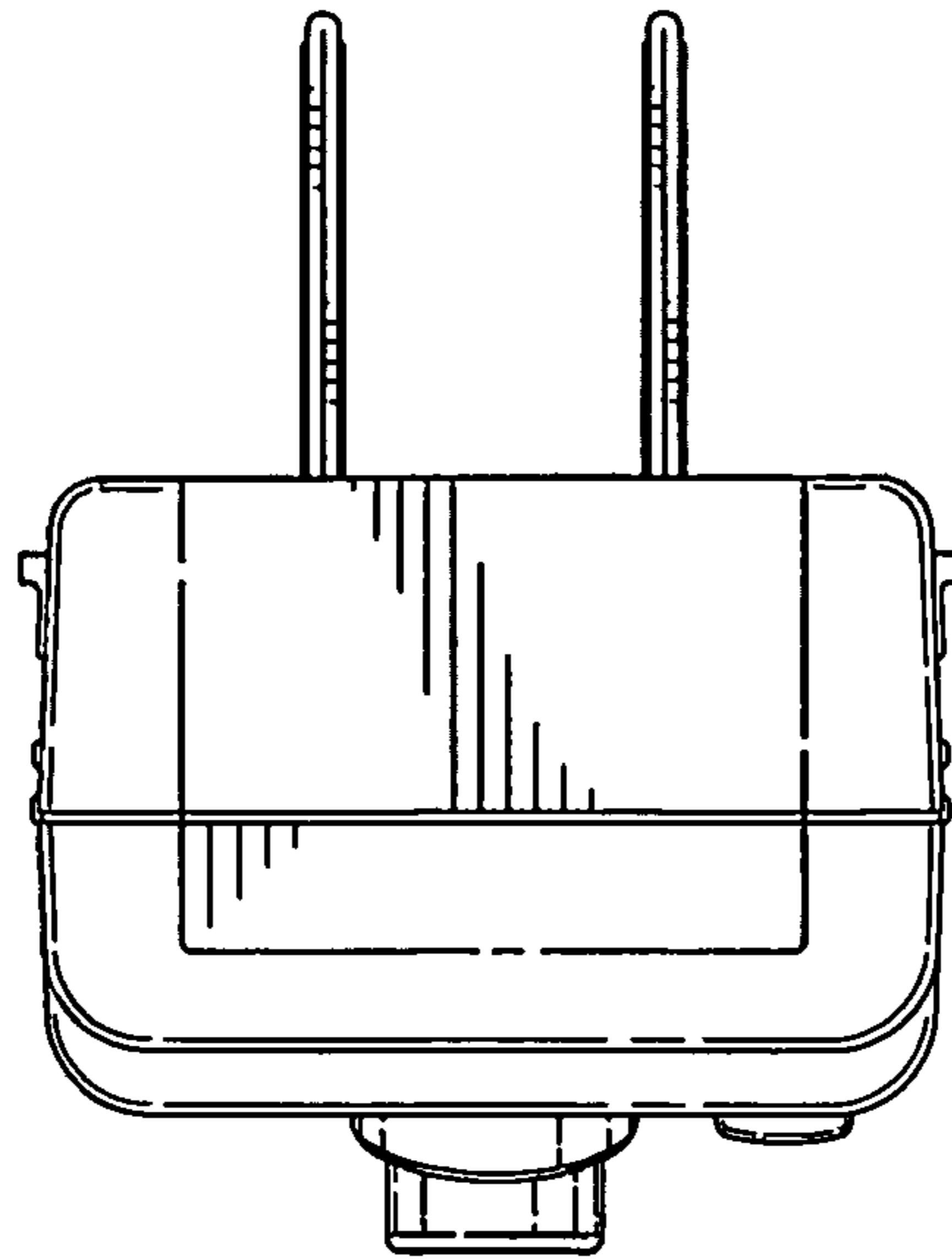


FIG. 7

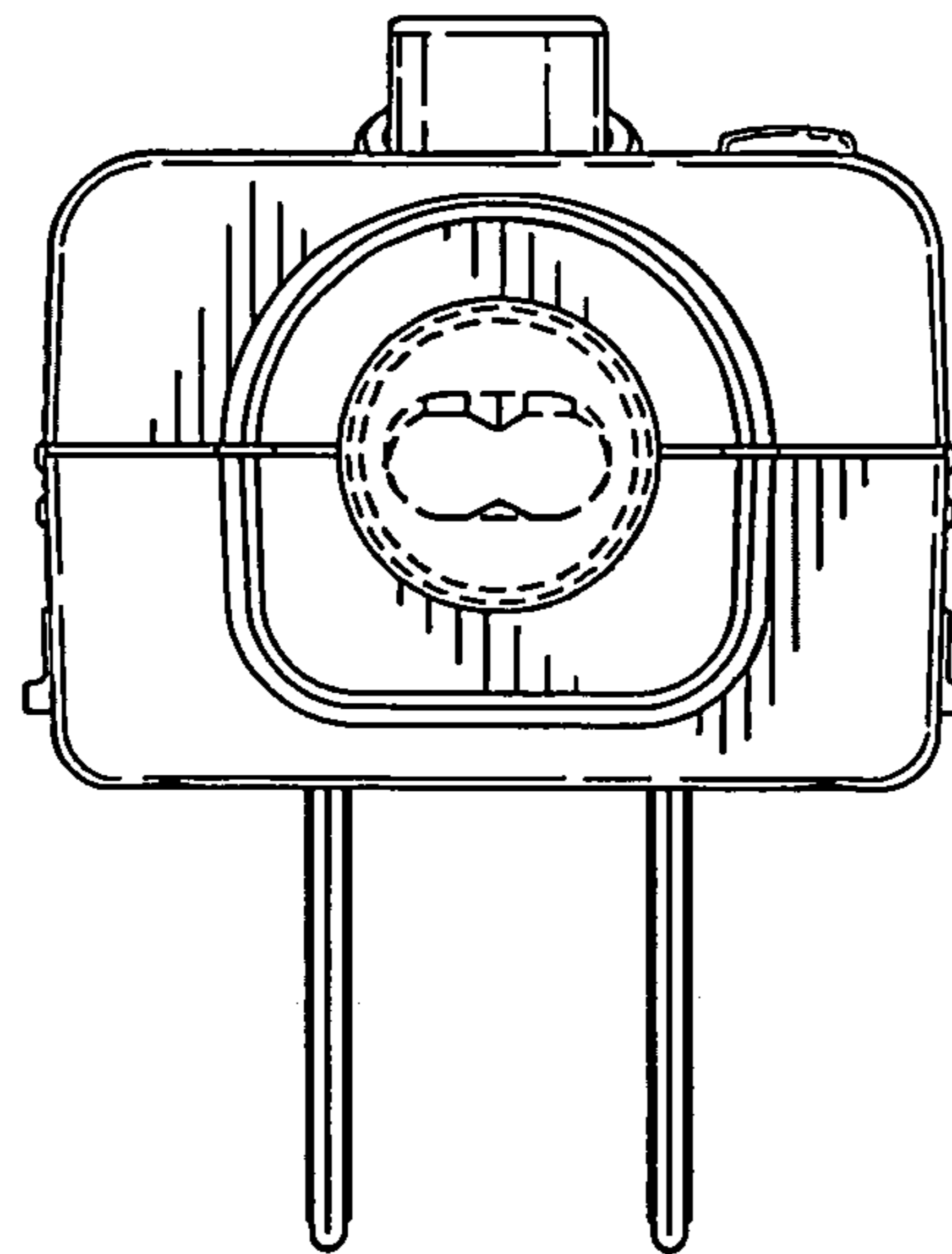


FIG. 8



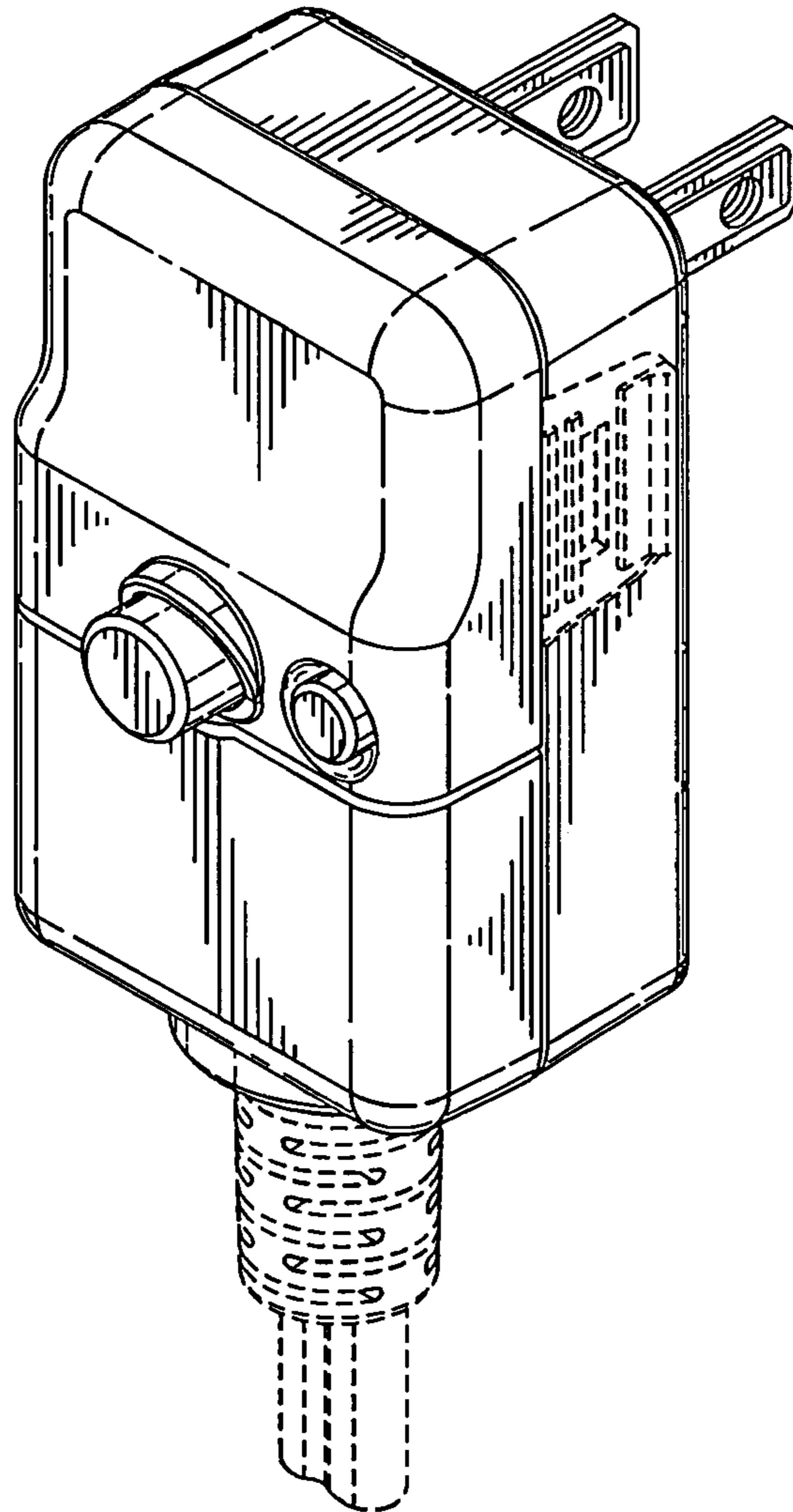


FIG. 9

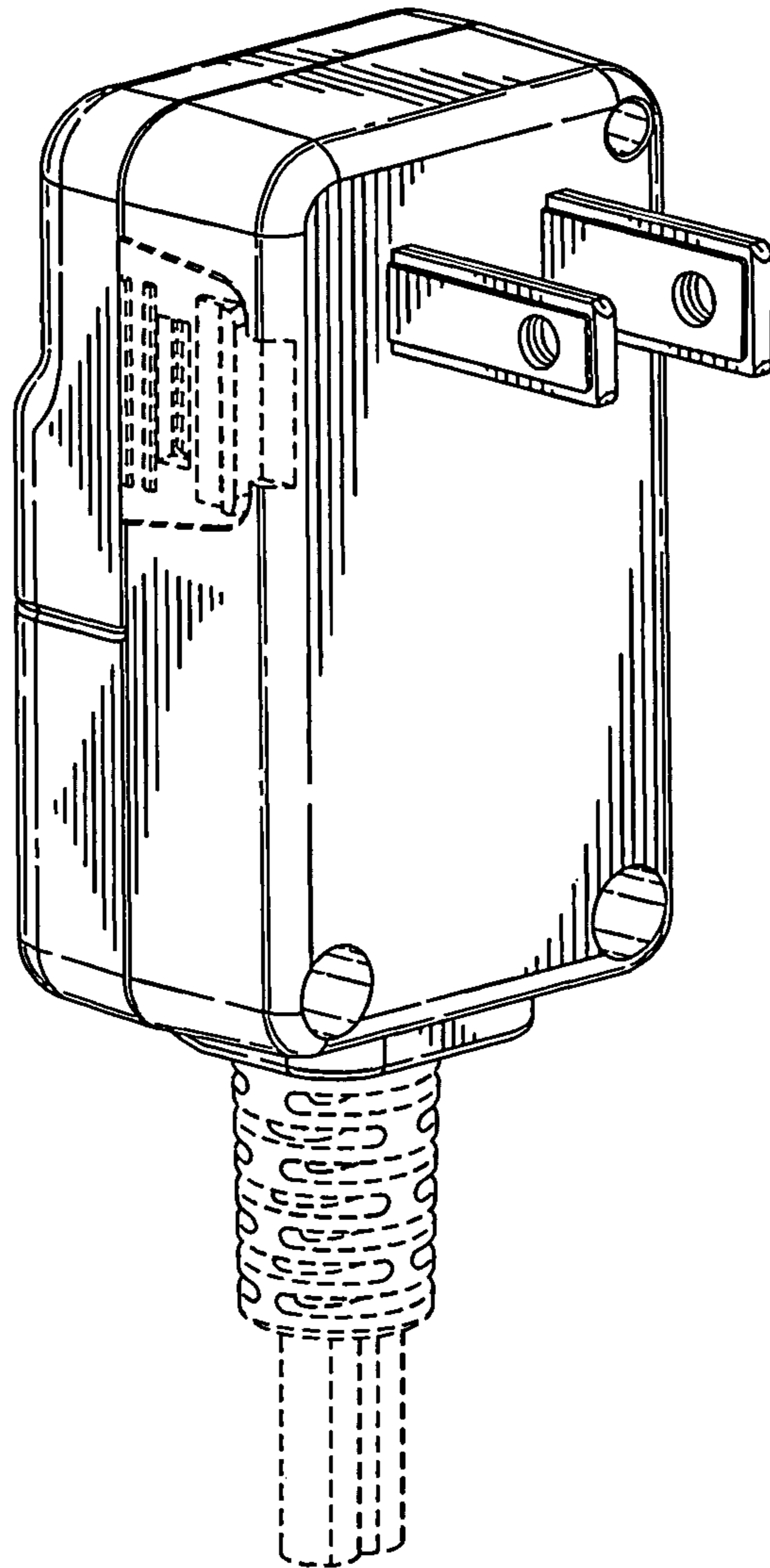


FIG. 10

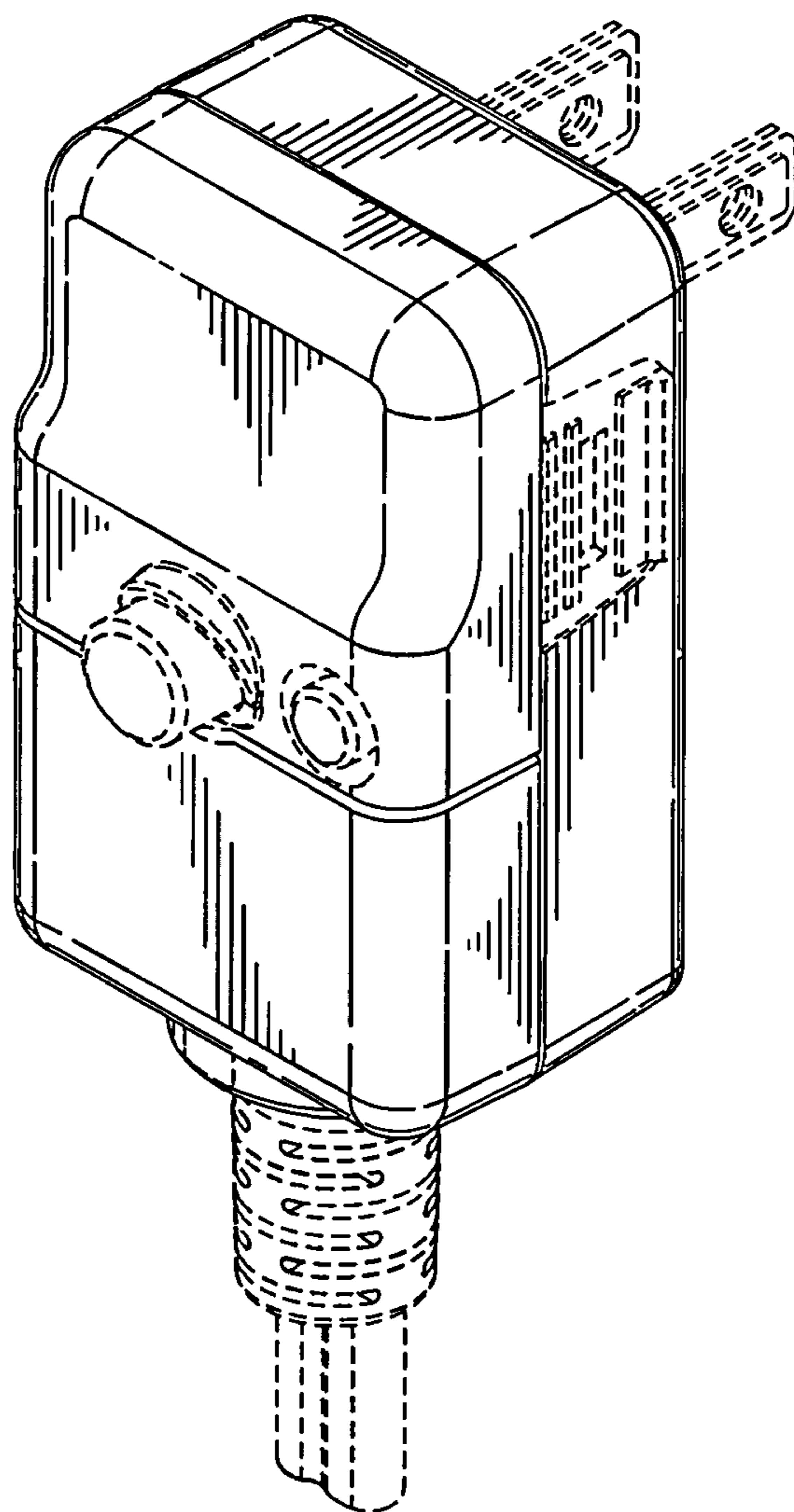


FIG. 11

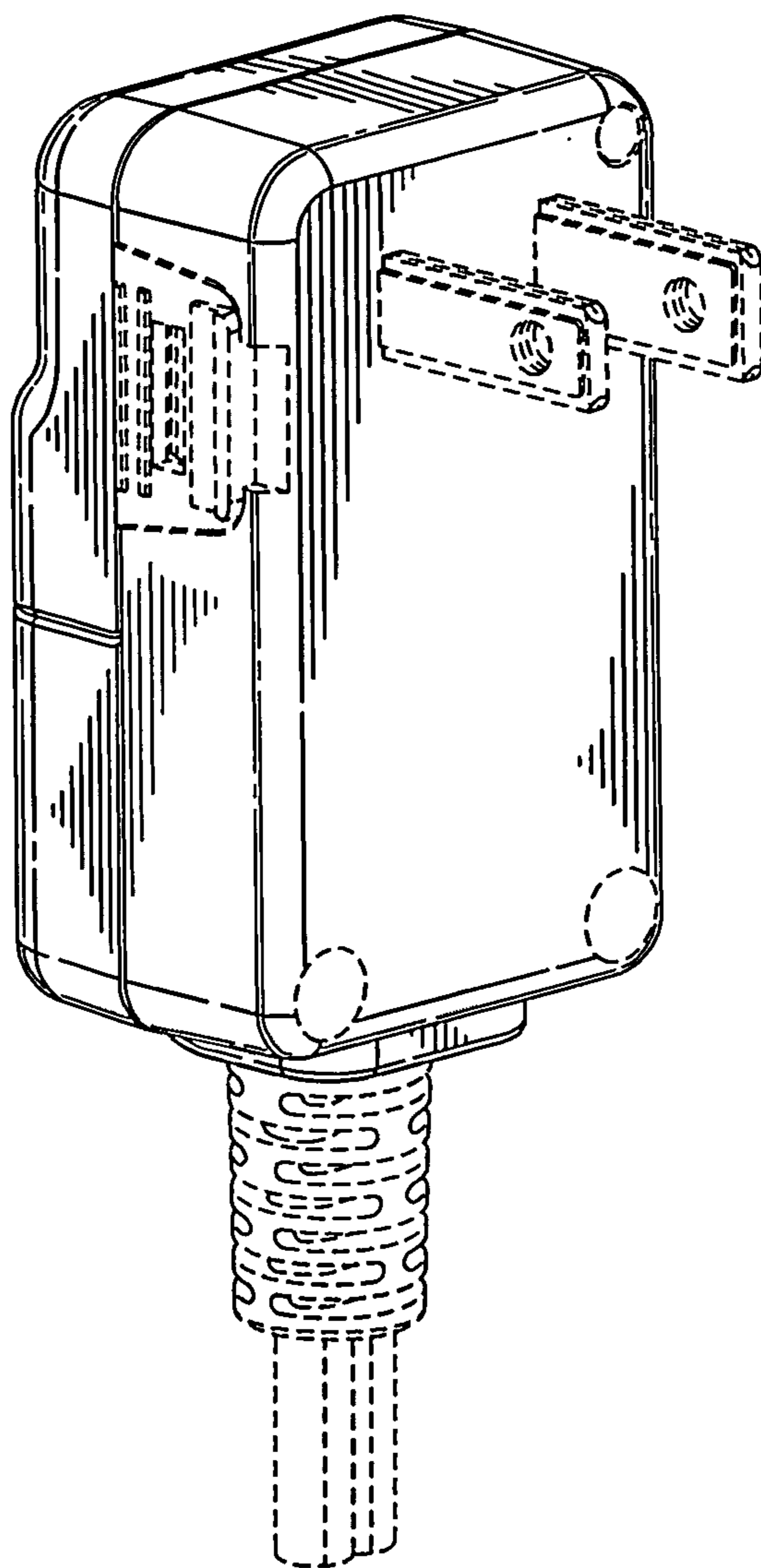


FIG. 12