



US00D708573S

(12) **United States Design Patent**
Gieniec et al.

(10) **Patent No.:** **US D708,573 S**

(45) **Date of Patent:** **** Jul. 8, 2014**

(54) **CHARGING STAND**

(71) Applicants: **Andre Gieniec**, Chicago, IL (US);
Gergana Radoynova, Chicago, IL (US)

(72) Inventors: **Andre Gieniec**, Chicago, IL (US);
Gergana Radoynova, Chicago, IL (US)

(73) Assignee: **Power Tower, Inc.**, Chicago, IL (US)

(**) Term: **14 Years**

(21) Appl. No.: **29/473,545**

(22) Filed: **Nov. 22, 2013**

(51) **LOC (10) Cl.** **13-02**

(52) **U.S. Cl.**
USPC **D13/107**

(58) **Field of Classification Search**
CPC Y02E 60/12; Y02T 90/14; Y02T 90/122;
Y02T 90/128; Y02T 90/163; Y02T 10/7005;
Y02T 10/705; Y02T 10/7088; H02J 3/32;
H02J 3/008; H02J 7/025; H02J 7/0013;
H02J 7/0027; H02J 7/0034; H02J 7/0042;
H02J 7/0044; H02J 7/0045; H02J 7/0054;
H02J 7/1423; H02J 7/0003; H02J 2001/006;
H02J 2001/008; H01F 38/14; H01R 13/6675;
H01M 2/1022; H01M 2/1055; H01M 10/44;
H01M 10/46; H01M 10/425; B60L 11/182;
B60L 11/1809; B60L 11/1861; B60R 16/03
USPC D13/106–110, 118–119, 184, 199;
D15/9; 320/103–105, 107–115

See application file for complete search history.

(56) **References Cited**

U.S. PATENT DOCUMENTS

D358,951	S	*	6/1995	Raynor	D6/421
5,461,299	A	*	10/1995	Bruni	320/108
6,459,234	B2	*	10/2002	Kajiura	320/109
D626,064	S	*	10/2010	Cutter et al.	D13/107
D626,065	S	*	10/2010	Cutter et al.	D13/107
D669,026	S	*	10/2012	Oda et al.	D13/107
D672,714	S	*	12/2012	Brandys et al.	D13/107
D674,334	S	*	1/2013	Cutter et al.	D13/107
D683,306	S	*	5/2013	Lecoanet et al.	D13/107
D692,374	S	*	10/2013	Choi	D13/107
D694,179	S	*	11/2013	Zeppetzaer	D13/107
2012/0181984	A1	*	7/2012	Okabayashi et al.	320/109
2013/0132307	A1	*	5/2013	Phelps et al.	705/412

* cited by examiner

Primary Examiner — Rosemary K Tarcza

(74) *Attorney, Agent, or Firm* — Justin Lampel

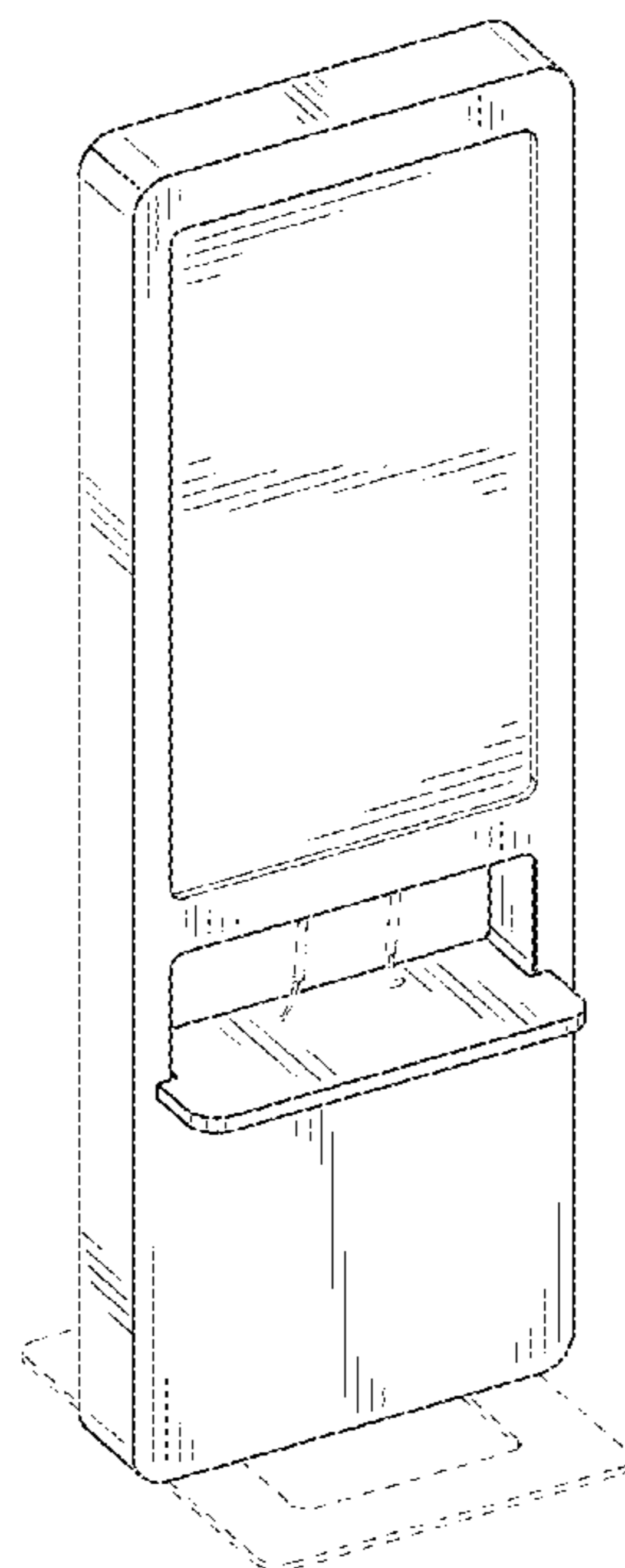
(57) **CLAIM**

The ornamental design for a charging stand, as shown and described.

DESCRIPTION

FIG. 1 is a front perspective view of the charging stand;
FIG. 2 is a front view of the charging stand;
FIG. 3 is a back view of the charging stand;
FIG. 4 is a side view of the charging stand;
FIG. 5 is a top plan view of the charging stand; and,
FIG. 6 is a bottom plan view of the charging stand.
The broken line showing is for illustrative purposes only and forms no part of the claimed design.

1 Claim, 3 Drawing Sheets



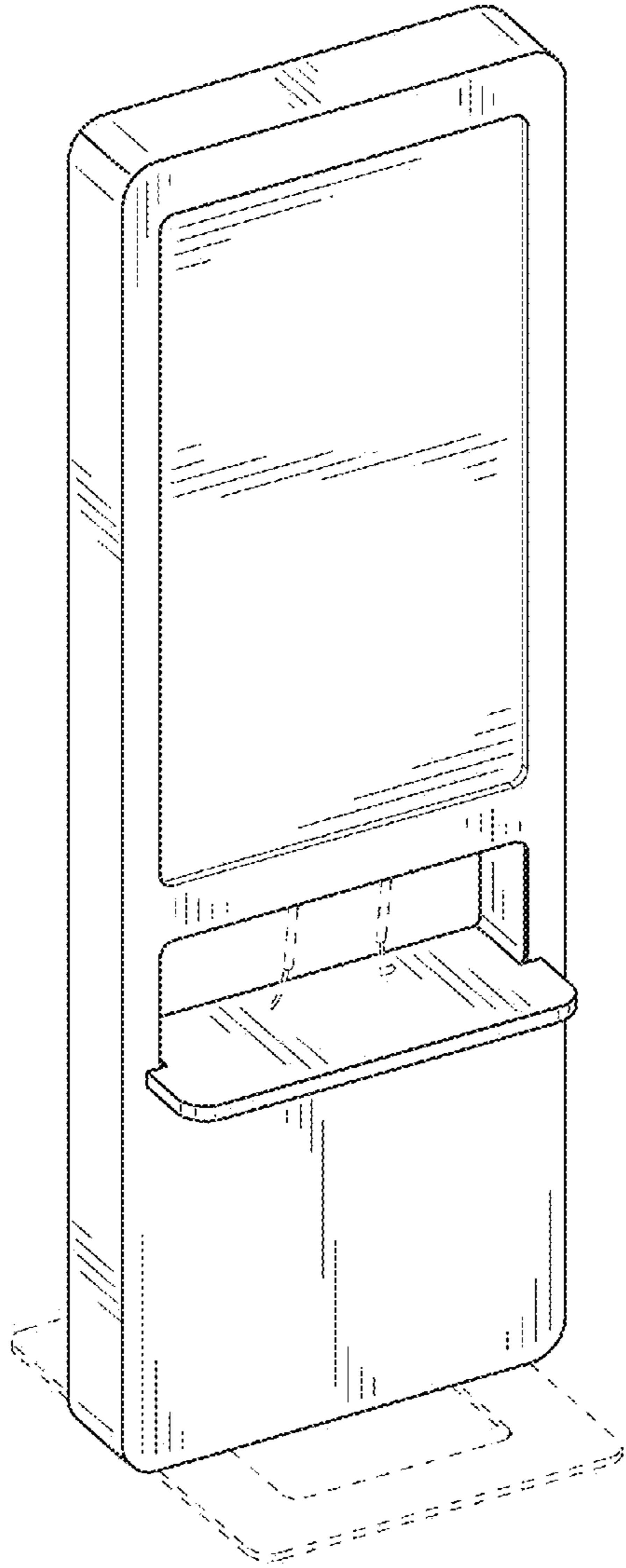


FIG. 1

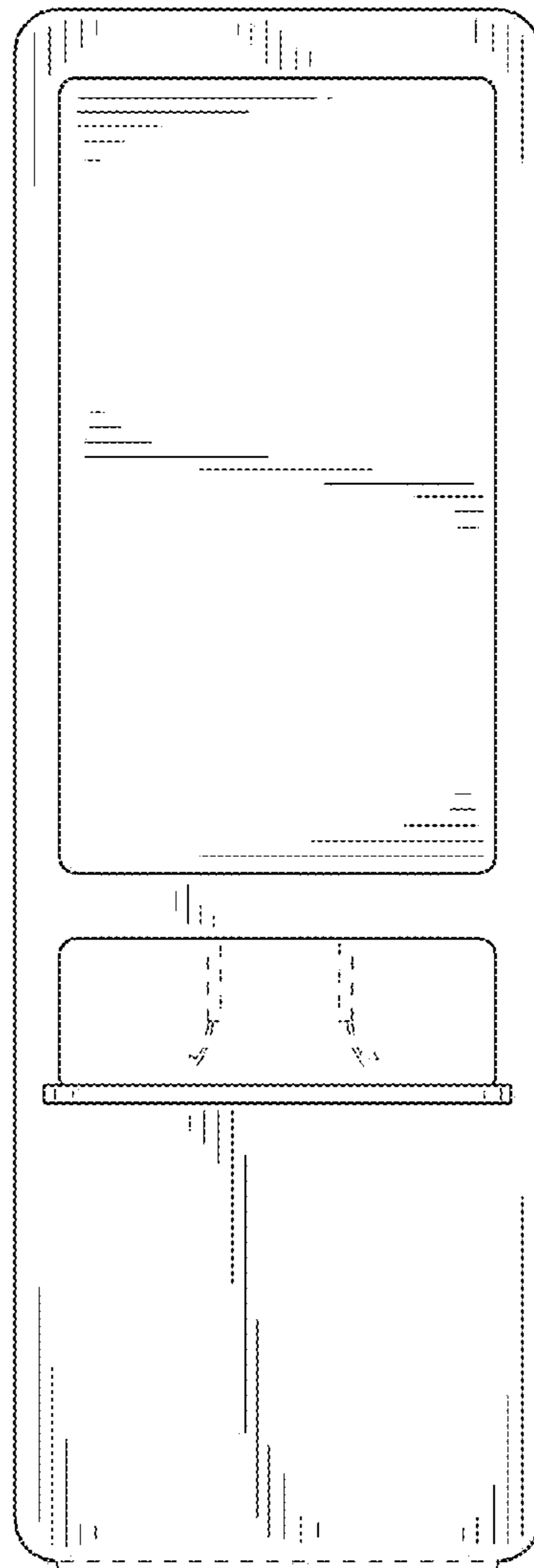


FIG. 2

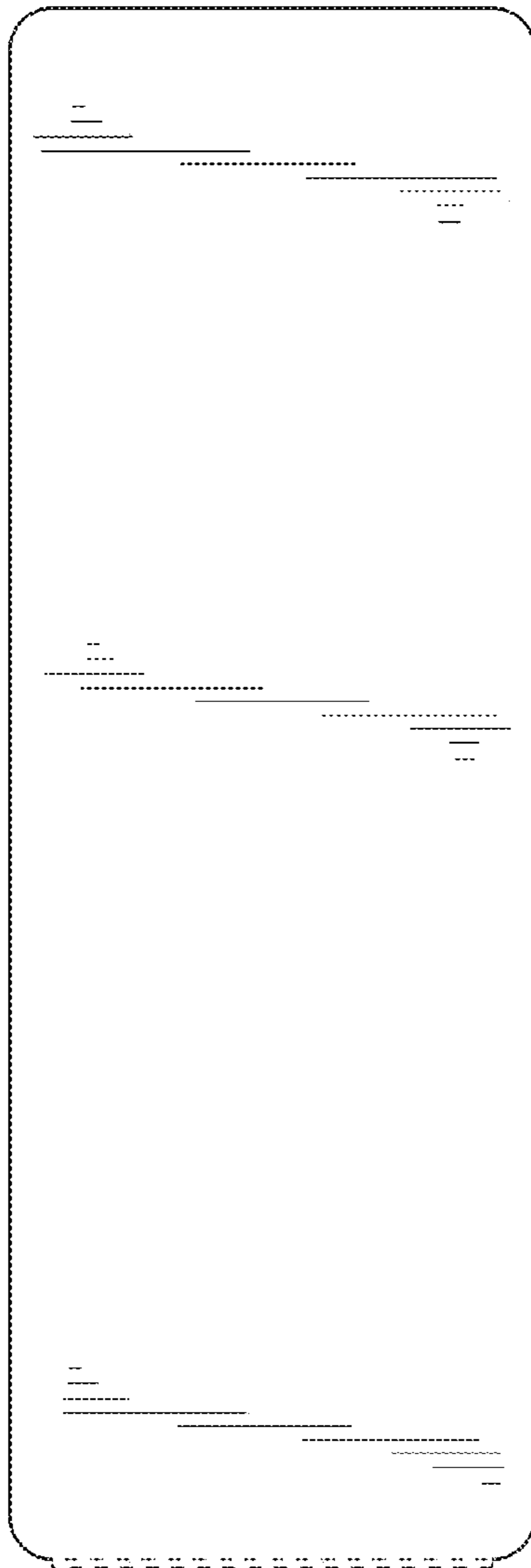


FIG. 3

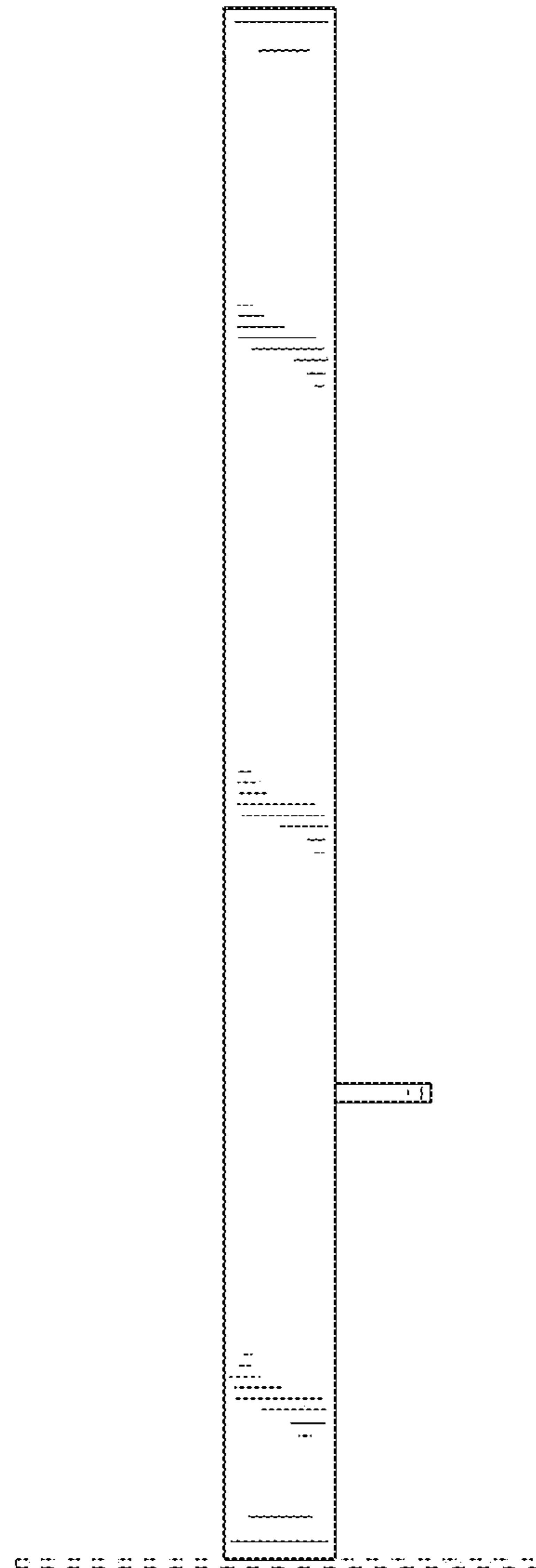


FIG. 4

FIG. 5

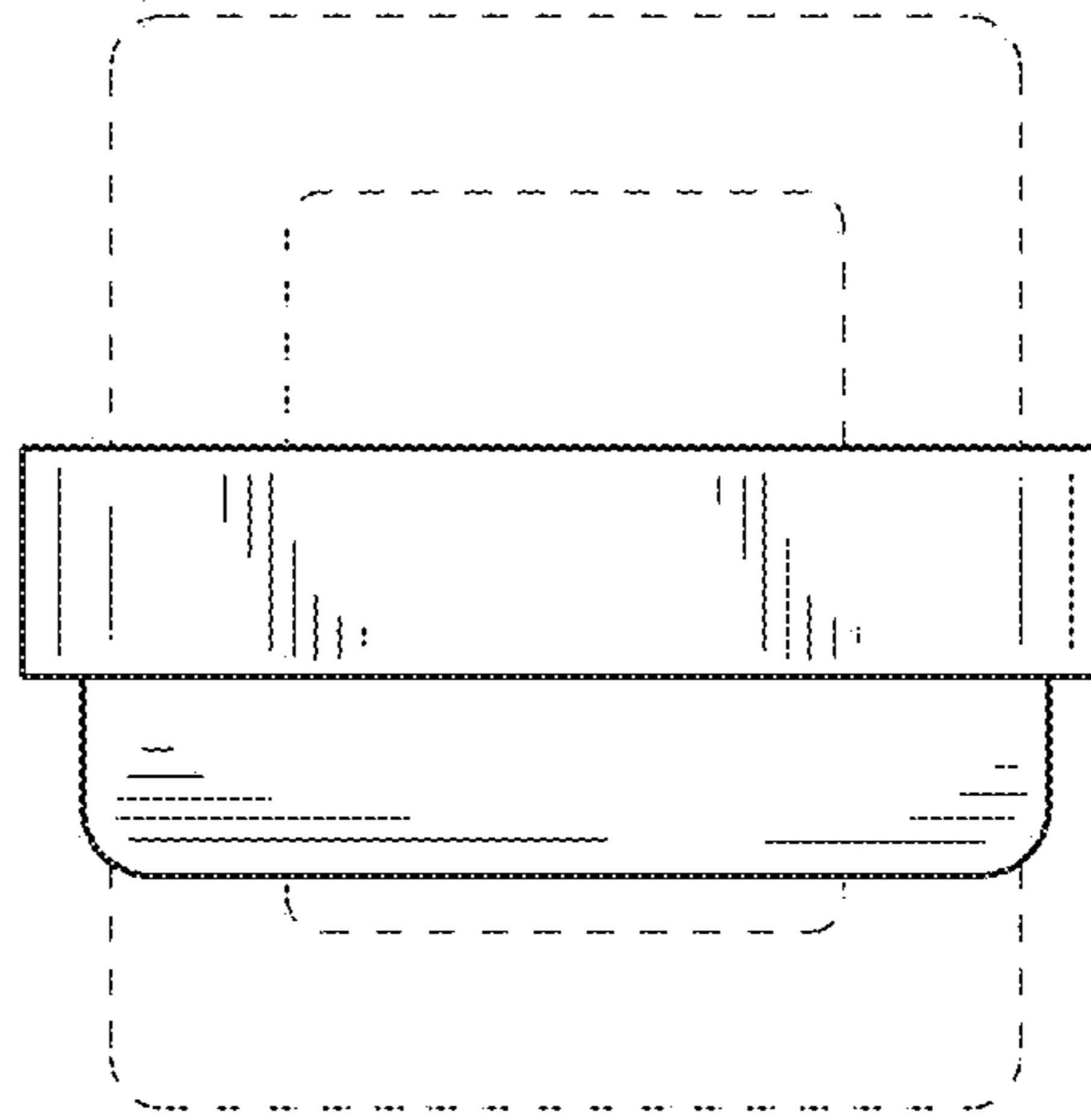


FIG. 6

