



US00D708572S

(12) **United States Design Patent**
Hou et al.

(10) **Patent No.:** **US D708,572 S**
(45) **Date of Patent:** **** Jul. 8, 2014**

(54) **CHARGING CABINET FOR AN ELECTRIC VEHICLE**

(75) Inventors: **Xiaoguang Hou**, Guangdong (CN);
Lianan Tang, Guangdong (CN);
Wenquan Tang, Guangdong (CN);
Yonggang Wei, Guangdong (CN)

(73) Assignee: **BYD Company Limited**, Shenzhen,
Guangdong (CN)

(**) Term: **14 Years**

(21) Appl. No.: **29/409,205**

(22) Filed: **Dec. 21, 2011**

(30) **Foreign Application Priority Data**

Jul. 22, 2011 (CN) 2011 3 0235340

(51) **LOC (10) Cl.** **13-02**

(52) **U.S. Cl.**
USPC **D13/107**

(58) **Field of Classification Search**
USPC D13/107-110, 118-119, 184, 199;
D15/9; 320/103-115
See application file for complete search history.

(56) **References Cited**

U.S. PATENT DOCUMENTS

D272,304 S * 1/1984 Palermo et al. D6/432
D626,064 S * 10/2010 Cutter et al. D13/107

D626,065 S * 10/2010 Cutter et al. D13/107
D632,645 S * 2/2011 Blain D13/107
D634,267 S * 3/2011 Blain D13/107
D637,553 S * 5/2011 Shin D13/107
D639,733 S * 6/2011 Liu et al. D13/107
D654,858 S * 2/2012 Salazar et al. D13/107
D654,860 S * 2/2012 Holthusen D13/107
D654,861 S * 2/2012 Holthusen D13/107
D655,242 S * 3/2012 Holthusen D13/107
2001/0002786 A1 * 6/2001 Najima 320/108
2011/0174875 A1 * 7/2011 Wurzer 235/380

* cited by examiner

Primary Examiner — Rosemary K Tarca

(74) *Attorney, Agent, or Firm* — Finnegan, Henderson,
Farabow, Garrett & Dunner, LLP

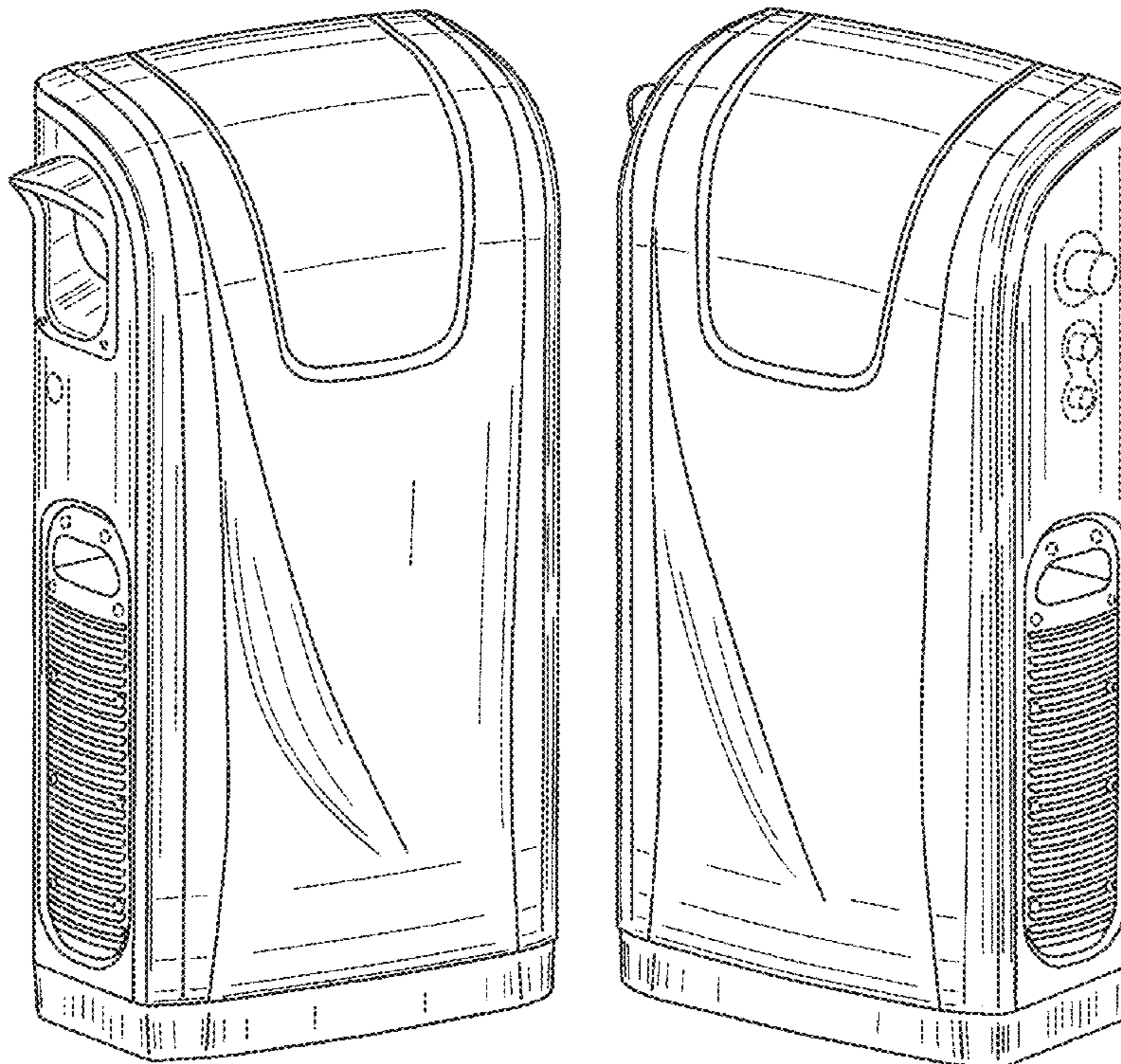
(57) **CLAIM**

The ornamental design for a charging cabinet for an electric vehicle, as shown and described.

DESCRIPTION

FIG. 1 is a front view of a charging cabinet for an electric vehicle, showing our new design;
FIG. 2 is a rear view thereof;
FIG. 3 is a left side view thereof;
FIG. 4 is a right side view thereof;
FIG. 5 is a top plan view thereof;
FIG. 6 is a bottom view thereof;
FIG. 7 is a left front perspective view thereof; and,
FIG. 8 is a right front perspective view thereof.
The broken lines depict environment, and the elements depicted in broken lines are not part of the claimed design.

1 Claim, 7 Drawing Sheets



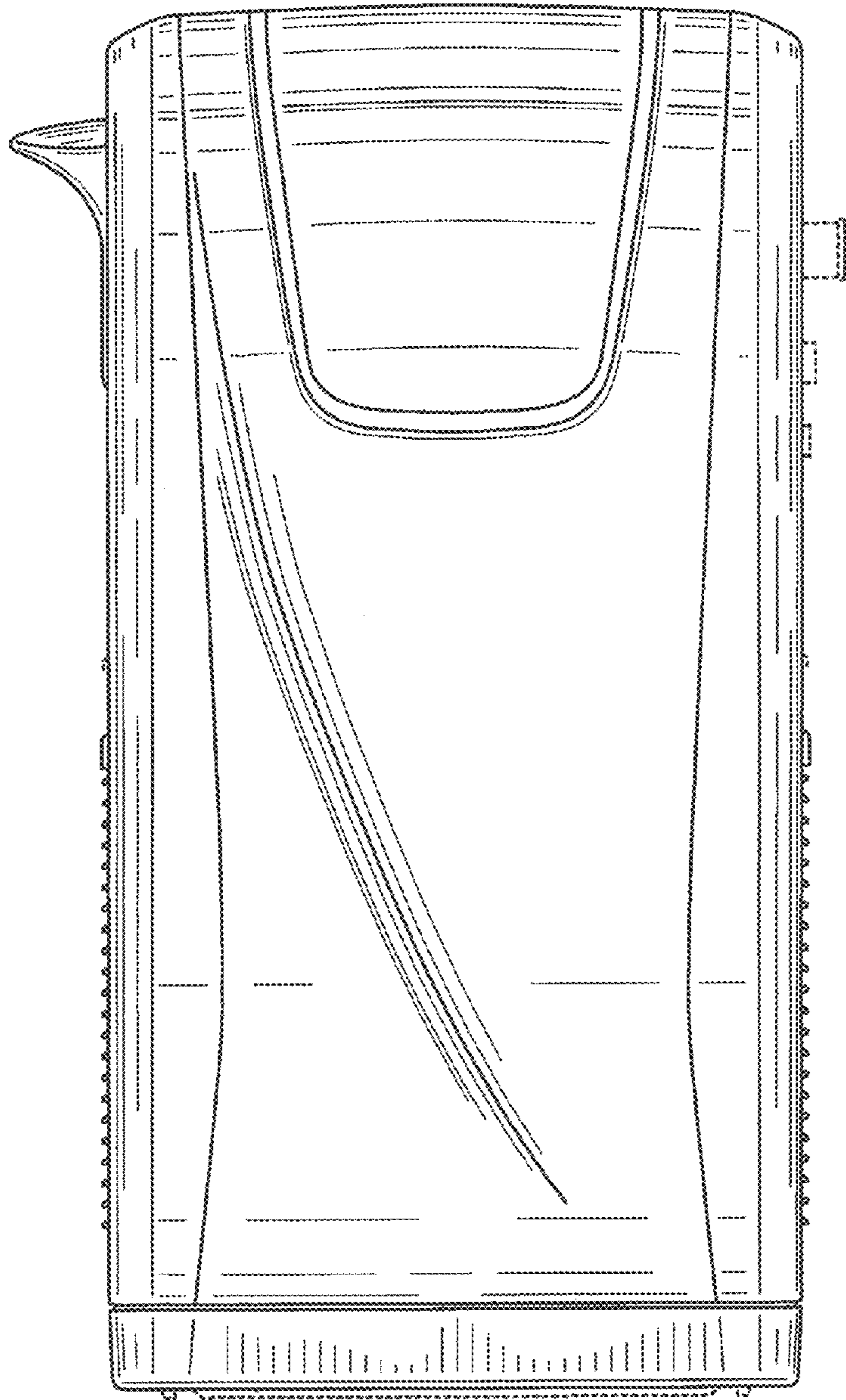


FIG. 1

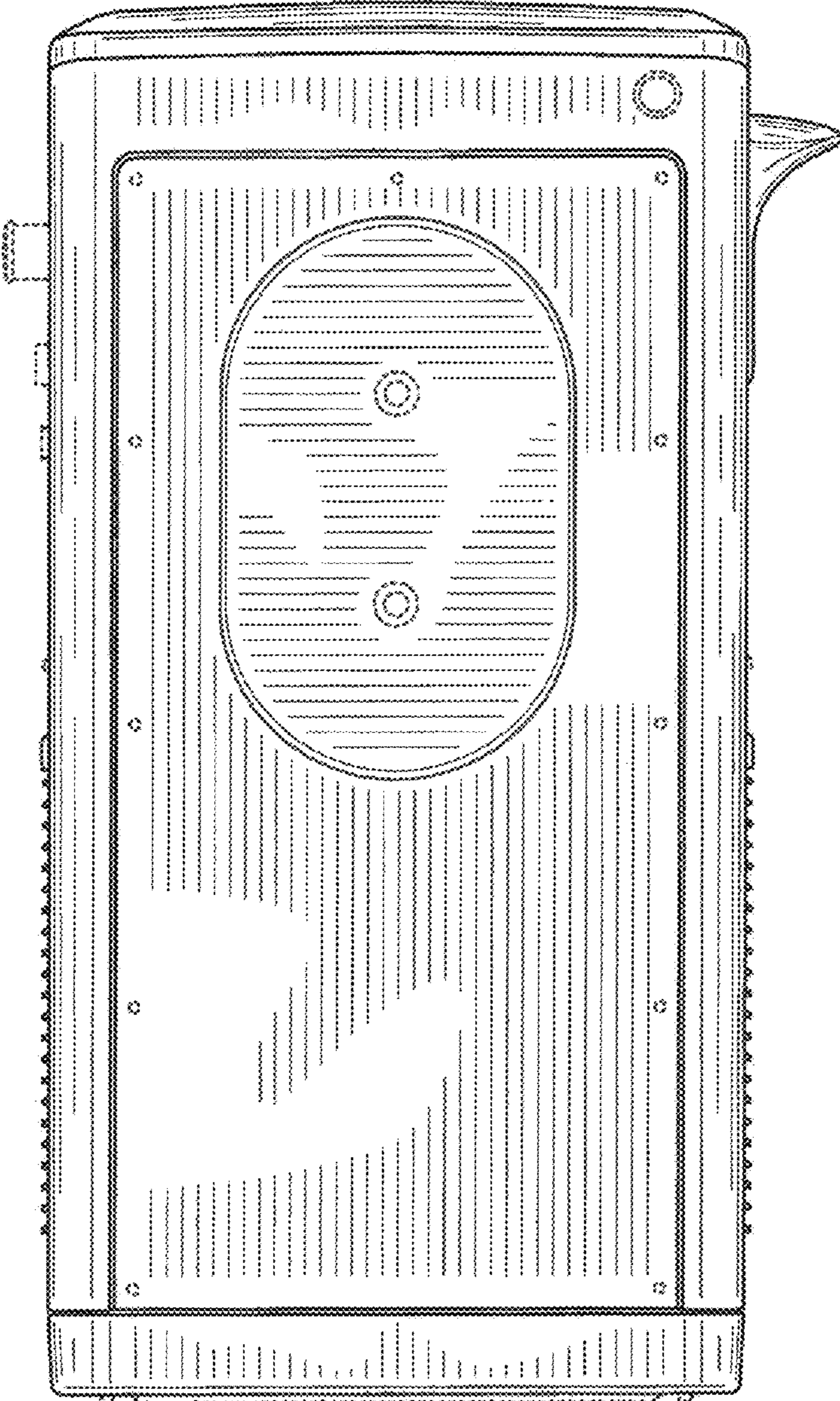


FIG. 2

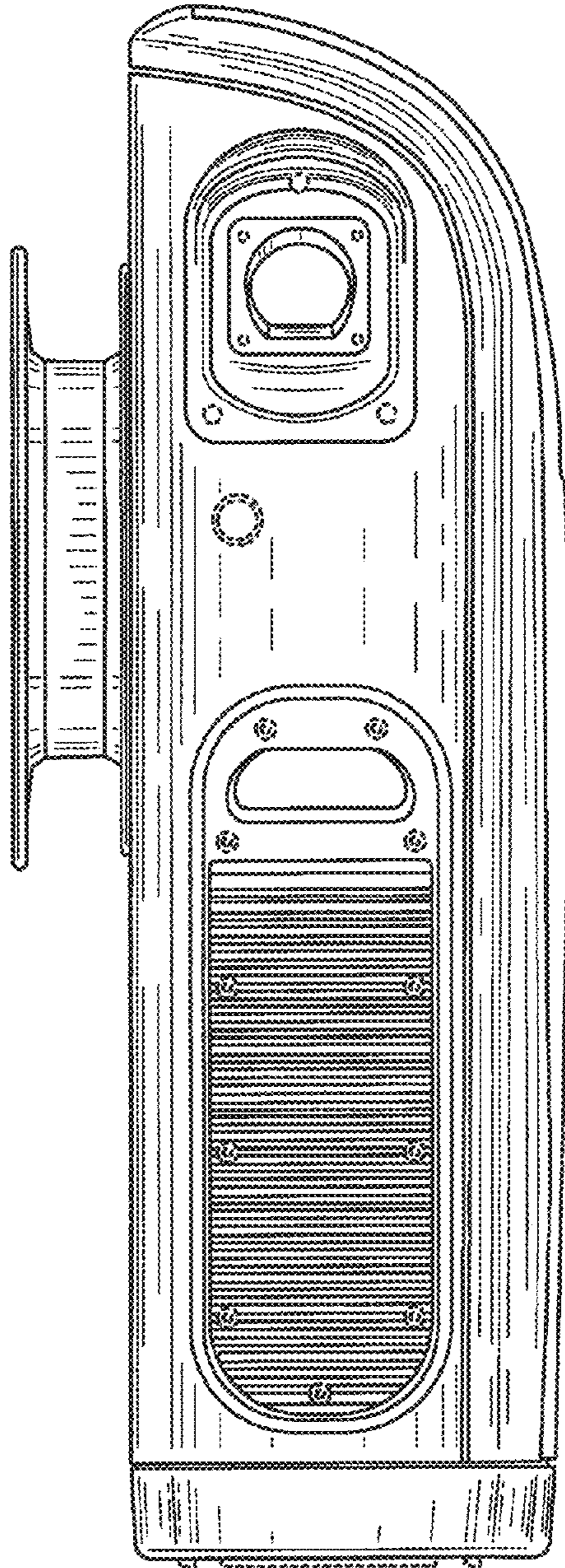


FIG. 3

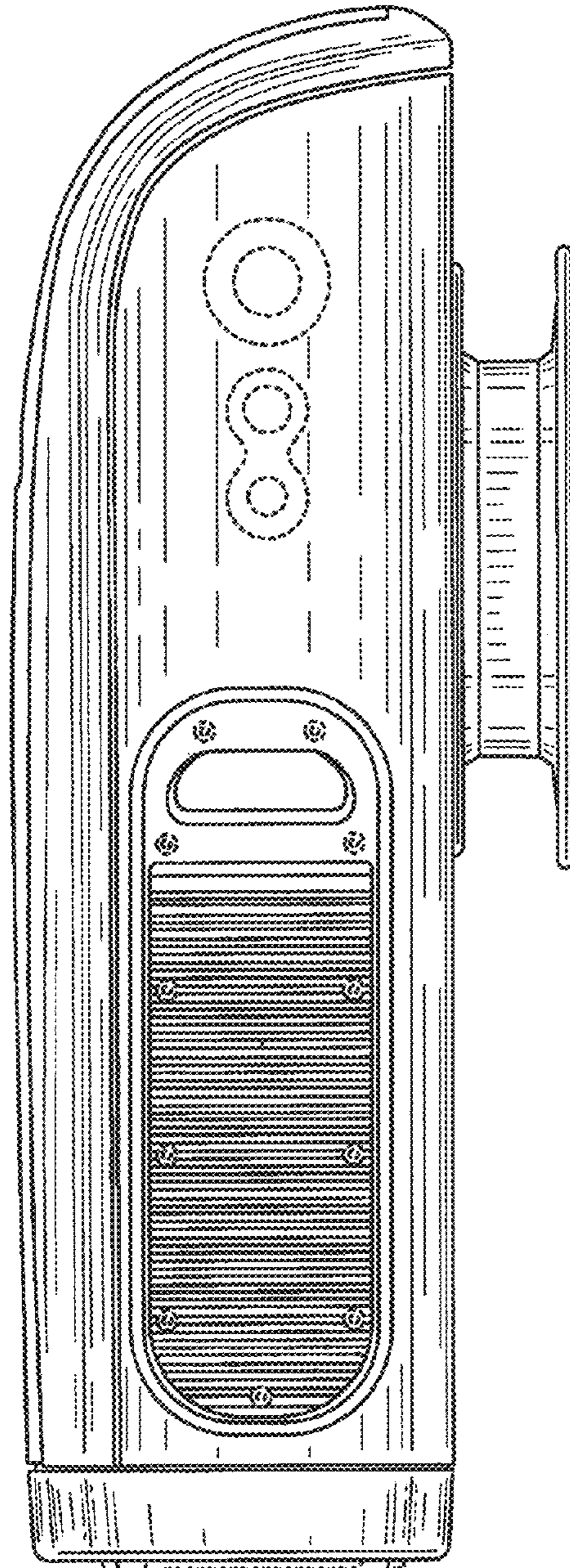


FIG. 4

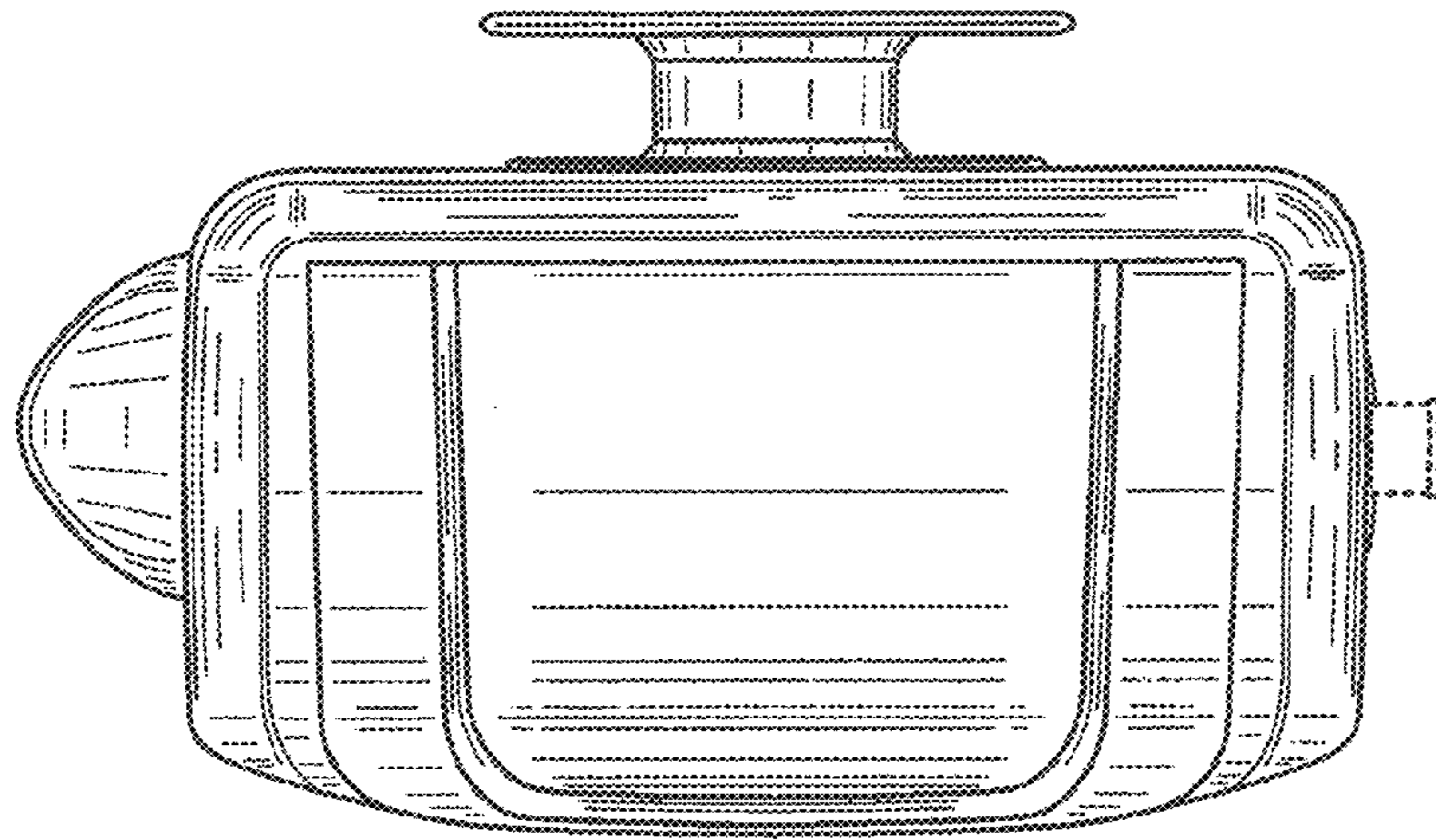


FIG. 5

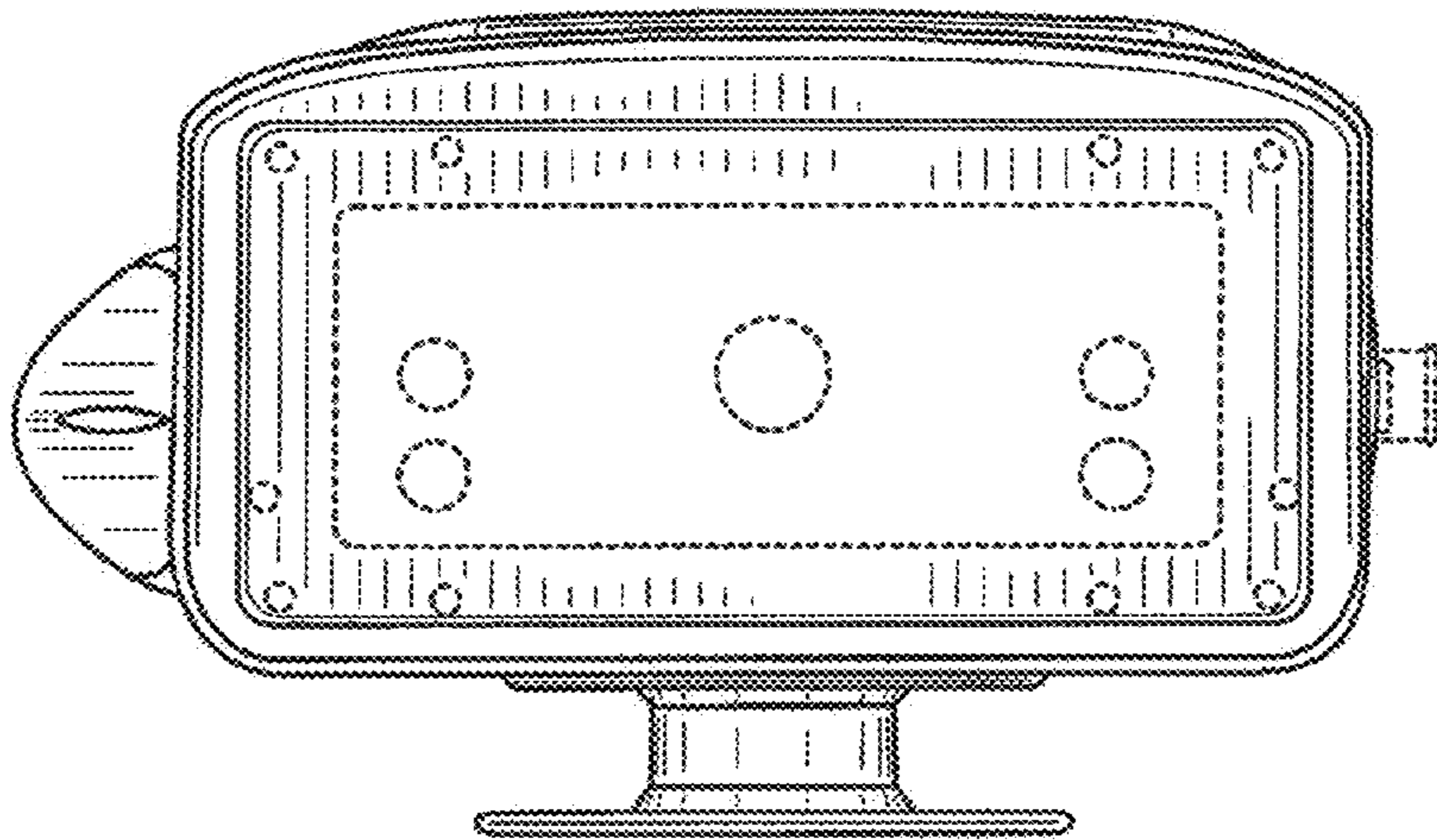


FIG. 6

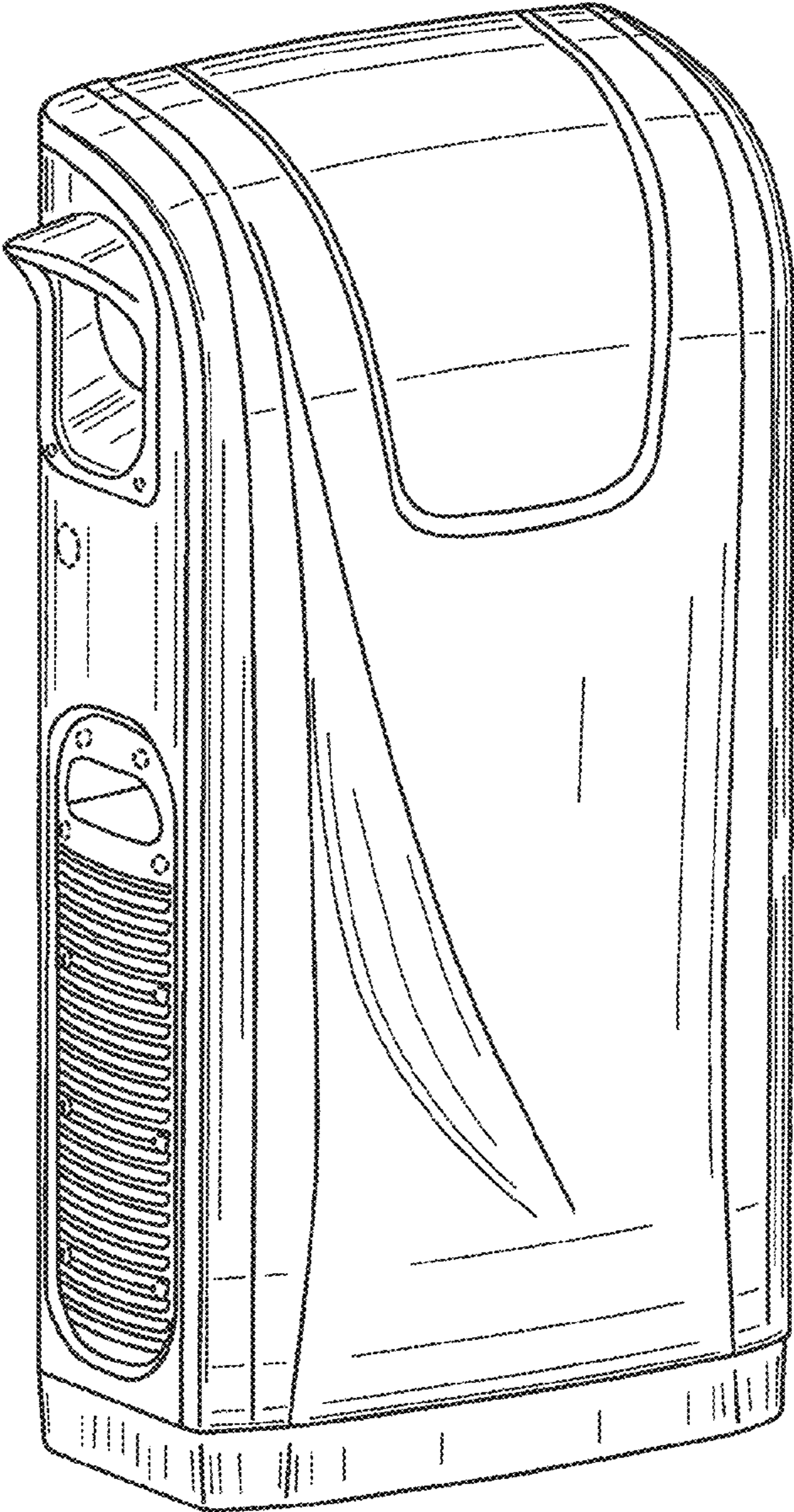


FIG. 7

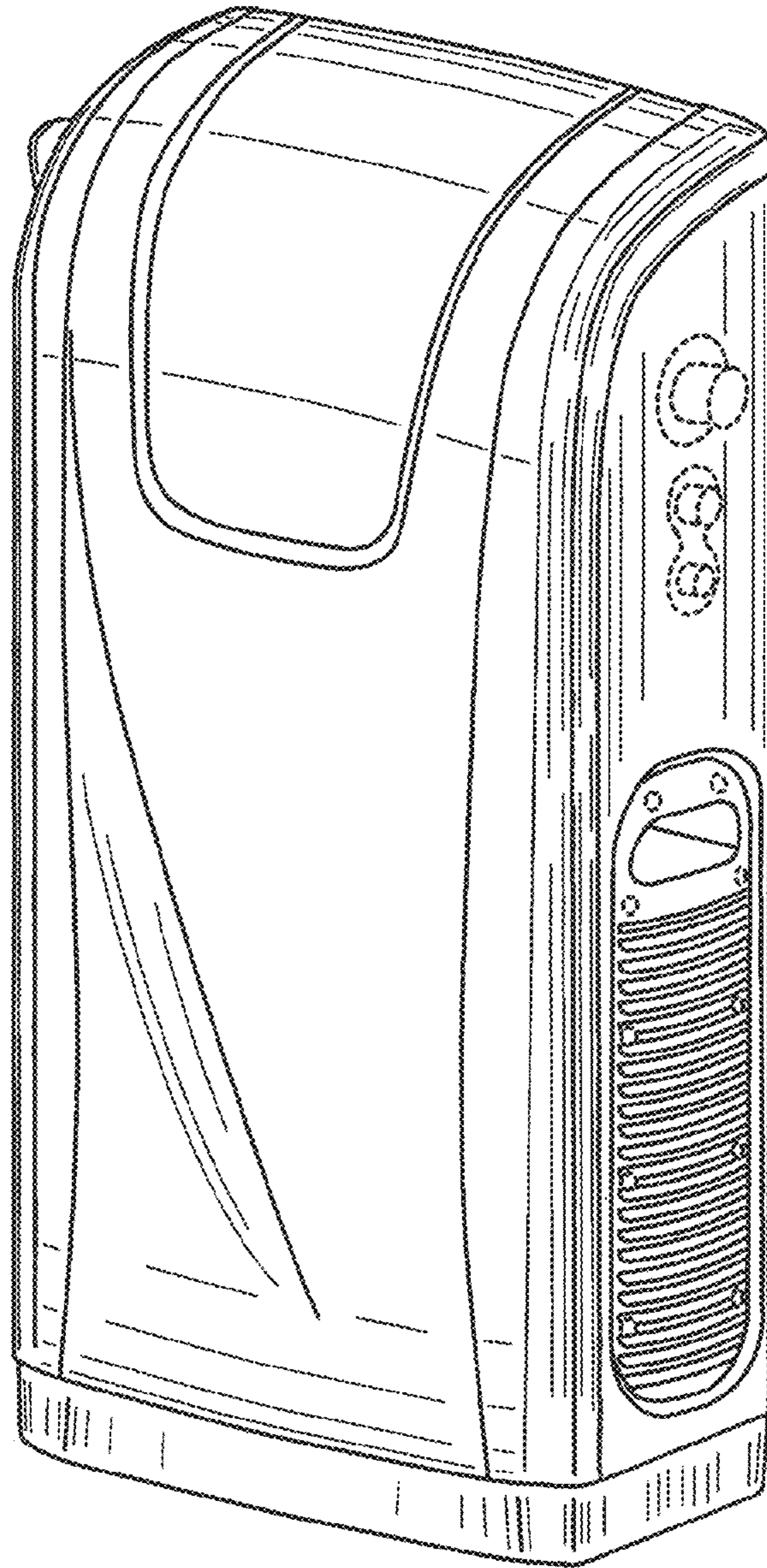


FIG. 8