



US00D708571S

(12) **United States Design Patent**
Ji et al.

(10) **Patent No.:** **US D708,571 S**
(45) **Date of Patent:** **** Jul. 8, 2014**

(54) **BATTERY PACK**

(71) Applicant: **BY Robot Co., Ltd.**, Ansan-si (KR)
(72) Inventors: **Sang Ki Ji**, Anseong-si (KR); **Se Hwa Hong**, Anyang-si (KR)
(73) Assignee: **BY Robot Co., Ltd.**, Ansan-Si (KR)
(**) Term: **14 Years**

(21) Appl. No.: **29/473,203**

(22) Filed: **Nov. 20, 2013**

(30) **Foreign Application Priority Data**

May 22, 2013 (KR) 30-2013-0026415

(51) **LOC (10) Cl.** **13-02**

(52) **U.S. Cl.**
USPC **D13/103**

(58) **Field of Classification Search**
USPC D13/102-104, 107-108, 110, 118-121,
D13/184, 199; 429/96-100, 163, 176

See application file for complete search history.

(56) **References Cited**

U.S. PATENT DOCUMENTS

| | | | | | | |
|--------------|----|---|---------|--------------------|-------|---------|
| D303,524 | S | * | 9/1989 | Siegner et al. | | D14/438 |
| D460,411 | S | * | 7/2002 | Wang | | D13/103 |
| D481,008 | S | * | 10/2003 | Wade | | D13/103 |
| D490,772 | S | * | 6/2004 | Chu | | D13/103 |
| D546,277 | S | * | 7/2007 | Andre et al. | | D13/103 |
| D614,125 | S | * | 4/2010 | Tinius | | D13/103 |
| D642,517 | S | * | 8/2011 | Inman et al. | | D13/103 |
| D660,788 | S | * | 5/2012 | Ziring et al. | | D13/103 |
| D682,777 | S | * | 5/2013 | Gupta et al. | | D13/103 |
| D682,778 | S | * | 5/2013 | Baumgartner et al. | | D13/103 |
| 2010/0221591 | A1 | * | 9/2010 | Ro kamp et al. | | 429/99 |

* cited by examiner

Primary Examiner — Rosemary K Tarcza
(74) *Attorney, Agent, or Firm* — Justin H. Kim; Maxon IP LLC

(57) **CLAIM**

The ornamental design for battery pack, as shown.

DESCRIPTION

FIG. 1 is a perspective view;
FIG. 2 is a front view thereof;
FIG. 3 is a rear side view thereof;
FIG. 4 is a left side view thereof;
FIG. 5 is a right side view thereof;
FIG. 6 is a top view thereof; and,
FIG. 7 is a bottom view of thereof.

1 Claim, 7 Drawing Sheets

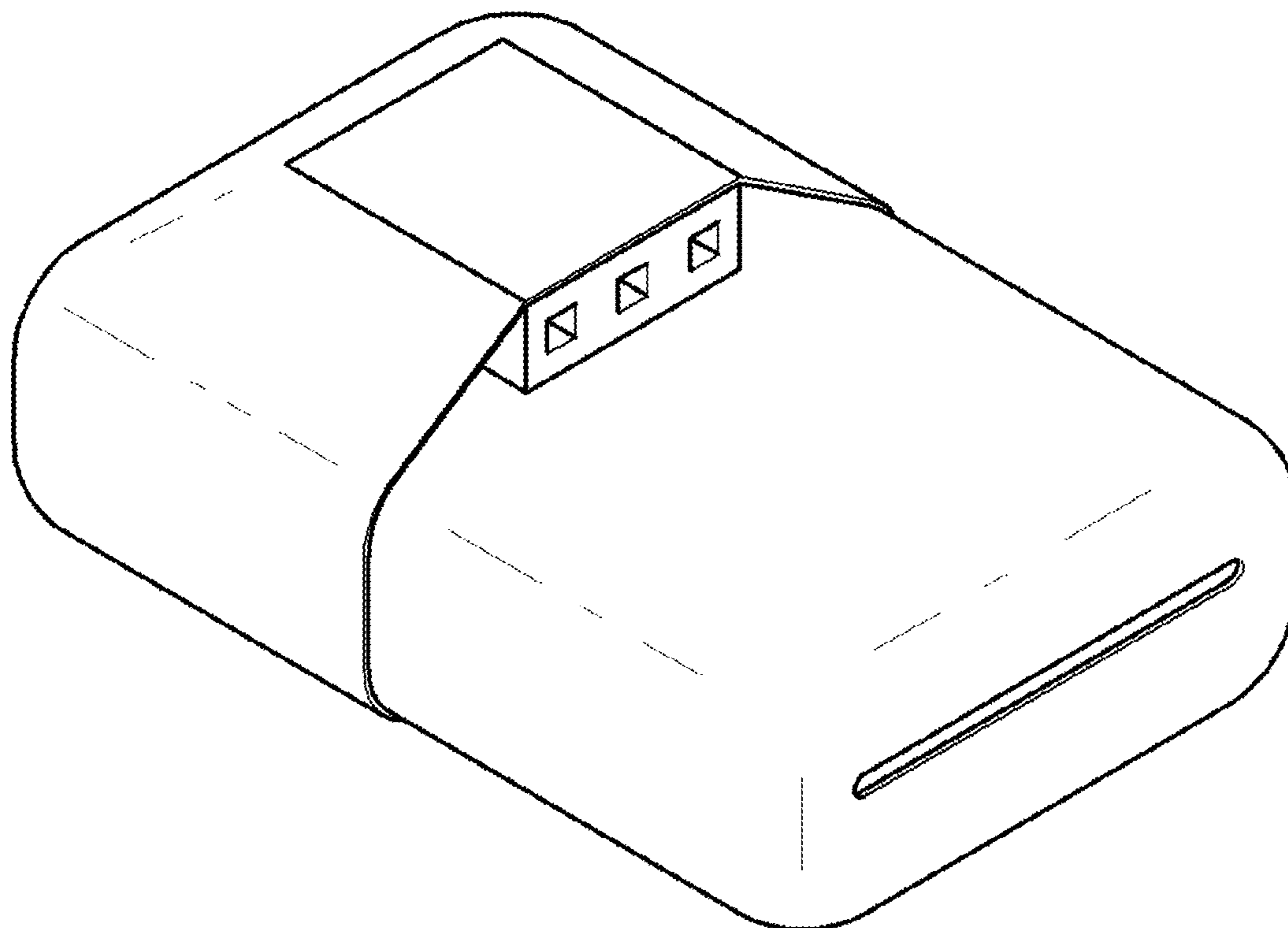


FIG. 1

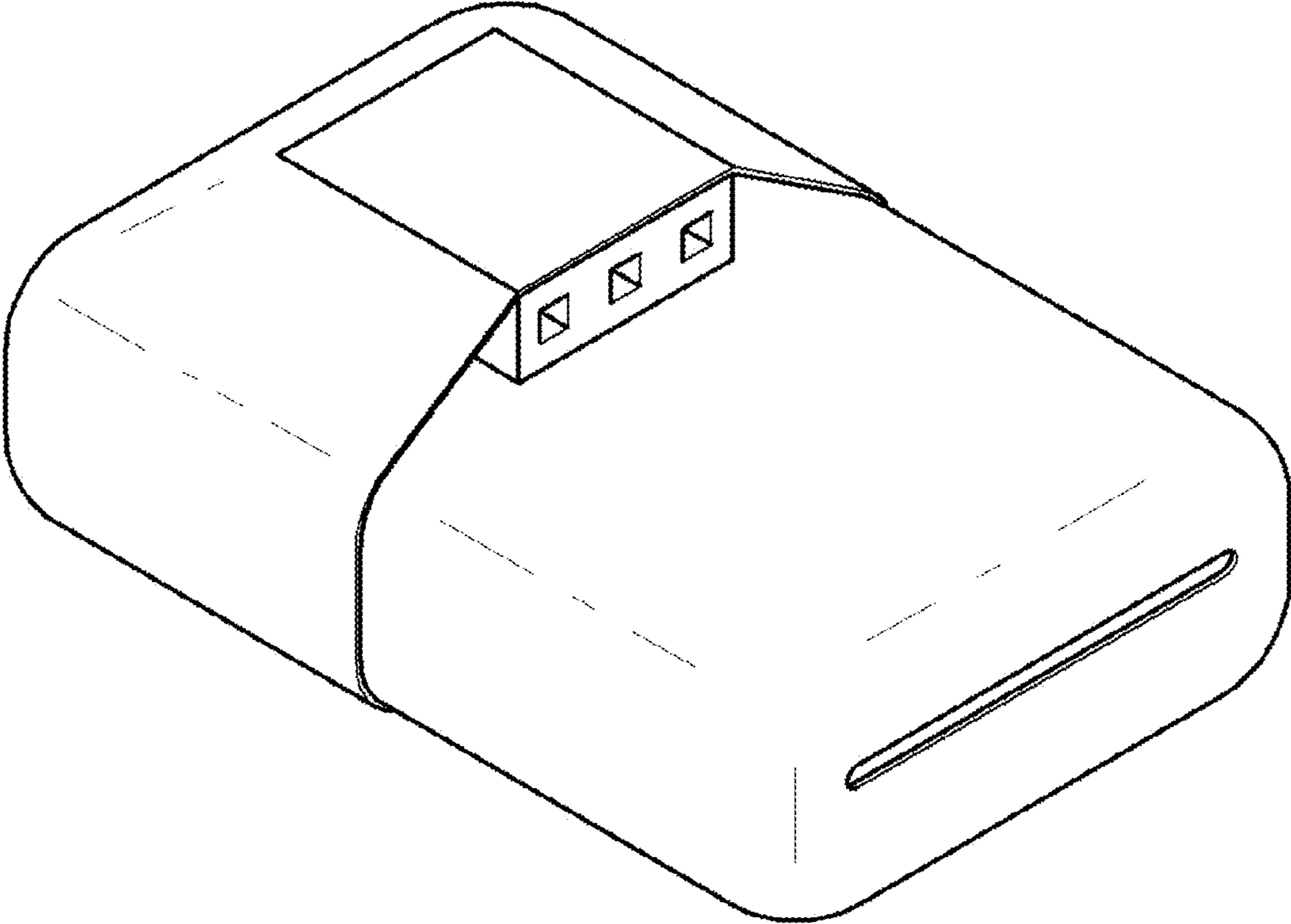


FIG. 2

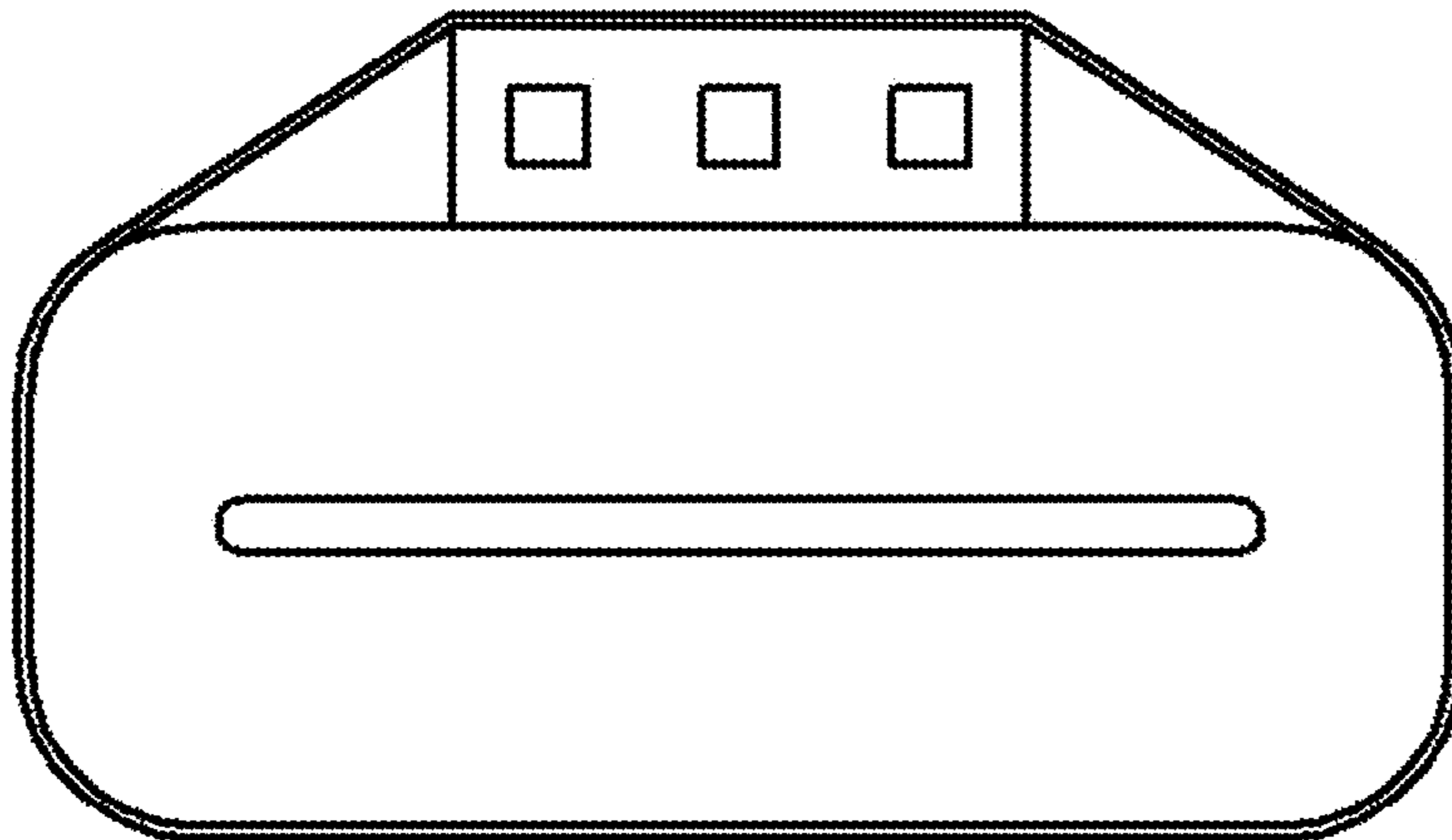


FIG. 3

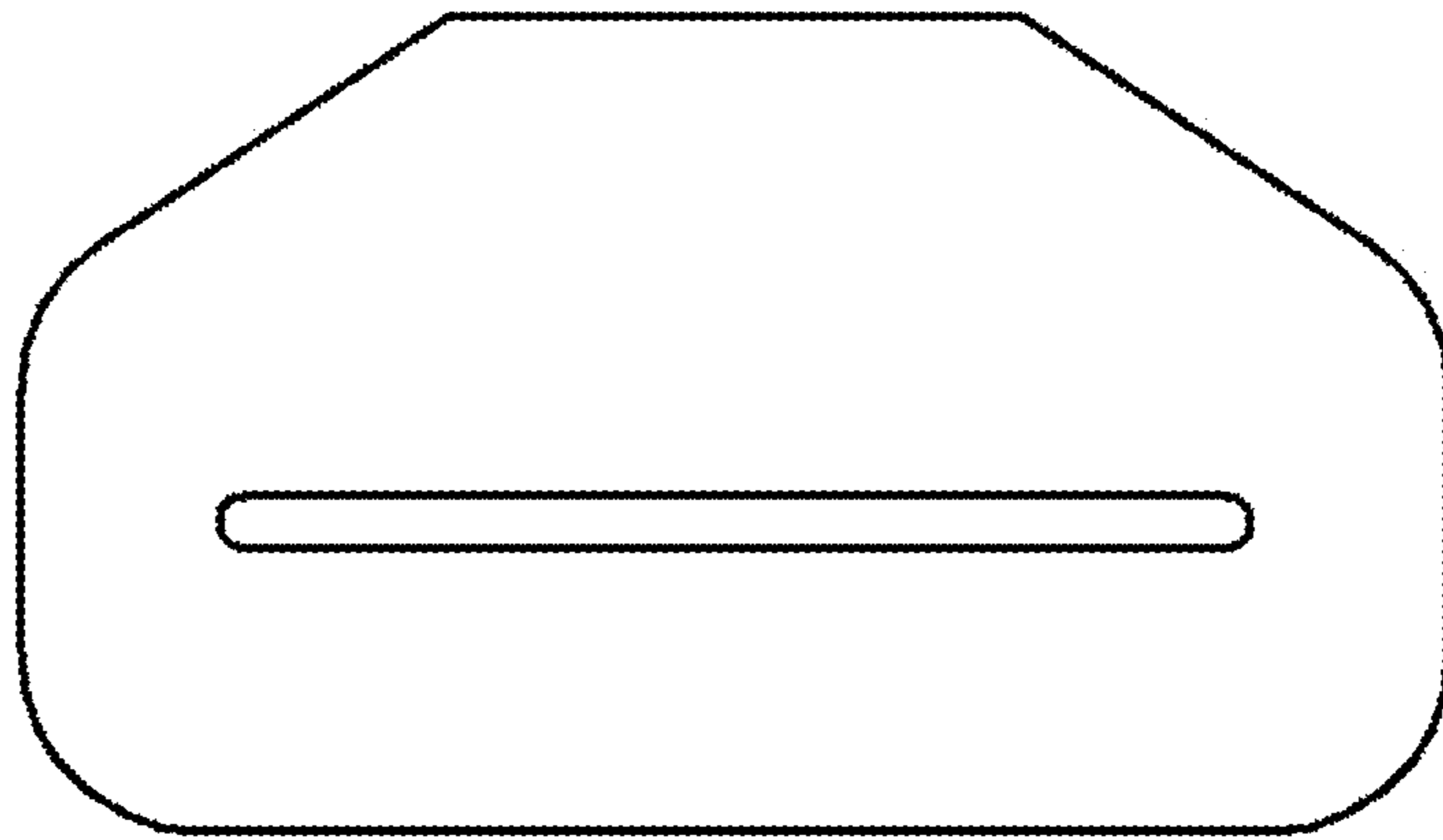


FIG. 4

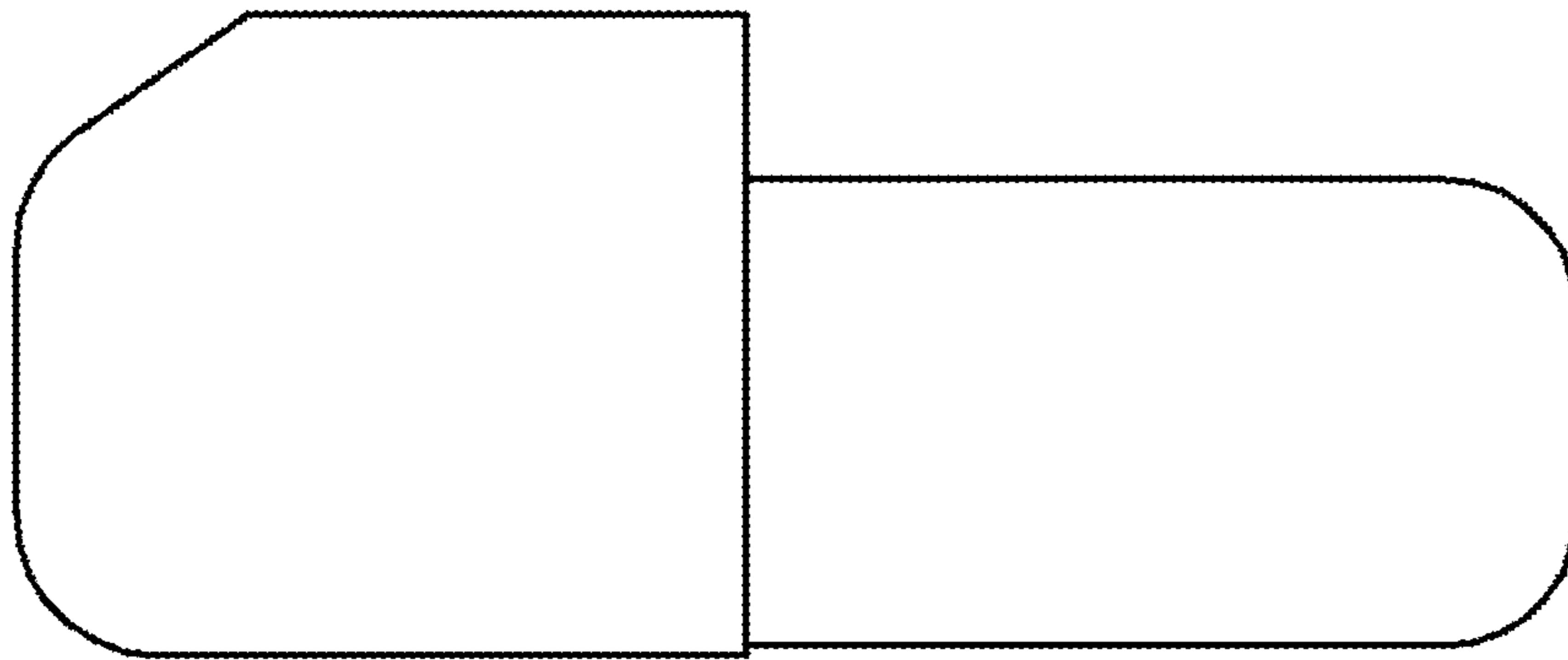


FIG. 5

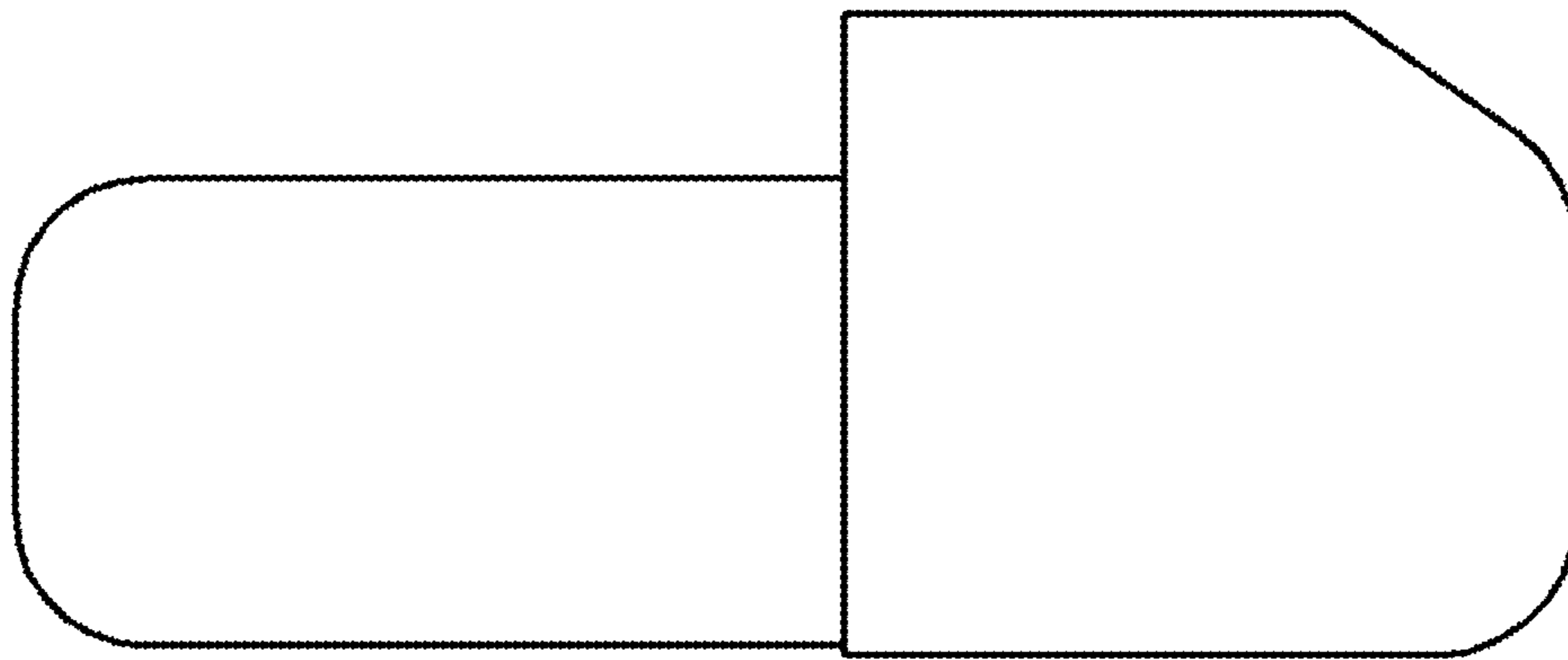


FIG. 6

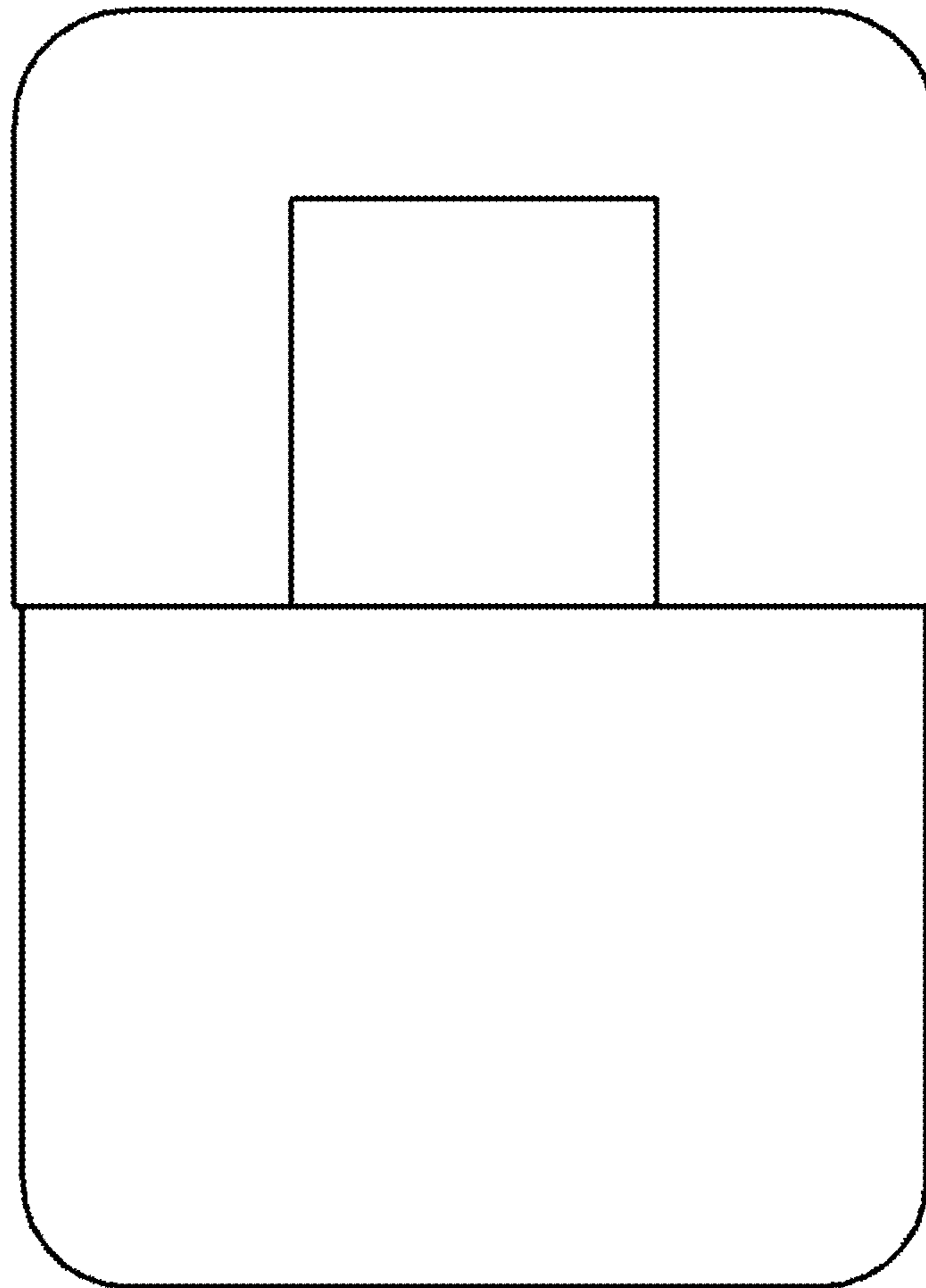


FIG. 7

