



US00D708570S

(12) **United States Design Patent**  
**Martin**

(10) **Patent No.:** **US D708,570 S**

(45) **Date of Patent:** **\*\* Jul. 8, 2014**

(54) **USB SOLAR CHARGER**

(71) Applicant: **Zachary Evan Martin**, Austin, TX (US)

(72) Inventor: **Zachary Evan Martin**, Austin, TX (US)

(\*\*) Term: **14 Years**

(21) Appl. No.: **29/450,882**

(22) Filed: **Mar. 25, 2013**

(51) **LOC (10) Cl.** ..... **13-02**

(52) **U.S. Cl.**  
USPC ..... **D13/102**

(58) **Field of Classification Search**  
USPC ..... D13/102, 101, 103, 107, 108, 110, 199;  
D14/140, 203.4, 483; D26/37, 38, 39,  
D26/41-44, 48, 49, 51; 136/206, 243, 244,  
136/245, 252; 320/101, 102, 114, 115, 120;  
362/157, 158, 159, 171, 183, 191, 208,  
362/257

See application file for complete search history.

(56) **References Cited**

**U.S. PATENT DOCUMENTS**

4,786,851	A *	11/1988	Fuji et al.	.....	320/101
5,522,943	A *	6/1996	Spencer et al.	.....	136/245
D382,535	S *	8/1997	Chiang	.....	D13/103
D391,921	S *	3/1998	Zimmer et al.	.....	D13/102

D454,837	S *	3/2002	Ibuki et al.	.....	D13/107
D475,149	S *	5/2003	Chun	.....	D26/37
D489,680	S *	5/2004	Stobart	.....	D13/107
D530,269	S *	10/2006	Fowler et al.	.....	D13/102
D571,492	S *	6/2008	Lee	.....	D26/37
D578,960	S *	10/2008	Fisher et al.	.....	D13/108
D580,078	S *	11/2008	Lee	.....	D26/37
D586,736	S *	2/2009	Fowler	.....	D13/102
D601,955	S *	10/2009	Ekmekdje	.....	D13/108
D617,264	S *	6/2010	Lau	.....	D13/102
D628,148	S *	11/2010	English et al.	.....	D13/102
D630,162	S *	1/2011	Bullen	.....	D13/102
D643,363	S *	8/2011	Wigmore	.....	D13/102
2010/0109599	A1 *	5/2010	Lin et al.	.....	320/101

\* cited by examiner

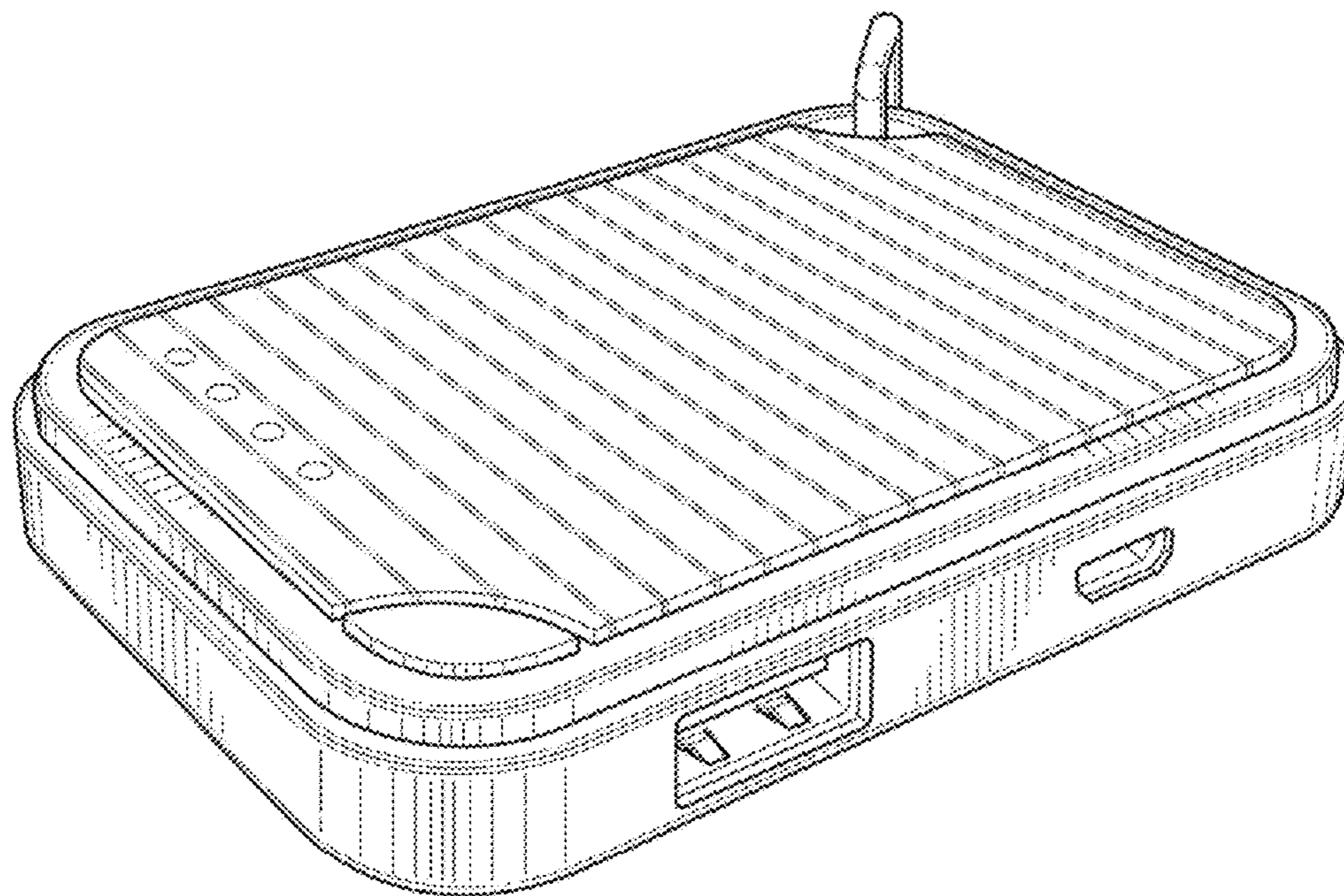
*Primary Examiner* — Derrick Holland

(57) **CLAIM**  
The ornamental design for a USB solar charger, as shown and described.

**DESCRIPTION**

FIG. 1 is a front perspective view of a USB solar charger showing my new design;  
FIG. 2 is a front elevational view thereof;  
FIG. 3 is a back elevational view thereof;  
FIG. 4 is a right side elevational view thereof;  
FIG. 5 is a left side elevational view thereof;  
FIG. 6 is a bottom plan view thereof; and,  
FIG. 7 is a top plan view thereof.

**1 Claim, 3 Drawing Sheets**



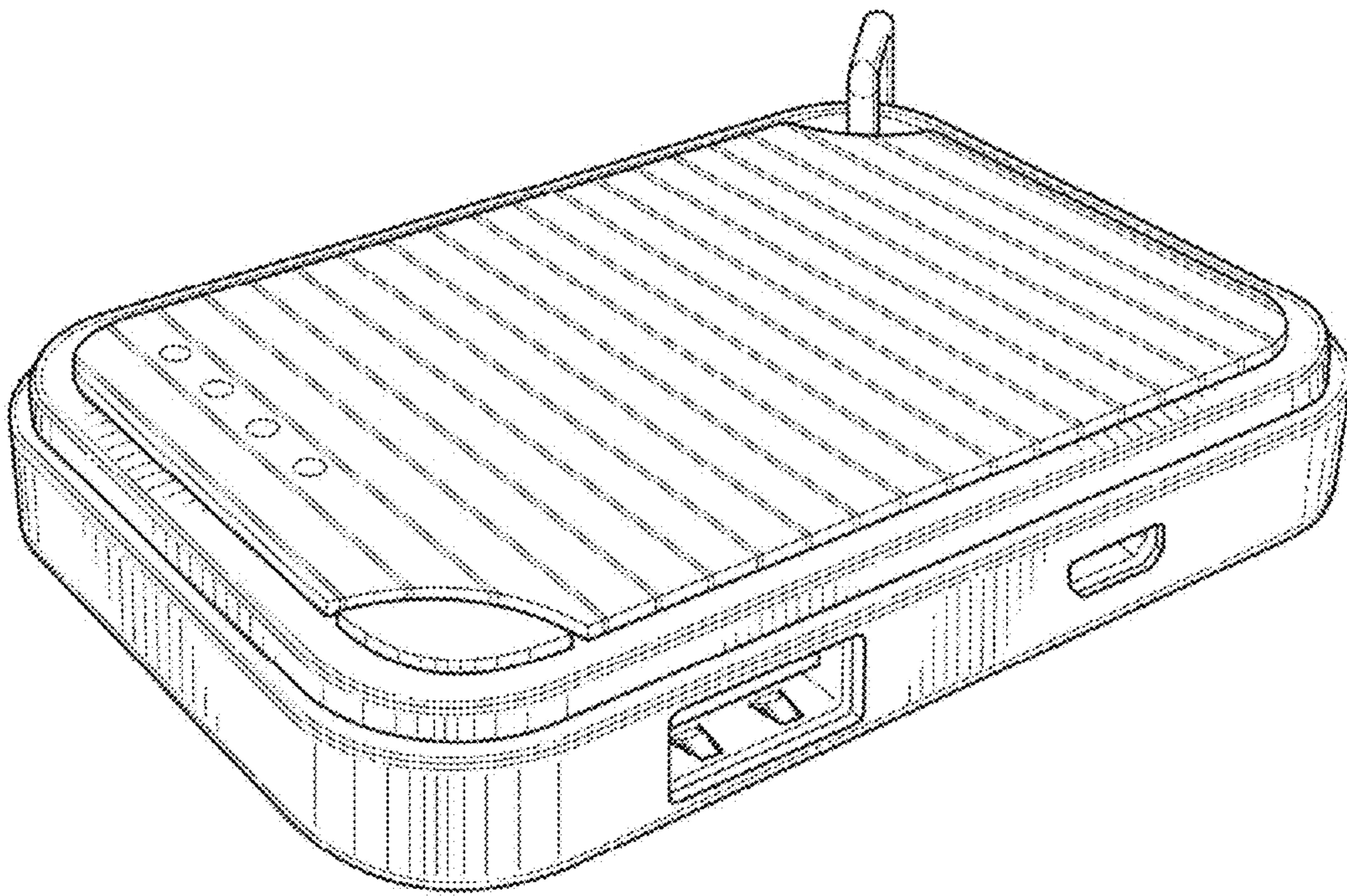


FIG. 1

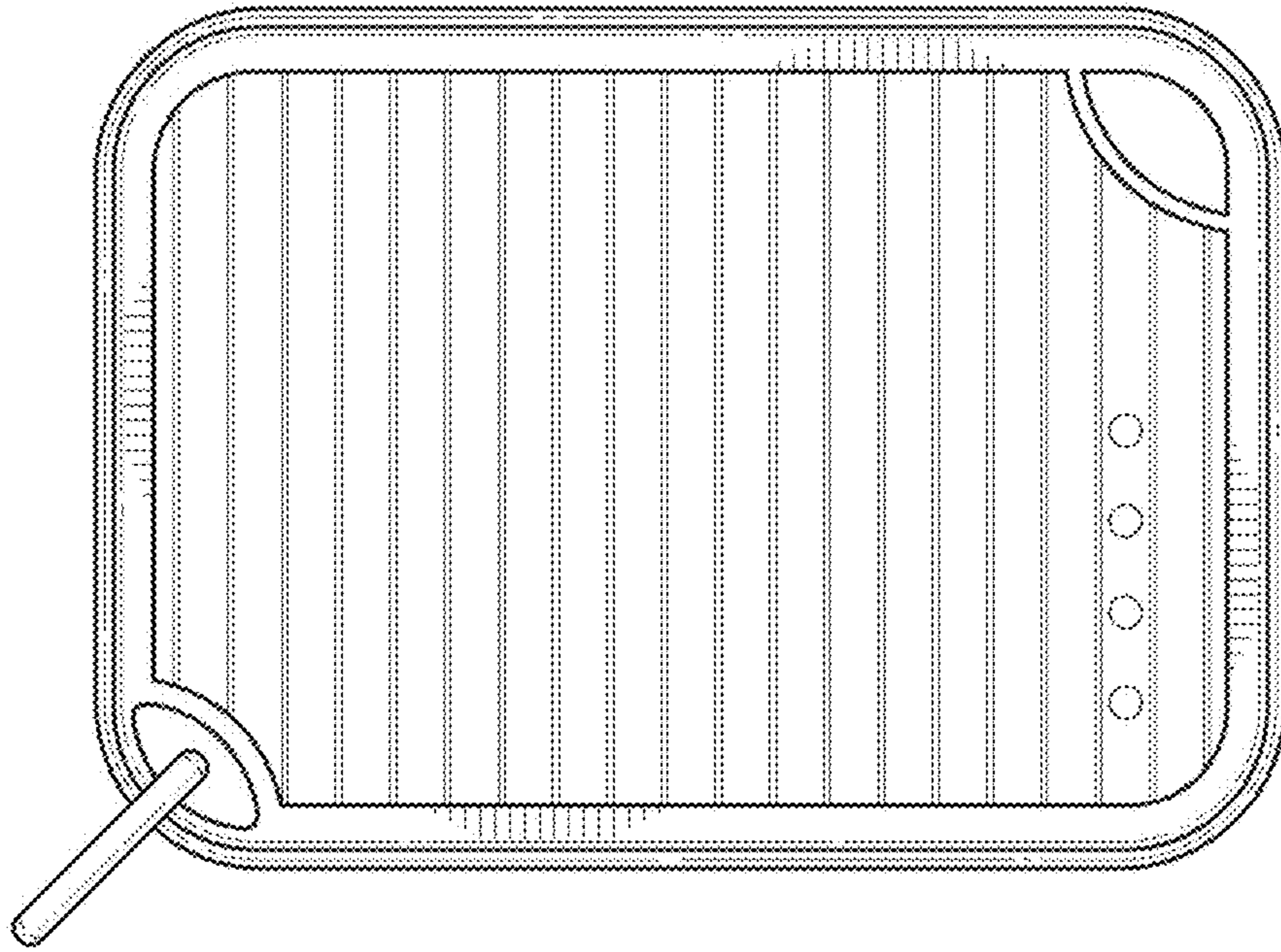


FIG. 2

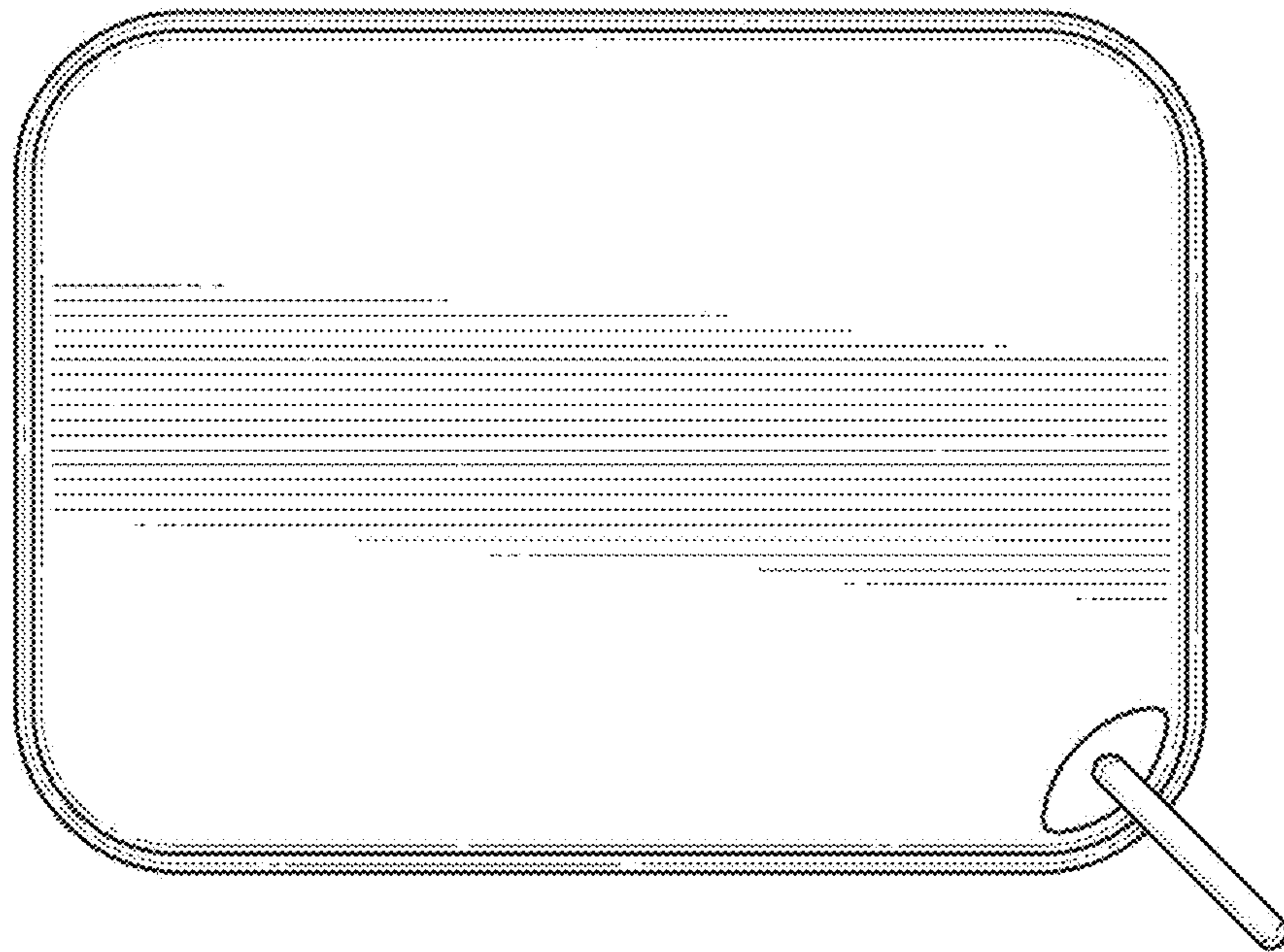
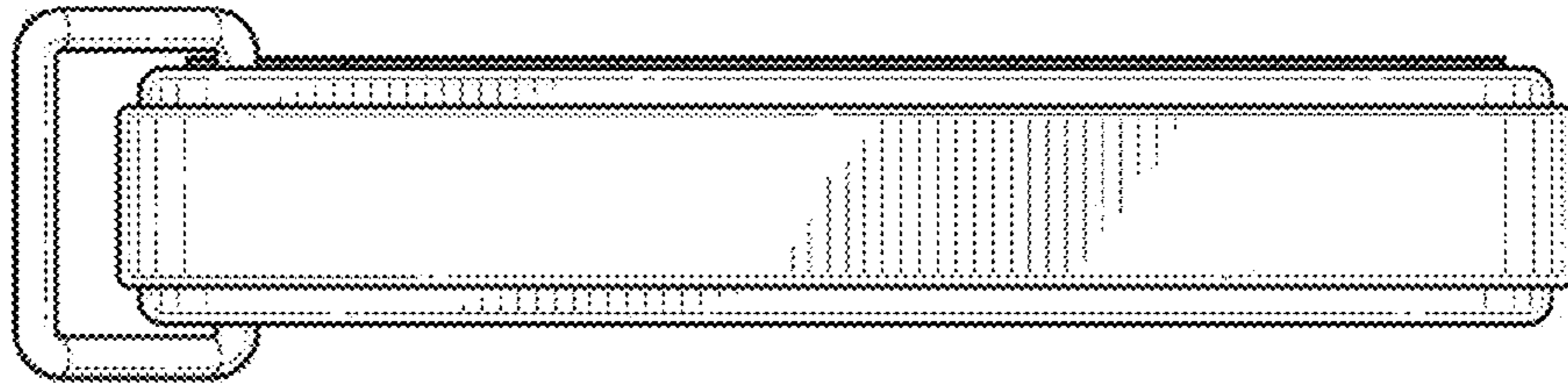
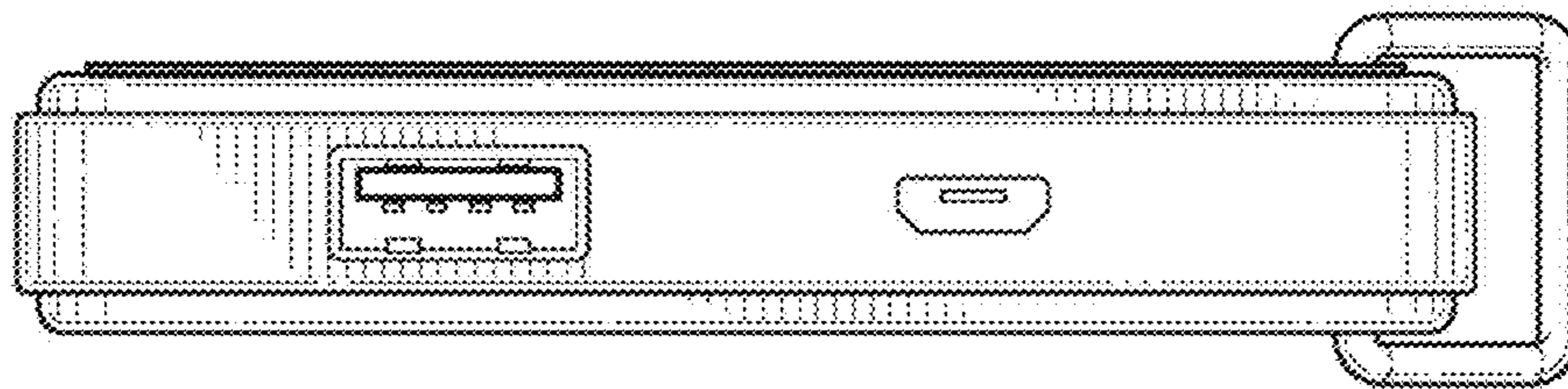


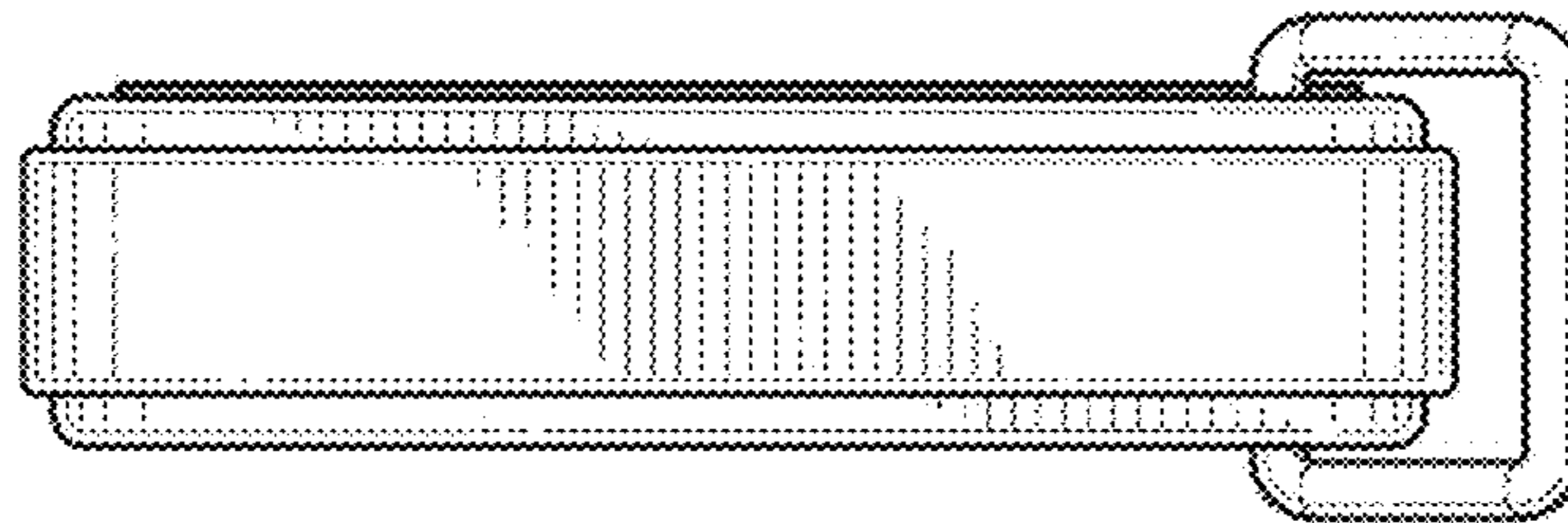
FIG. 3



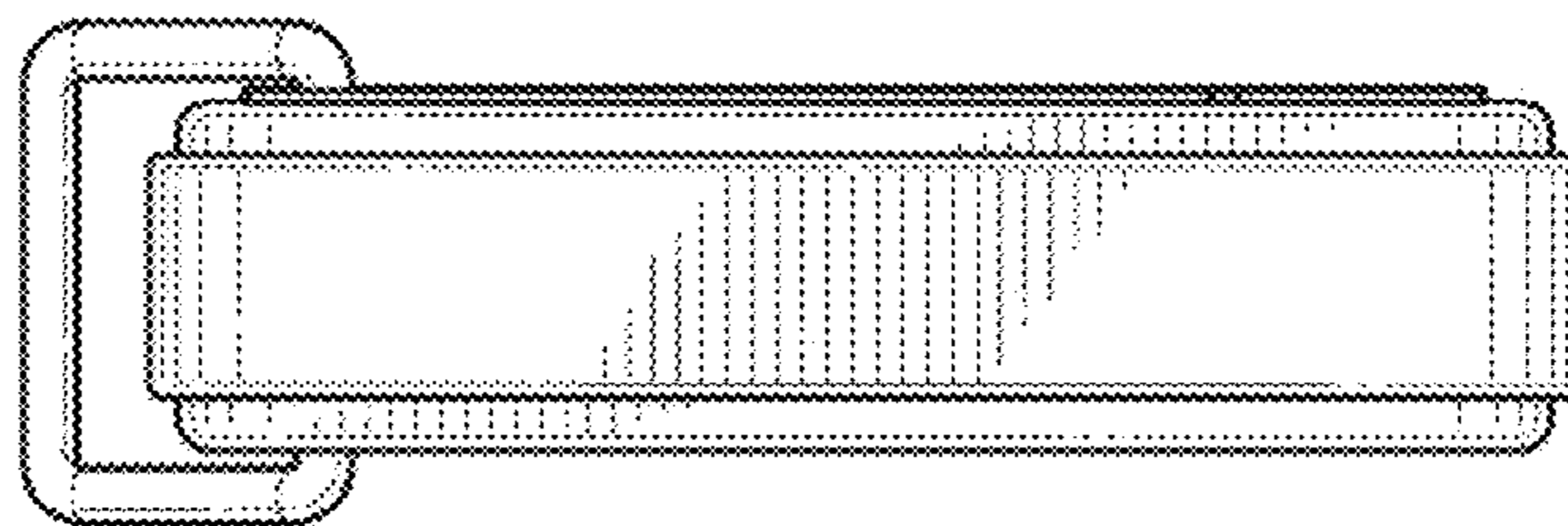
**FIG. 4**



**FIG. 5**



**FIG. 6**



**FIG. 7**