



US00D708568S

(12) **United States Design Patent**
Fujita et al.

(10) **Patent No.:** **US D708,568 S**
(45) **Date of Patent:** **** Jul. 8, 2014**

(54) **FUEL CELL**
(71) Applicant: **Panasonic Corporation**, Kadoma (JP)
(72) Inventors: **Hiroshi Fujita**, Osaka (JP); **Katsuhiro Kitade**, Osaka (JP)

D492,650 S * 7/2004 Nishi D13/110
D539,734 S * 4/2007 Brady et al. D13/110
D574,767 S * 8/2008 Hall et al. D13/101
D590,767 S * 4/2009 Brantley et al. D13/101
D623,135 S * 9/2010 Yasumoto et al. D13/122
D642,118 S * 7/2011 Uneo et al. D13/101
D657,309 S * 4/2012 Robinson et al. D13/107
2004/0013927 A1 * 1/2004 Lawrence et al. 429/34

(73) Assignee: **Panasonic Corporation**, Osaka (JP)

(**) Term: **14 Years**

(21) Appl. No.: **29/482,294**

(22) Filed: **Feb. 17, 2014**

(30) **Foreign Application Priority Data**

Aug. 29, 2013 (JP) 2013-019860

(51) **LOC (10) Cl.** **13-02**

(52) **U.S. Cl.**
USPC **D13/101**

(58) **Field of Classification Search**
USPC D13/101, 100, 110, 113, 118, 122, 184,
D13/199; D6/432, 437, 445, 446, 461, 477;
261/1, 19, 28, 29; 320/101; 429/400,
429/401-407, 411, 413, 462, 467, 153, 176,
429/177

See application file for complete search history.

(56) **References Cited**

U.S. PATENT DOCUMENTS

D404,020 S * 1/1999 Zimmerman D12/218
D431,524 S * 10/2000 Sugita et al. D13/103

FOREIGN PATENT DOCUMENTS

EM 000638374-0001 1/2007
EM 001831561-0001 5/2011

* cited by examiner

Primary Examiner — Derrick Holland

(74) *Attorney, Agent, or Firm* — Brinks Gilson & Lione

(57) **CLAIM**

We claim the ornamental design for a fuel cell, as shown and described.

DESCRIPTION

FIG. 1 is a front perspective view of a fuel cell of the present invention;

FIG. 2 is a front view thereof;

FIG. 3 is a rear view thereof;

FIG. 4 is a first side view thereof;

FIG. 5 is a second side view thereof;

FIG. 6 is a top view thereof; and,

FIG. 7 is a bottom view thereof.

The broken lines shown represent unclaimed subject matter and form no part of the claimed design.

1 Claim, 7 Drawing Sheets

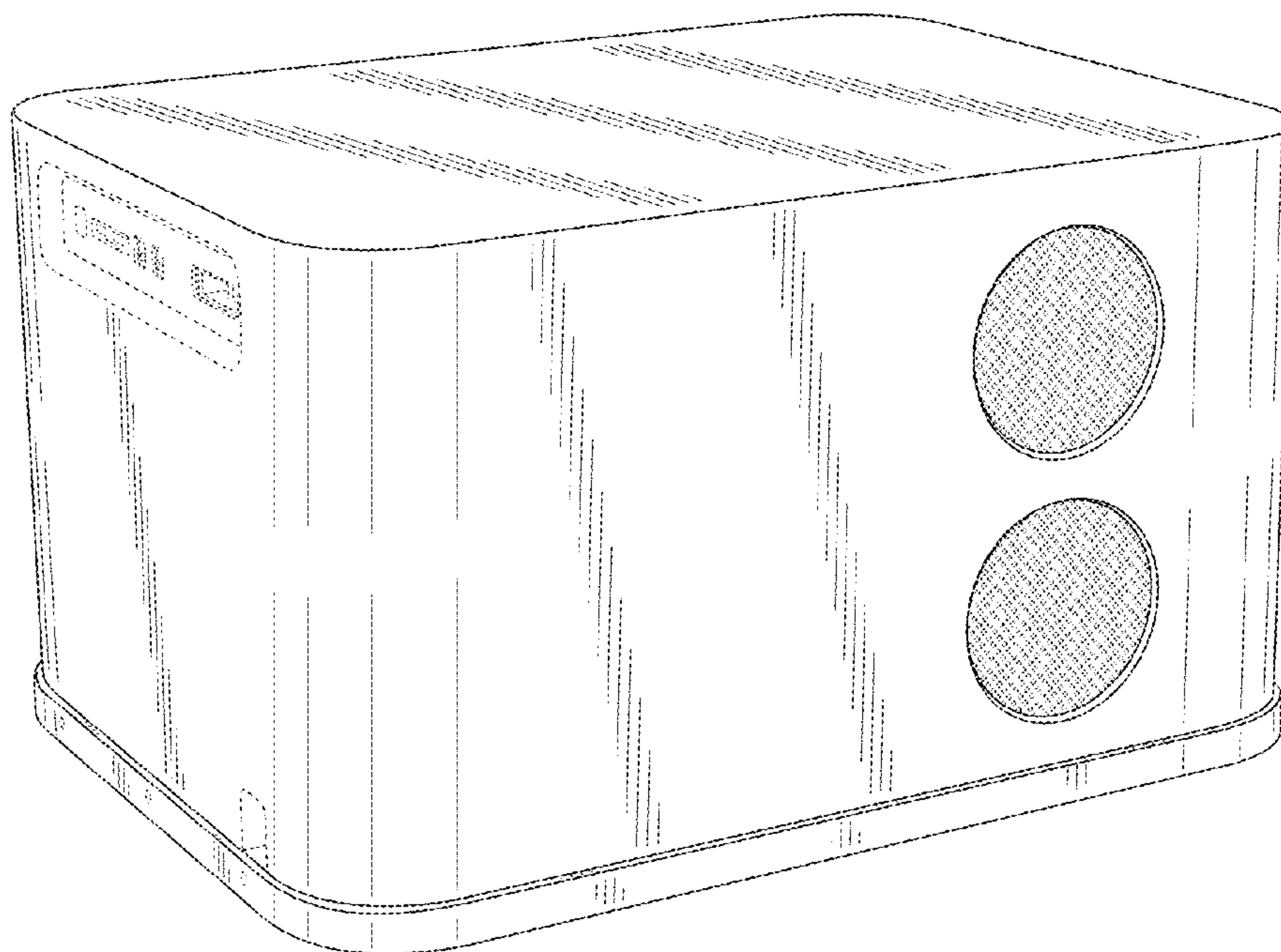


FIG.1

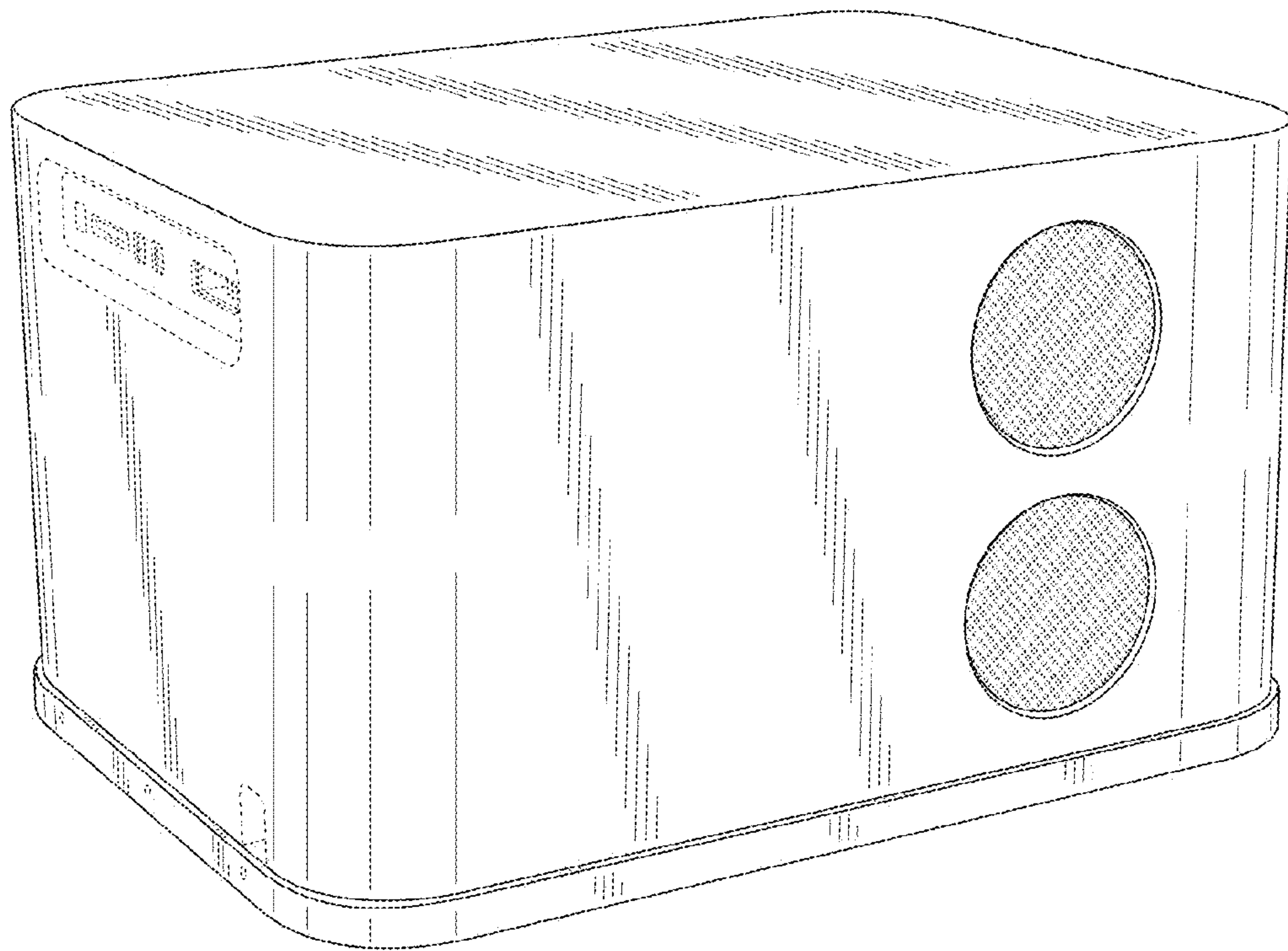


FIG.2

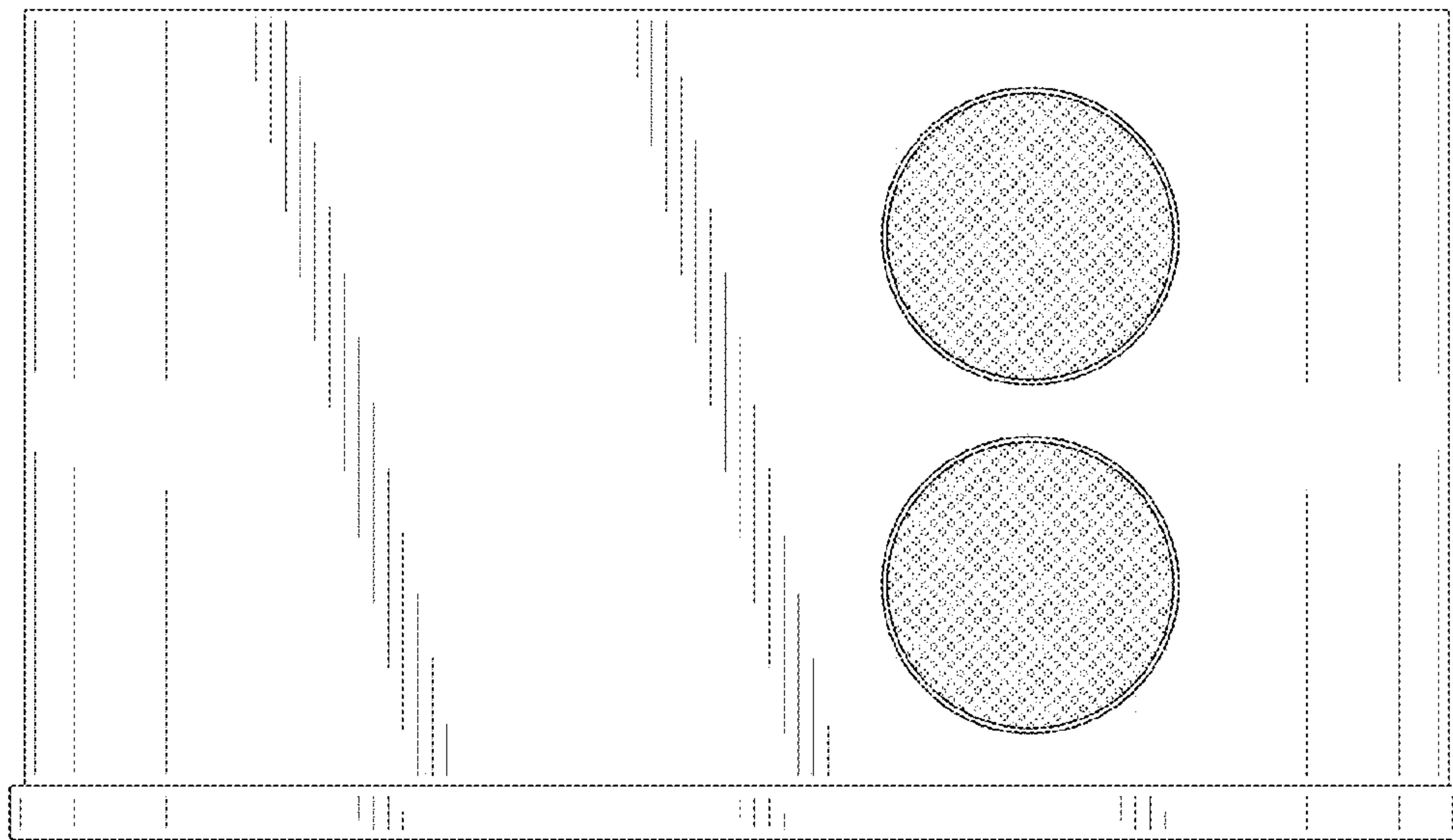


FIG.3

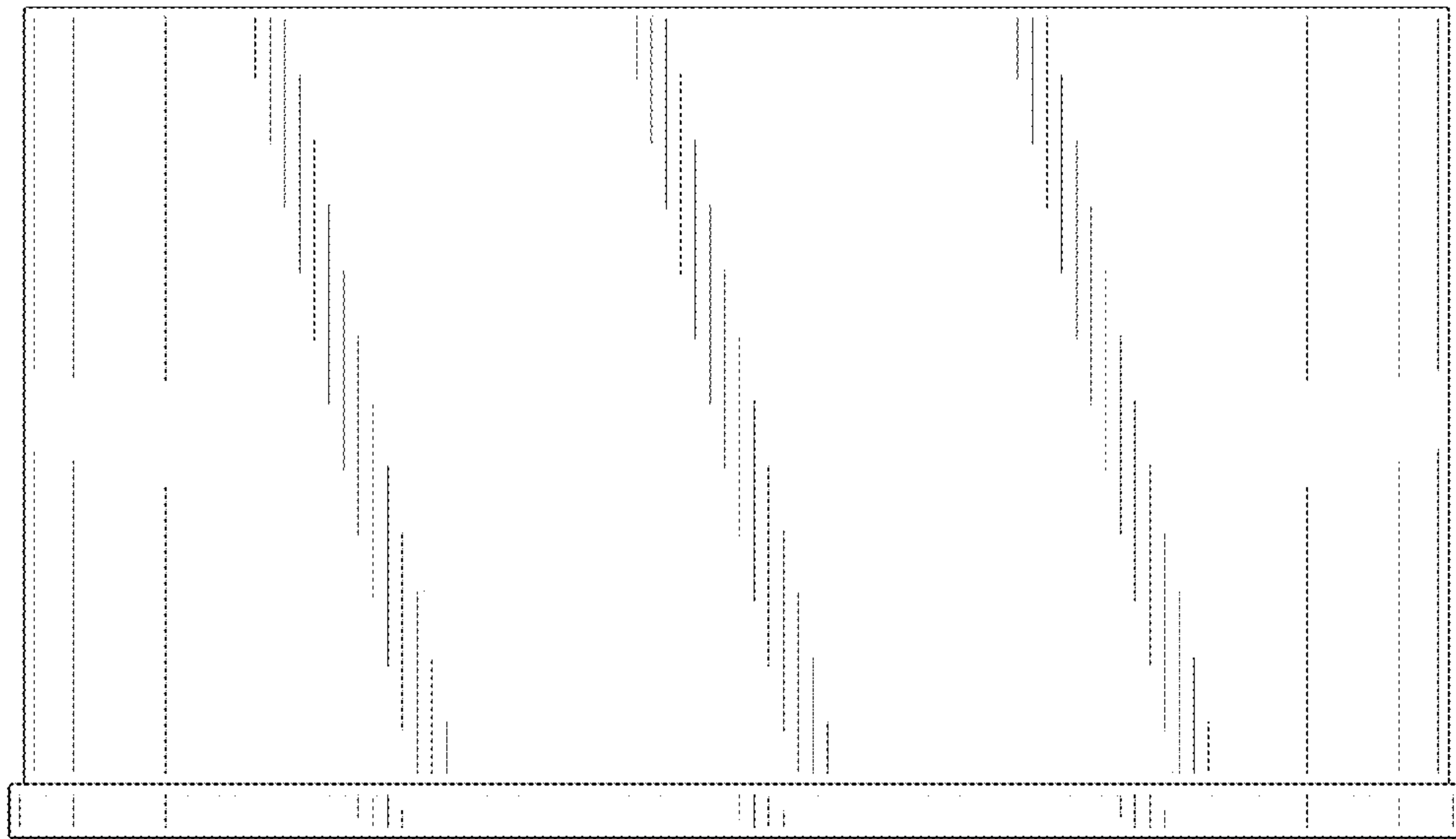


FIG.4

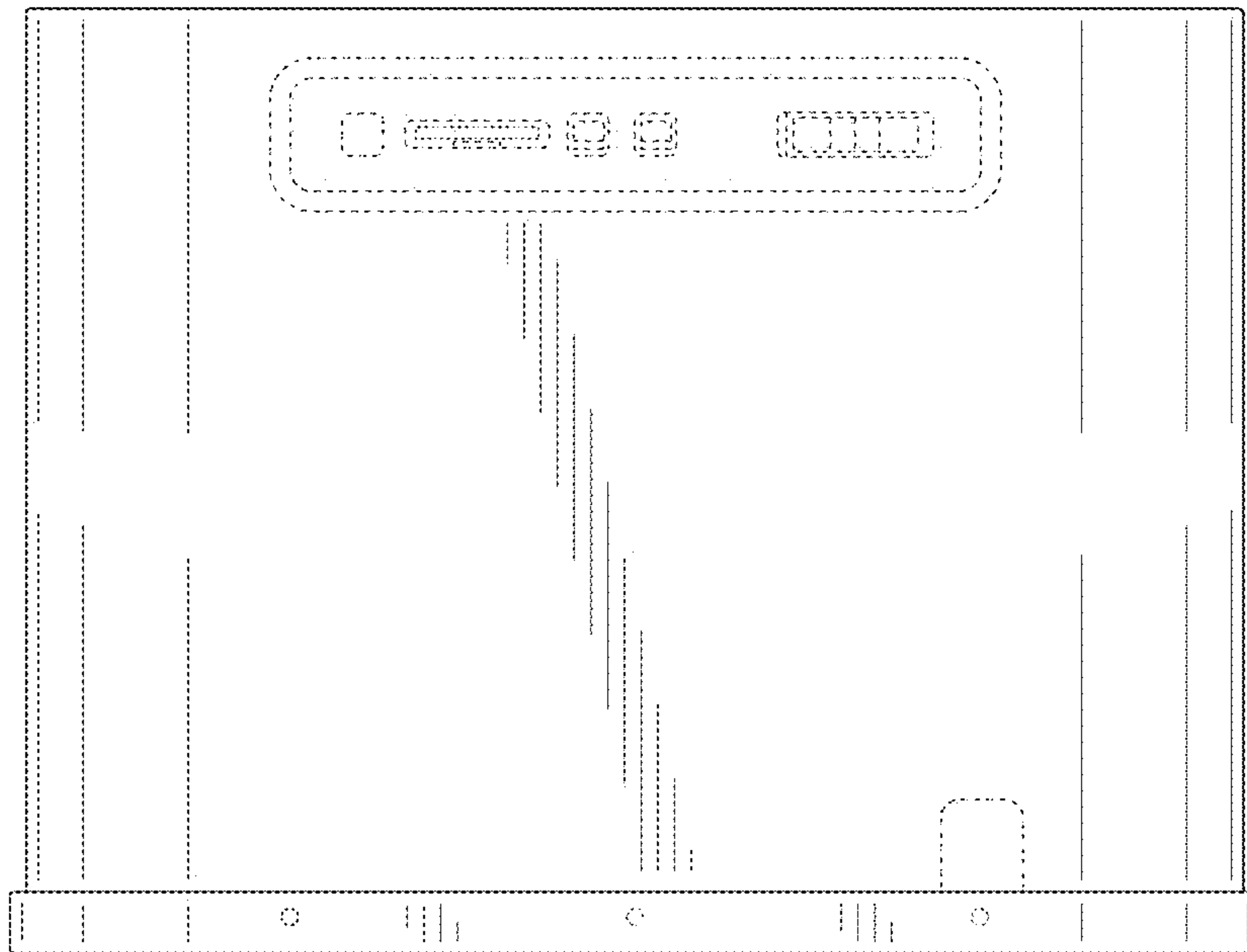


FIG.5

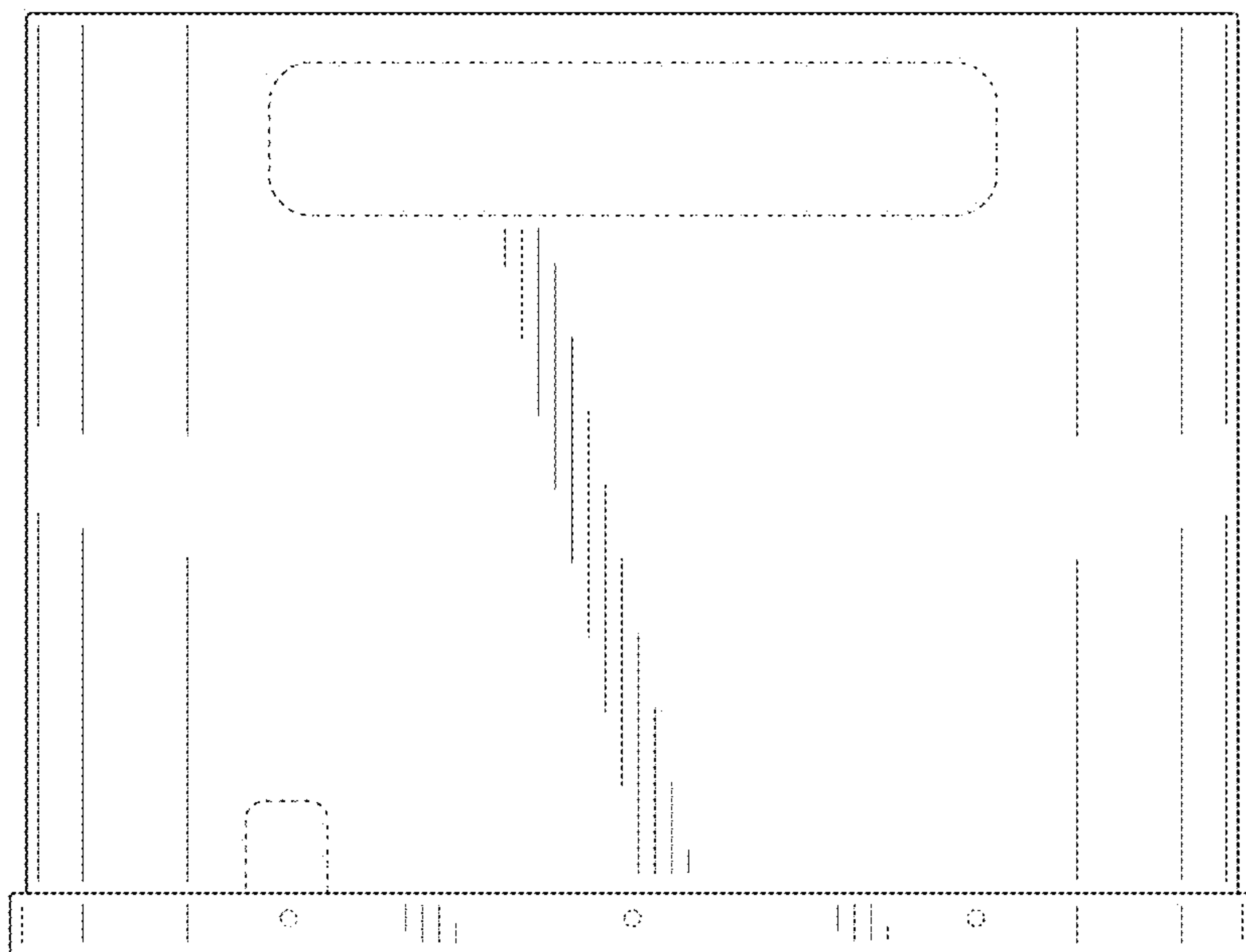


FIG.6

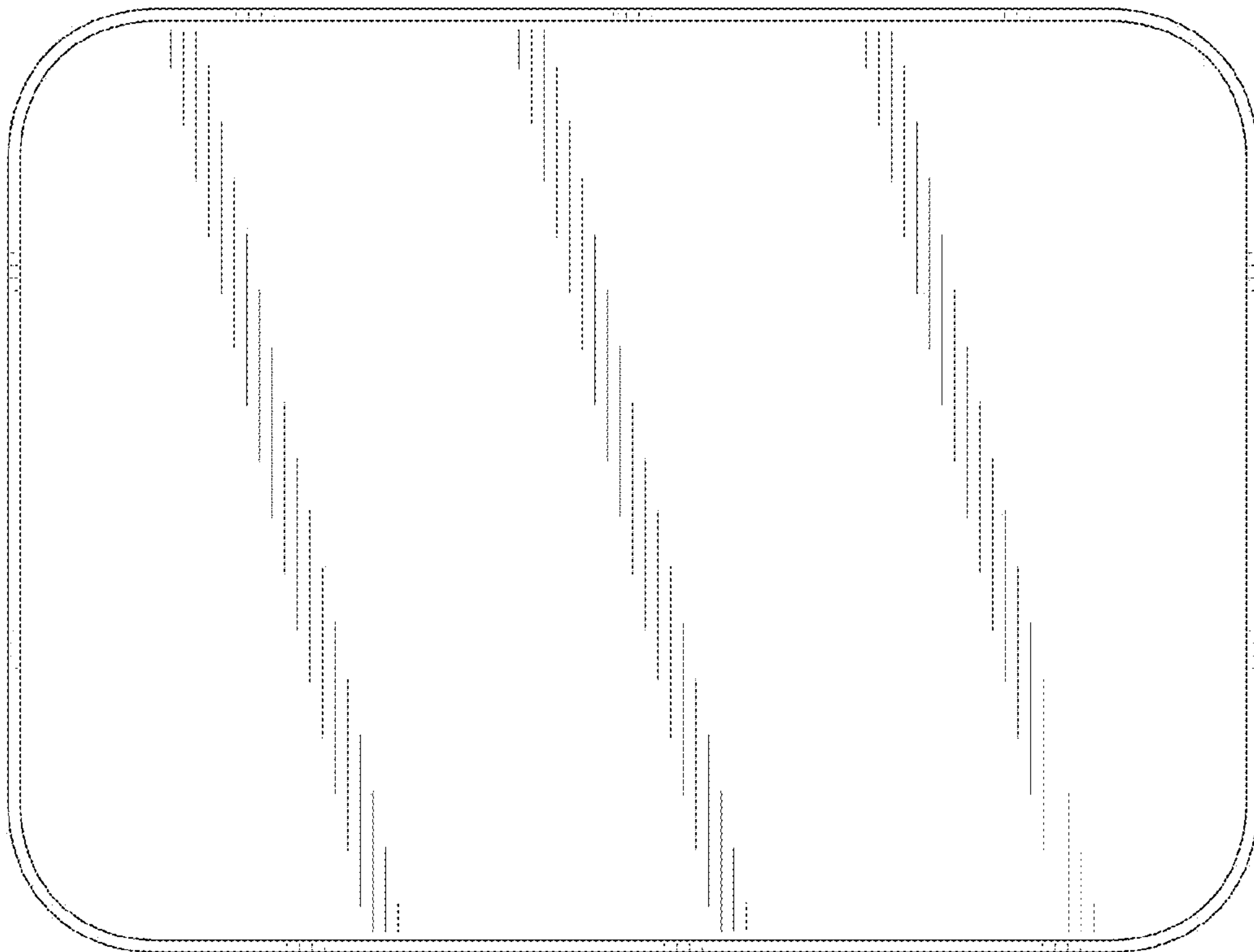


FIG. 7

