



US00D708565S

(12) **United States Design Patent**  
**Wang**

(10) **Patent No.:** **US D708,565 S**

(45) **Date of Patent:** **\*\* Jul. 8, 2014**

(54) **TIRE TREAD**

(71) Applicant: **Fortune Gold Enterprises Ltd, Mahe**  
(SC)

(72) Inventor: **Feng Wang, Shandong (CN)**

(73) Assignee: **Fortune Gold Enterprises Ltd., Mahe**  
(SC)

(\*\*) Term: **14 Years**

(21) Appl. No.: **29/478,645**

(22) Filed: **Jan. 7, 2014**

(51) **LOC (10) Cl.** ..... **12-15**

(52) **U.S. Cl.**  
USPC ..... **D12/544**

(58) **Field of Classification Search**  
USPC ..... D12/533-567, 571, 579, 900-901;  
152/209.1-209.9, 209.11-209.19,  
152/209.21-209.28, 455  
See application file for complete search history.

(56) **References Cited**

**U.S. PATENT DOCUMENTS**

D363,907 S	*	11/1995	Bonko	.....	D12/544
D553,558 S	*	10/2007	Sakakibara et al.	.....	D12/544
D555,578 S	*	11/2007	Reim	.....	D12/544
D591,219 S	*	4/2009	Ohigashi et al.	.....	D12/544

D605,579 S	*	12/2009	Lee et al.	.....	D12/544
D613,674 S	*	4/2010	Lo	.....	D12/544
D621,778 S	*	8/2010	Pringiers	.....	D12/544
D639,724 S	*	6/2011	Otsuji	.....	D12/544
D699,664 S	*	2/2014	Lo	.....	D12/544

\* cited by examiner

*Primary Examiner* — Stacia Cadmus

(74) *Attorney, Agent, or Firm* — Vidas, Arrett & Steinkraus

(57) **CLAIM**

The ornamental design for a tire tread, as shown and described.

**DESCRIPTION**

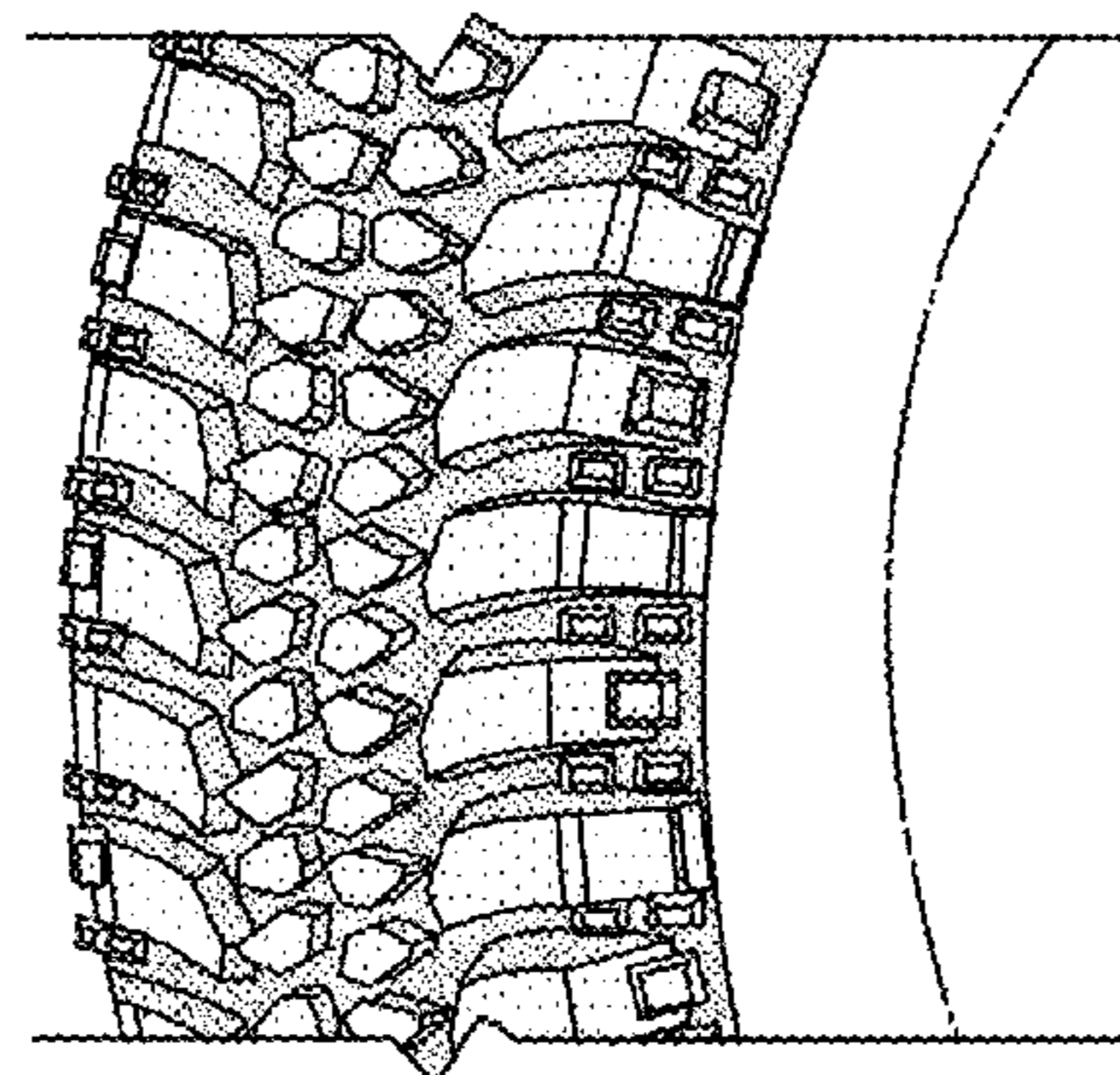
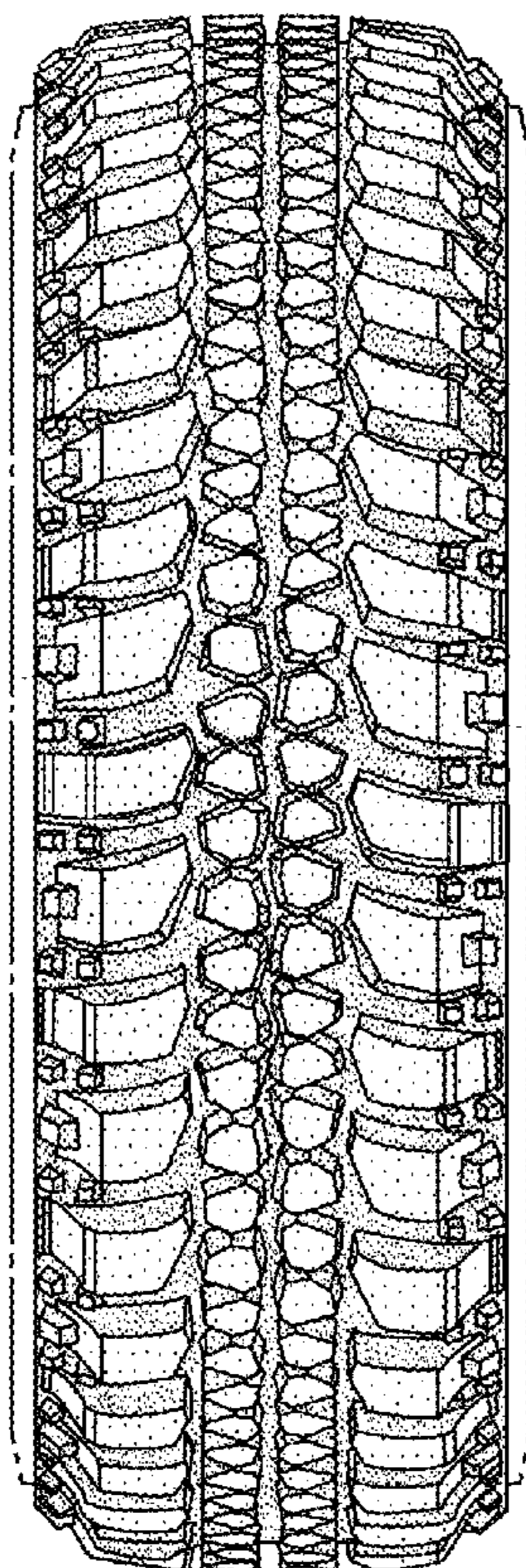
FIG. 1 is a front elevational view of the tire tread, it being understood that the tread pattern is repeated throughout the circumference of the tire tread, the opposite side being the same as that shown.

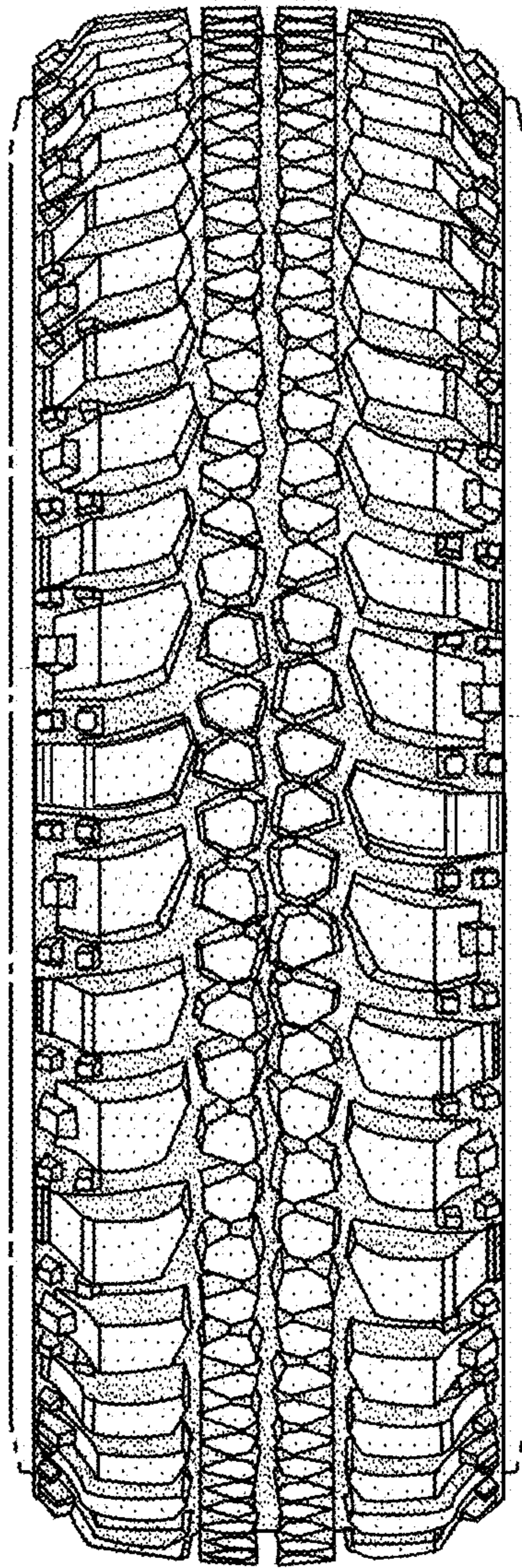
FIG. 2 is a fragmentary perspective view of the tire tread, it being understood that the tread pattern is repeated throughout the circumference of the tire tread shown on a reduced scale from FIG. 1; and,

FIG. 3 is a side elevational view of the right side of the tire tread shown on a reduced scale from FIG. 1, the opposite side being identical thereto.

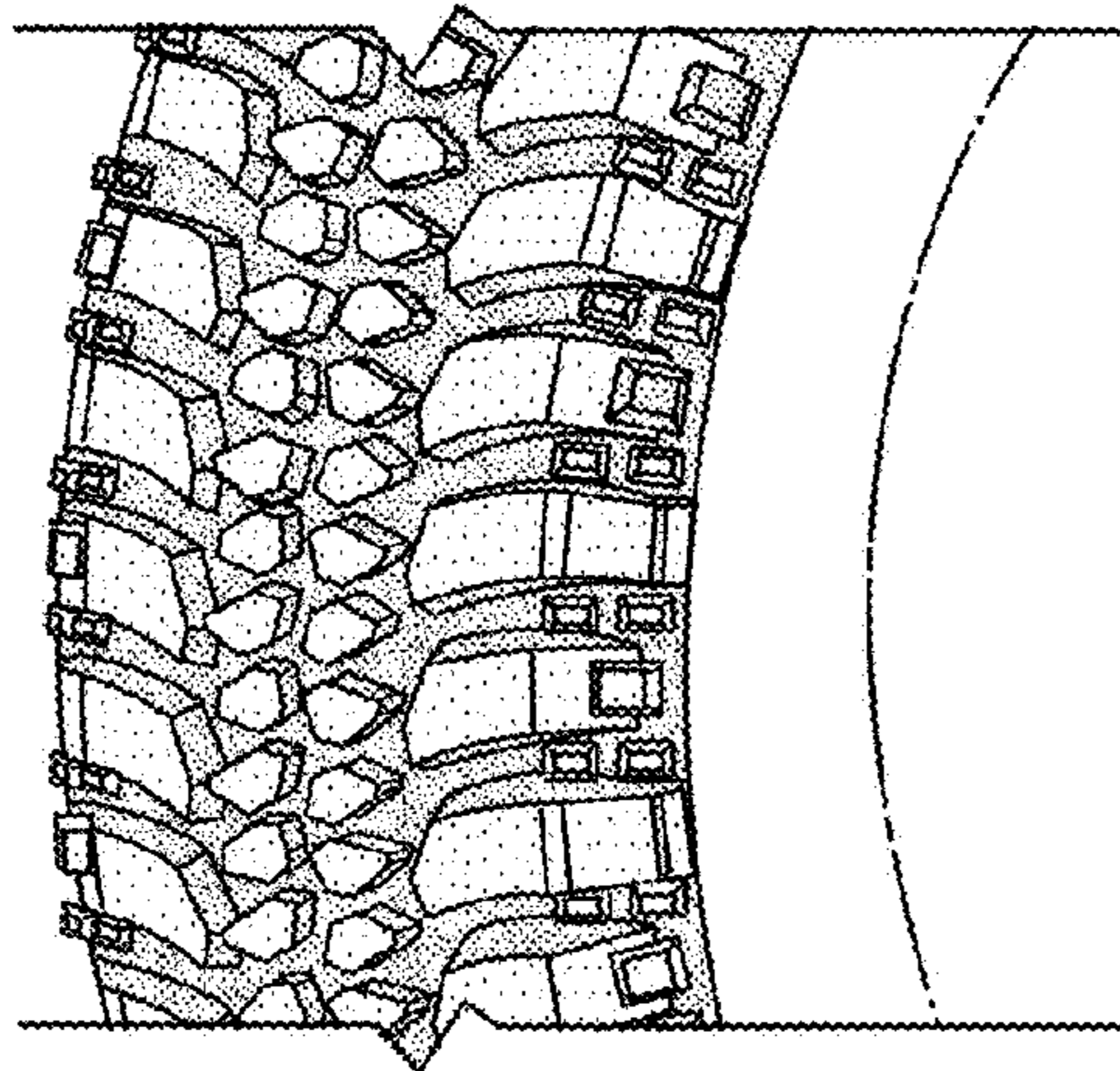
The broken lines in FIGS. 1-3 form the boundary of the claim, with the broken lines themselves forming no part of the claimed design.

**1 Claim, 2 Drawing Sheets**

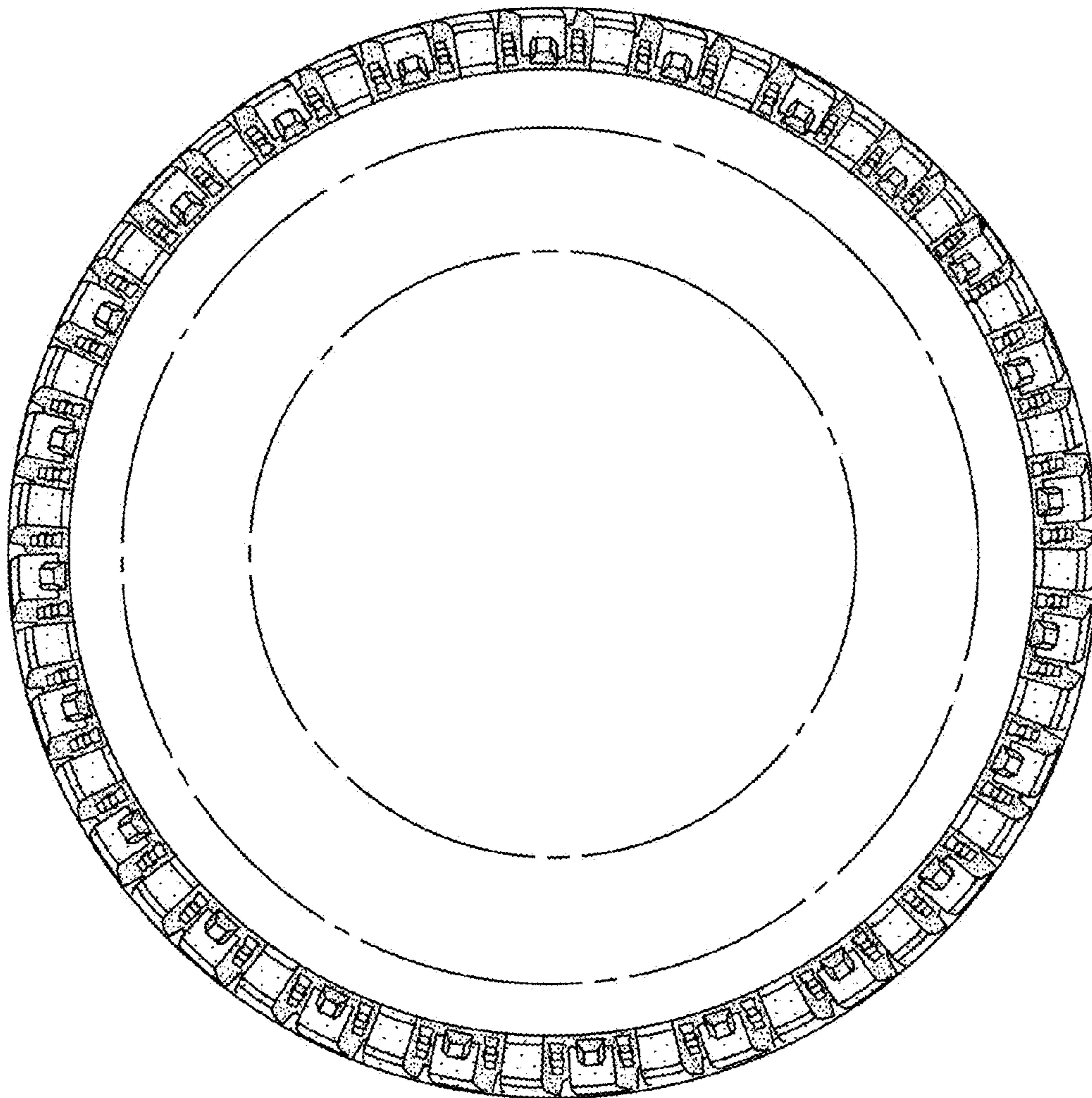




*Fig. 1*



*Fig. 2*



*Fig. 3*