



US00D708563S

(12) **United States Design Patent**
Colten

(10) **Patent No.:** **US D708,563 S**
(45) **Date of Patent:** **** Jul. 8, 2014**

(54) **HAND LAUNCHED FIXED WING AIRCRAFT**

(71) Applicant: **Rosemount Aerospace Inc.**, Burnsville, MN (US)

(72) Inventor: **Todd Michael Colten**, St. Paul, MN (US)

(73) Assignee: **Rosemount Aerospace Inc.**, Burnsville, MN (US)

(**) Term: **14 Years**

(21) Appl. No.: **29/460,946**

(22) Filed: **Jul. 17, 2013**

(51) **LOC (10) Cl.** **12-07**

(52) **U.S. Cl.**
USPC **D12/319; D12/344; D21/450**

(58) **Field of Classification Search**
USPC D12/319, 320, 325-330, 333, 337, 342, D12/344, 345; D21/430, 436, 437, D21/441-444, 447, 450, 451, 453; 244/2, 5, 244/6, 7 R, 7 A, 12.1-12.6, 13, 15, 17.11, 244/117 R, 119, 123.1, 22, 62, 63; 446/30-33, 36, 37, 55-57, 61, 63, 64, 446/230-232; 280/1.12, 1.21; 701/3, 14, 701/15, 16

See application file for complete search history.

(56) **References Cited**

U.S. PATENT DOCUMENTS

D132,103 S * 4/1942 McCoy D21/450
D149,447 S * 4/1948 Russell D21/450
4,261,533 A * 4/1981 Roberts et al. 244/7 R

D295,037 S * 4/1988 Stalony-Dobrzanski et al. D12/342
4,932,612 A * 6/1990 Blackwelder et al. 244/207
6,290,178 B1 * 9/2001 Wang 244/153 R
D466,858 S * 12/2002 Carroll et al. D12/337
D511,797 S * 11/2005 Tabor et al. D21/445
D530,659 S * 10/2006 Guering D12/319
D628,528 S * 12/2010 Cabezas Carrasco D12/319
D632,345 S * 2/2011 Yuen D21/450
2007/0029439 A1 * 2/2007 Merems et al. 244/7 R
2009/0008497 A1 * 1/2009 Corsiglia et al. 244/17.11

* cited by examiner

Primary Examiner — Caron D Veynar

Assistant Examiner — Martie K Holtje

(74) *Attorney, Agent, or Firm* — Edwards Wildman Palmer LLP; Scott D. Wofsy; Joshua L. Jones

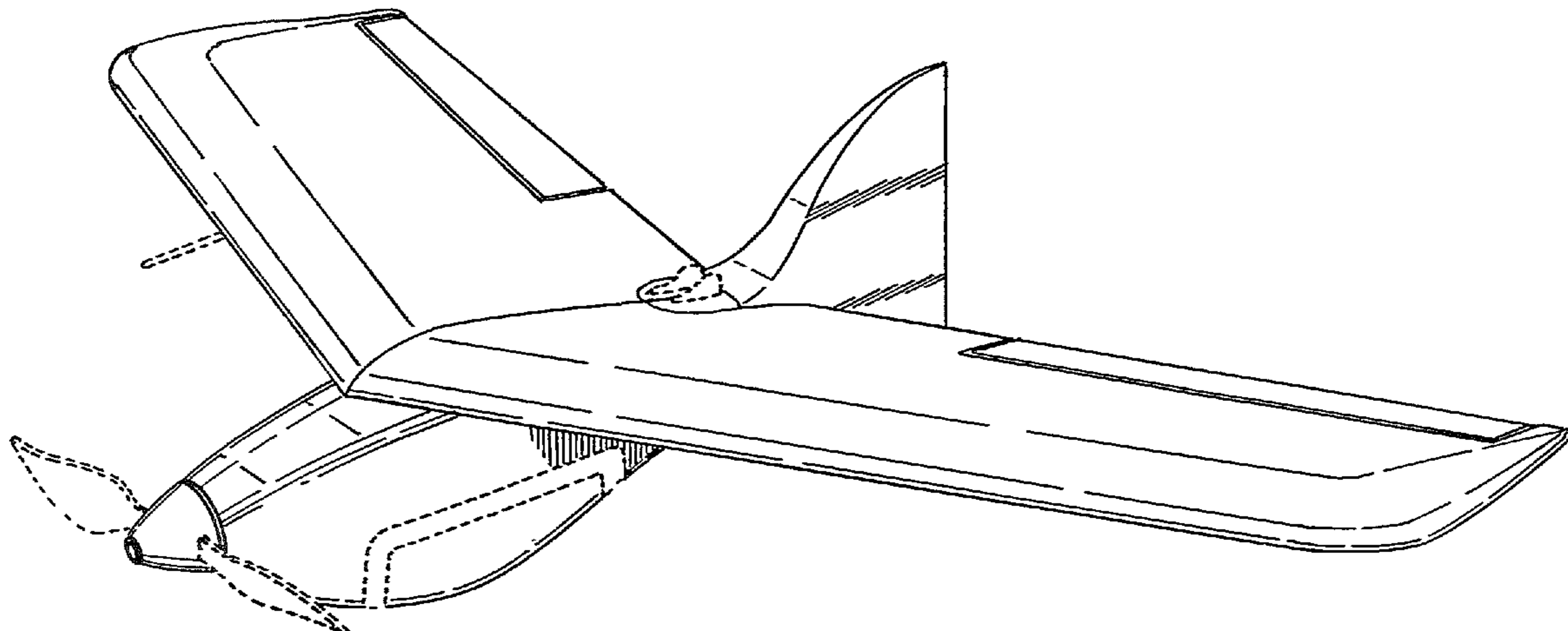
(57) **CLAIM**

The ornamental design for a hand launched fixed wing aircraft, as shown and described.

DESCRIPTION

FIG. 1 is a top right front perspective view of a hand launched fixed wing aircraft showing my new design;
FIG. 2 is a top plan view thereof;
FIG. 3 is a bottom plan view thereof;
FIG. 4 is a front elevational view thereof;
FIG. 5 is a rear elevational view thereof;
FIG. 6 is a right side elevational view thereof; and,
FIG. 7 is a left side elevational view thereof.
The structural features depicted by broken lines have been shown for the purpose of illustrating portions of the hand launched fixed wing aircraft that form no part of the claimed design.

1 Claim, 5 Drawing Sheets



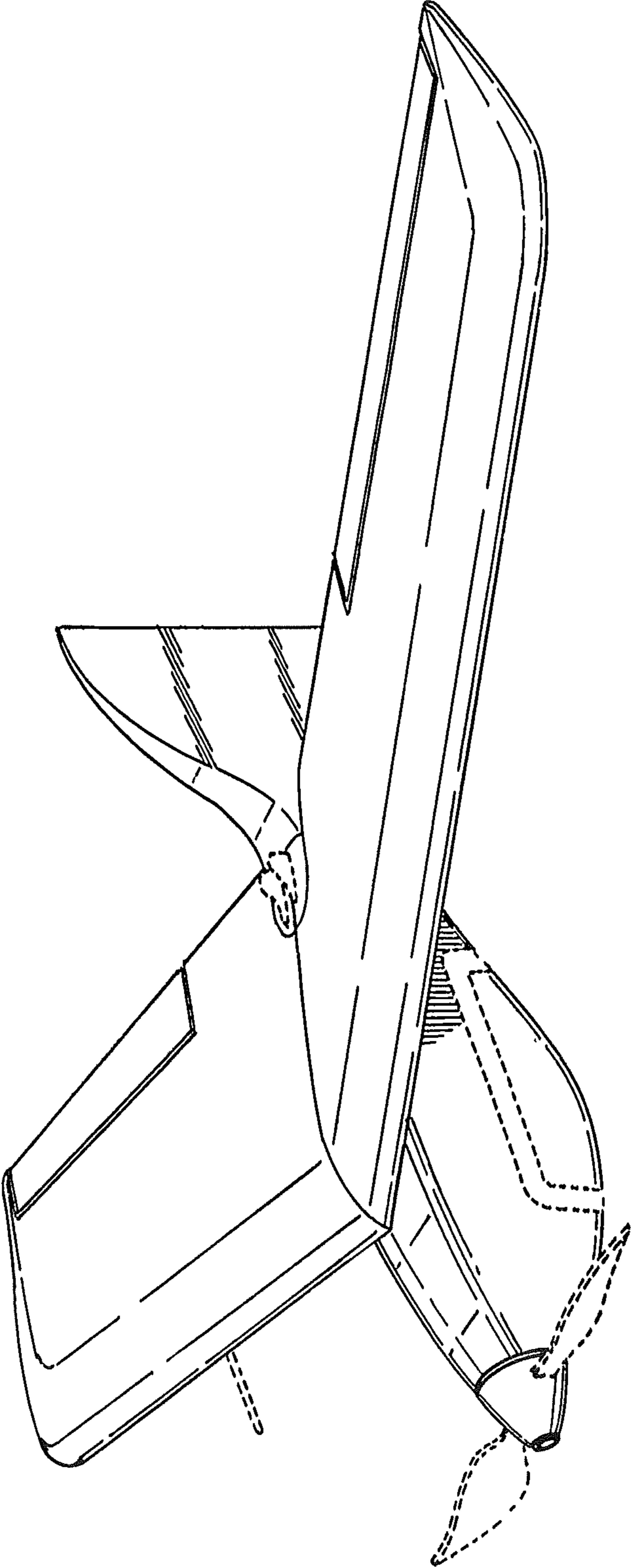


Fig. 1

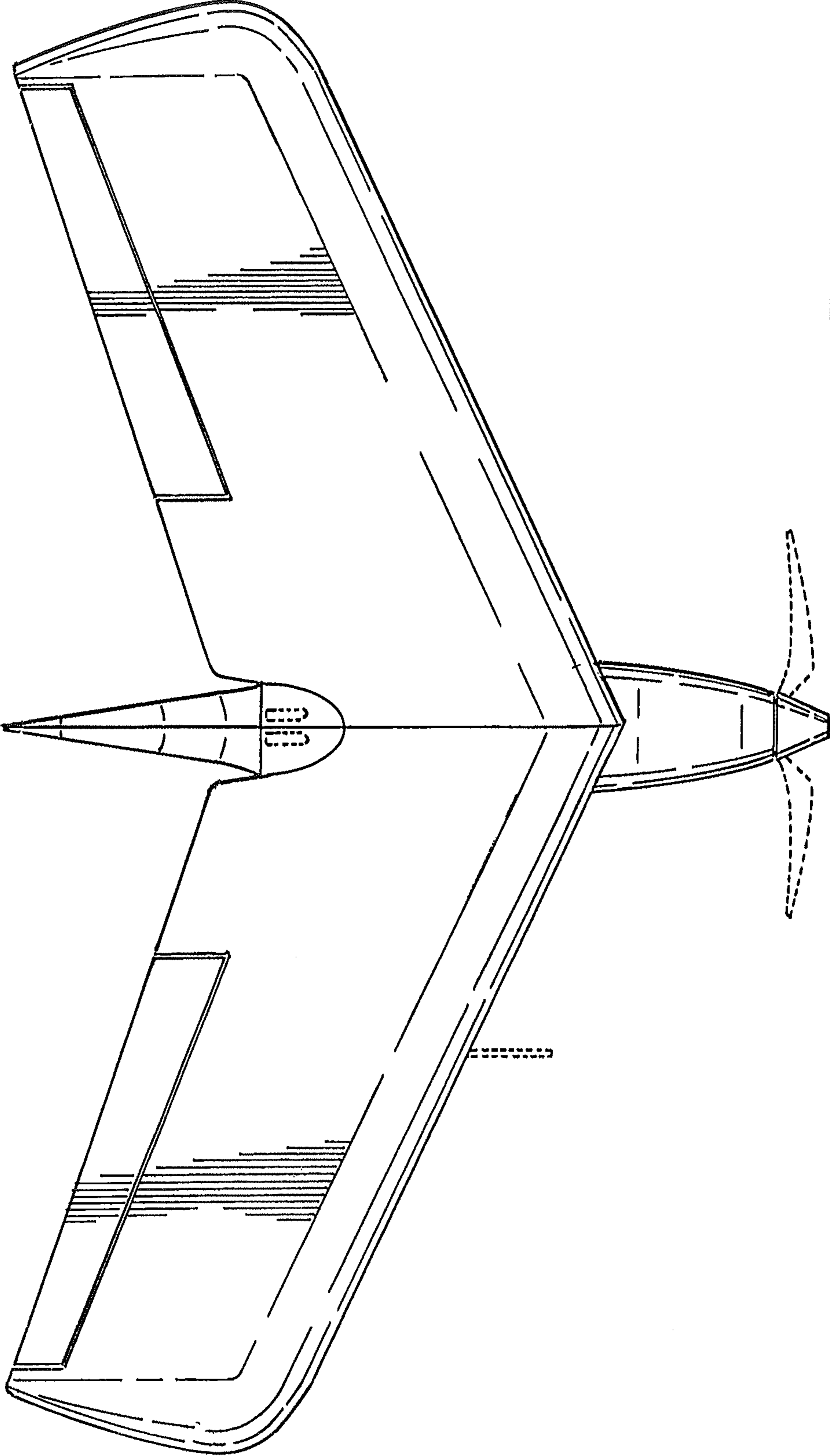


Fig. 2

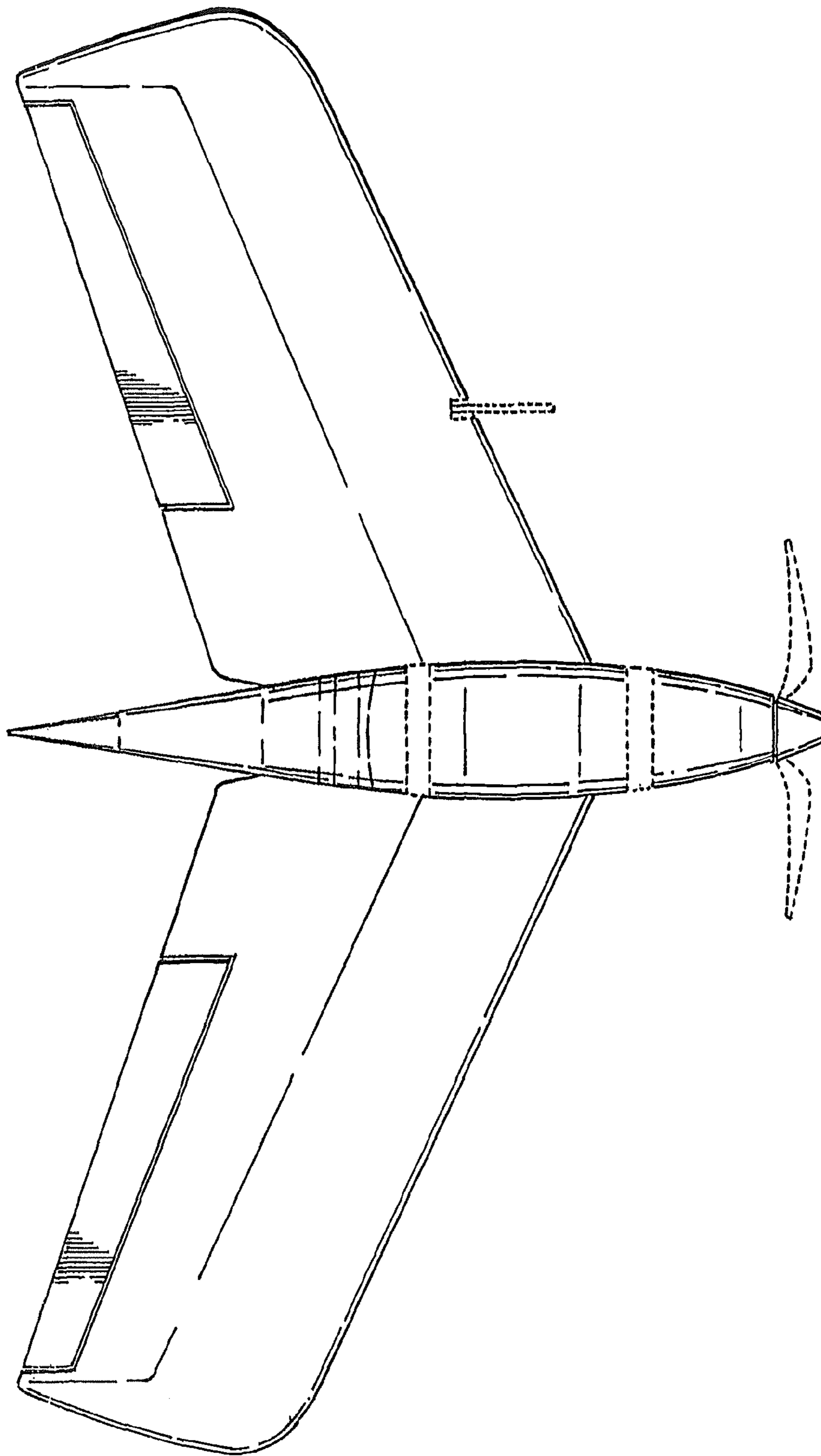


Fig. 3

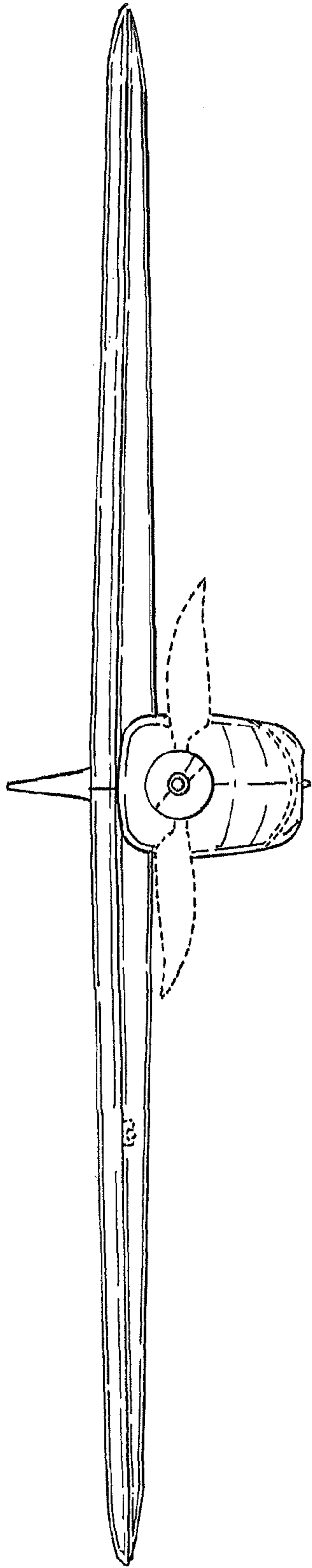


Fig. 4

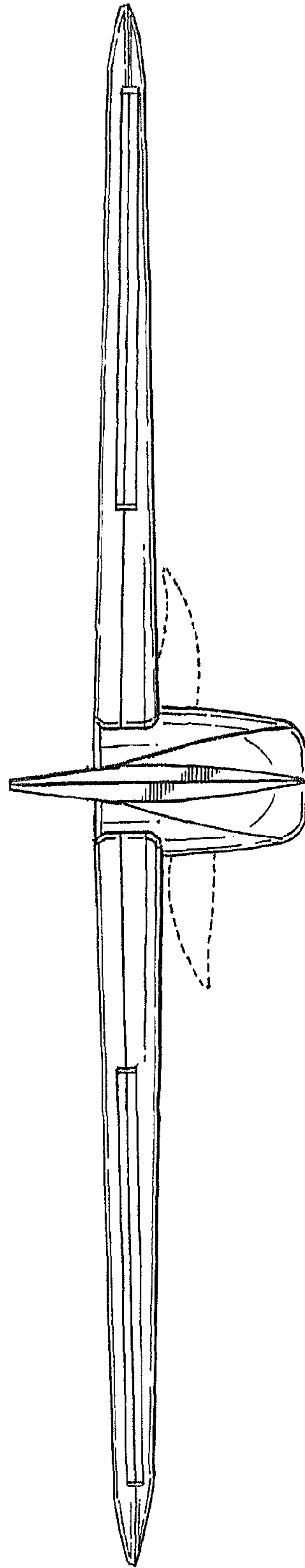


Fig. 5

Fig. 6

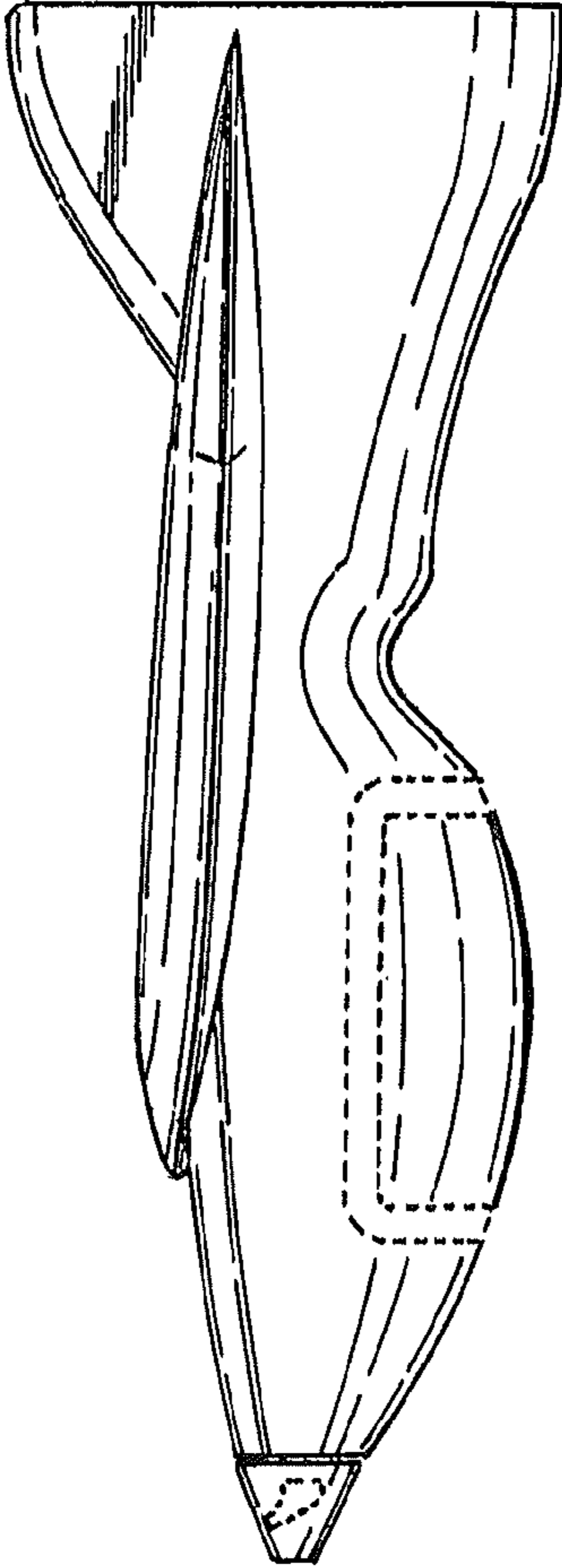


Fig. 7

