



US00D708560S

(12) **United States Design Patent**
George et al.

(10) **Patent No.:** **US D708,560 S**
(45) **Date of Patent:** **** Jul. 8, 2014**

(54) **VEHICLE MIRROR**

(71) Applicant: **Ford Motor Company**, Dearborn, MI (US)

(72) Inventors: **Kevin George**, Canton, MI (US);
George Bucher, Dearborn, MI (US);
Steven Gilmore, Redford, MI (US);
Shawn Wehrly, Royal Oak, MI (US)

(73) Assignee: **Ford Motor Company**, Dearborn, MI (US)

(**) Term: **14 Years**

(21) Appl. No.: **29/476,044**

(22) Filed: **Dec. 10, 2013**

(51) **LOC (10) Cl.** **12-16**

(52) **U.S. Cl.**
USPC **D12/187**

(58) **Field of Classification Search**
USPC D12/187, 188-189; D6/300, 309;
359/838, 841, 842, 843, 844, 868, 871,
359/604, 881, 514, 866; 248/479-483,
248/475.1

See application file for complete search history.

(56) **References Cited**

U.S. PATENT DOCUMENTS

7,104,662	B2 *	9/2006	Kawanishi	359/871
D586,276	S *	2/2009	Pfeiffer	D12/187
D654,414	S *	2/2012	Elmitt	D12/187
D660,752	S *	5/2012	Futschik et al.	D12/187
D661,634	S *	6/2012	Huet	D12/187
D666,542	S *	9/2012	Asano et al.	D12/187
D690,637	S *	10/2013	O'Donnell et al.	D12/187
D691,076	S *	10/2013	Vincent	D12/187

* cited by examiner

Primary Examiner — Katrina A Betton

(74) *Attorney, Agent, or Firm* — Damian Porcari

(57) **CLAIM**

The ornamental design for a vehicle mirror, as shown and described.

DESCRIPTION

FIG. 1 is a perspective view of the left vehicle mirror (the right vehicle mirror being a mirror image and is not shown); FIG. 2 is another perspective view thereof; FIG. 3 is a front elevational view thereof; FIG. 4 is rear elevational view thereof; FIG. 5 is a left side elevational view thereof; FIG. 6 is a right side elevational view thereof; FIG. 7 is a top plan view thereof; and, FIG. 8 is a bottom plan view thereof. The second embodiment is a mirror image of the left vehicle mirror as shown in FIGS. 1-8.

1 Claim, 8 Drawing Sheets



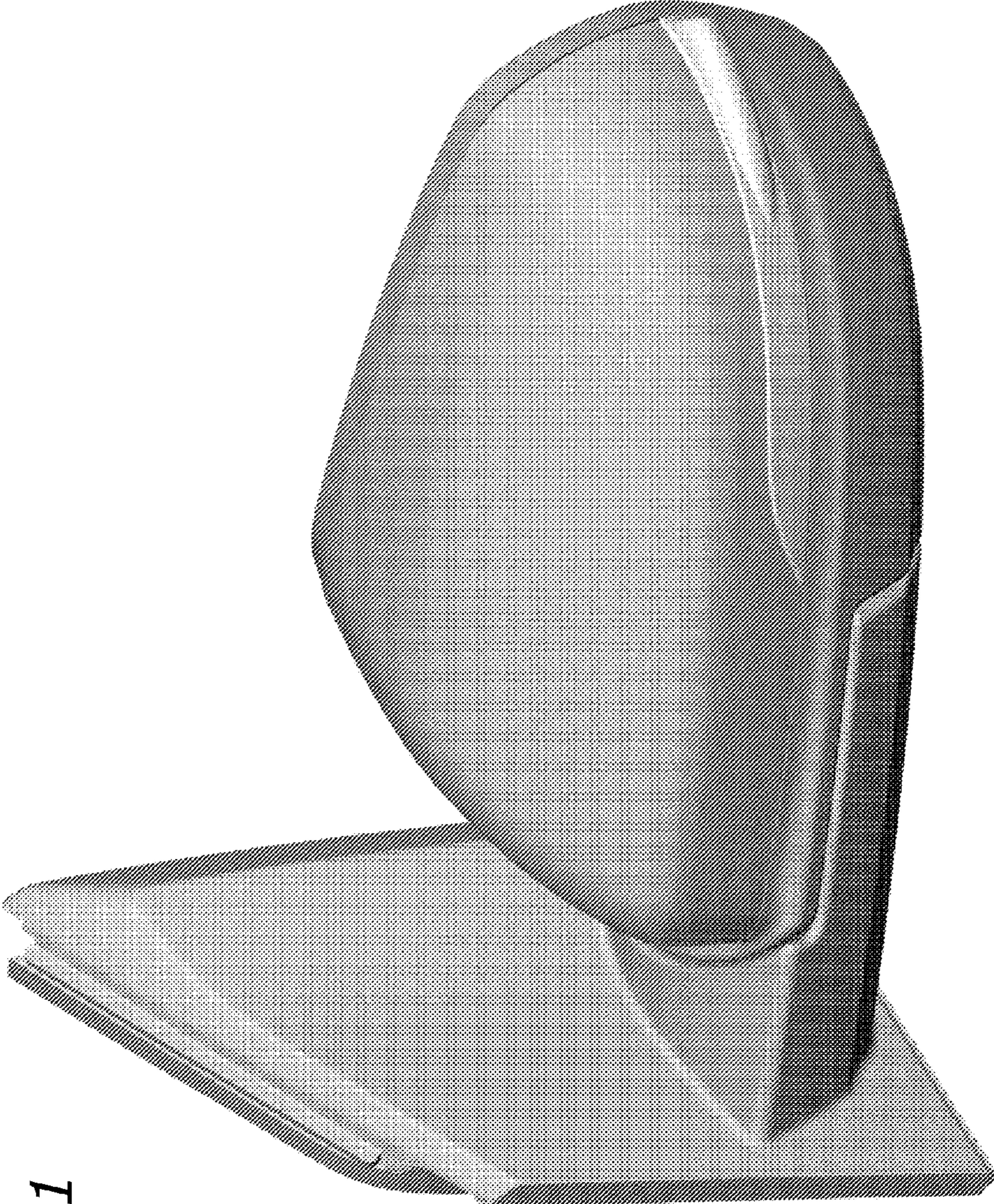


Figure 1

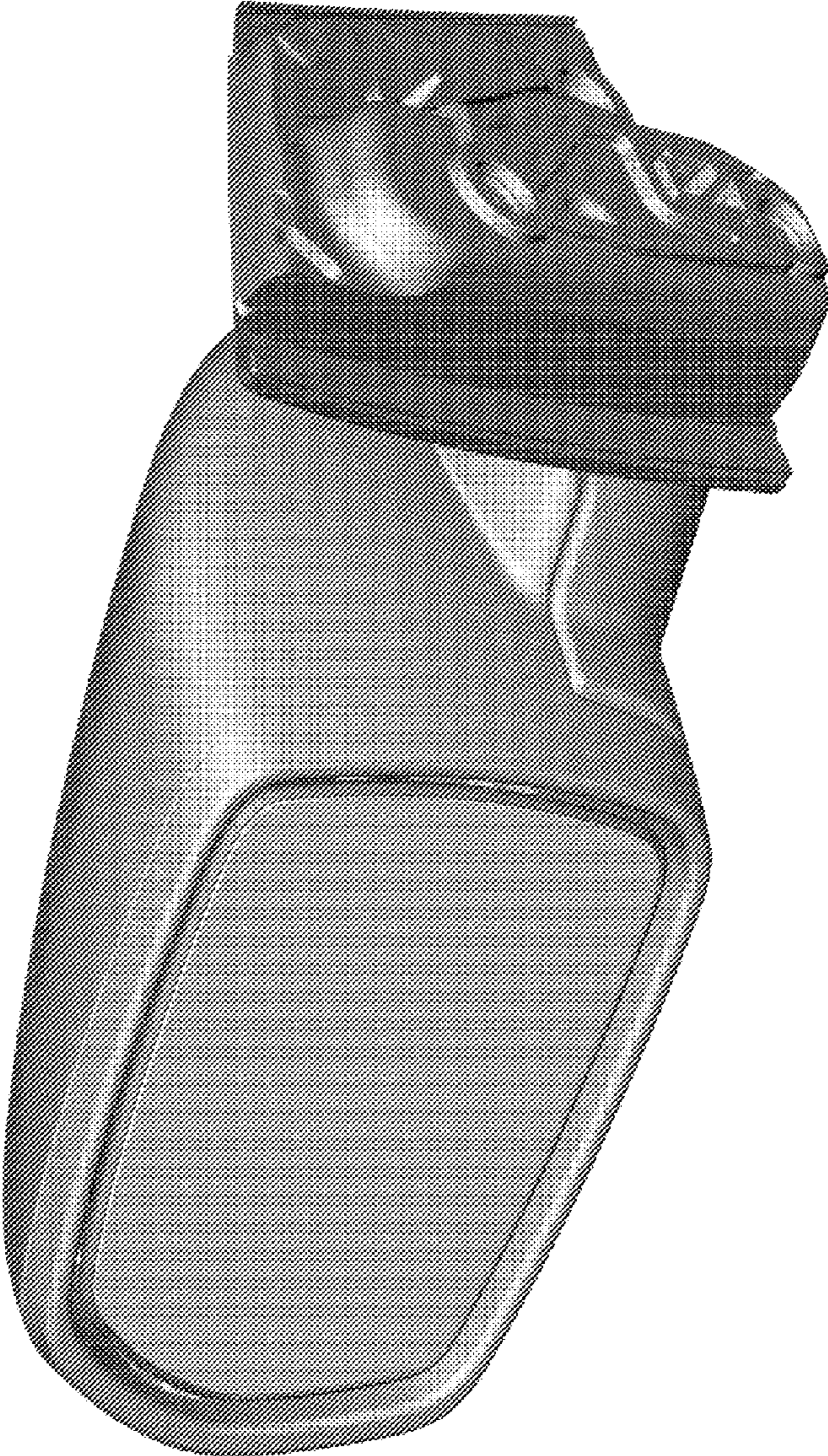


Figure 2

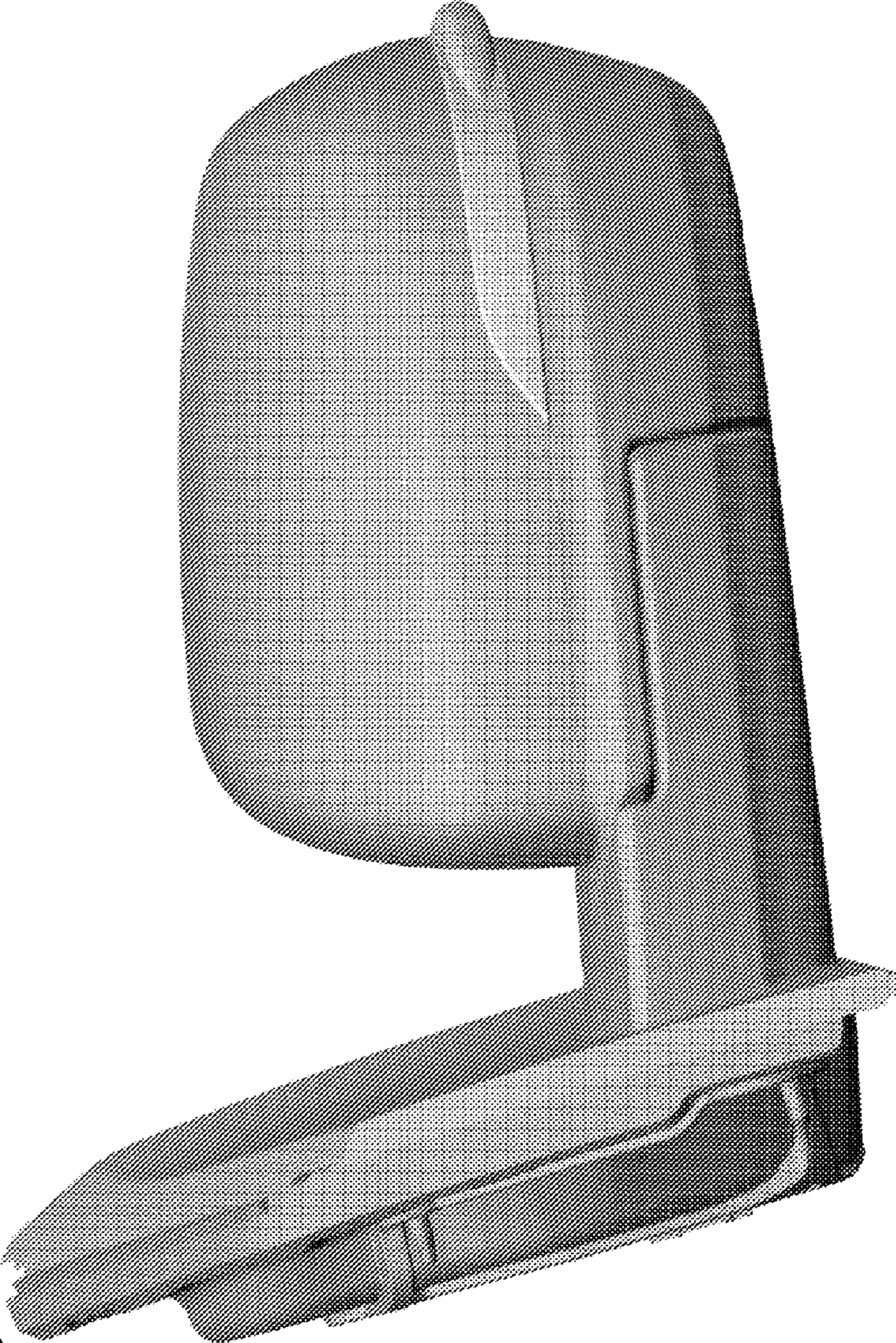


Figure 3

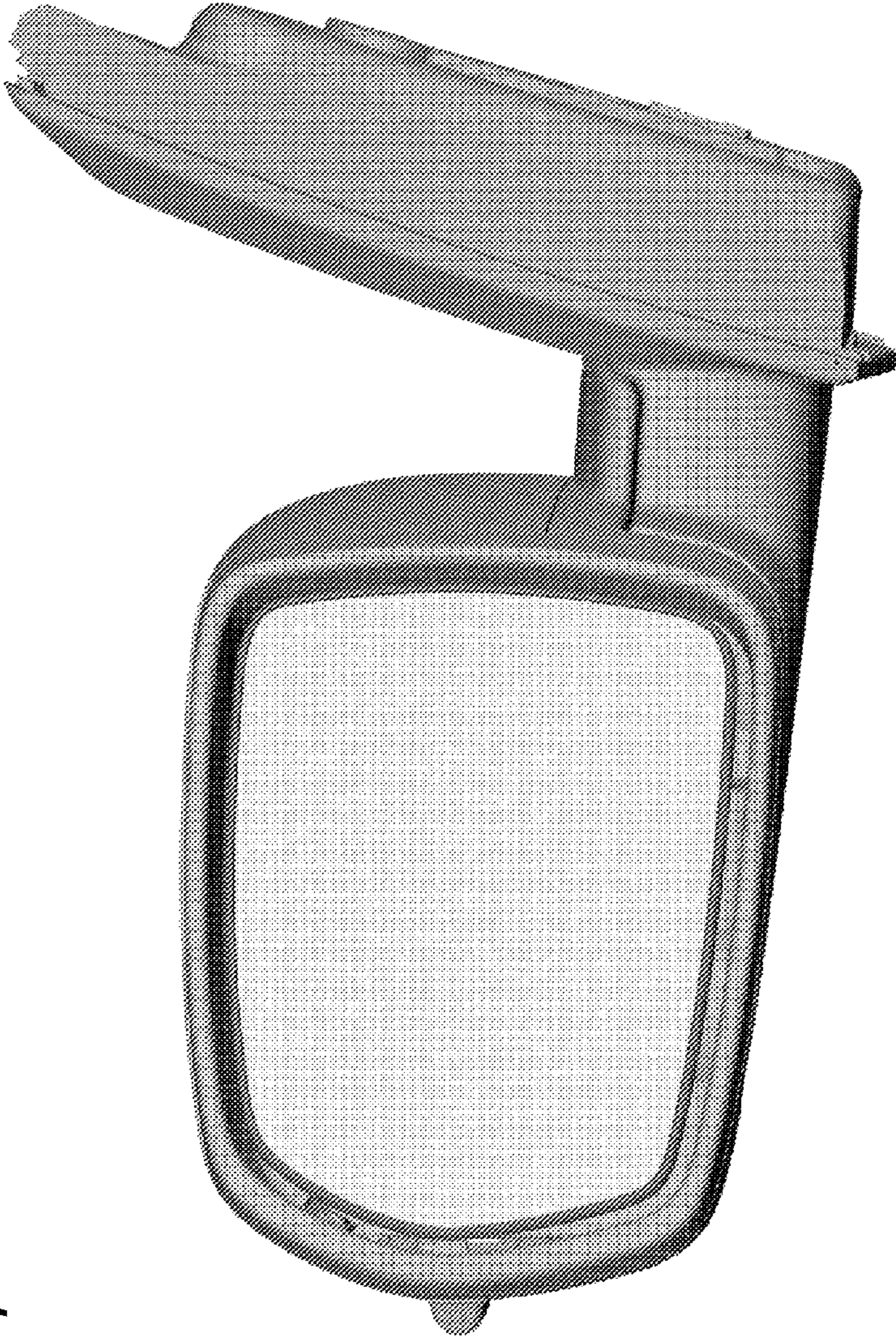


Figure 4

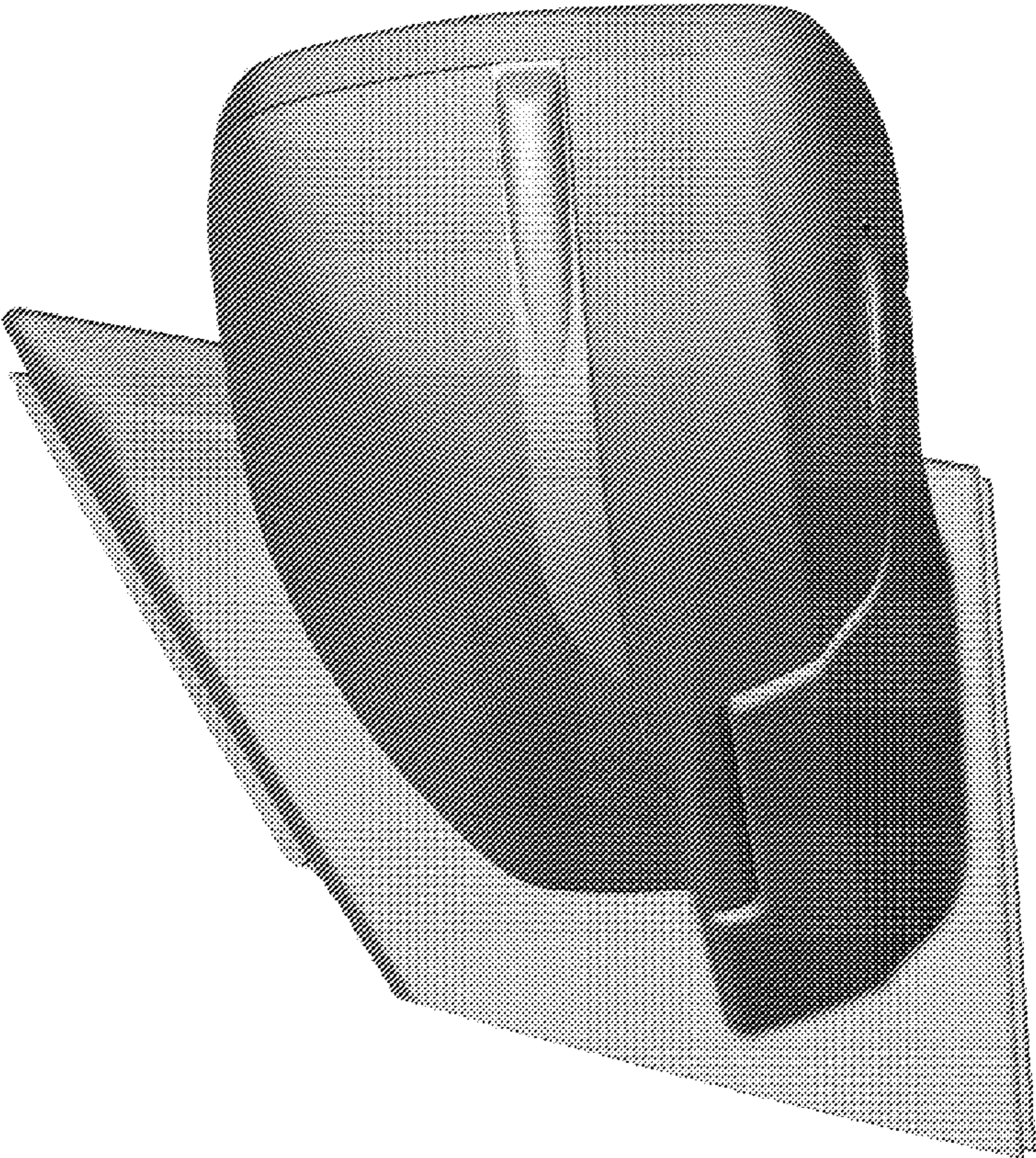


Figure 5

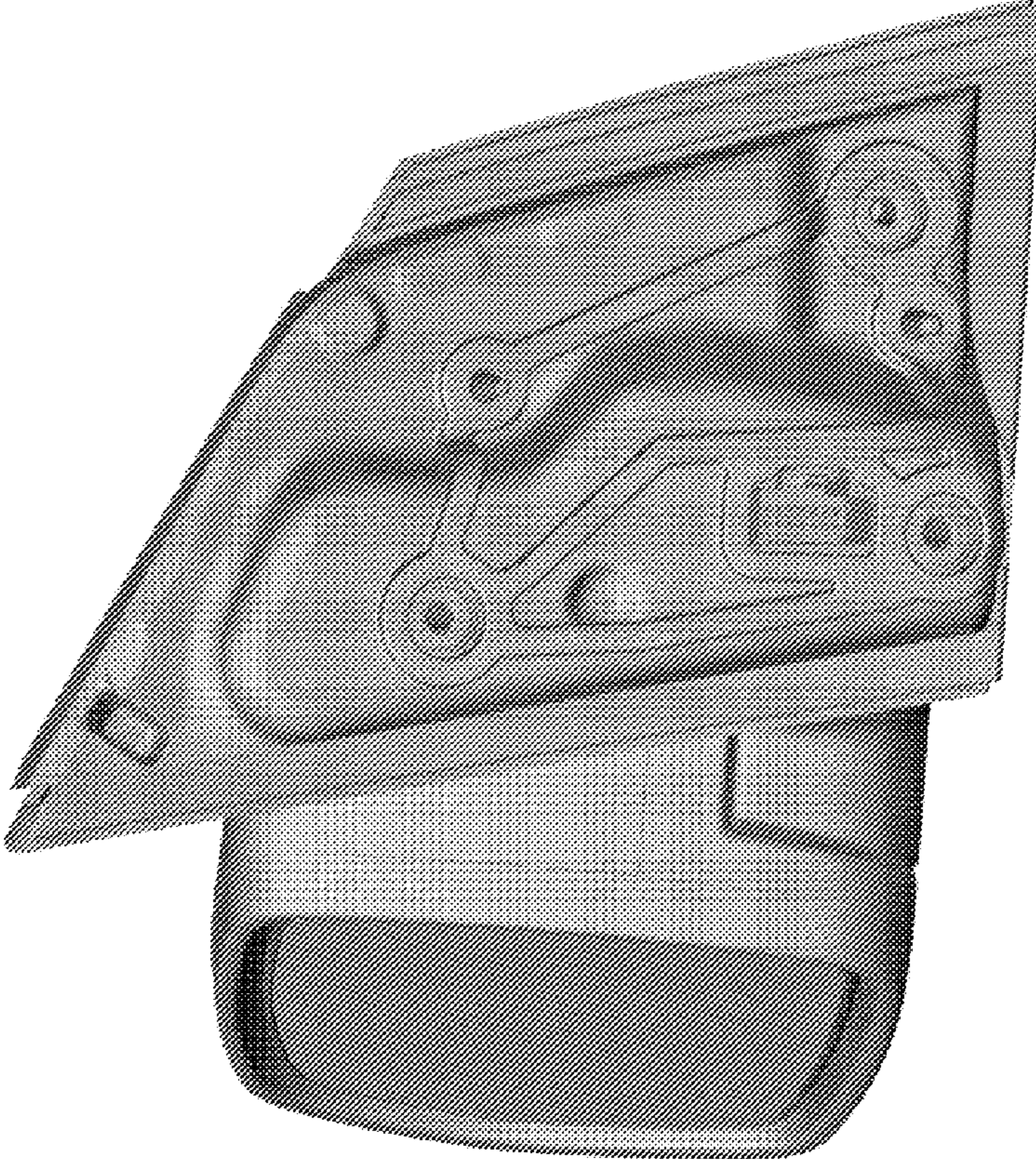


Figure 6

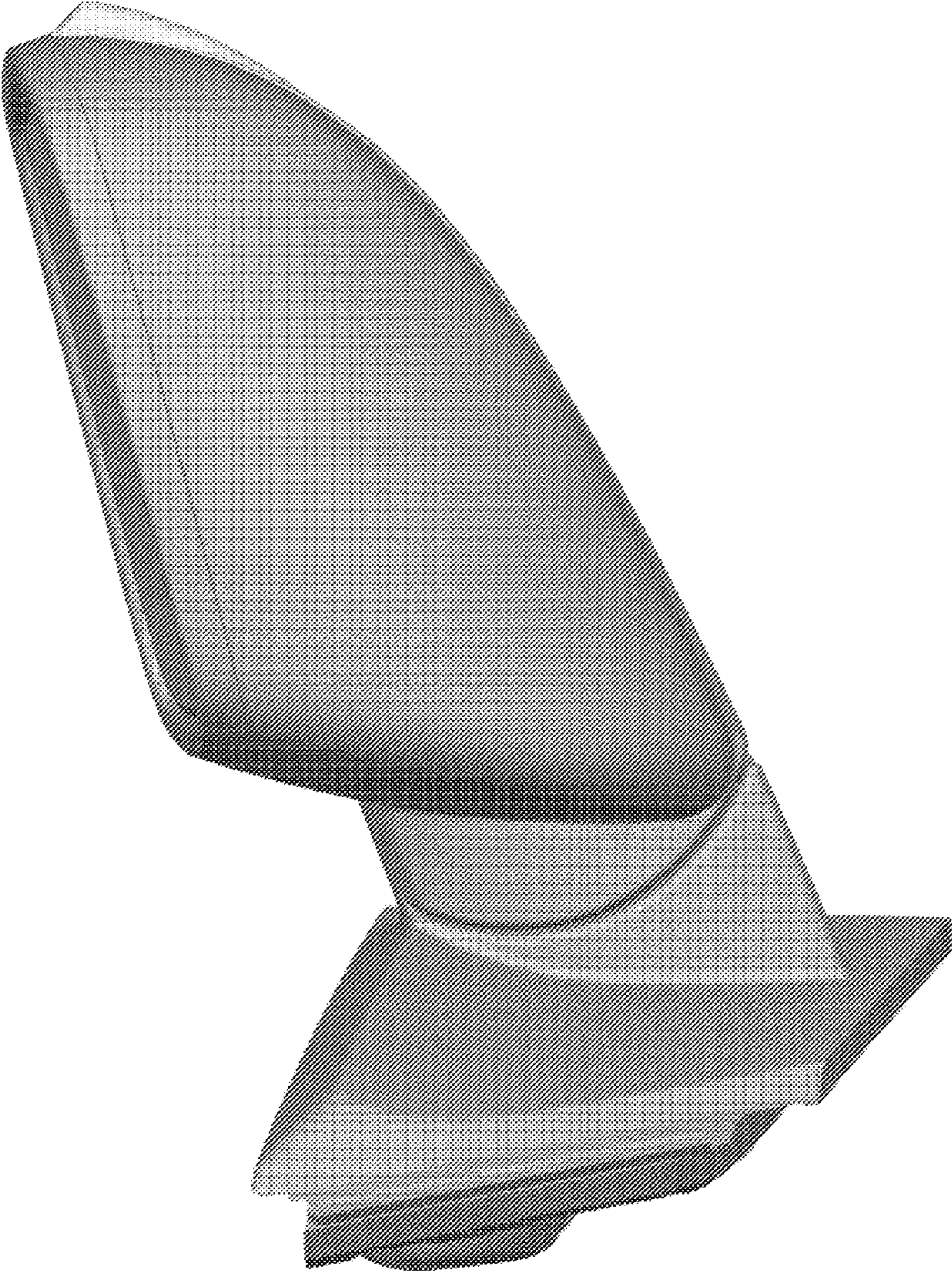


Figure 7

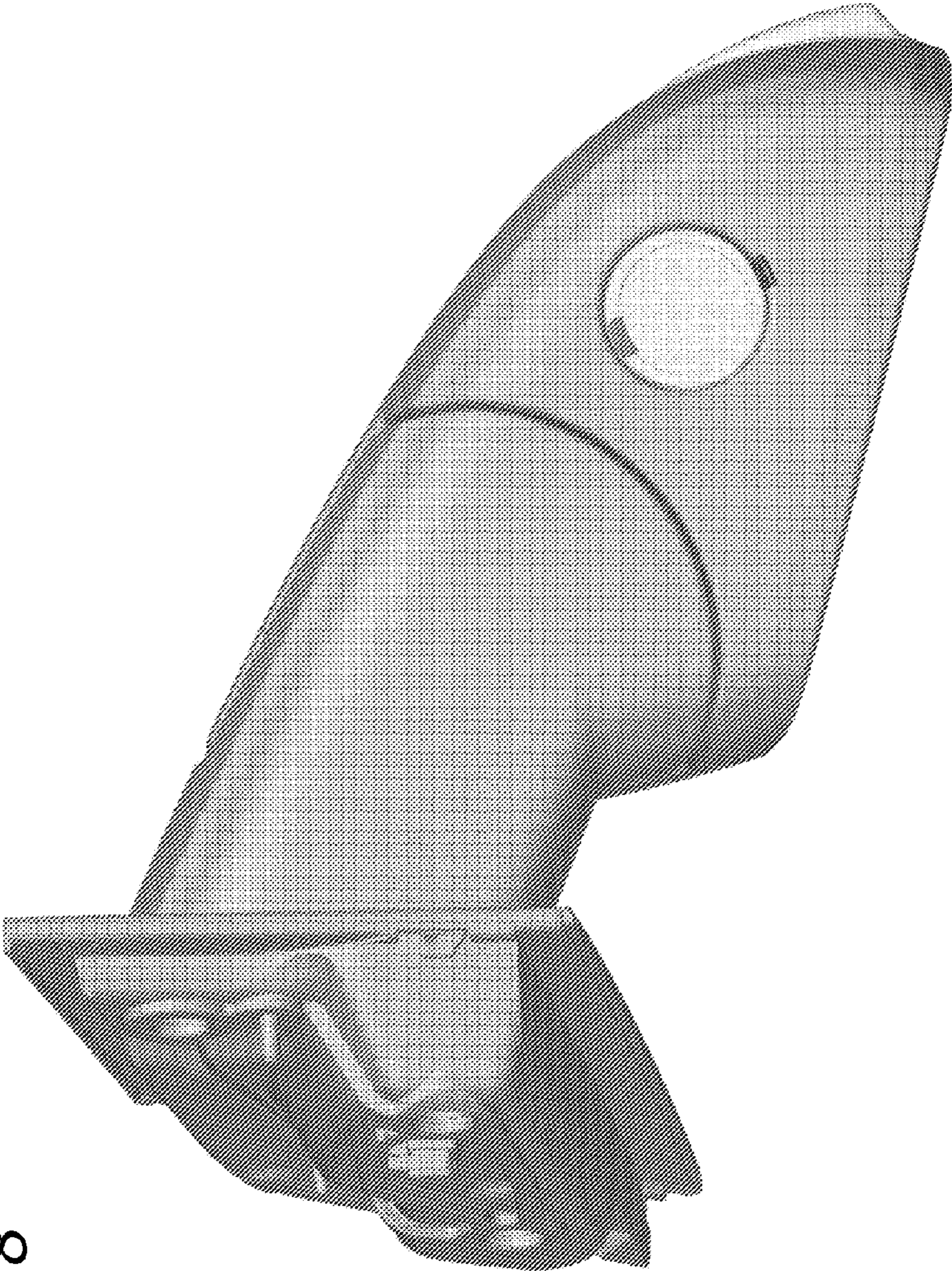


Figure 8