



US00D708558S

(12) **United States Design Patent**
Coombs et al.

(10) **Patent No.:** **US D708,558 S**

(45) **Date of Patent:** **** Jul. 8, 2014**

(54) **SOLAR PANEL SUNSHADE**

(71) Applicants: **Ian Morgan Coombs**, Thermopolis, WY
(US); **Kristy Kae White**, Thermopolis,
WY (US)

(72) Inventors: **Ian Morgan Coombs**, Thermopolis, WY
(US); **Kristy Kae White**, Thermopolis,
WY (US)

(**) Term: **14 Years**

(21) Appl. No.: **29/461,955**

(22) Filed: **Jul. 29, 2013**

(51) **LOC (10) Cl.** **12-08**

(52) **U.S. Cl.**
USPC **D12/183**

(58) **Field of Classification Search**
USPC D12/183, 400-401, 191, 182, 417, 181;
150/166, 168; 160/DIG. 2, DIG. 3,
160/370.21-370.23; 224/312; 296/84.1, 89,
296/96, 97.1, 97.5-97.11, 146.1, 187.01,
296/190.01; 49/502-504; 428/12

See application file for complete search history.

(56) **References Cited**

U.S. PATENT DOCUMENTS

5,657,810	A *	8/1997	Levy et al.	160/370.21
D482,994	S *	12/2003	Hilton	D12/191
D488,757	S *	4/2004	Gough	D12/196
D491,852	S *	6/2004	Corella	D12/191
D499,997	S *	12/2004	Linnartz et al.	D12/191
D558,108	S *	12/2007	Shelton et al.	D12/183
D665,334	S *	8/2012	Lien	D12/401
D672,219	S *	12/2012	Blanski et al.	D8/302
D695,170	S *	12/2013	Eskandry	D12/183
8,695,682	B2 *	4/2014	Lin	160/370.22

* cited by examiner

Primary Examiner — Katrina A Betton

(57) **CLAIM**

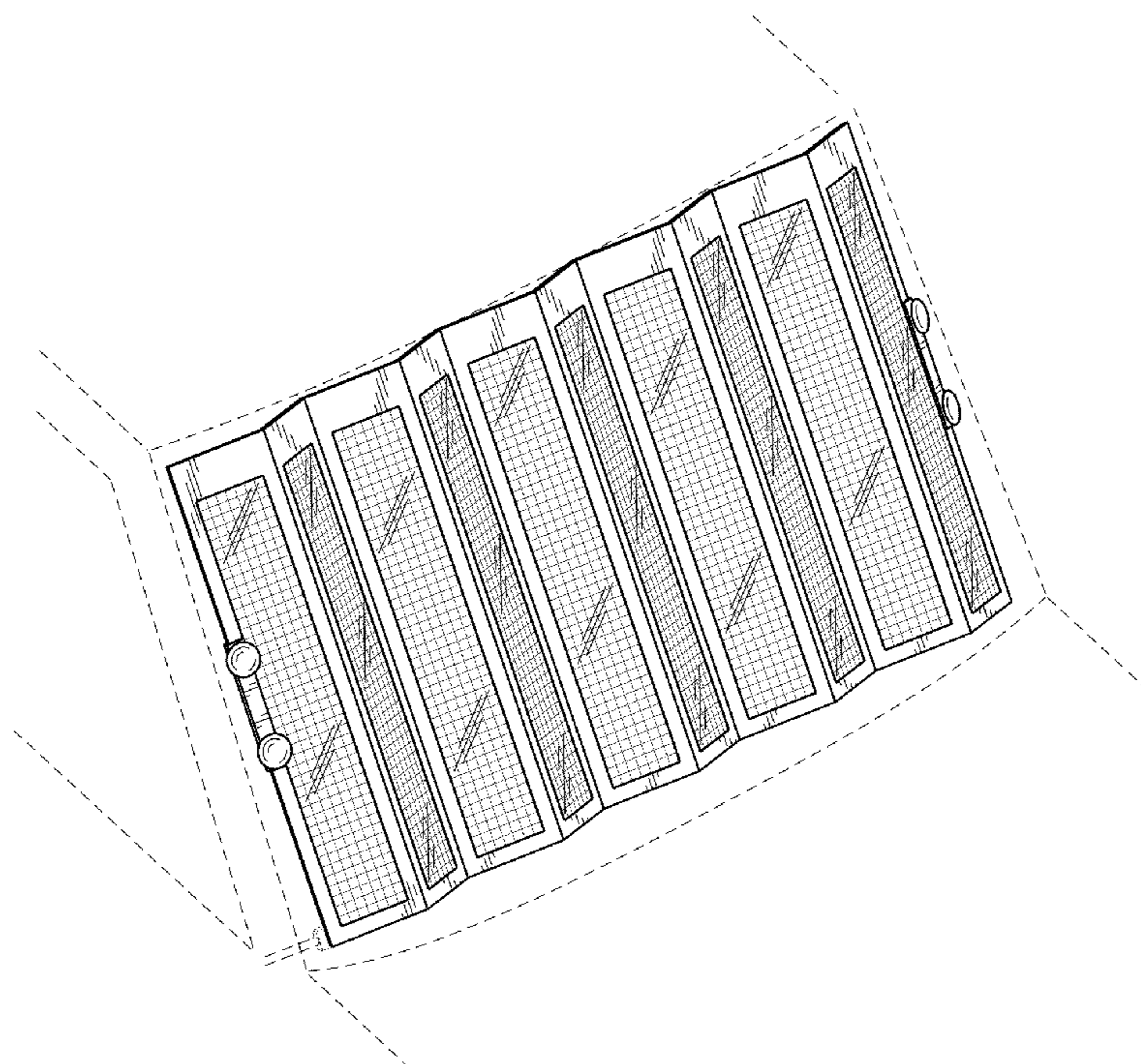
The ornamental design for a solar panel sunshade, as shown and described.

DESCRIPTION

FIG. 1 is a perspective front view of the solar panel sunshade; FIG. 2 is a front elevation view of the solar panel sunshade; FIG. 3 is a rear elevation view of the solar panel sunshade; FIG. 4 is a left side elevation view of the solar panel sunshade; the right side view being a mirror image thereof; and, FIG. 5 is a top view of the solar panel sunshade; the bottom view being a mirror image thereof.

The windshield is shown in broken lines for illustrative purposes only and forms no part of the claimed design.

1 Claim, 3 Drawing Sheets



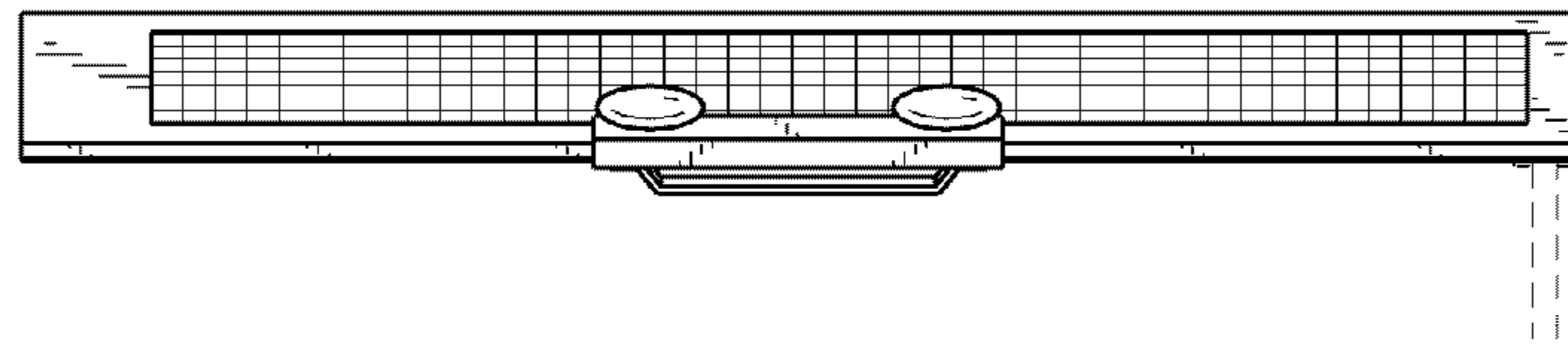


FIG. 4

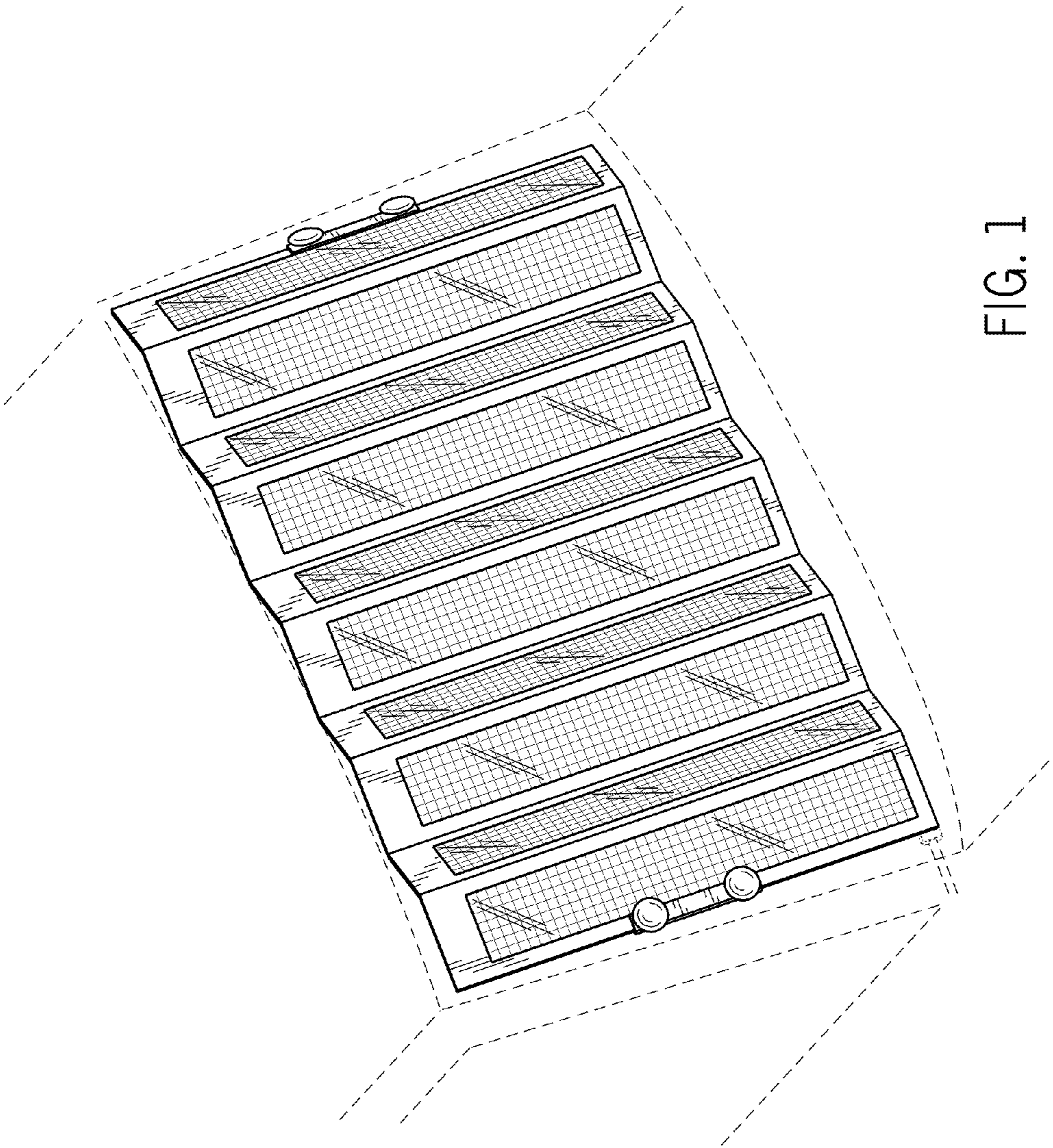


FIG. 1

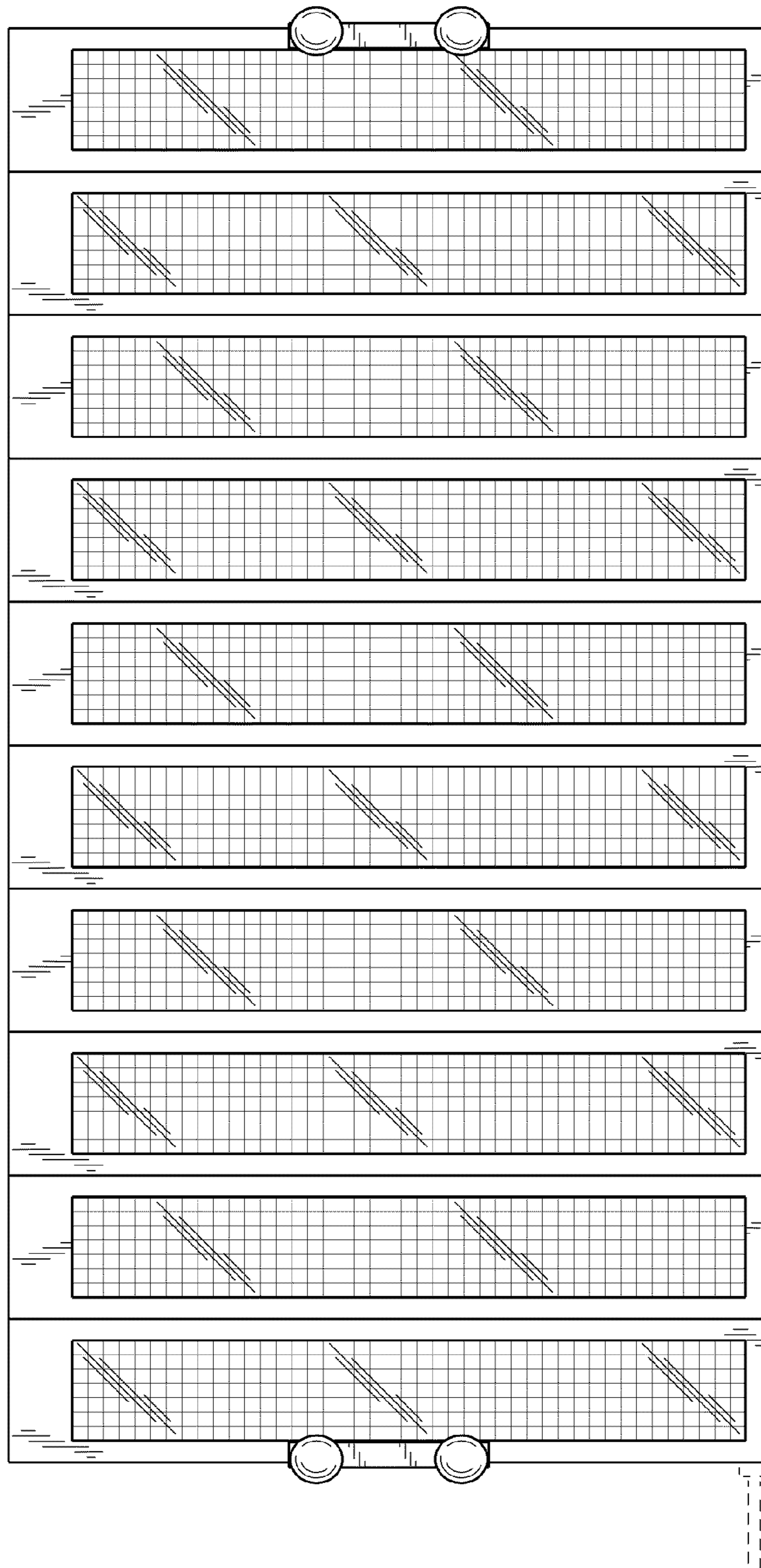


FIG. 2

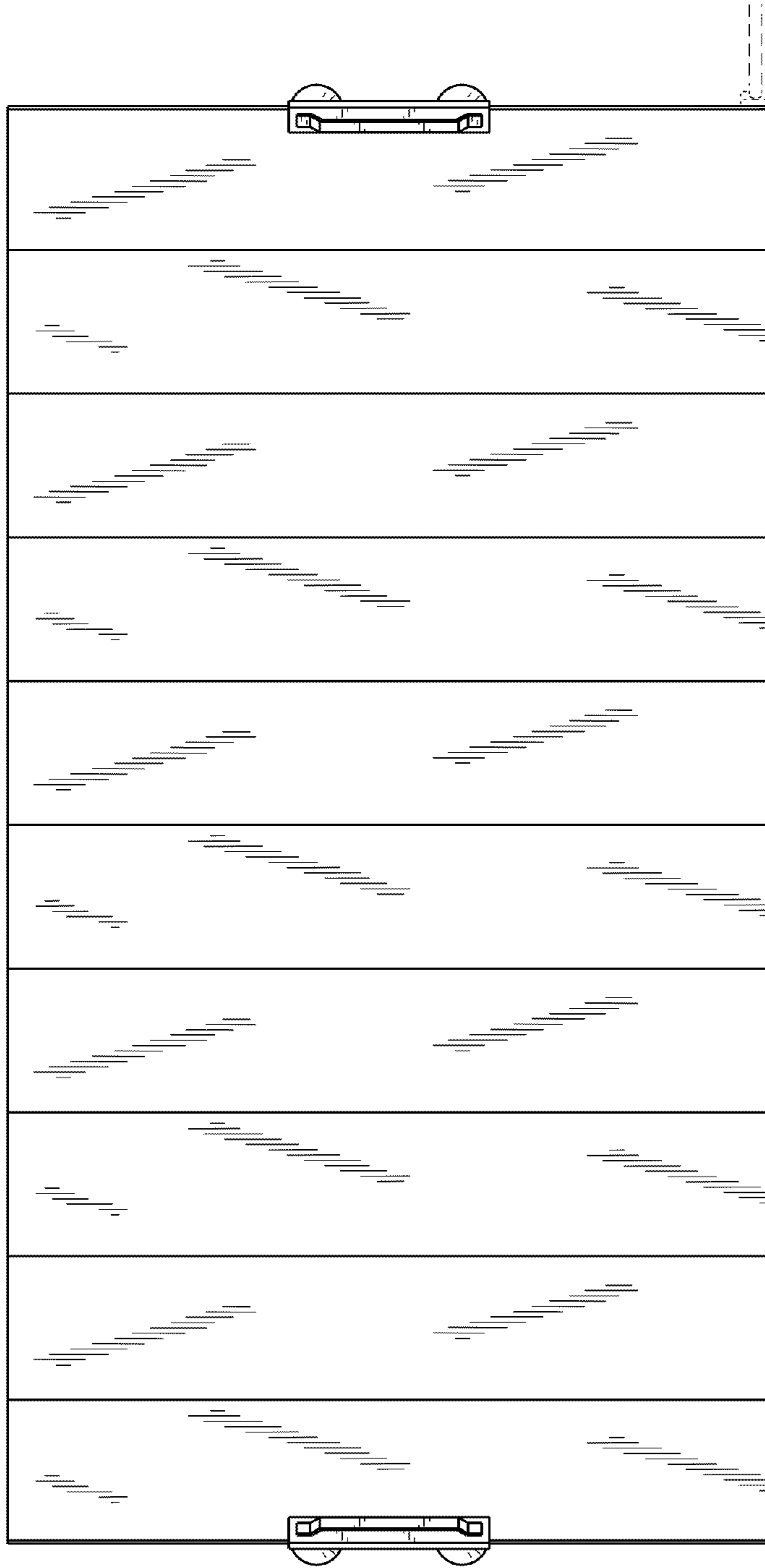


FIG. 3



FIG. 5