



US00D708555S

(12) **United States Design Patent**
Mackay

(10) **Patent No.:** **US D708,555 S**
(45) **Date of Patent:** **** Jul. 8, 2014**

(54) **VEHICLE GRILLE ASSEMBLY**

(71) Applicant: **GM Global Technology Operations LLC, Detroit, MI (US)**

(72) Inventor: **Brendon C. Mackay, Shelby Township, MI (US)**

(73) Assignee: **GM Global Technology Operations LLC, Detroit, MI (US)**

(**) Term: **14 Years**

(21) Appl. No.: **29/450,989**

(22) Filed: **Mar. 27, 2013**

(51) **LOC (10) Cl.** **12-16**

(52) **U.S. Cl.**
USPC **D12/163**

(58) **Field of Classification Search**
CPC B60R 19/18; B60R 19/52; B60R 2019/1886;
B60R 19/24; B60R 2019/527; B60R 19/02;
B62D 25/08; B62D 65/16
USPC D12/196, 163, 216, 96; 348/148,
348/E7.085; 293/115, 102, 120, 118, 119,
293/132, 117, 121, 122, 155, 133;
296/193.1, 187.04, 187.09, 193.09,
296/190.07, 190.08, 203.02; 180/68.6,
180/68.1, 68.4, 89.17; 362/467, 507, 505,
362/506, 546, 549, 496, 497; 29/453;
280/507; 52/473, 668, 669, 667;
165/149; 428/319.3, 319.7, 68, 71, 76;
403/353, 386

See application file for complete search history.

D533,119 S * 12/2006 Schiavone et al. D12/163
D533,485 S * 12/2006 Schiavone et al. D12/163
D535,221 S * 1/2007 Lau et al. D12/163
D535,589 S * 1/2007 Lau et al. D12/163
D535,591 S * 1/2007 Schiavone D12/163
D560,568 S * 1/2008 Tant et al. D12/163
D561,654 S * 2/2008 Platto et al. D12/163
D561,656 S * 2/2008 Ellis et al. D12/163
D572,179 S * 7/2008 Zimmermann et al. D12/163
7,896,409 B2 * 3/2011 Abdelnour et al. 293/115
D637,530 S * 5/2011 Aris et al. D12/163
D661,231 S * 6/2012 Galante et al. D12/163
D673,089 S * 12/2012 Parkes et al. D12/169
D679,225 S * 4/2013 Gifford D12/163
2006/0095178 A1 * 5/2006 Guilfoyle et al. 701/36
2007/0176441 A1 * 8/2007 Lau et al. 293/115
2009/0050385 A1 * 2/2009 Guilfoyle et al. 180/68.1

OTHER PUBLICATIONS

2014 GMC Sierra Front Grille, posted at Free Car Wallpaper, Sep. 20, 2013, © 2013 World Car Wallpapers, [online], [site visited Dec. 17, 2013]. Available from Internet, <URL: <http://www.worldcarwallpapers.com/2014-gmc-sierra-front-grille/>>.*

(Continued)

Primary Examiner — Eric Goodman
Assistant Examiner — Ryan Harvey
(74) *Attorney, Agent, or Firm* — Parks IP Law LLC; Mickki D. Murray, Esq.

(57) **CLAIM**
The ornamental design for a vehicle grille assembly, as shown and described.

DESCRIPTION

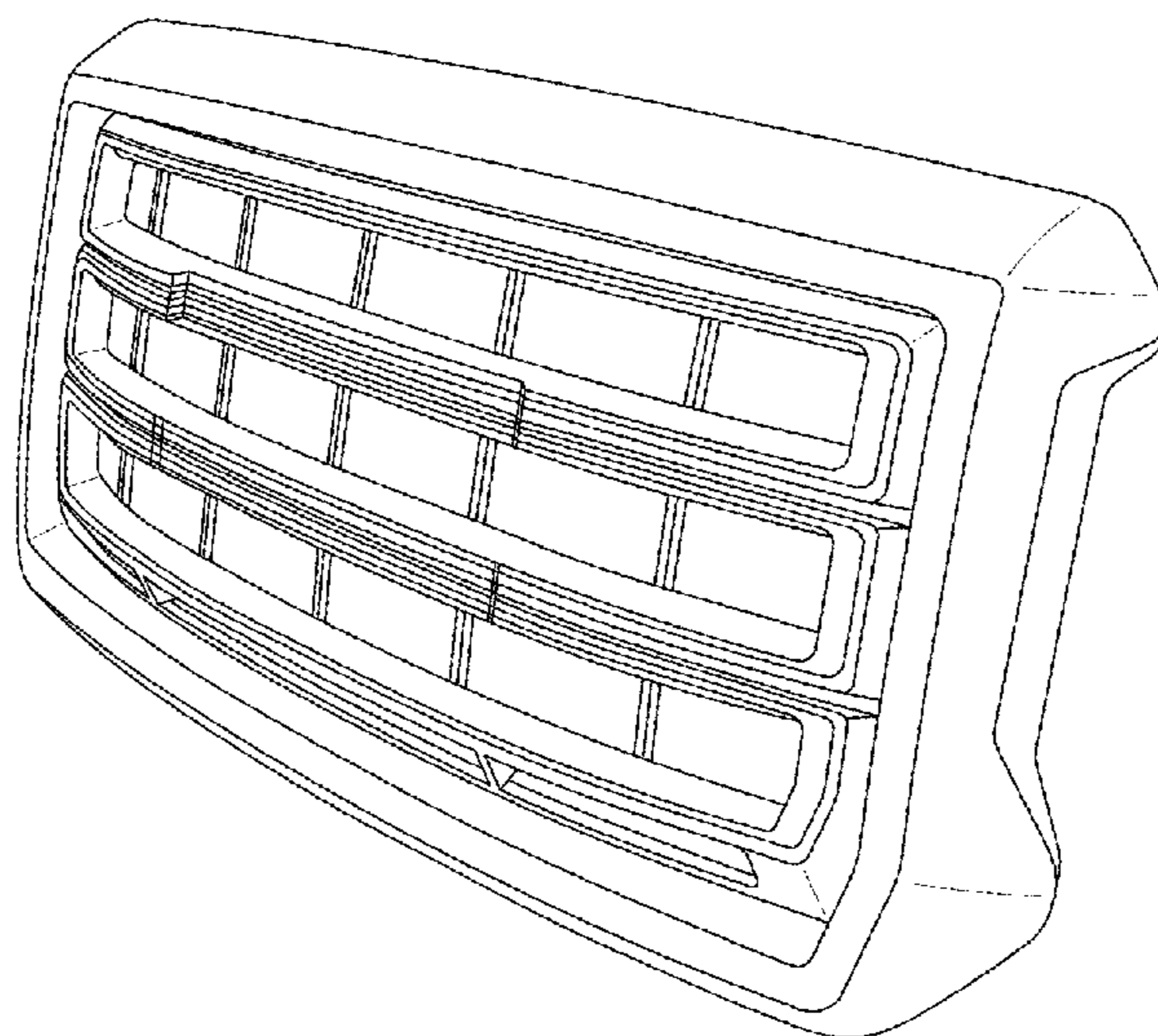
FIG. 1 is front perspective view of a vehicle grille assembly showing the new design;
FIG. 2 is a side view, thereof;
FIG. 3 is a front view, thereof; and,
FIG. 4 is a top plan view, thereof.

1 Claim, 1 Drawing Sheet

(56) **References Cited**

U.S. PATENT DOCUMENTS

2,905,286 A * 9/1959 Adams et al. 52/667
7,100,973 B2 * 9/2006 Aigner et al. 296/193.1
D532,724 S * 11/2006 Schiavone et al. D12/163



(56)

References Cited

OTHER PUBLICATIONS

2014 Sierra 1500 Pickup Truck, posted at GMC , No Post Date Given, © 2013 GMC, [online], [site visited Dec. 17, 2013]. Available from Internet, <URL: <http://www.gmc.com/sierra-1500-pickup-truck.html>>.*

2014 GMC Sierra 1500 SLE grille and badge photo, posted at Car and Driver, No post date given, © 2013 Car and Driver, [online], [site visited Dec. 17, 2013]. Available from Internet, <URL: <http://www.caranddriver.com/photos-12q4/492040/2014-gmc-sierra-1500-sle-grille-and-badge-photo-492688>>.*

* cited by examiner

Fig-1

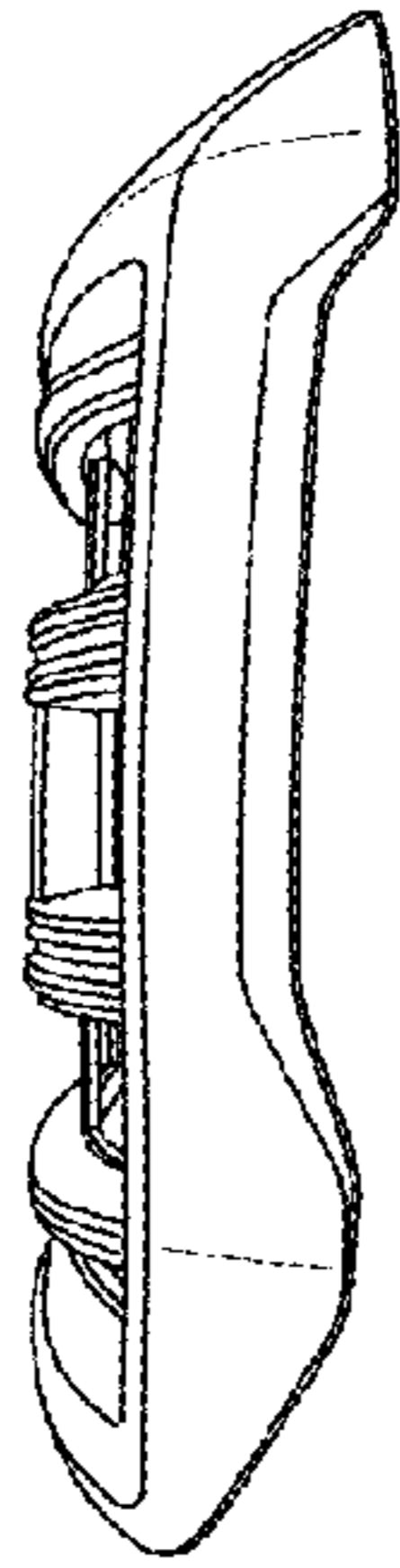
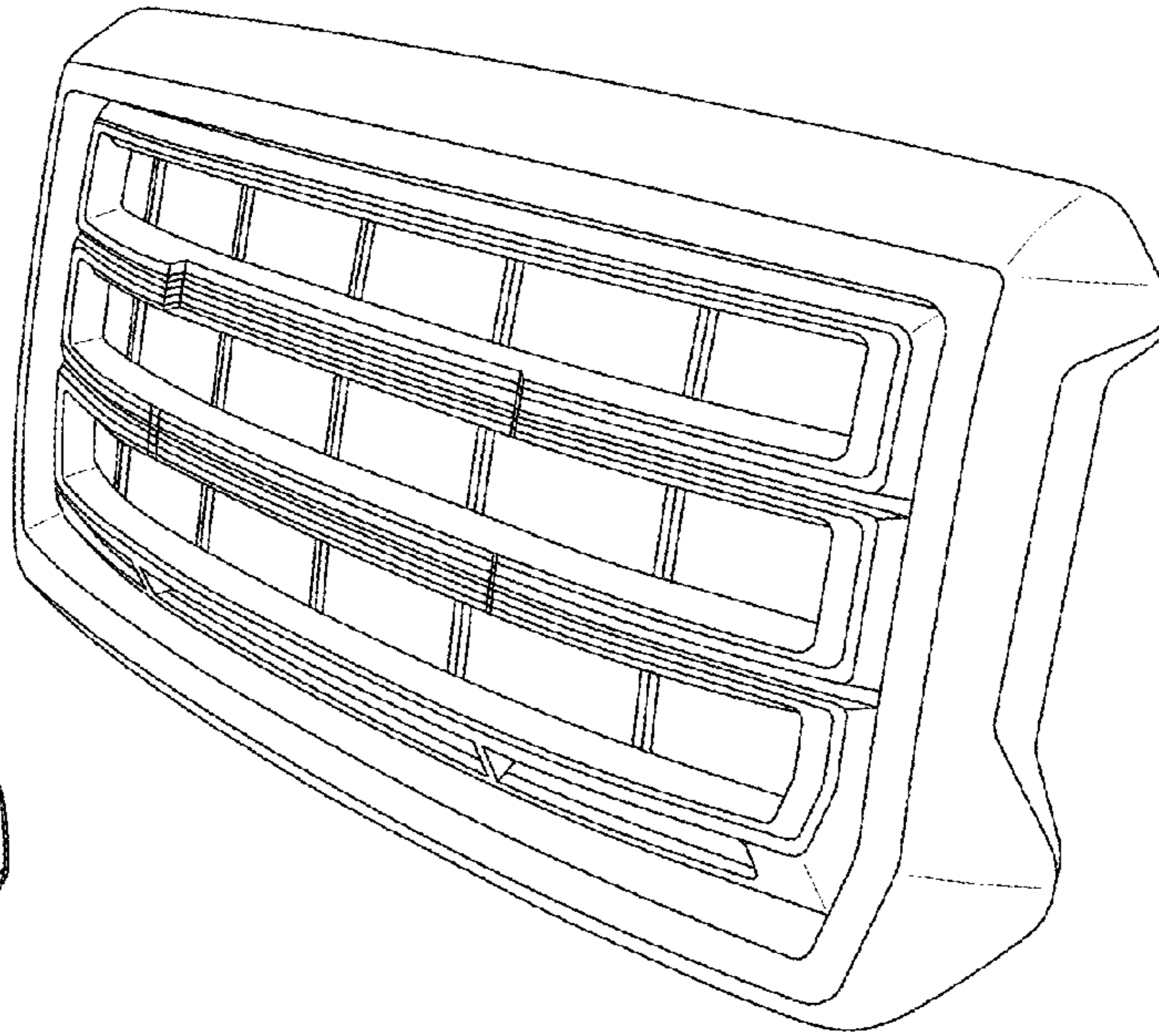


Fig-2

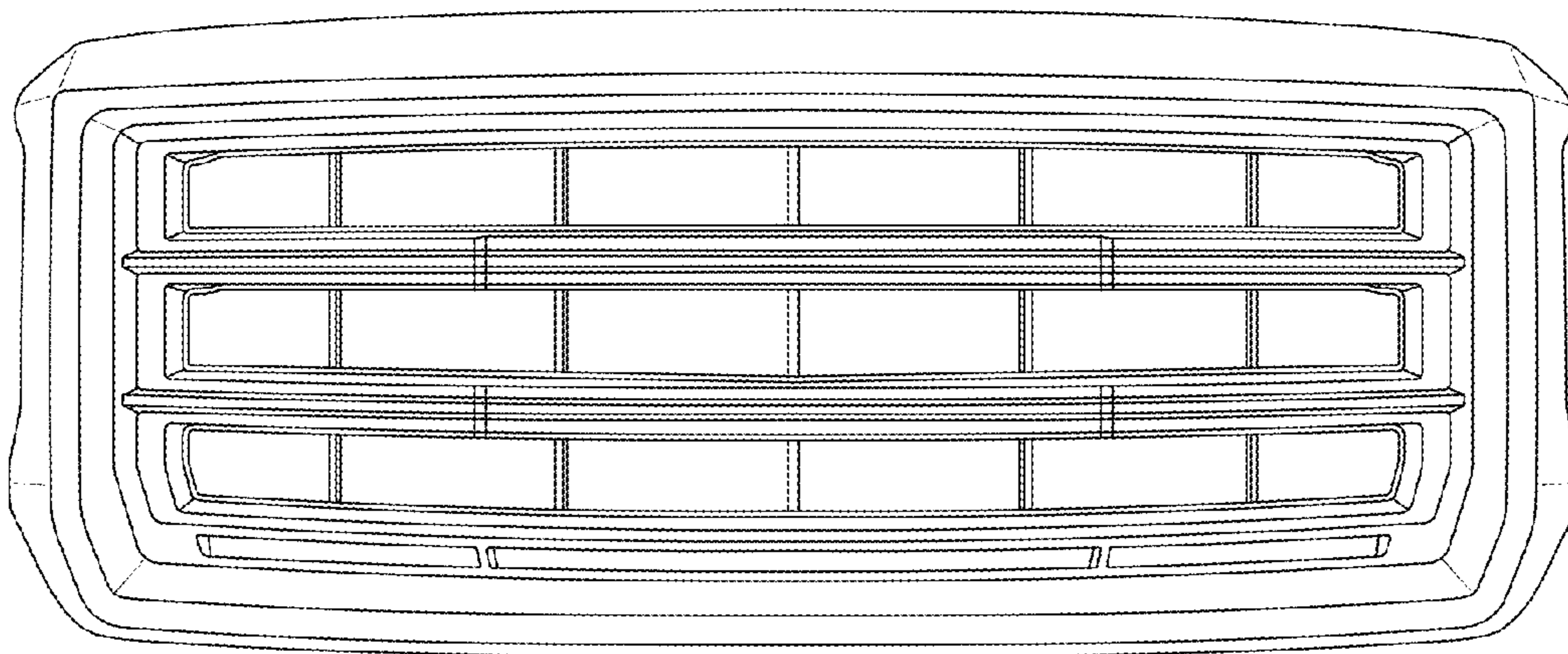


Fig-3

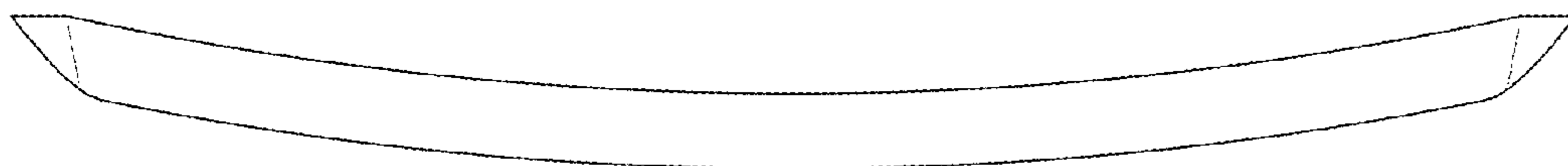


Fig-4