



US00D708554S

(12) **United States Design Patent**
Waldner

(10) **Patent No.:** **US D708,554 S**
(45) **Date of Patent:** **** Jul. 8, 2014**

- (54) **HITCH MOUNTING**
- (71) Applicant: **Crystal Spring Colony Farms Ltd., St. Agathe (CA)**
- (72) Inventor: **David Waldner, St. Agathe (CA)**
- (73) Assignee: **Crystal Spring Colony Farms Ltd., Ste Agathe, MB (CA)**
- (**) Term: **14 Years**
- (21) Appl. No.: **29/453,143**
- (22) Filed: **Apr. 25, 2013**
- (51) **LOC (10) Cl.** **12-16**
- (52) **U.S. Cl.**
USPC **D12/162**
- (58) **Field of Classification Search**
USPC D12/162, 159, 161, 160; 56/DIG. 14;
37/399; 280/406.2, 407, 407.1, 408,
280/411.1, 416.1, 416.2, 416.3, 418, 418.1,
280/433, 434, 435, 441.1, 441.2, 455.1,
280/456.1, 480, 493, 504, 507, 508;
224/42.11, 42.12, 42.14, 42.26, 400,
224/401, 412, 413, 488, 494, 500-501, 519,
224/537; 135/88.05; 150/166
See application file for complete search history.

| | | | | | |
|--------------|------|---------|--------------|-------|-----------|
| 6,712,381 | B1 * | 3/2004 | Moss | | 280/491.1 |
| 6,745,926 | B2 * | 6/2004 | Chimenti | | 224/509 |
| 7,044,493 | B1 * | 5/2006 | Wilson | | 280/489 |
| 7,338,064 | B1 * | 3/2008 | Williams | | 280/491.3 |
| 7,819,128 | B2 * | 10/2010 | Clark et al. | | 135/88.08 |
| 2007/0102898 | A1 * | 5/2007 | Schulze | | 280/507 |
| 2007/0145716 | A1 * | 6/2007 | Schulze | | 280/483 |
| 2011/0156369 | A1 * | 6/2011 | Schroder | | 280/491.1 |

* cited by examiner

Primary Examiner — Katrina A Betton

(74) *Attorney, Agent, or Firm* — Adrian D. Battison; Ade & Company Inc.

(57) **CLAIM**

The ornamental design for a hitch mounting, as shown and described.

DESCRIPTION

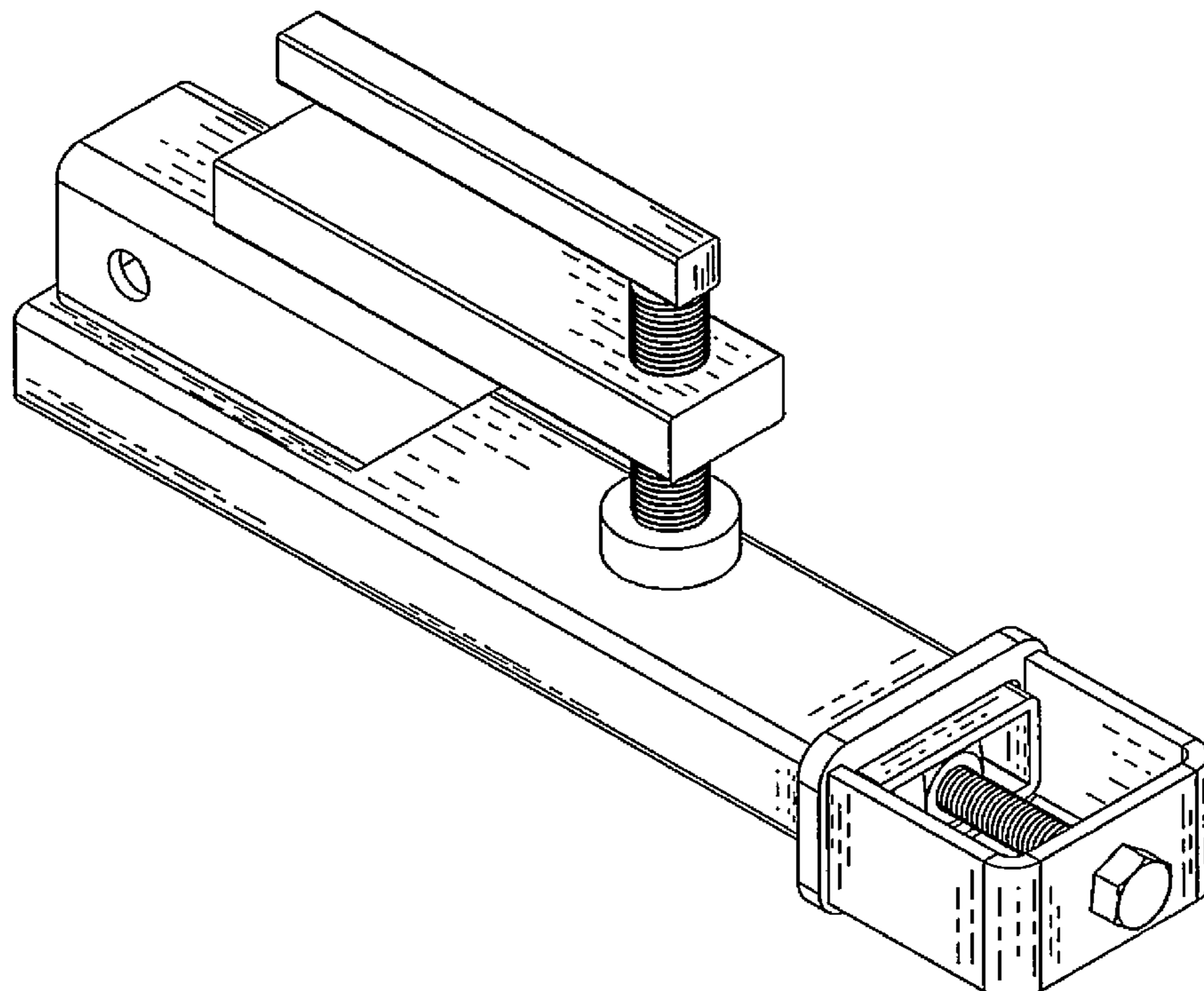
FIG. 1 is a first isometric view from the front and one side of the hitch mounting showing the design
 FIG. 2 is a front elevational view of the hitch mounting showing the design
 FIG. 3 is a right side elevational view of the hitch mounting showing the design
 FIG. 4 is a left side elevational view of the hitch mounting showing the design
 FIG. 5 is a top plan view of the hitch mounting showing the design
 FIG. 6 is a bottom plan view of the hitch mounting showing the design; and,
 FIG. 7 is a back elevational view of the hitch mounting showing the design.

1 Claim, 7 Drawing Sheets

(56) **References Cited**

U.S. PATENT DOCUMENTS

D358,570 S * 5/1995 Doherty et al. D12/162
 6,634,667 B1 * 10/2003 Tozer 280/514



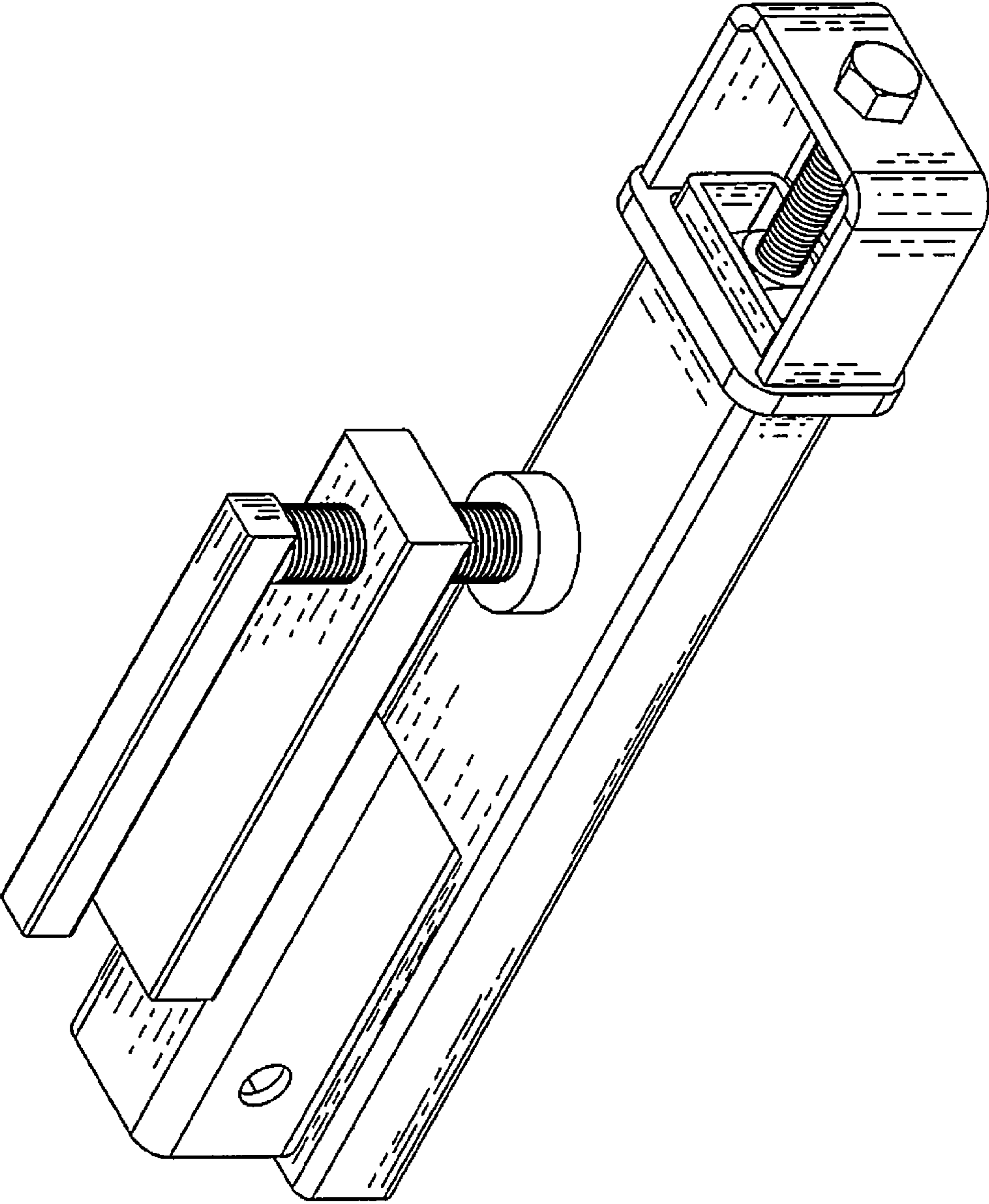


FIG.1

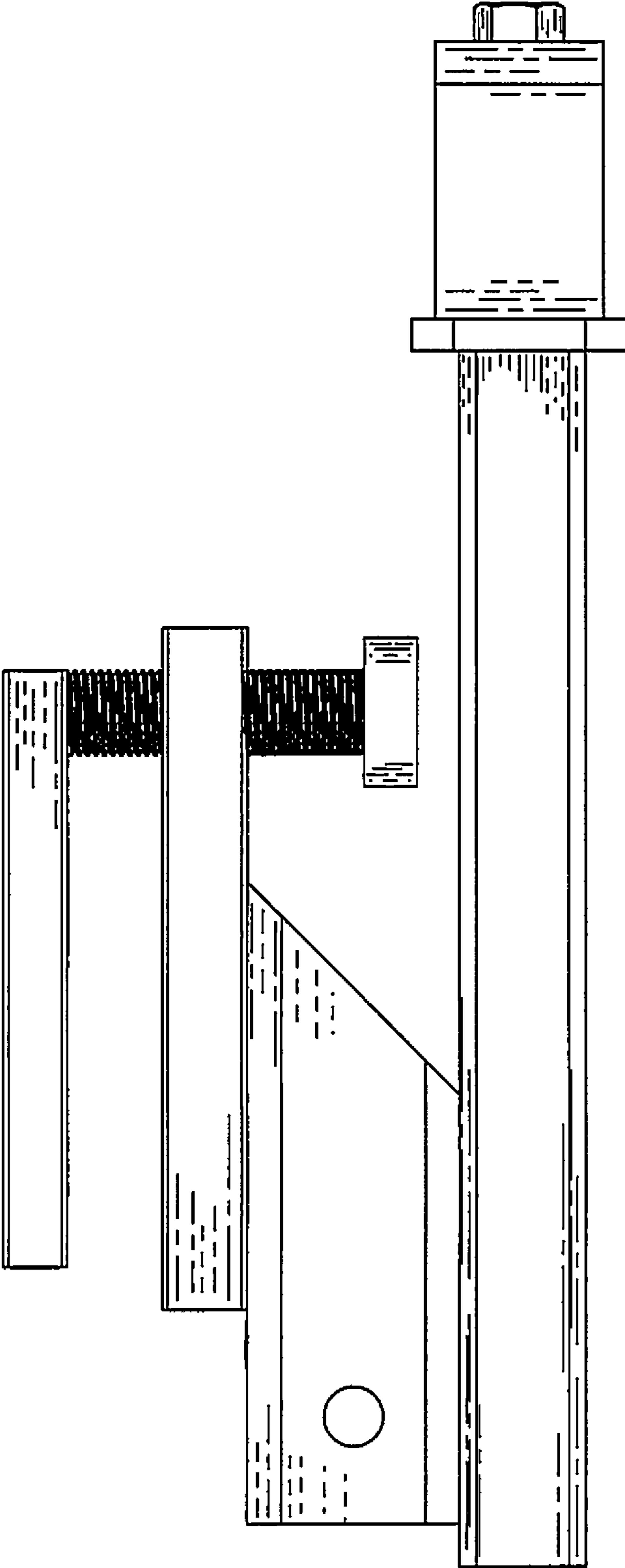


FIG.2

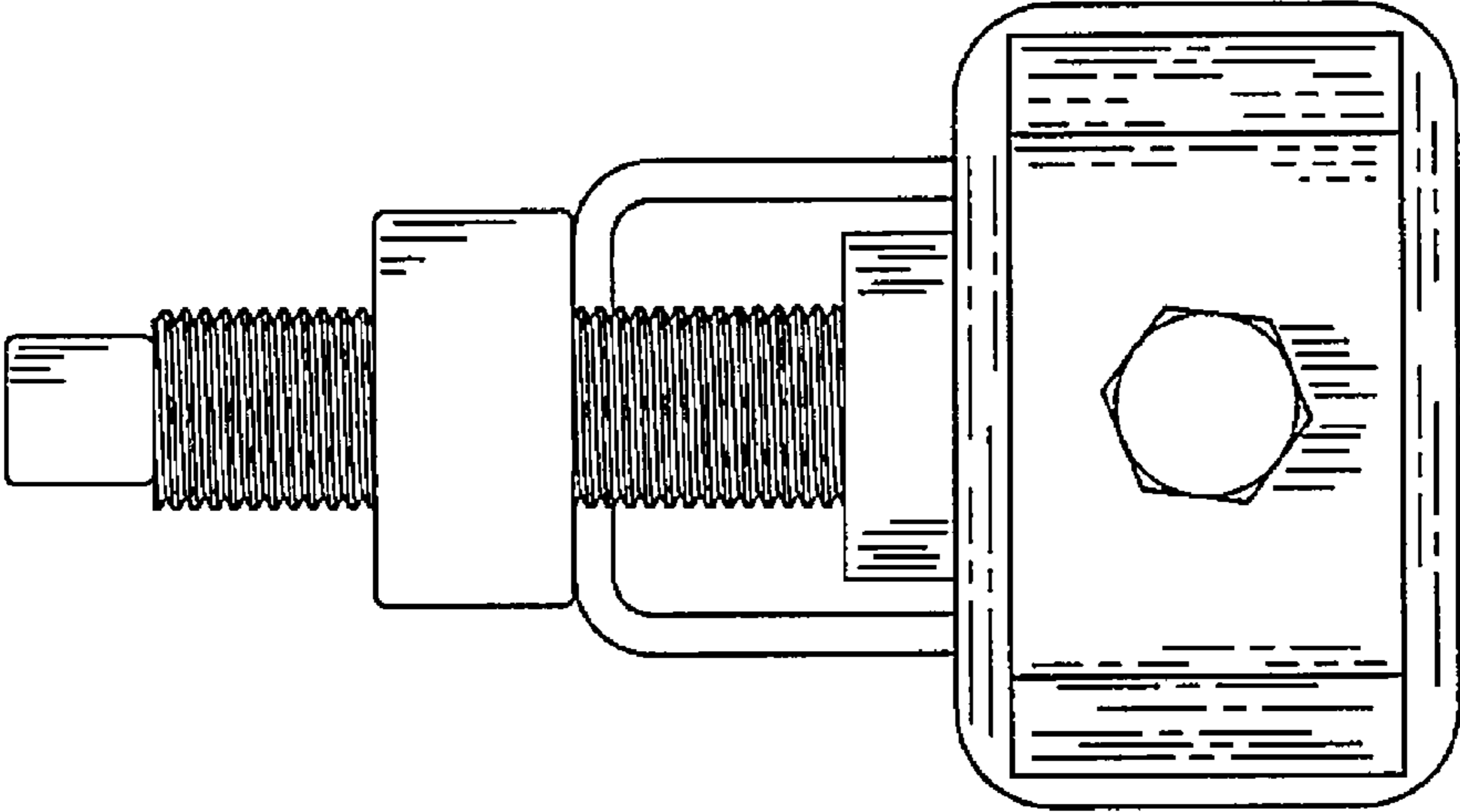


FIG.3

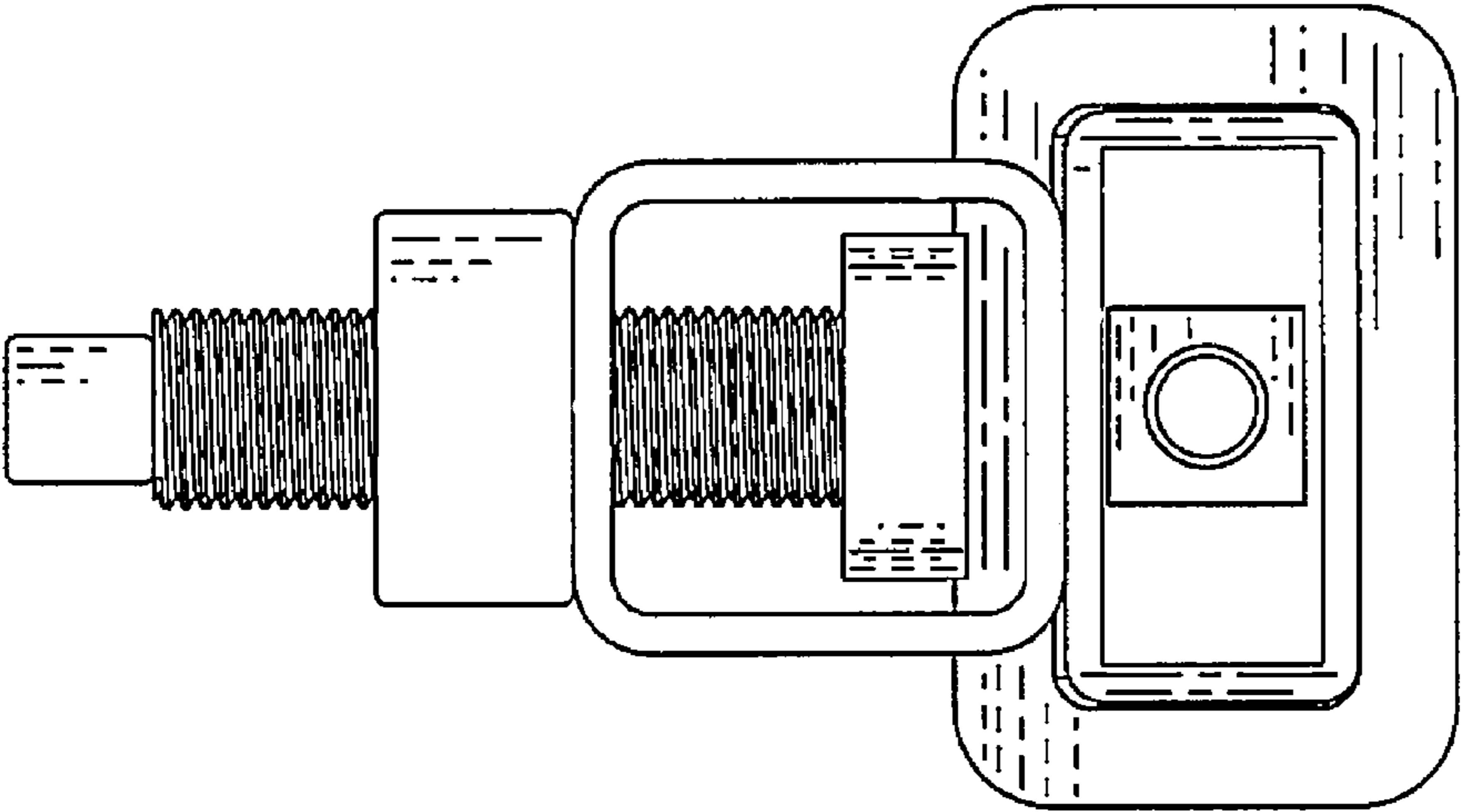


FIG.4

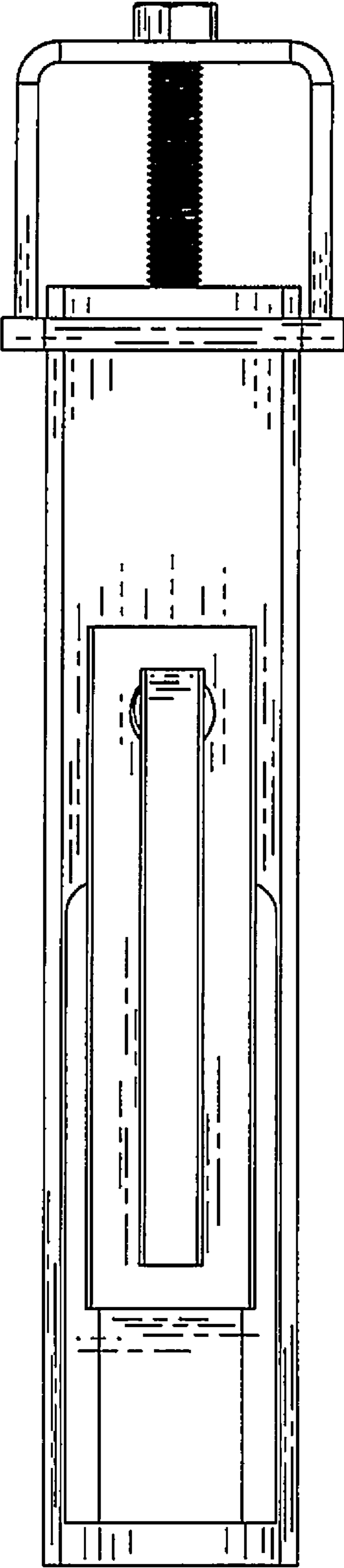


FIG.5

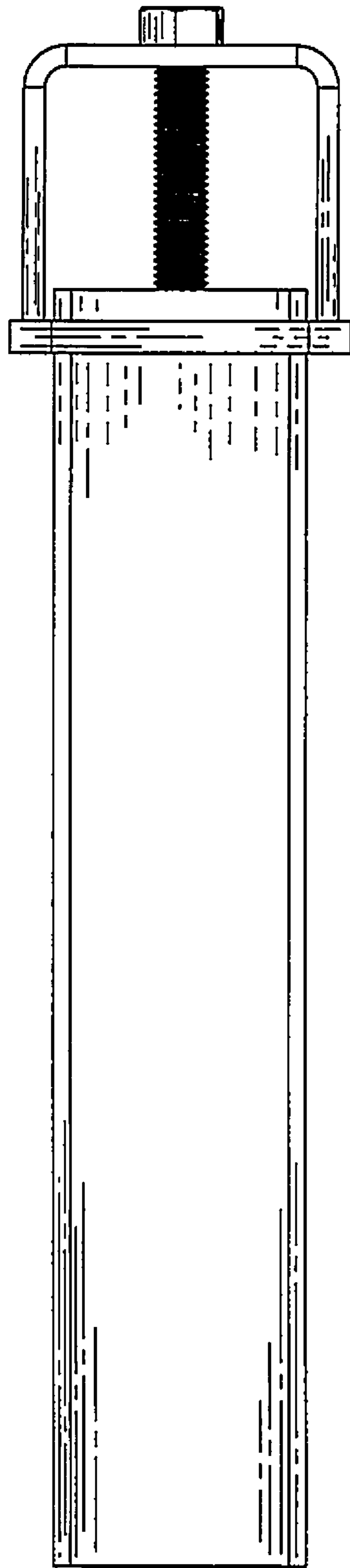


FIG.6

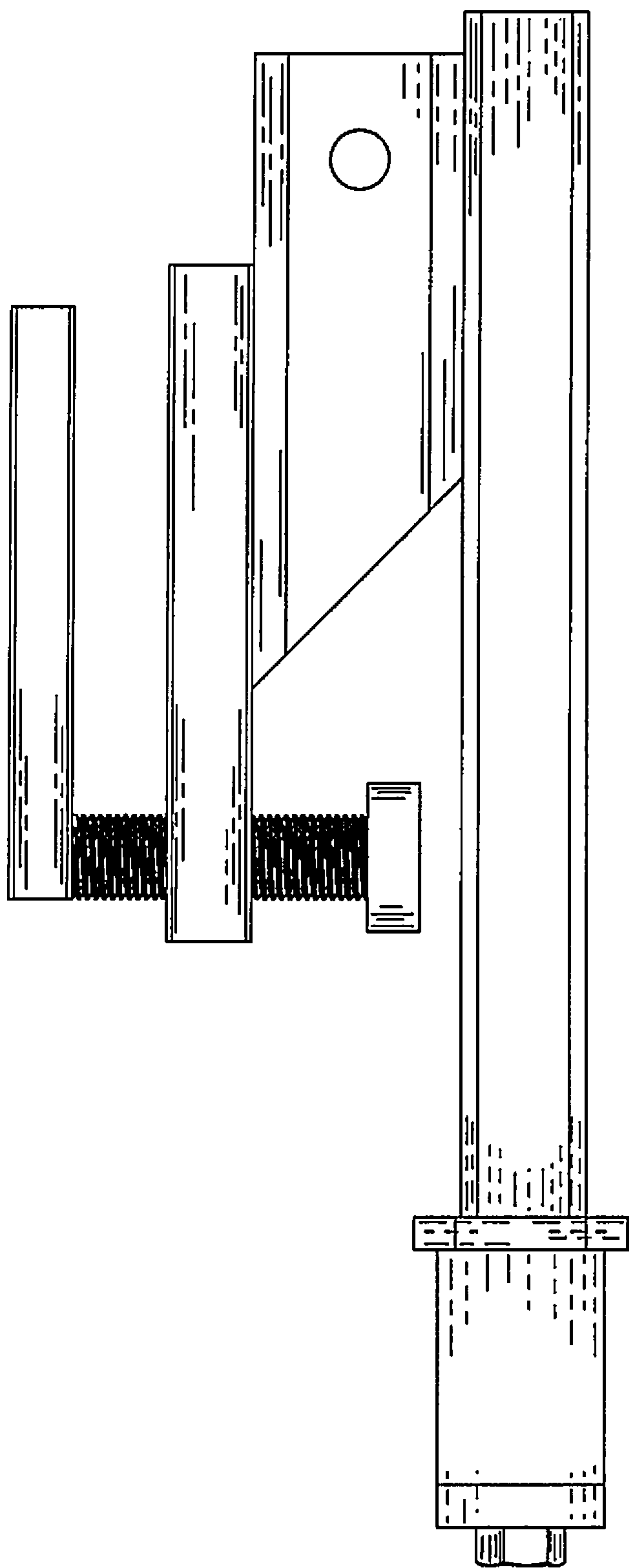


FIG.7