



US00D708549S

(12) **United States Design Patent**
Kao

(10) **Patent No.:** **US D708,549 S**
(45) **Date of Patent:** **** Jul. 8, 2014**

- (54) **HARNESS BUCKLE**
- (75) Inventor: **Chung-Wei Kao**, Keelung (TW)
- (73) Assignee: **JD Square Industrial Co., Ltd.**,
Keelung (TW)
- (**) Term: **14 Years**
- (21) Appl. No.: **29/418,435**
- (22) Filed: **Apr. 17, 2012**
- (51) **LOC (10) Cl.** **02-07**
- (52) **U.S. Cl.**
USPC **D11/234**
- (58) **Field of Classification Search**
USPC D11/200–241, 87; D2/625–629, 976,
D2/946; 24/163 R, 164, 168, 182, 188, 191,
24/194, 631, 638; D30/151–153;
D29/101.1, 101.3, 101.5; 119/858, 863
See application file for complete search history.

D479,812 S *	9/2003	Calvani	D11/234
D523,377 S *	6/2006	Mouquet	D11/234
D525,907 S *	8/2006	Mouquet	D11/234
7,181,808 B1 *	2/2007	Van Winkle	24/191
D543,488 S *	5/2007	Tobergte	D11/234
D571,550 S *	6/2008	Valle	D2/976
D579,820 S *	11/2008	Brown	D11/231
7,617,801 B2 *	11/2009	Wang	24/186
D619,928 S *	7/2010	Bodino et al.	D11/231
7,904,997 B2 *	3/2011	Foubert	24/631
D637,519 S *	5/2011	Coffman	D11/234
8,327,513 B2 *	12/2012	Keene et al.	24/638

* cited by examiner

Primary Examiner — T. Chase Nelson
Assistant Examiner — Mark Cavanna

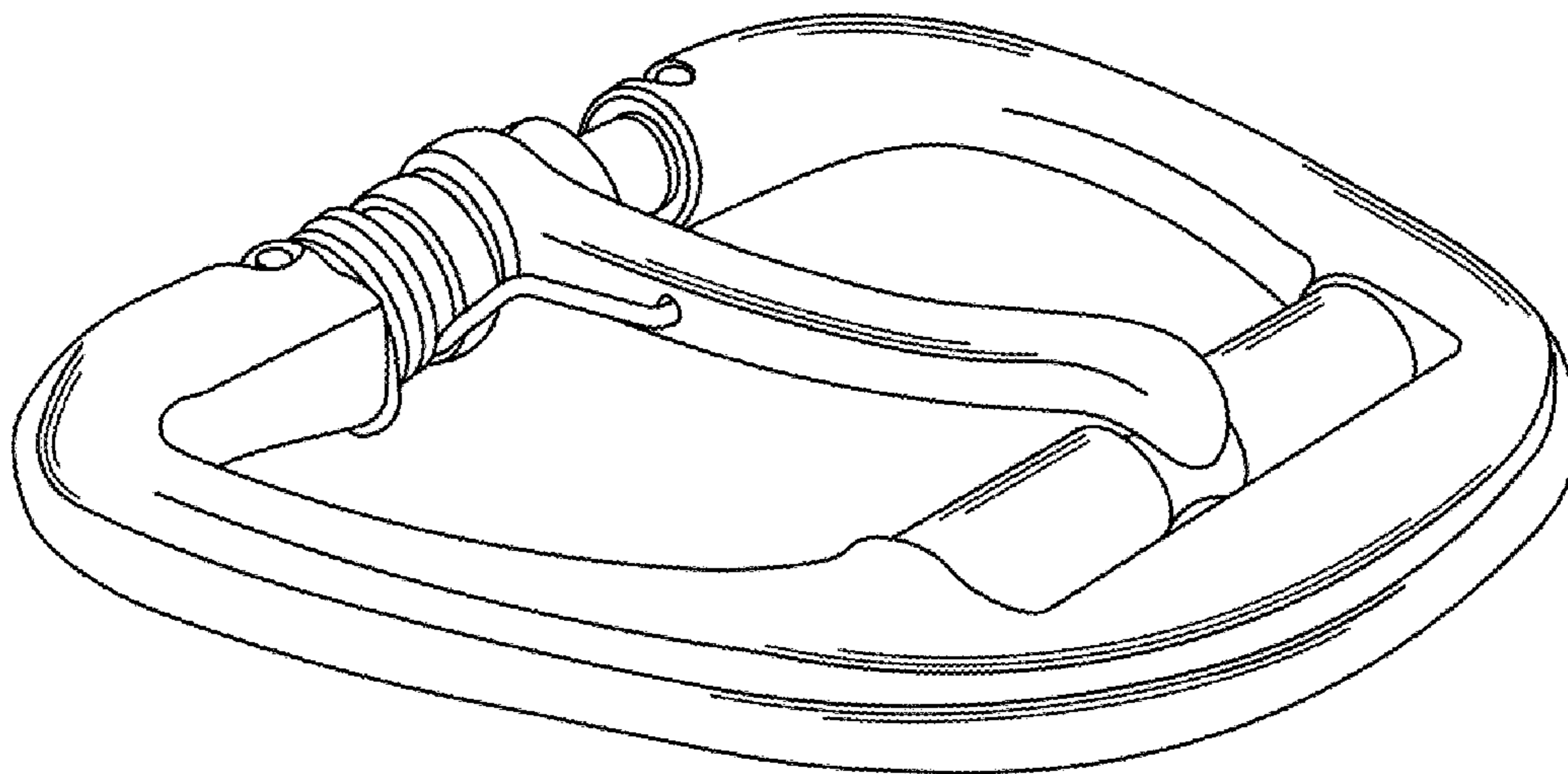
(57) **CLAIM**
The ornamental design for a harness buckle, as shown and described.

DESCRIPTION

FIG. 1 is a perspective view of a harness buckle;
FIG. 2 is a front view thereof;
FIG. 3 is a back view thereof;
FIG. 4 is a left view thereof;
FIG. 5 is a right view thereof;
FIG. 6 is a top view thereof; and,
FIG. 7 is a bottom view thereof.

1 Claim, 5 Drawing Sheets

- (56) **References Cited**
U.S. PATENT DOCUMENTS
- 946,917 A * 1/1910 Hubbard 24/168
- 1,382,469 A * 6/1921 Burris 24/164
- 3,204,314 A * 9/1965 Sokoloff 24/188
- 3,879,810 A * 4/1975 Prete et al. 24/194
- D395,618 S * 6/1998 Cohen et al. D11/218
- D471,328 S * 3/2003 Hanna D11/218



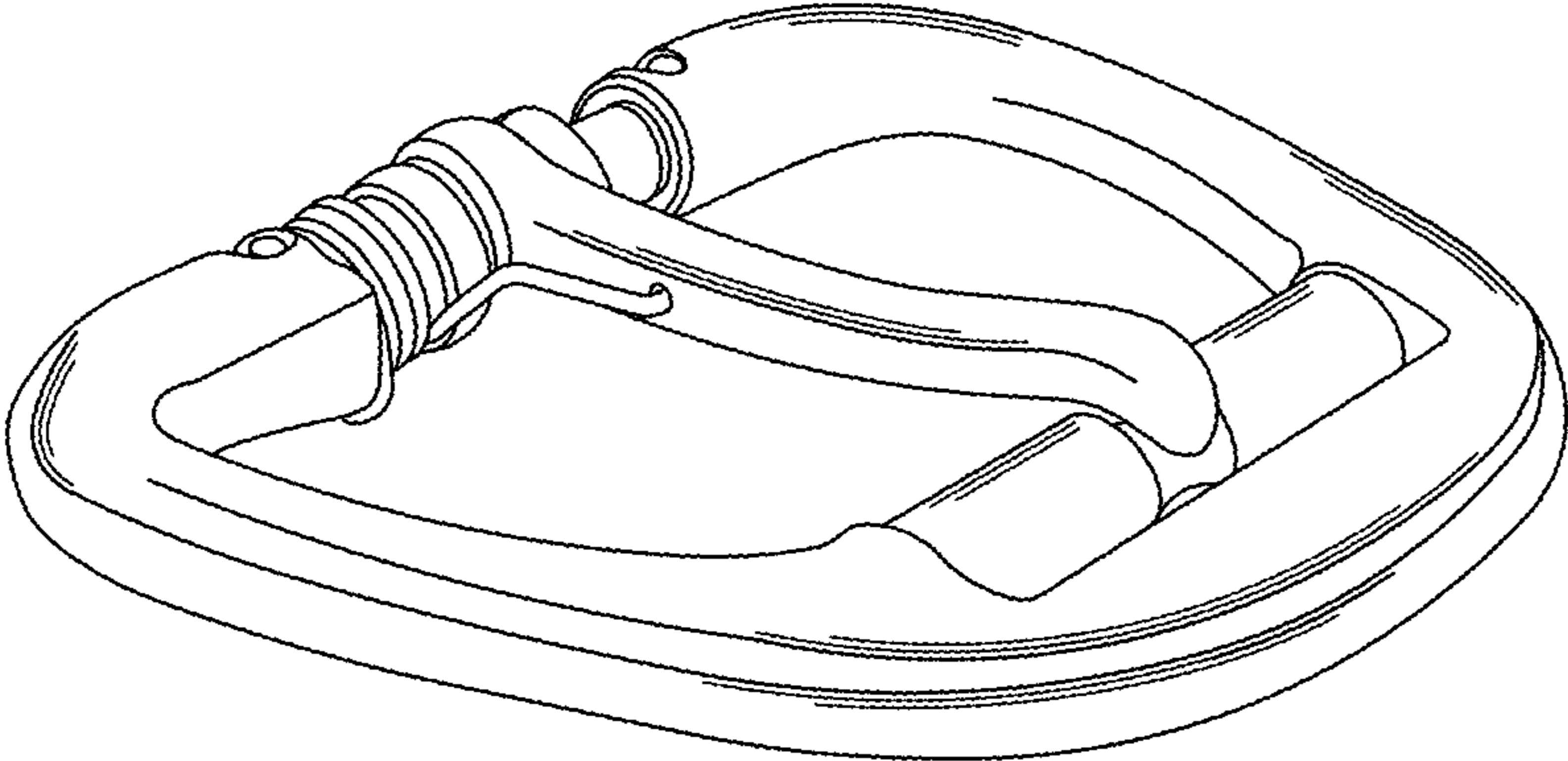


FIG.1

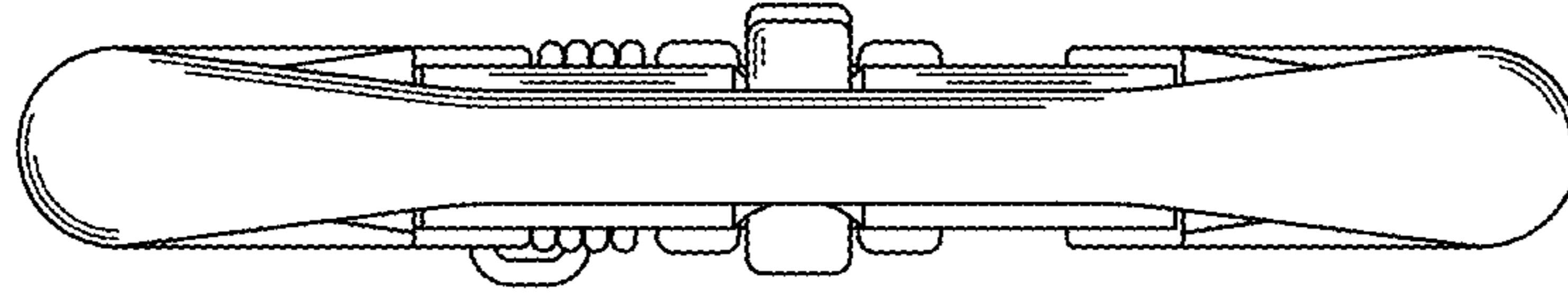


FIG. 2

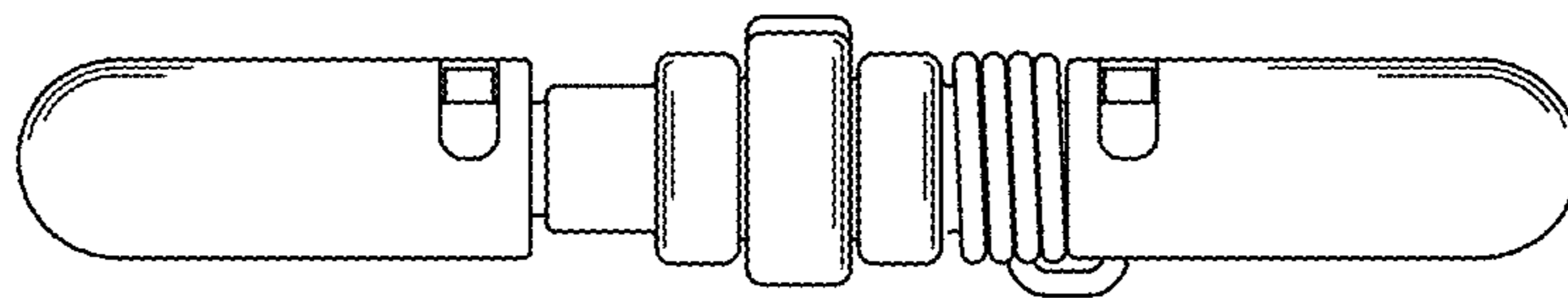


FIG. 3

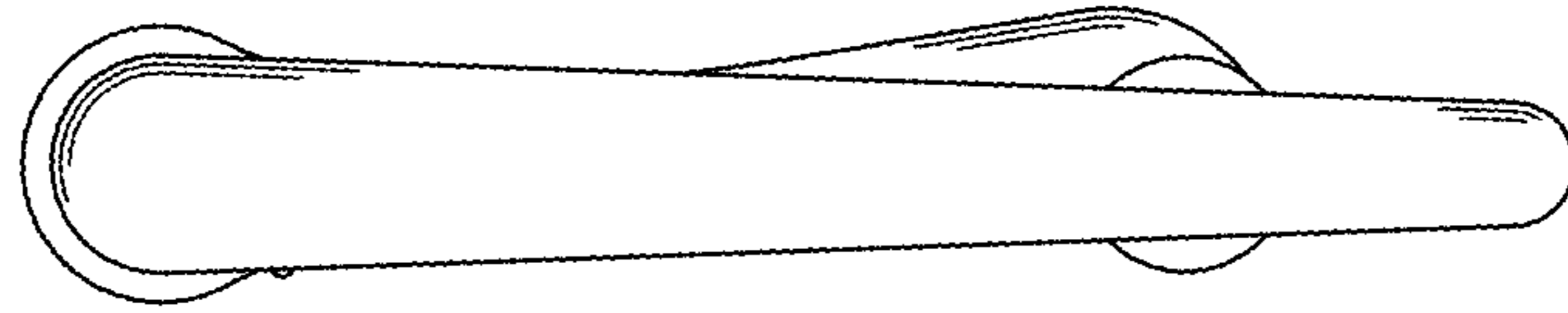


FIG.4

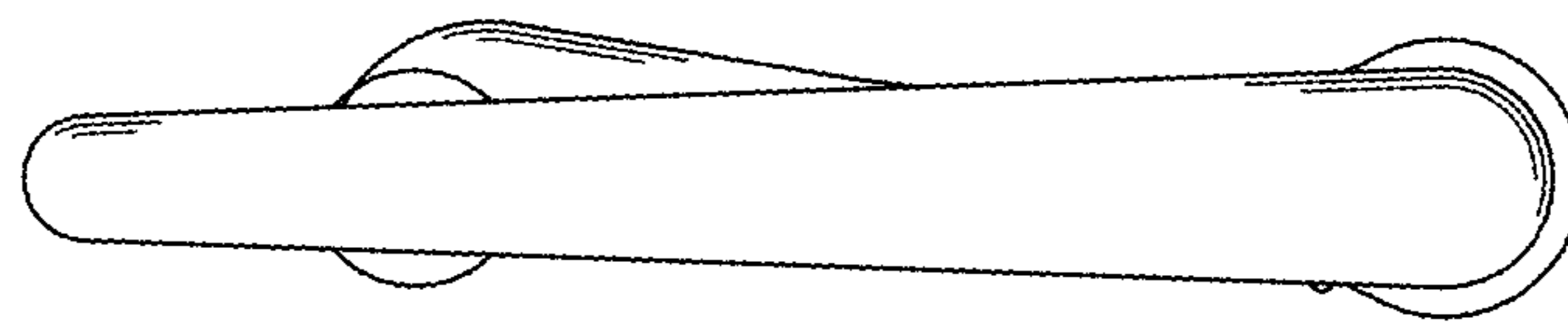


FIG.5

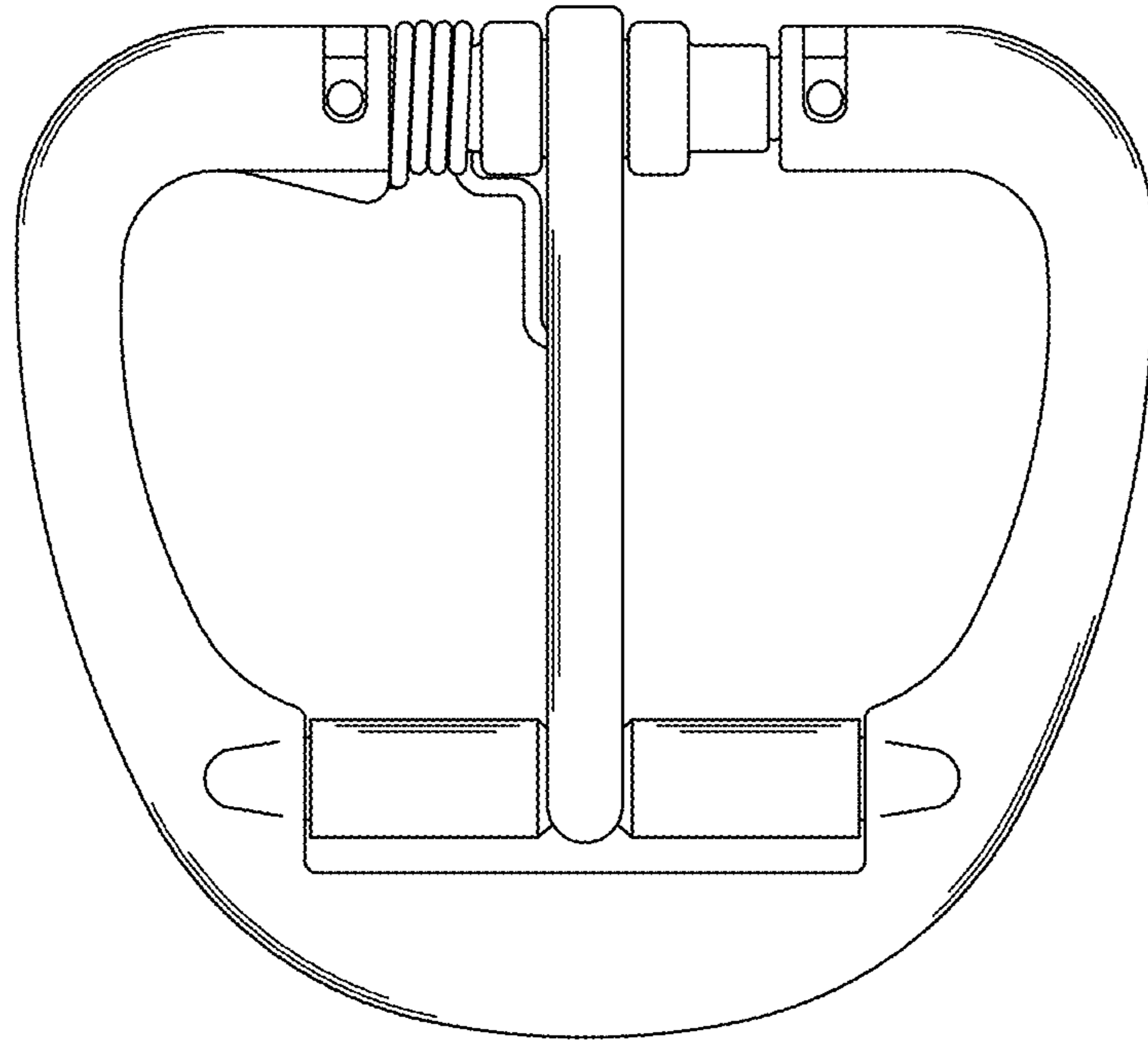


FIG.6

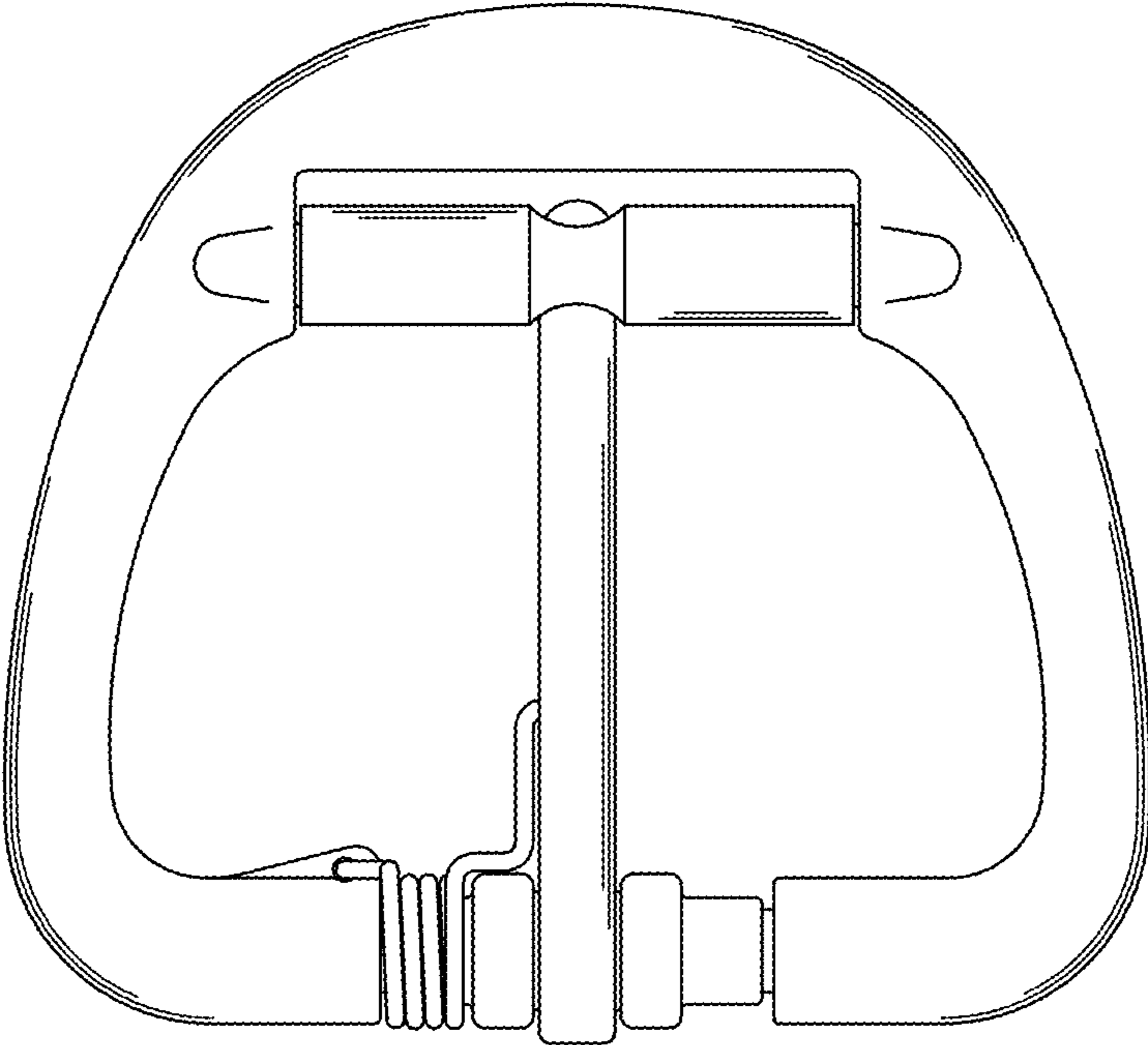


FIG.7