



US00D708548S

(12) **United States Design Patent**
Lasserre

(10) **Patent No.:** **US D708,548 S**
(45) **Date of Patent:** **** Jul. 8, 2014**

(54) **CUFFLINK**

(71) Applicant: **Harry Winston SA**, Plan-les-Ouates
(CH)

(72) Inventor: **Christophe Lasserre**, Vandoeuvres (CH)

(73) Assignee: **Harry Winston SA**, Plan-les-Ouates
(CH)

(**) Term: **14 Years**

(21) Appl. No.: **29/470,606**

(22) Filed: **Oct. 23, 2013**

(30) **Foreign Application Priority Data**

Apr. 24, 2013 (WO) DM/080794

(51) **LOC (10) Cl.** **02-07**

(52) **U.S. Cl.**
USPC **D11/222**

(58) **Field of Classification Search**
USPC D11/30, 200-231; 24/97, 120-103,
24/108, 623, 697.2, 688-690, 662, 381,
24/385, 713.8; 63/20, 12; D8/380,
D8/382-383, 356

See application file for complete search history.

(56) **References Cited**

U.S. PATENT DOCUMENTS

2,665,465	A *	1/1954	Albrecht	24/97
2,793,415	A *	5/1957	Respini	D11/226
D351,815	S *	10/1994	Bennett	D11/222
D366,013	S *	1/1996	Pandel	D11/222
D397,064	S *	8/1998	Nelson	D11/222
D415,068	S *	10/1999	Calvani	D11/222
D479,488	S *	9/2003	Stewart-Stand	D11/226
D561,643	S *	2/2008	Bruni et al.	D11/222
D565,462	S *	4/2008	Stewart-Stand	D11/222
D625,659	S *	10/2010	Sawyer	D11/222
D670,594	S *	11/2012	Yu	D11/30

* cited by examiner

Primary Examiner — T. Chase Nelson

Assistant Examiner — Mark Cavanna

(74) *Attorney, Agent, or Firm* — Donald J. Ranft; Collen IP

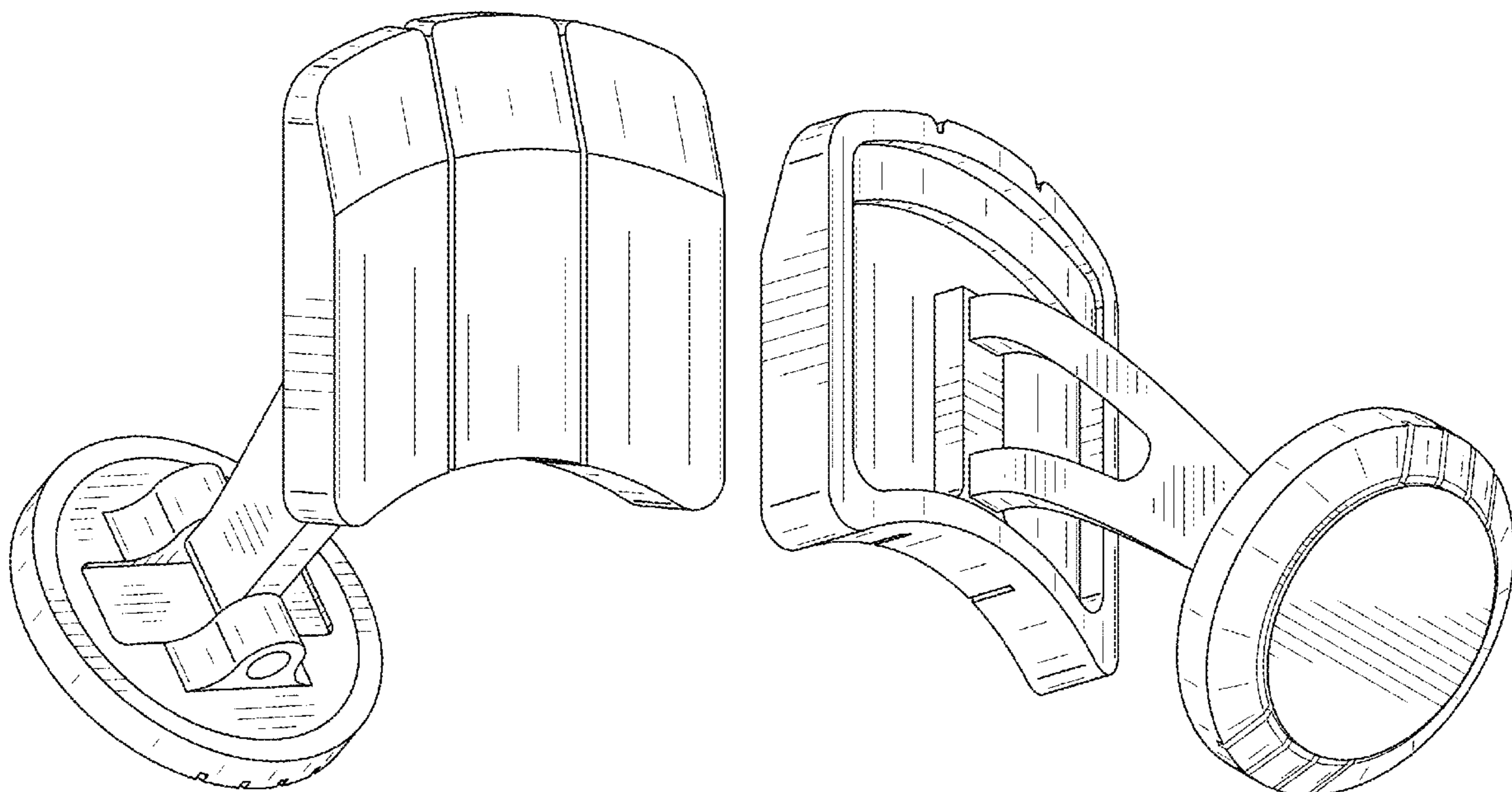
(57) **CLAIM**

The ornamental design for a cufflink, as shown and described.

DESCRIPTION

FIG. 1 is a front left perspective view of a cufflink showing my new design;
FIG. 2 is a bottom right perspective view thereof;
FIG. 3 is a front view thereof;
FIG. 4 is a rear view thereof;
FIG. 5 is a top view thereof;
FIG. 6 is a bottom view thereof; and,
FIG. 7 is a side view thereof.

1 Claim, 4 Drawing Sheets



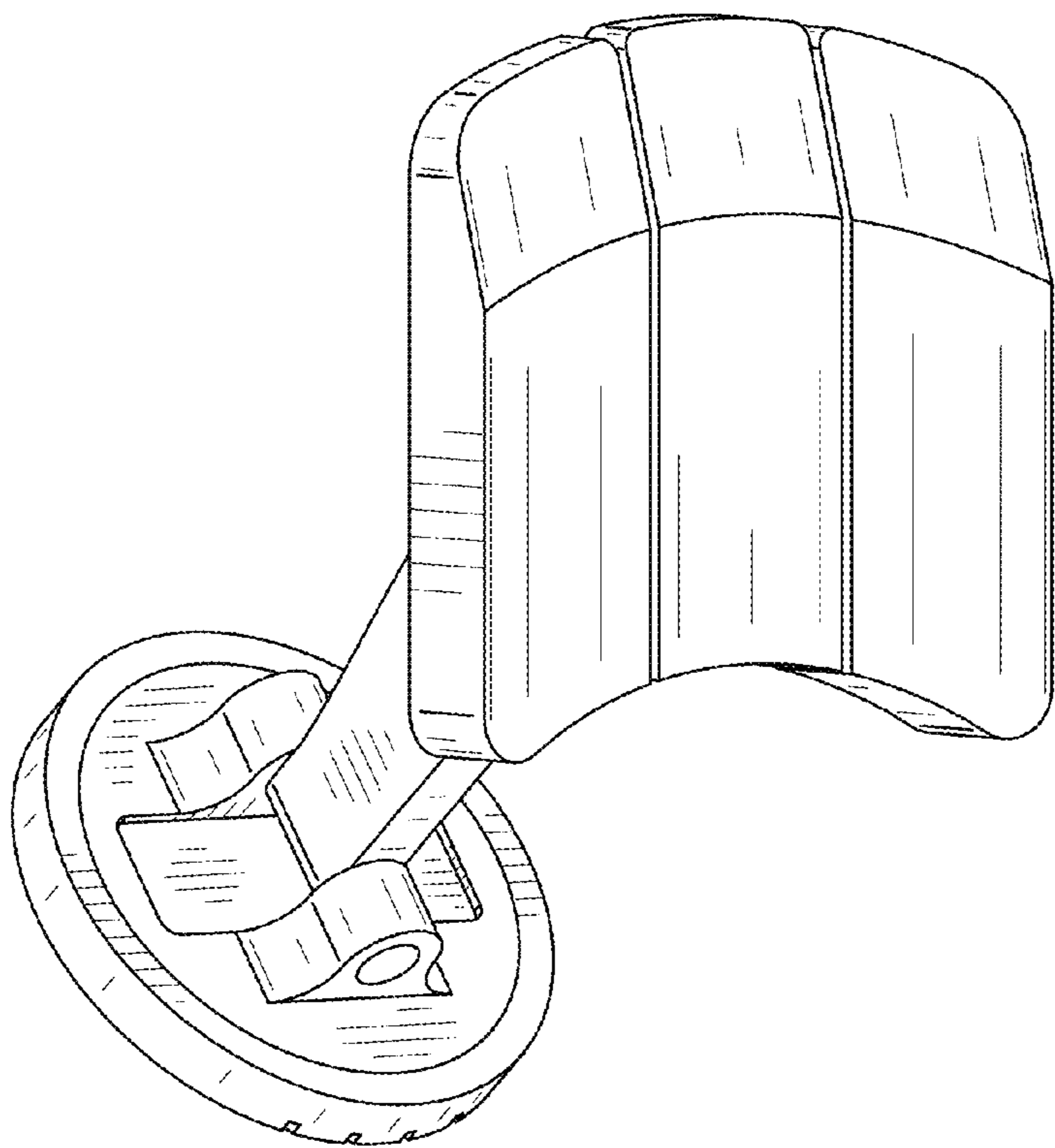


FIG. 1

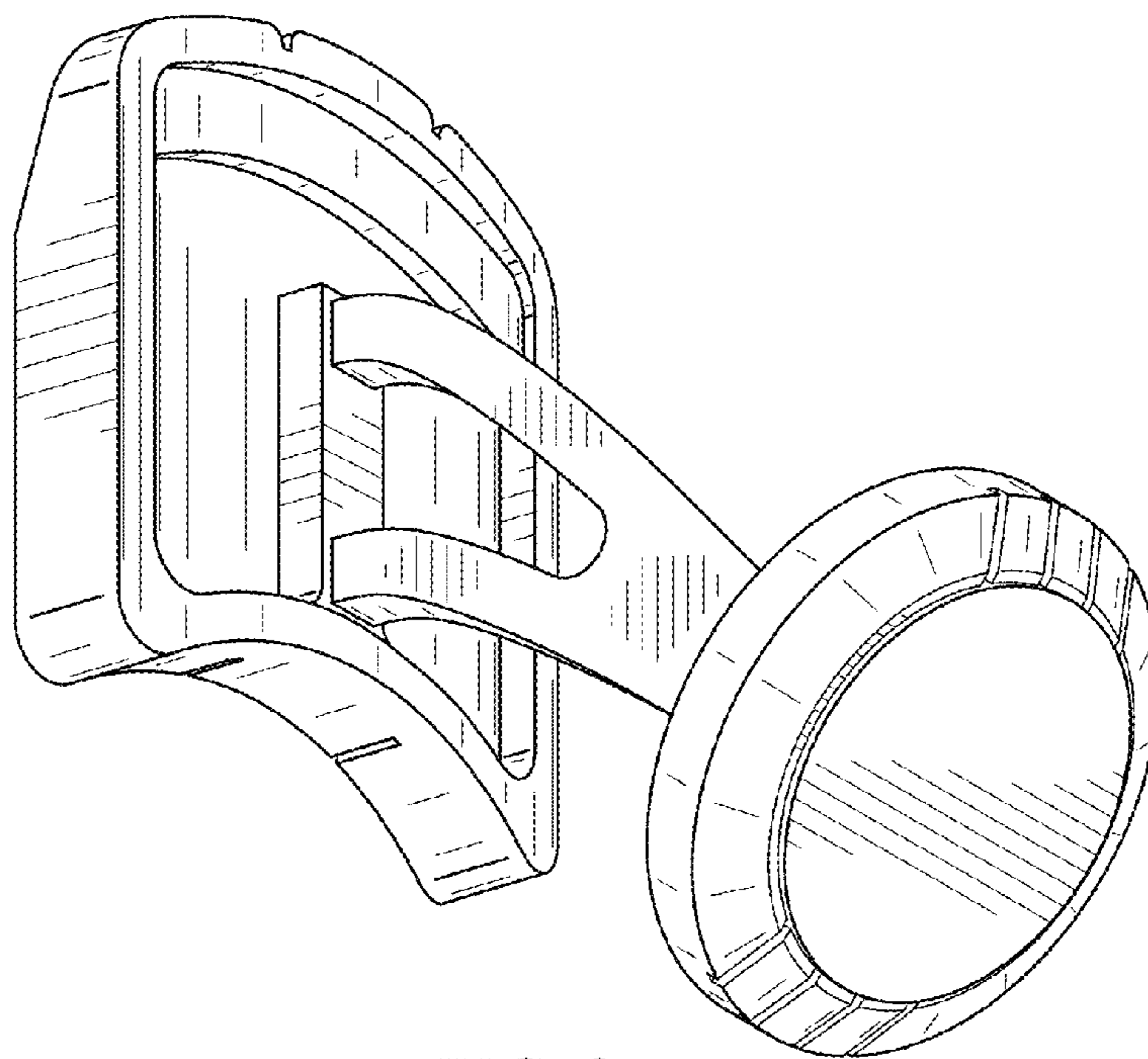


FIG. 2

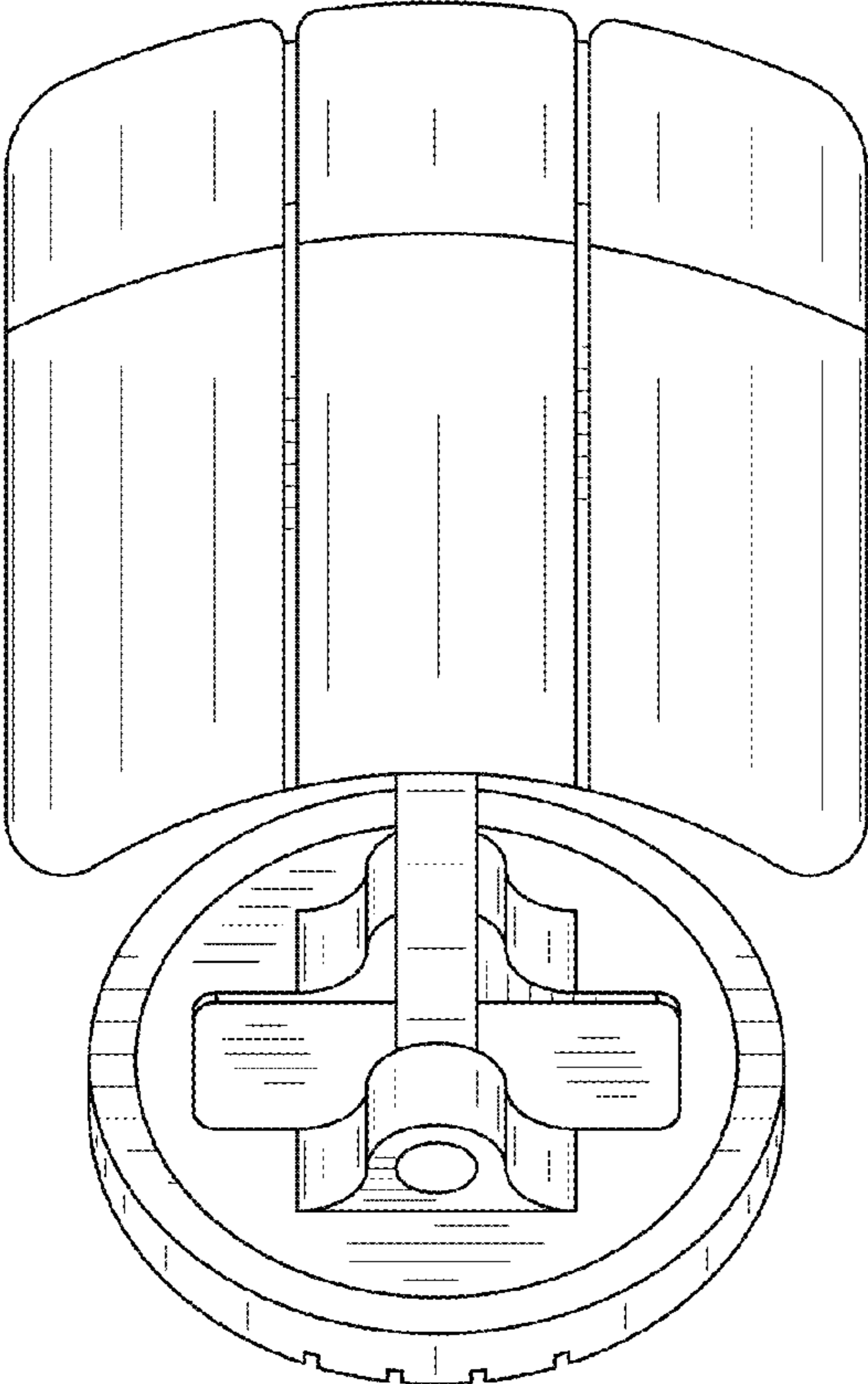


FIG. 3

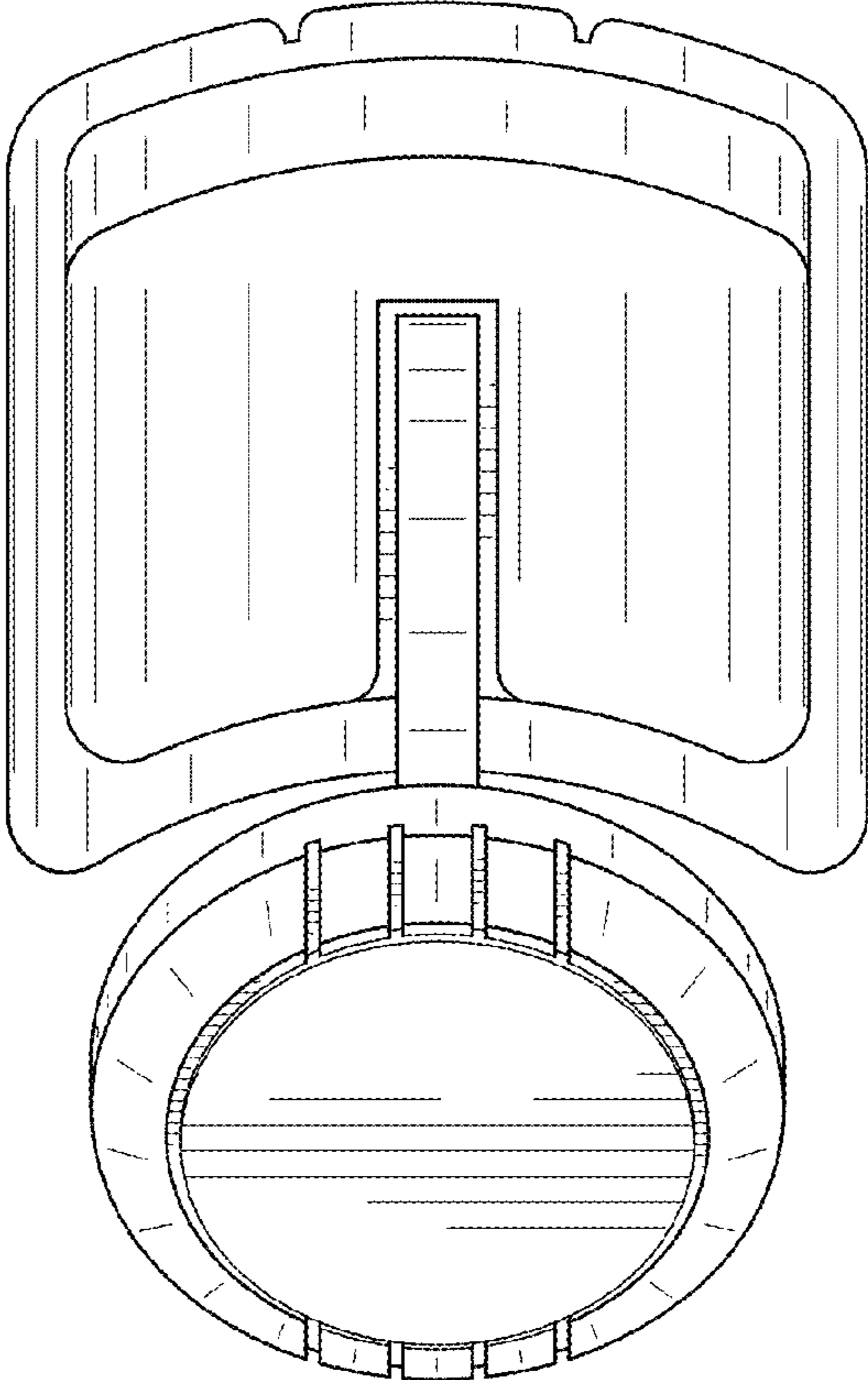


FIG. 4

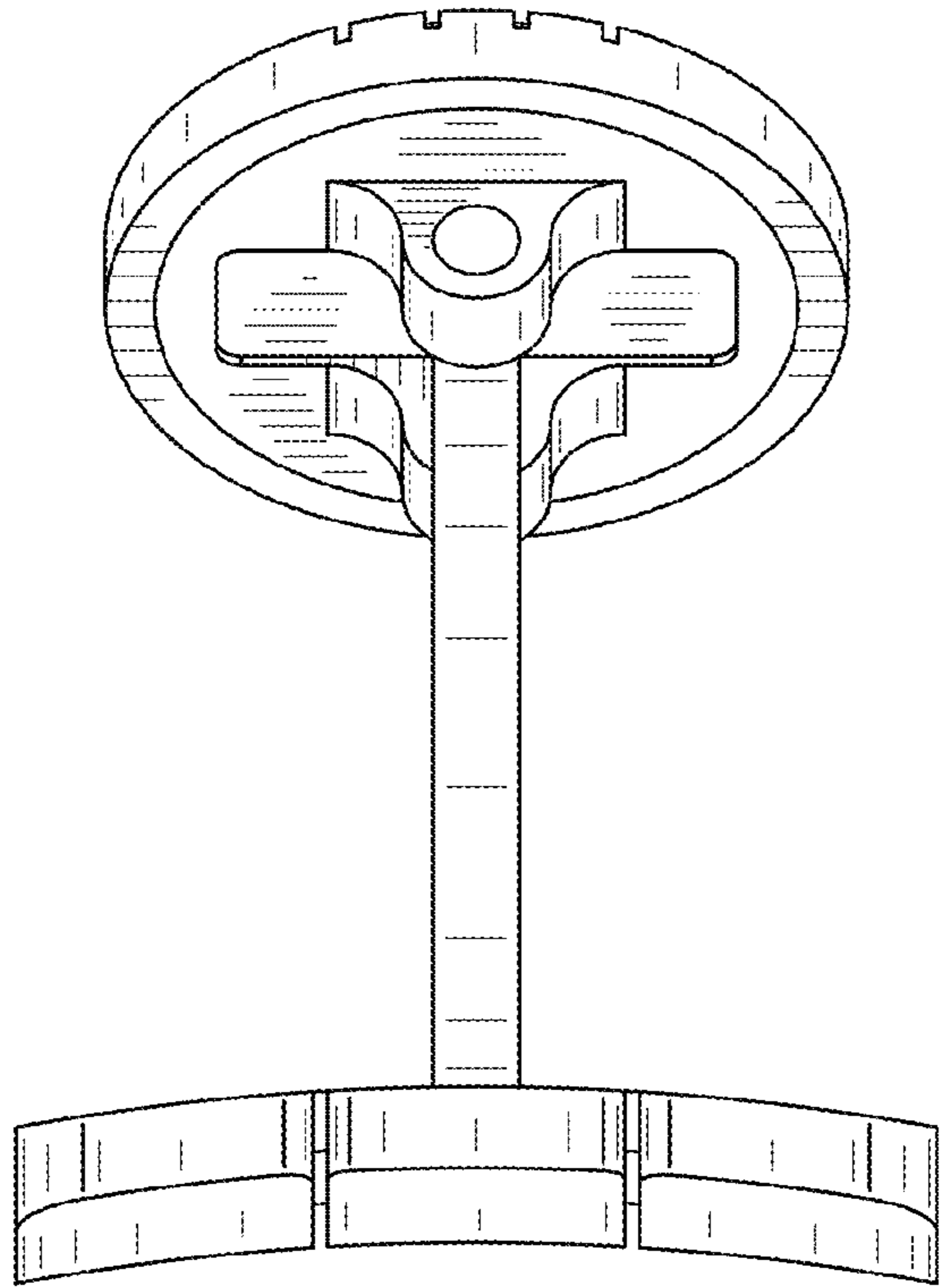


FIG. 5

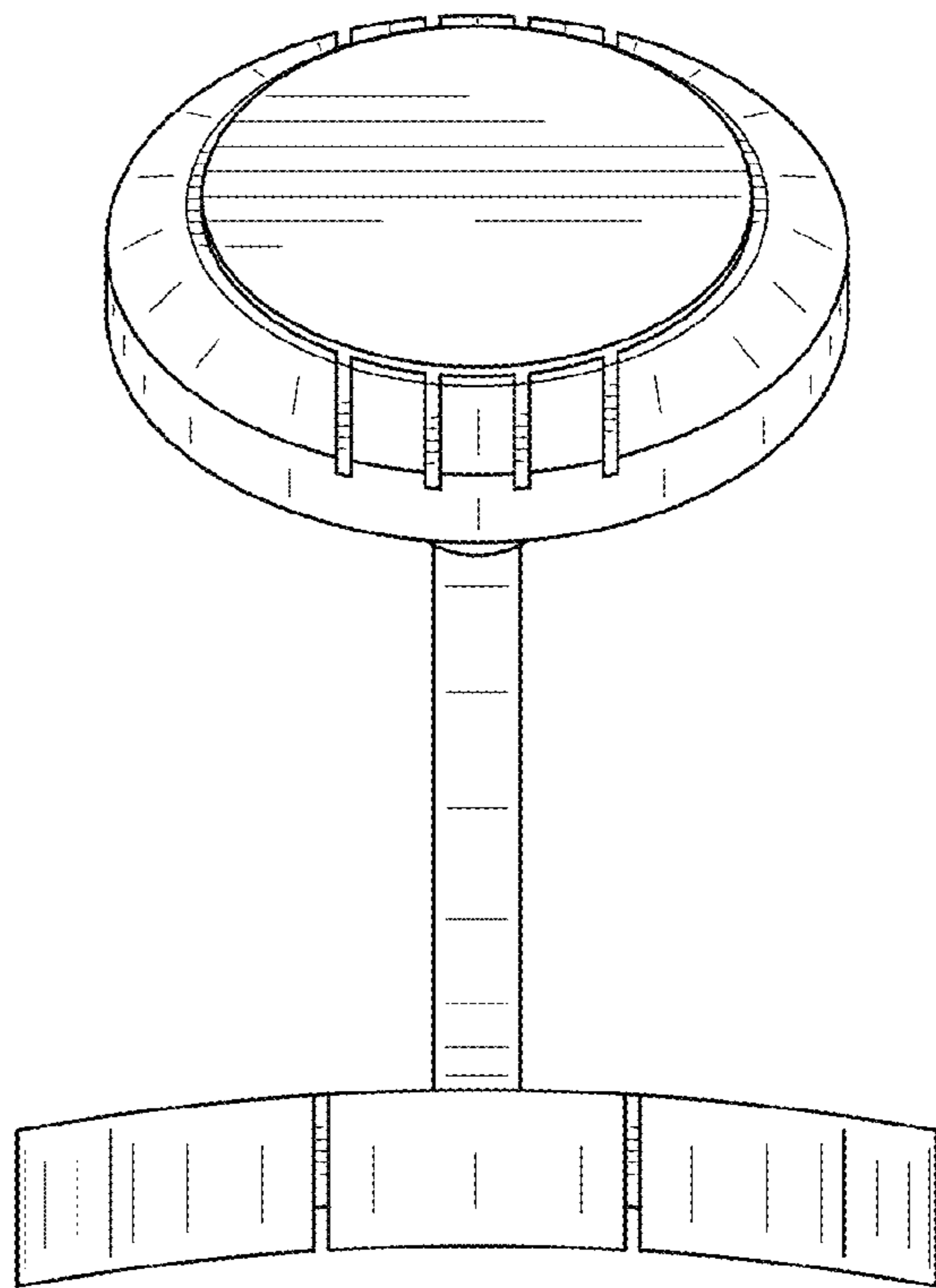


FIG. 6

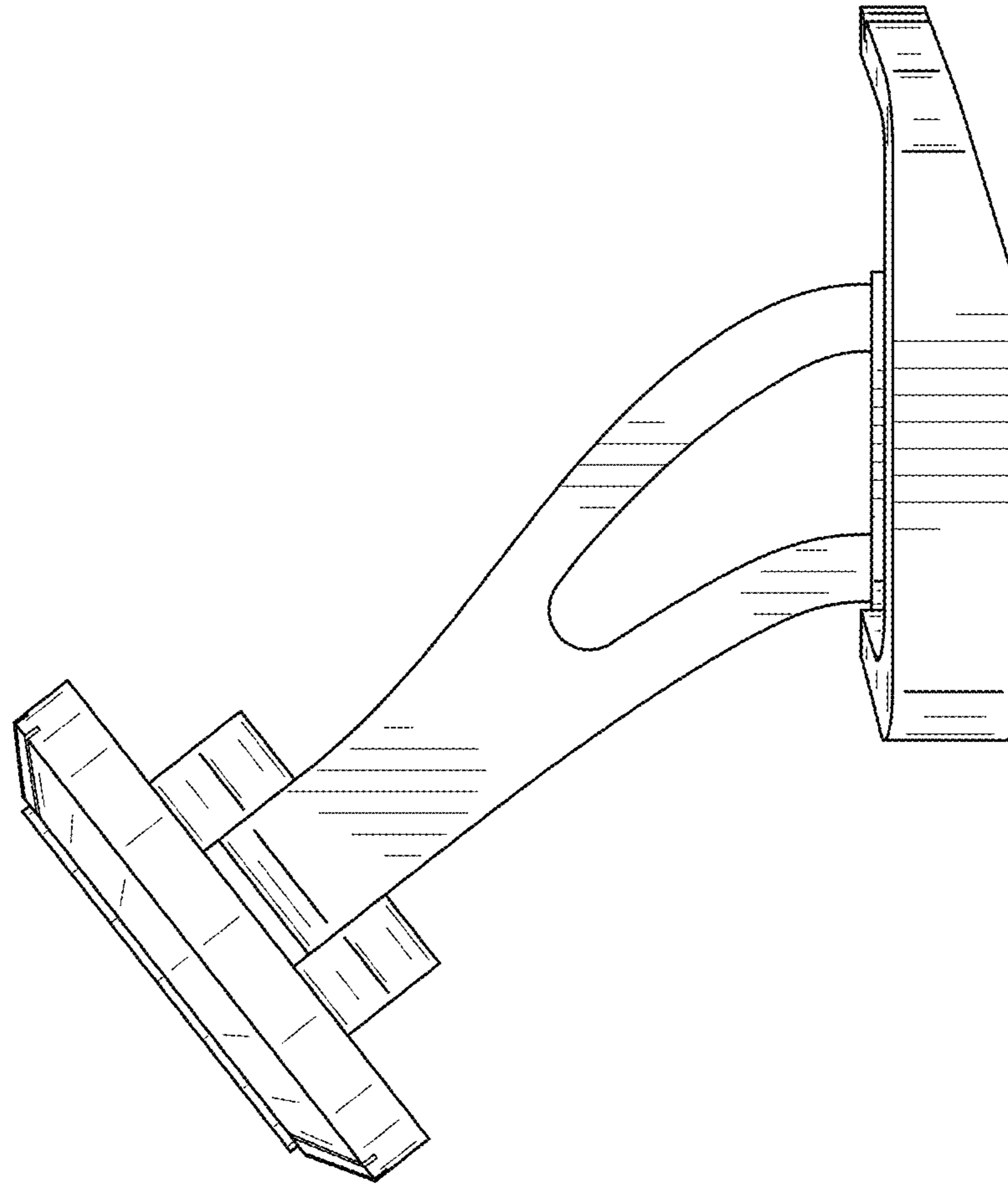


FIG. 7