



US00D708546S

(12) **United States Design Patent**
Hung et al.

(10) **Patent No.:** **US D708,546 S**

(45) **Date of Patent:** **** Jul. 8, 2014**

(54) **SELF-WATERING PLANTER**

(71) Applicant: **Ames True Temper, Inc.**, Camp Hill, PA (US)

(72) Inventors: **Chun Wai Hung**, Dillsburg, PA (US);
Hamilton Scott Team, Loganville, GA (US)

(73) Assignee: **The Ames Companies, Inc.**, Camp Hill, PA (US)

(**) Term: **14 Years**

(21) Appl. No.: **29/440,853**

(22) Filed: **Dec. 28, 2012**

(51) **LOC (10) Cl.** **11-02**

(52) **U.S. Cl.**
USPC **D11/151**

(58) **Field of Classification Search**
USPC D6/403-405, 556-558; D11/143-156,
D11/164; D19/77, 80, 81, 84; D26/9-11,
D26/16, 19; D34/1, 2, 4-6; D99/5, 19;
47/17, 32.7, 33, 39, 41.01, 41.1,
47/41.11-41.15, 44-47, 63, 65.5, 65.9,
47/66.1, 66.2, 66.6, 66.7, 67-71

See application file for complete search history.

(56) **References Cited**

U.S. PATENT DOCUMENTS

4,092,804	A	6/1978	Morris et al.	
4,299,055	A	11/1981	Dziewulski et al.	
4,442,629	A	4/1984	Anderson	
D313,203	S *	12/1990	Carlson	D11/153
D331,549	S *	12/1992	Embree	D11/153
D340,674	S *	10/1993	Carlson	D11/152

D346,135	S *	4/1994	Carlson	D11/153
D352,479	S *	11/1994	Carlson	D11/153
D368,234	S *	3/1996	Dickinson et al.	D11/152
D369,760	S *	5/1996	Sanderson	D11/152
D382,512	S *	8/1997	Hulsebus	D11/152
D384,907	S	10/1997	Moskowitz	
D395,411	S *	6/1998	Grebert	D11/153
D436,887	S *	1/2001	Fan	D11/152

(Continued)

OTHER PUBLICATIONS

Self-Watering Planter by Mainstays dated Jun. 11, 2011. found online Jan. 6, 2013 <http://www.walmart.com/ip/Mainstays-5.2-Self-Watering-Planter/16630836>.*

(Continued)

Primary Examiner — Robert M Spear

Assistant Examiner — Marissa Cash

(74) *Attorney, Agent, or Firm* — Eckert Seamans Cherin & Mellott, LLC; David C. Jenkins

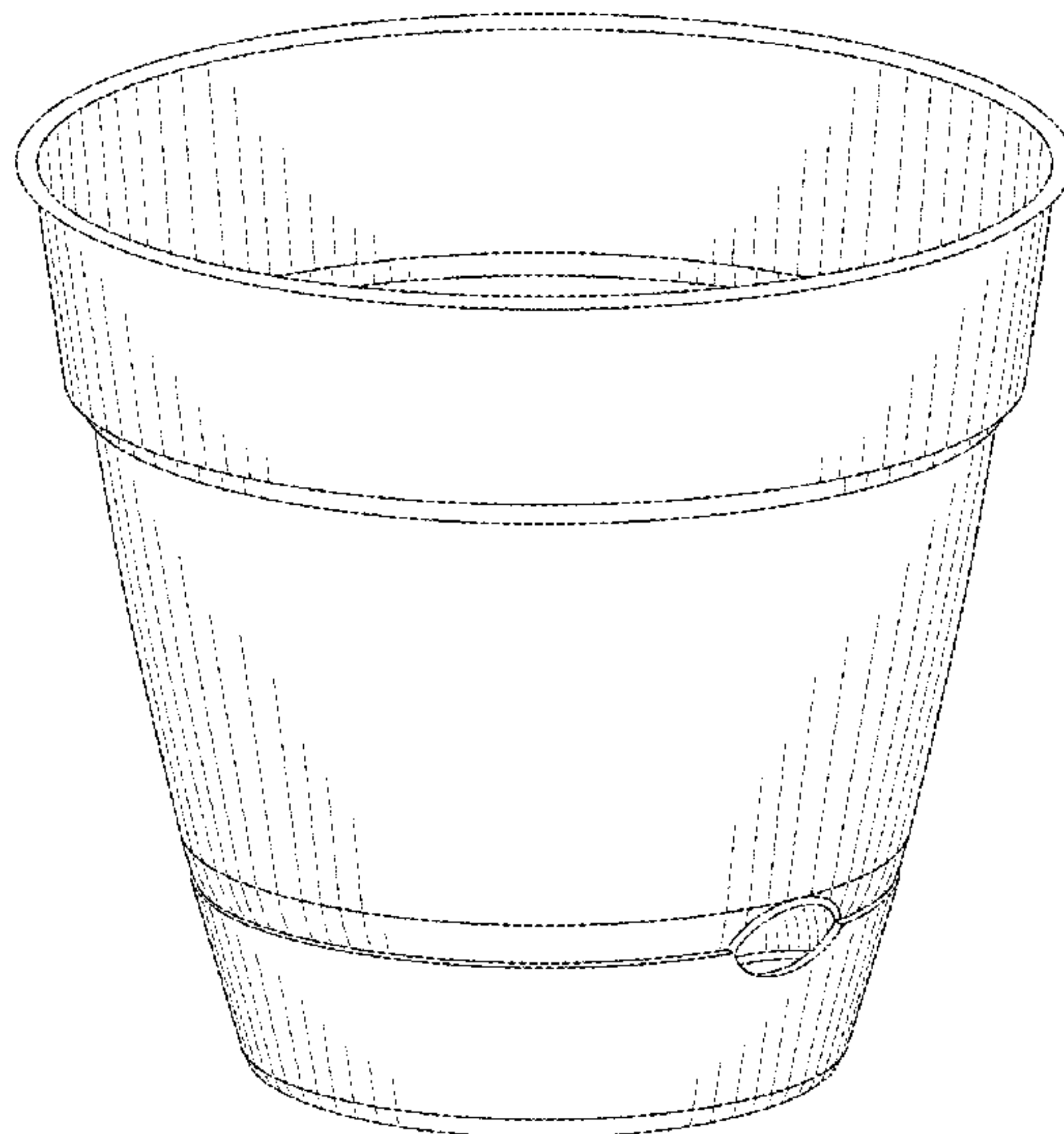
(57) **CLAIM**

The ornamental design for a self-watering planter, as shown and described.

DESCRIPTION

FIG. 1 is an isometric view of a self-watering planter; FIG. 2 is a front side view of a self-watering planter; FIG. 3 is a back side view of a self-watering planter; FIG. 4 is a right side view of a self-watering planter; FIG. 5 is a left side view of a self-watering planter; FIG. 6 is a top view of a self-watering planter; and, FIG. 7 is a bottom view of a self-watering planter. The broken lines in the drawing depict environmental subject matter only and form no part of the claimed design.

1 Claim, 4 Drawing Sheets



(56)

References Cited

OTHER PUBLICATIONS

U.S. PATENT DOCUMENTS

D461,742 S * 8/2002 Carlson D11/152
D564,394 S * 3/2008 Schmidt D11/152
D594,775 S * 6/2009 Moreau D11/152

Chun Wai Hung et al., "Self-Watering Planter," U.S. Appl. No. 29/418,200, filed Apr. 13, 2012, and Filing Receipt, 8 pages.

* cited by examiner

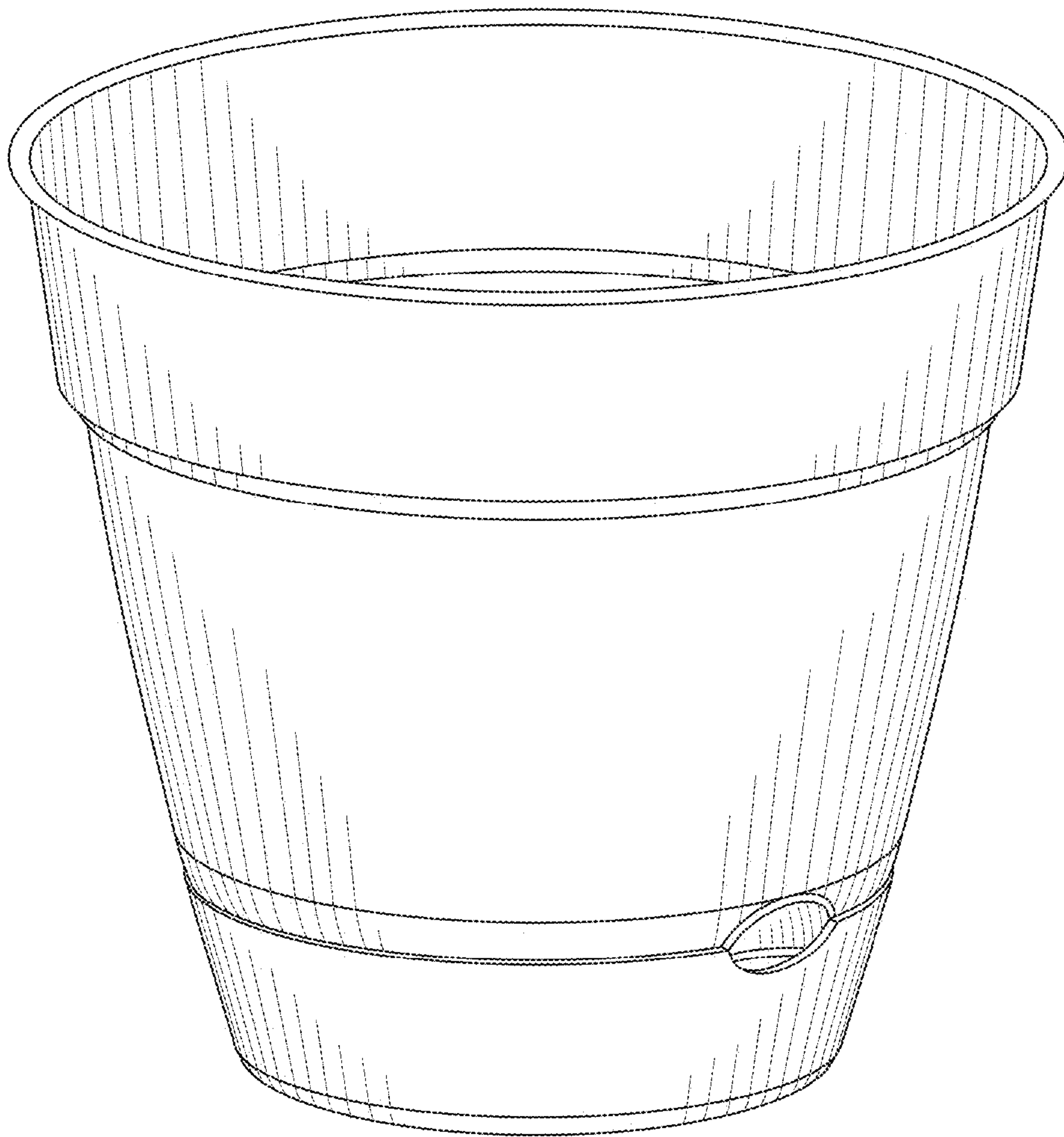


FIG. 1

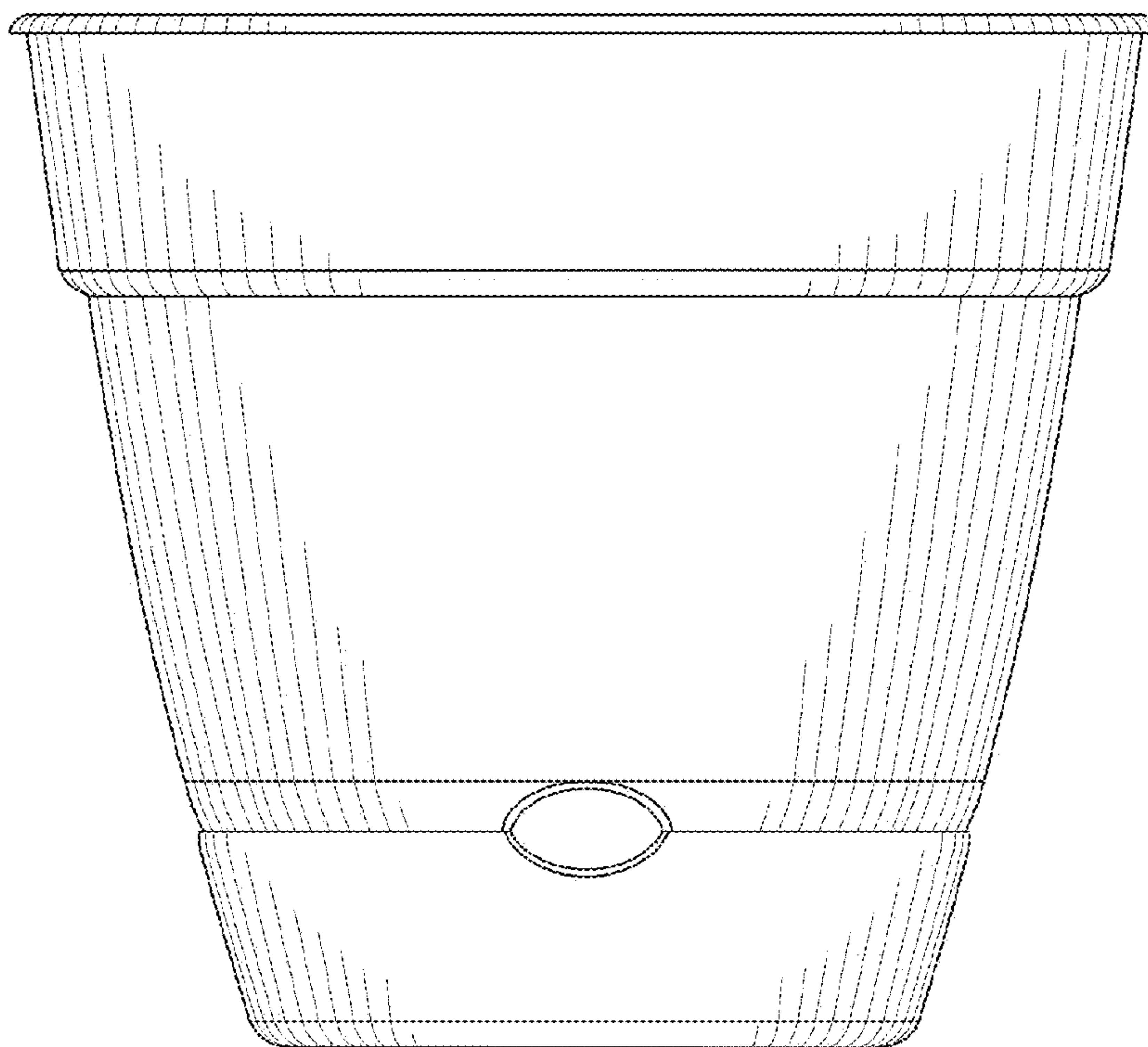


FIG. 2

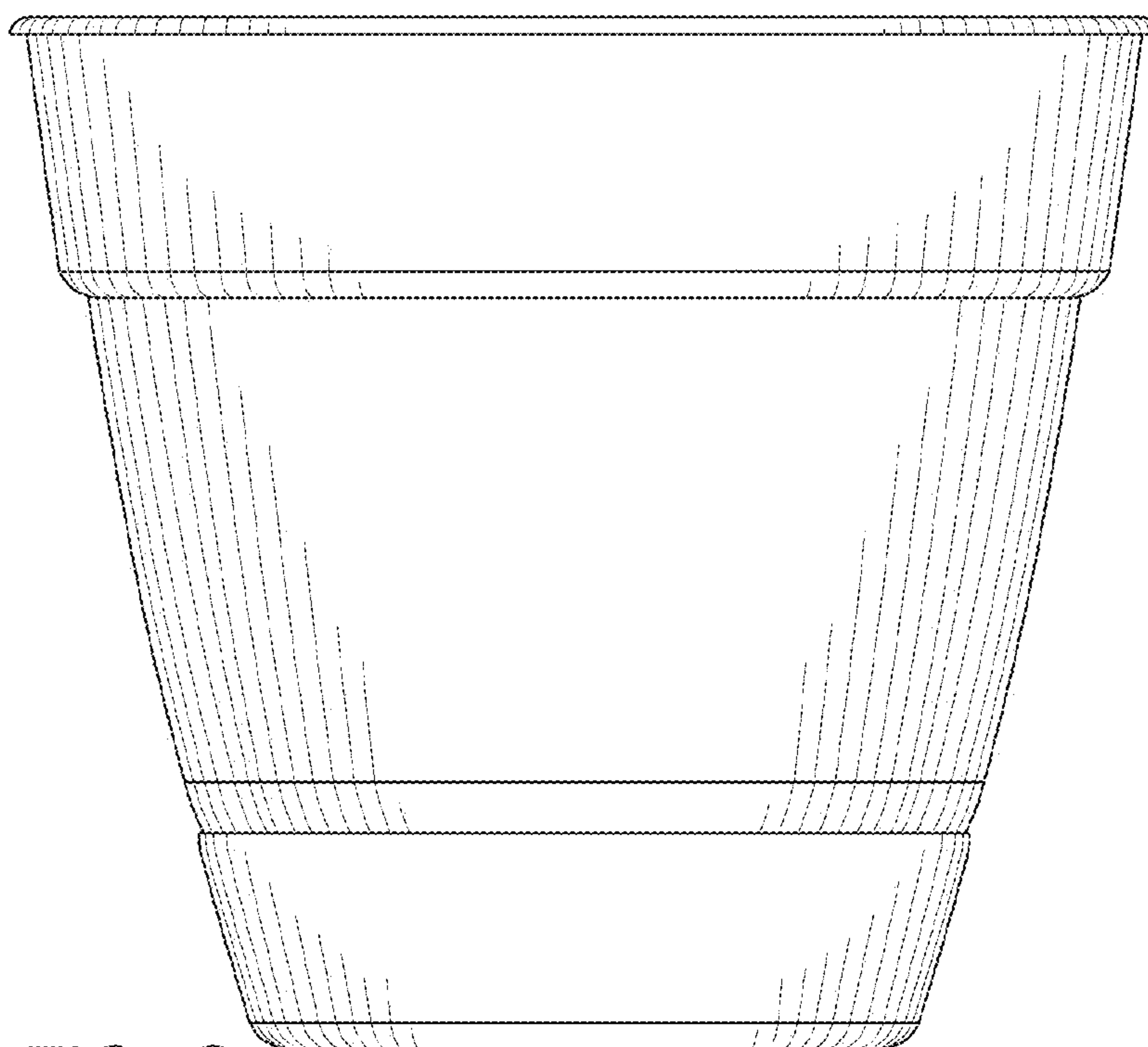


FIG. 3

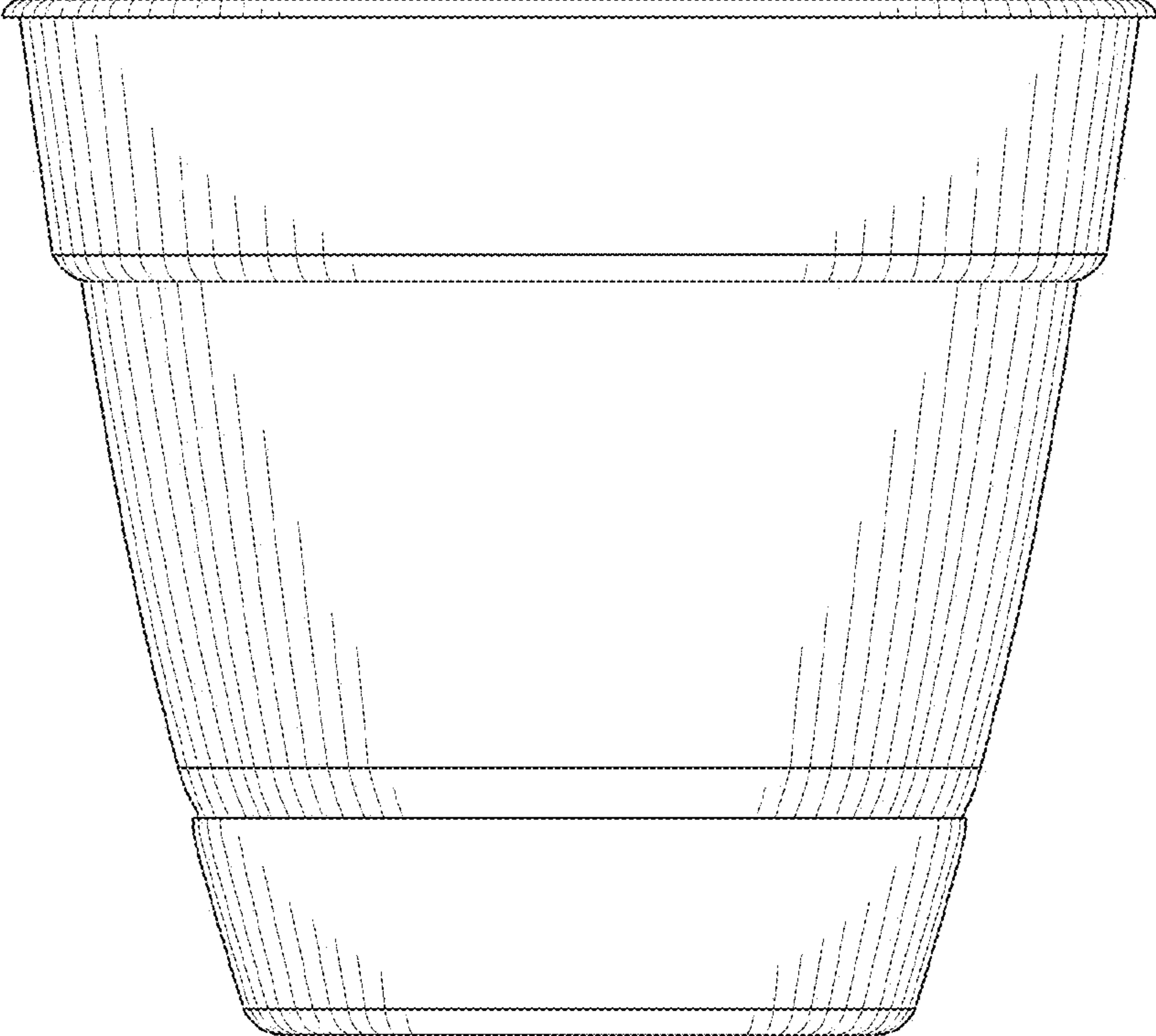


FIG. 4

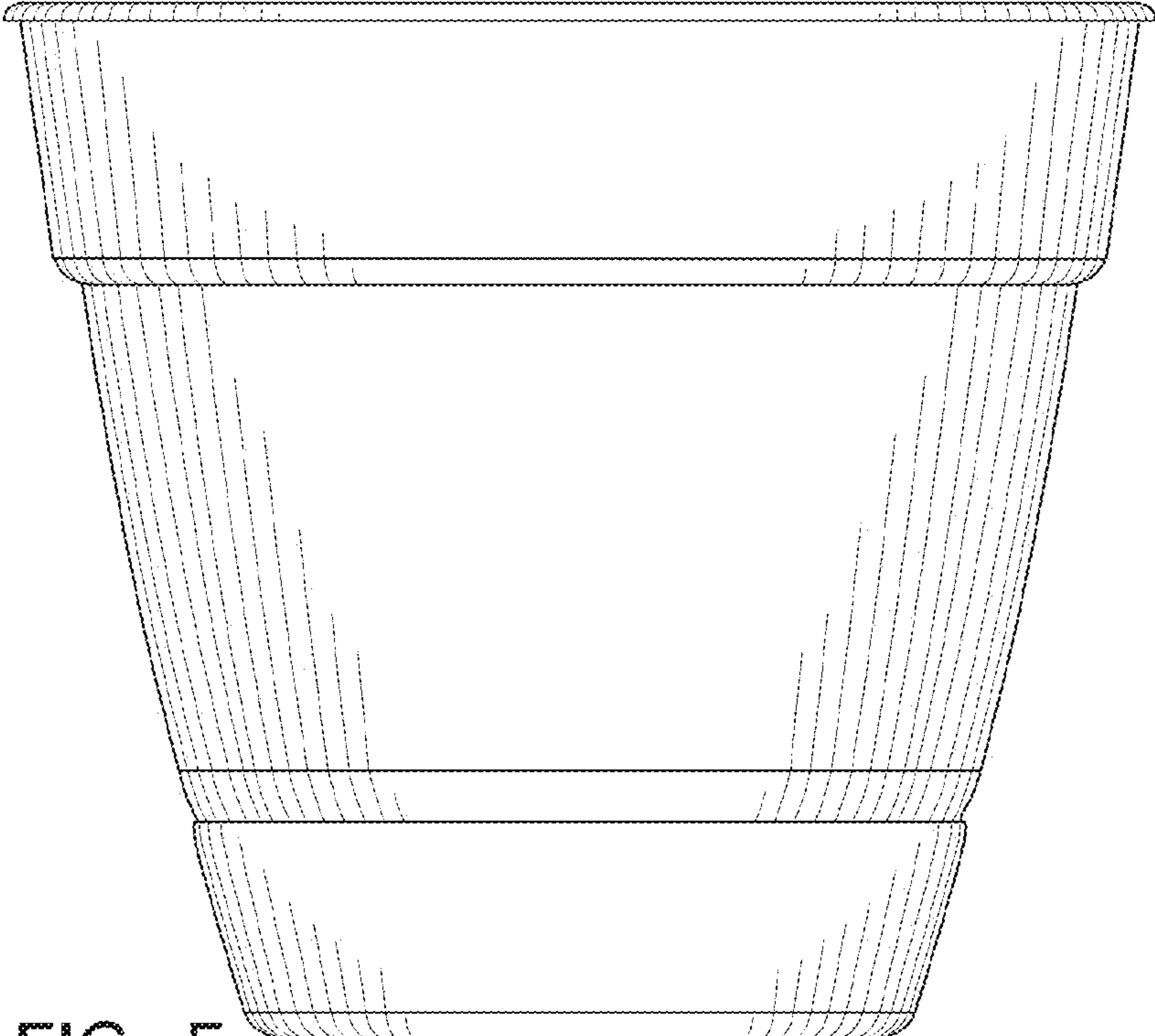


FIG. 5

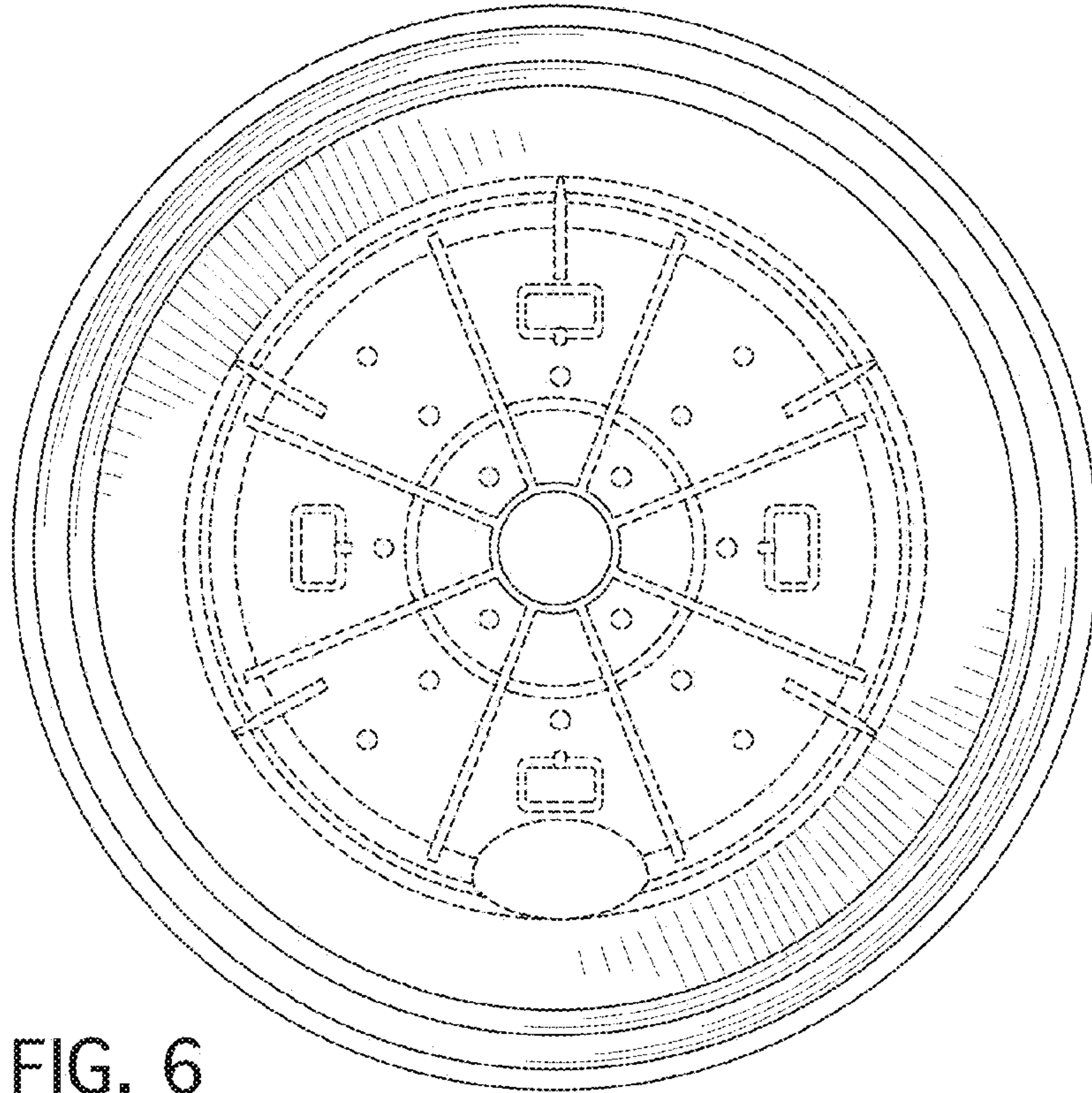


FIG. 6

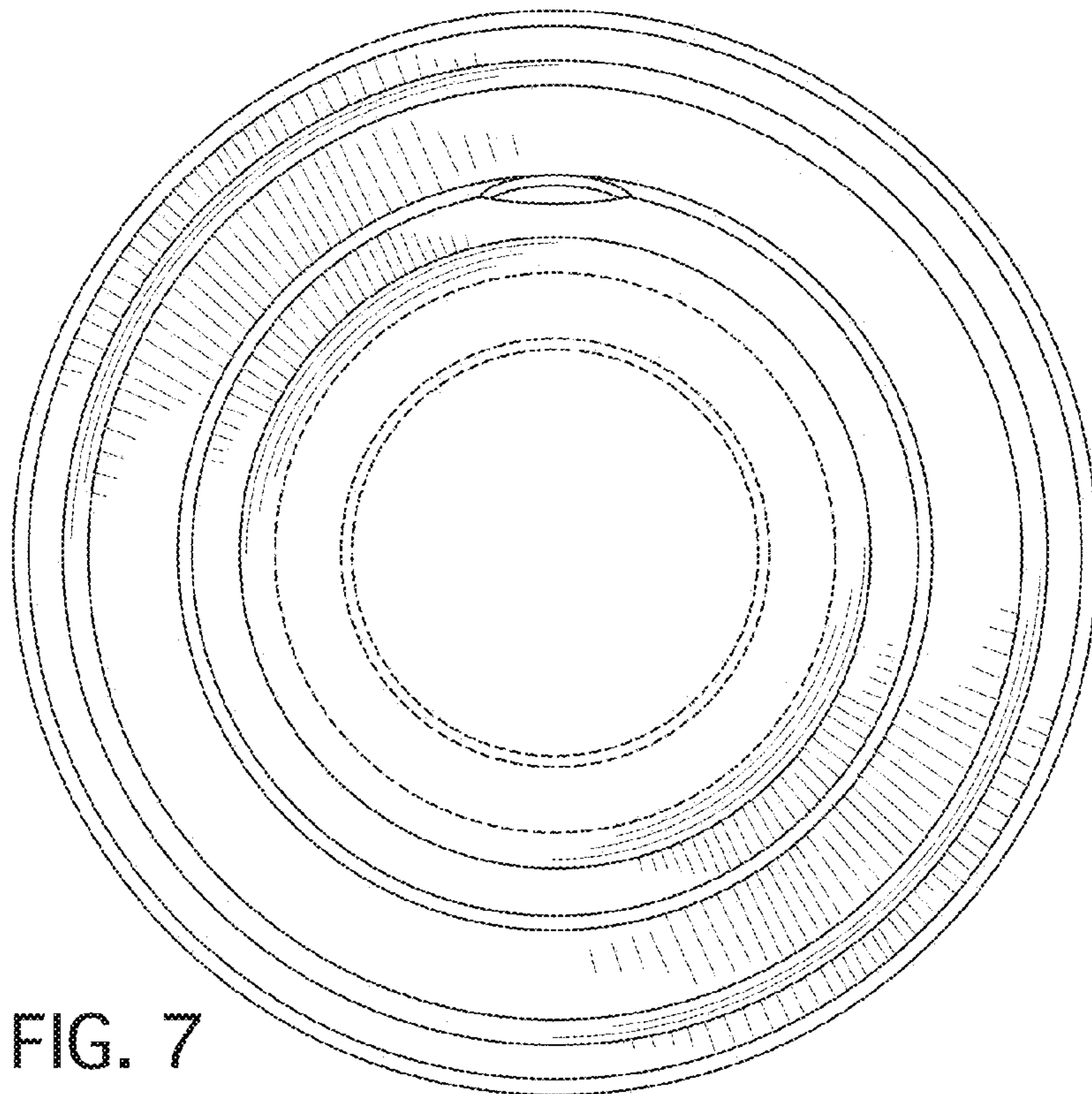


FIG. 7