



US00D708536S

(12) **United States Design Patent**
Lyhne

(10) **Patent No.:** **US D708,536 S**

(45) **Date of Patent:** **** Jul. 8, 2014**

(54) **BOLLARD**

(71) Applicant: **Thorn Europhane S.A.**, Les Andelys (FR)

(72) Inventor: **Morten Lyhne**, Graested (DK)

(73) Assignee: **Thorne Europhane S.A.**, Les Andelys (FR)

(**) Term: **14 Years**

(21) Appl. No.: **29/456,677**

(22) Filed: **Jun. 3, 2013**

(30) **Foreign Application Priority Data**

Dec. 11, 2012 (EM) 001354336

(51) **LOC (10) Cl.** **10-05**

(52) **U.S. Cl.**
USPC **D10/113.2**

(58) **Field of Classification Search**
USPC D10/109.1, 13.3, 113.2; 404/6, 9, 10;
116/200; D26/68; 362/276
See application file for complete search history.

(56) **References Cited**

U.S. PATENT DOCUMENTS

D443,094 S * 5/2001 Landefeld D26/68
D572,397 S * 7/2008 Skogg et al. D26/68
D597,697 S * 8/2009 Sabernig D26/68

D607,592 S * 1/2010 Skogg et al. D26/68
D657,087 S * 4/2012 Krogman D26/68
D660,492 S * 5/2012 Williams et al. D26/68
D675,766 S * 2/2013 Guercio et al. D26/68
8,366,301 B2 * 2/2013 Hudson et al. 362/276
2014/0043798 A1 * 2/2014 Krogman 362/152

* cited by examiner

Primary Examiner — George D Kirschbaum

(74) *Attorney, Agent, or Firm* — Marshall, Gerstein & Borun LLP

(57) **CLAIM**

The ornamental design for a bollard, as shown and described.

DESCRIPTION

FIG. 1 is a front, top, and side perspective view of a bollard that has the design.

FIG. 2 is a front elevation view of the bollard.

FIG. 3 is a right side elevation view of the bollard.

FIG. 4 is a left side elevation view of the bollard.

FIG. 5 is a rear elevation view of the bollard.

FIG. 6 is a top plan view of the bollard.

FIG. 7 is a bottom plan view of the bollard.

FIG. 8 is front, top, and side perspective view of a second bollard that has the design.

FIG. 9 is a front elevation view of the bollard.

FIG. 10 is a right side elevation view of the bollard.

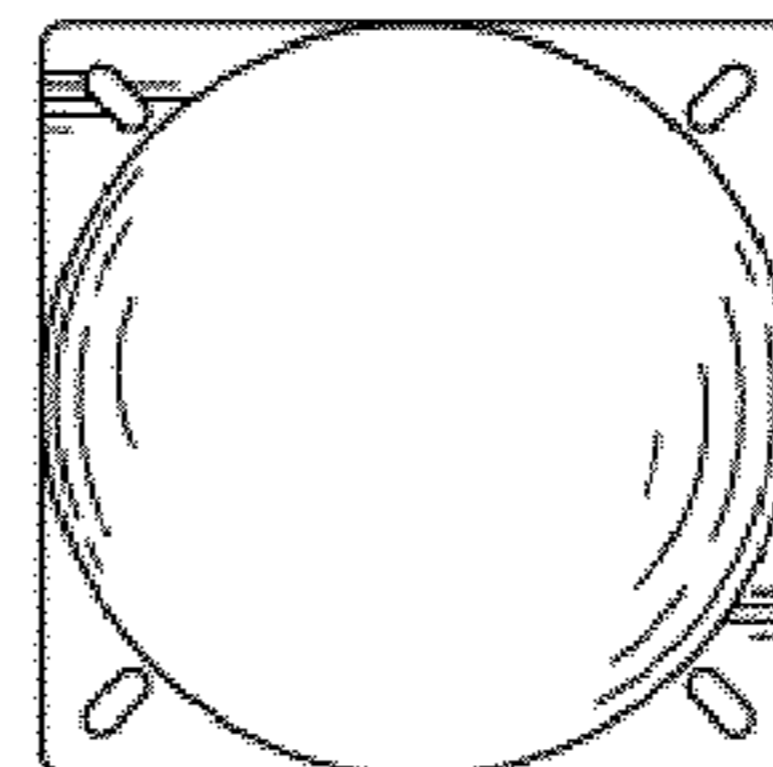
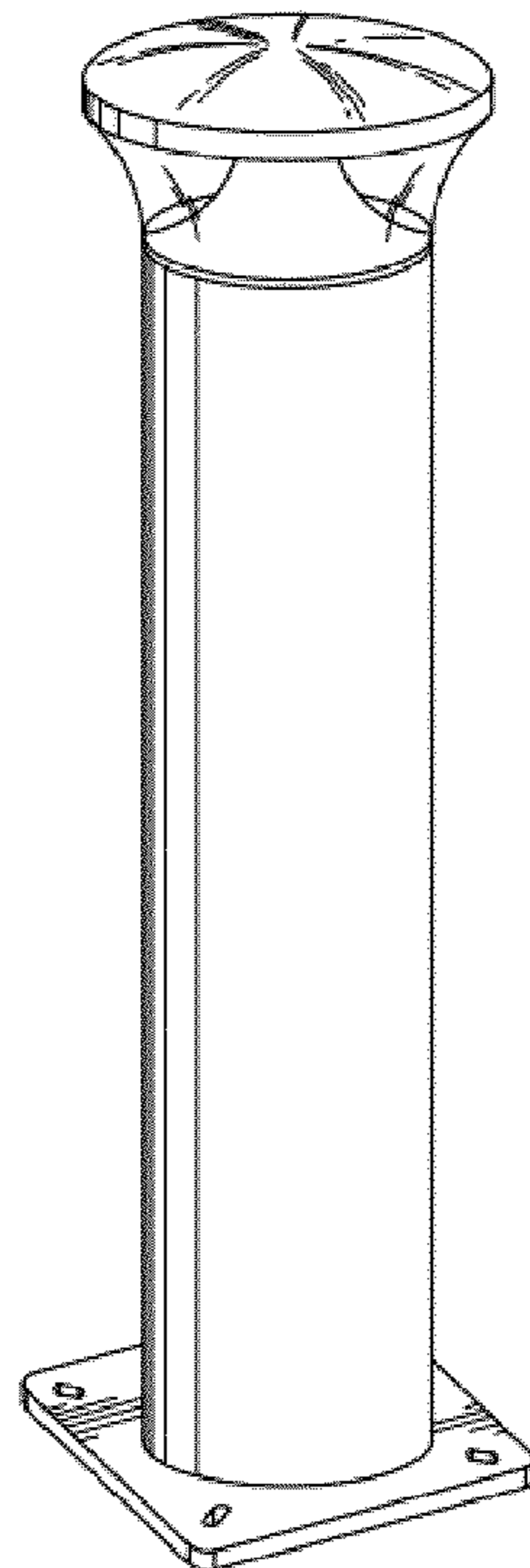
FIG. 11 is a left side elevation view of the bollard.

FIG. 12 is a rear elevation view of the bollard.

FIG. 13 is a top plan view of the bollard; and,

FIG. 14 is a bottom plan view of the bollard.

1 Claim, 5 Drawing Sheets



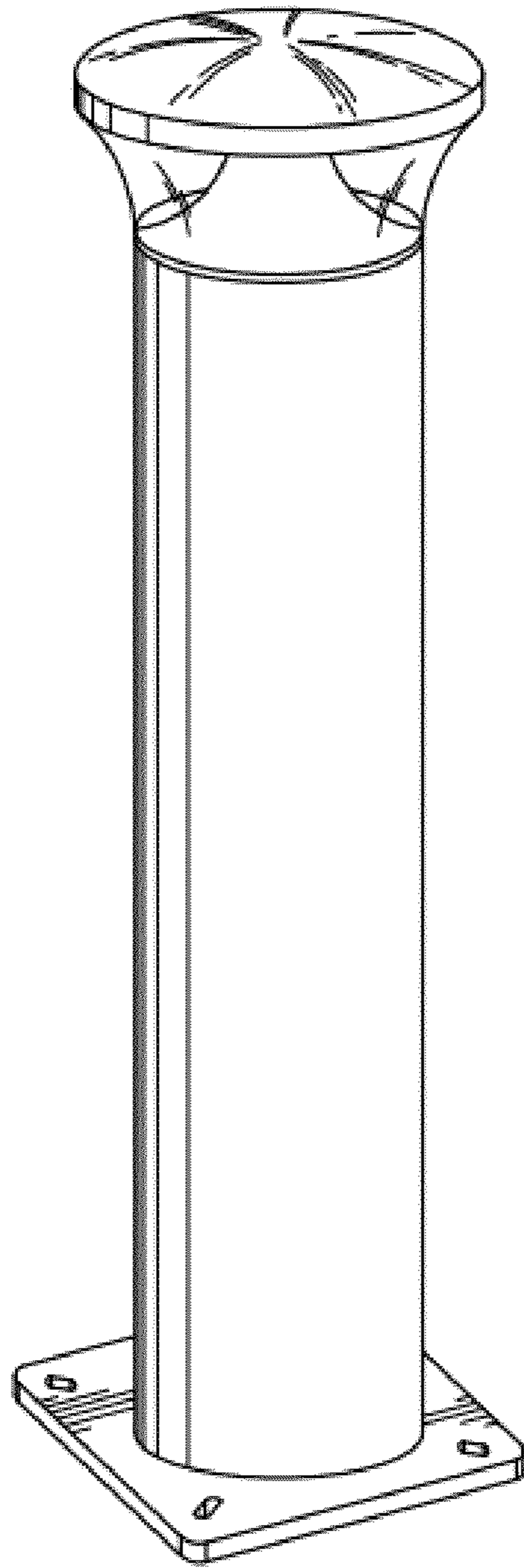


Fig. 1

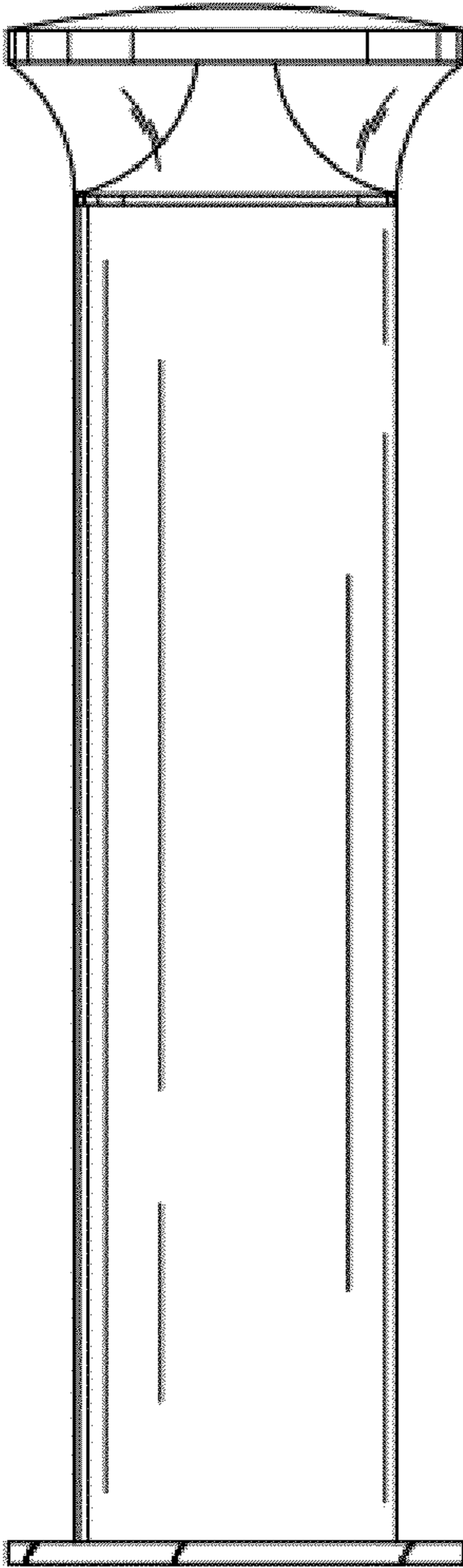


Fig. 2

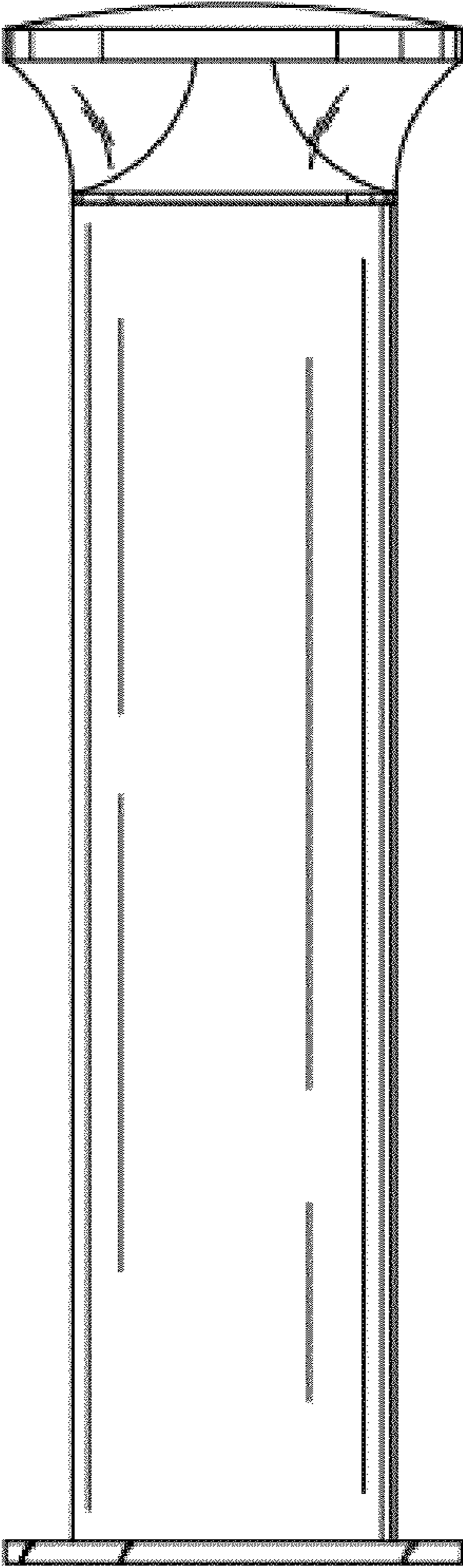


Fig. 3

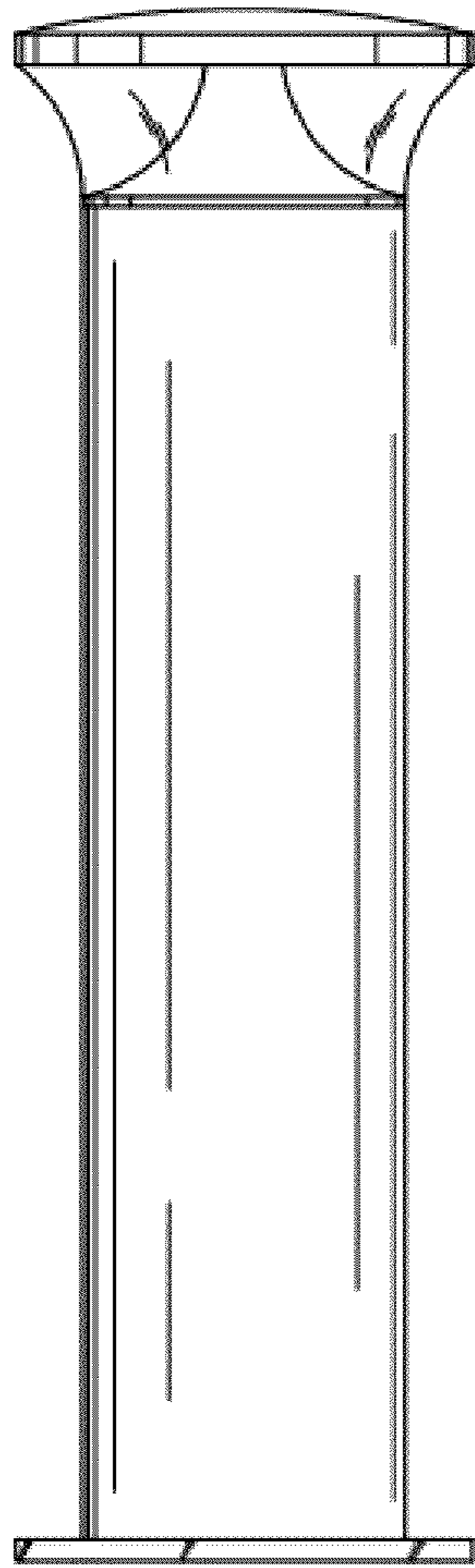


Fig. 4

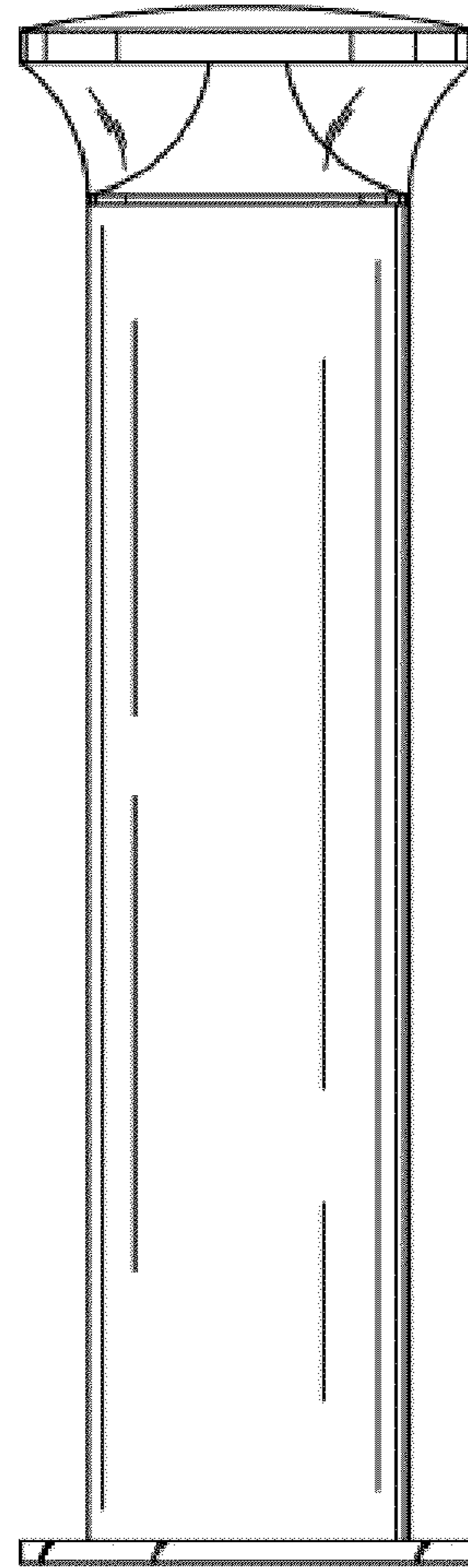


Fig. 5

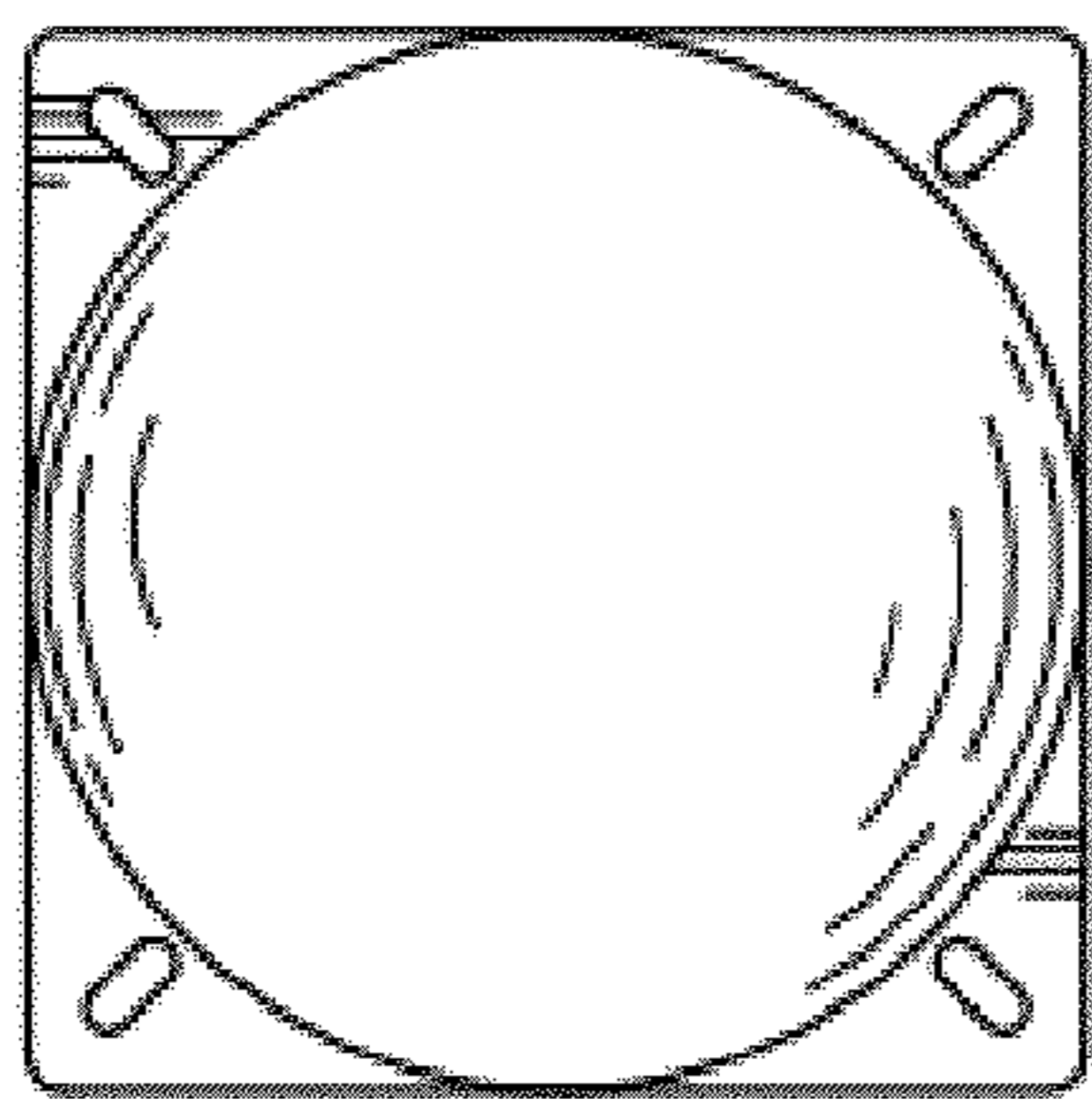


Fig. 6

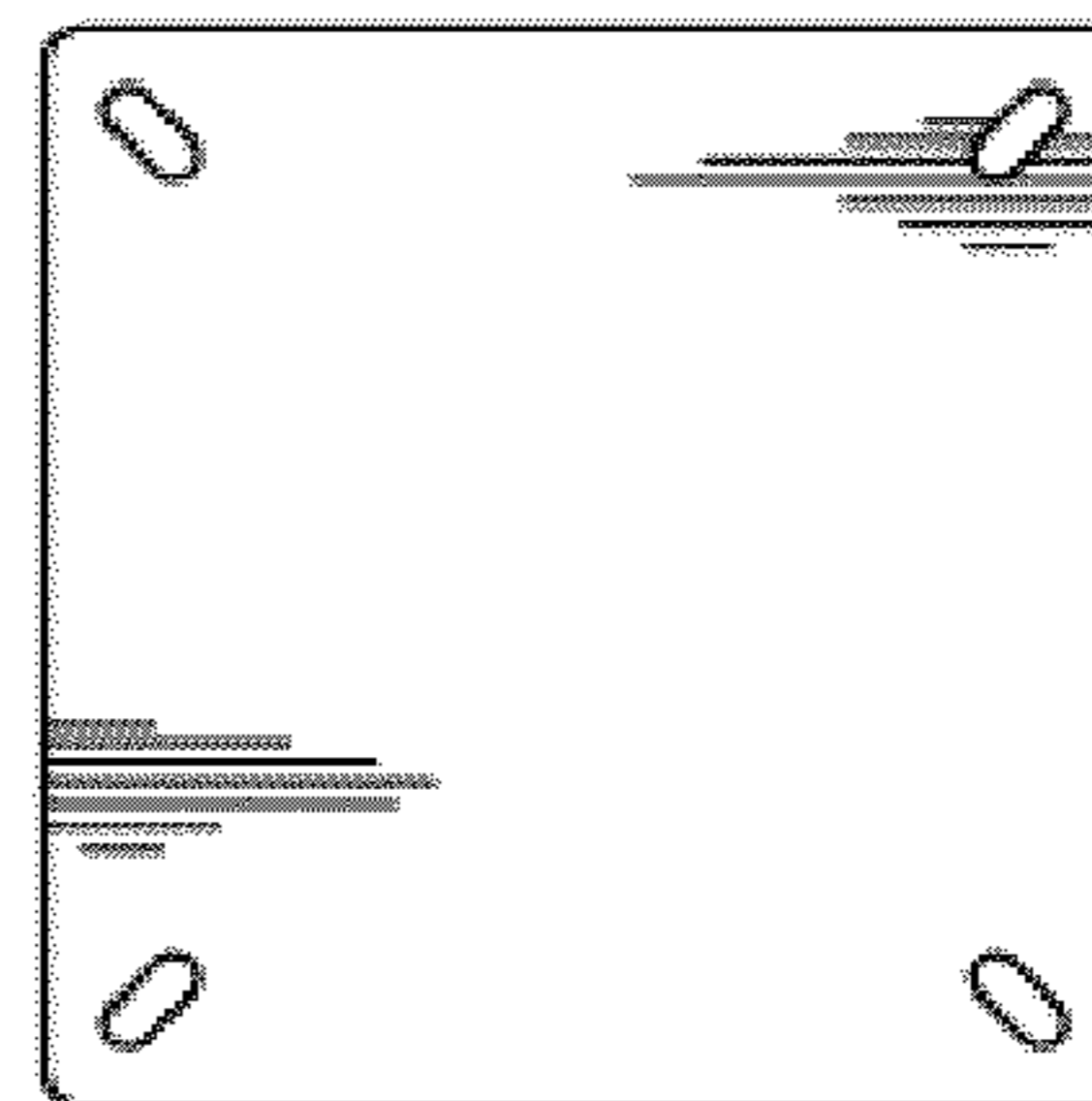


Fig. 7

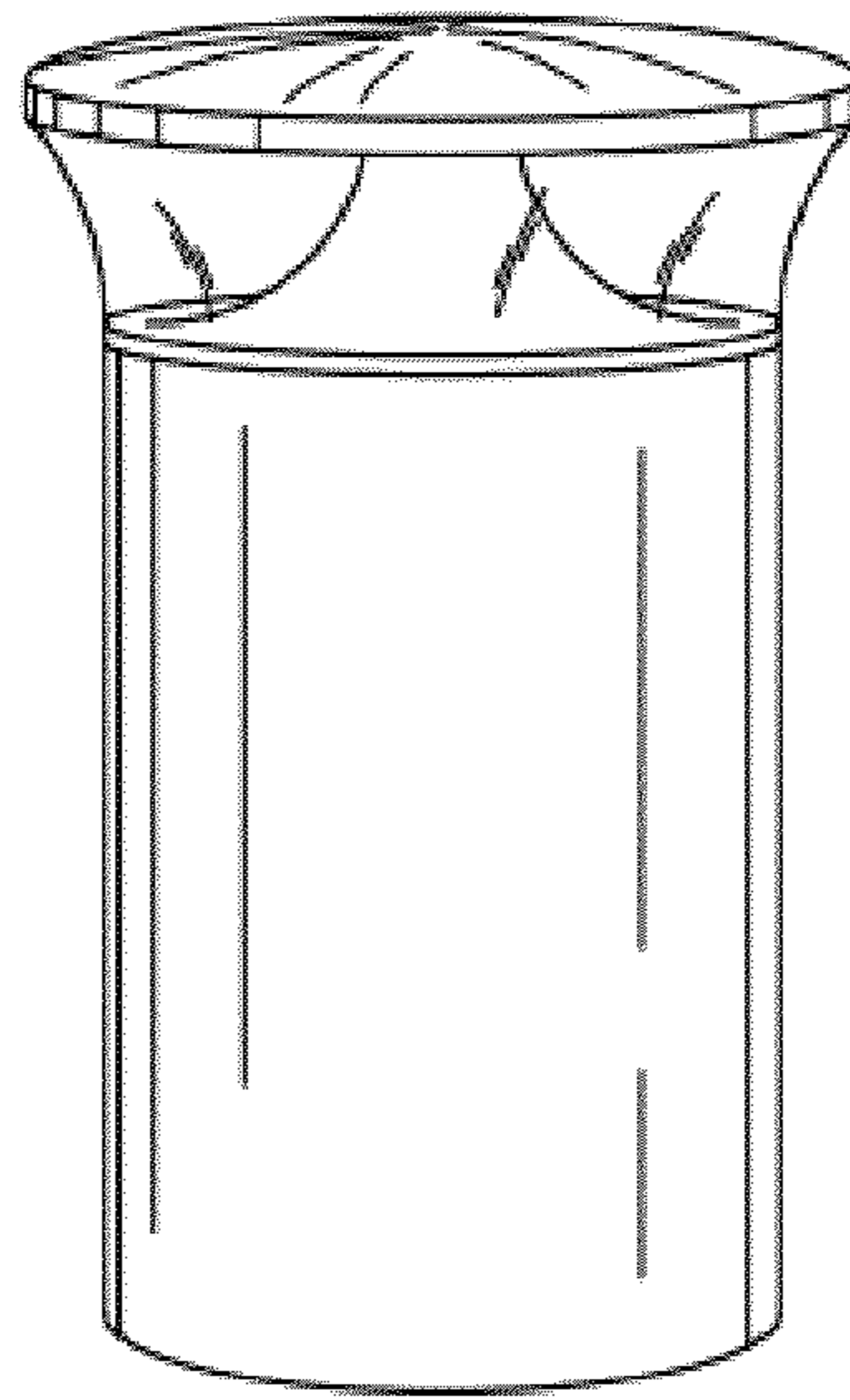


Fig. 8

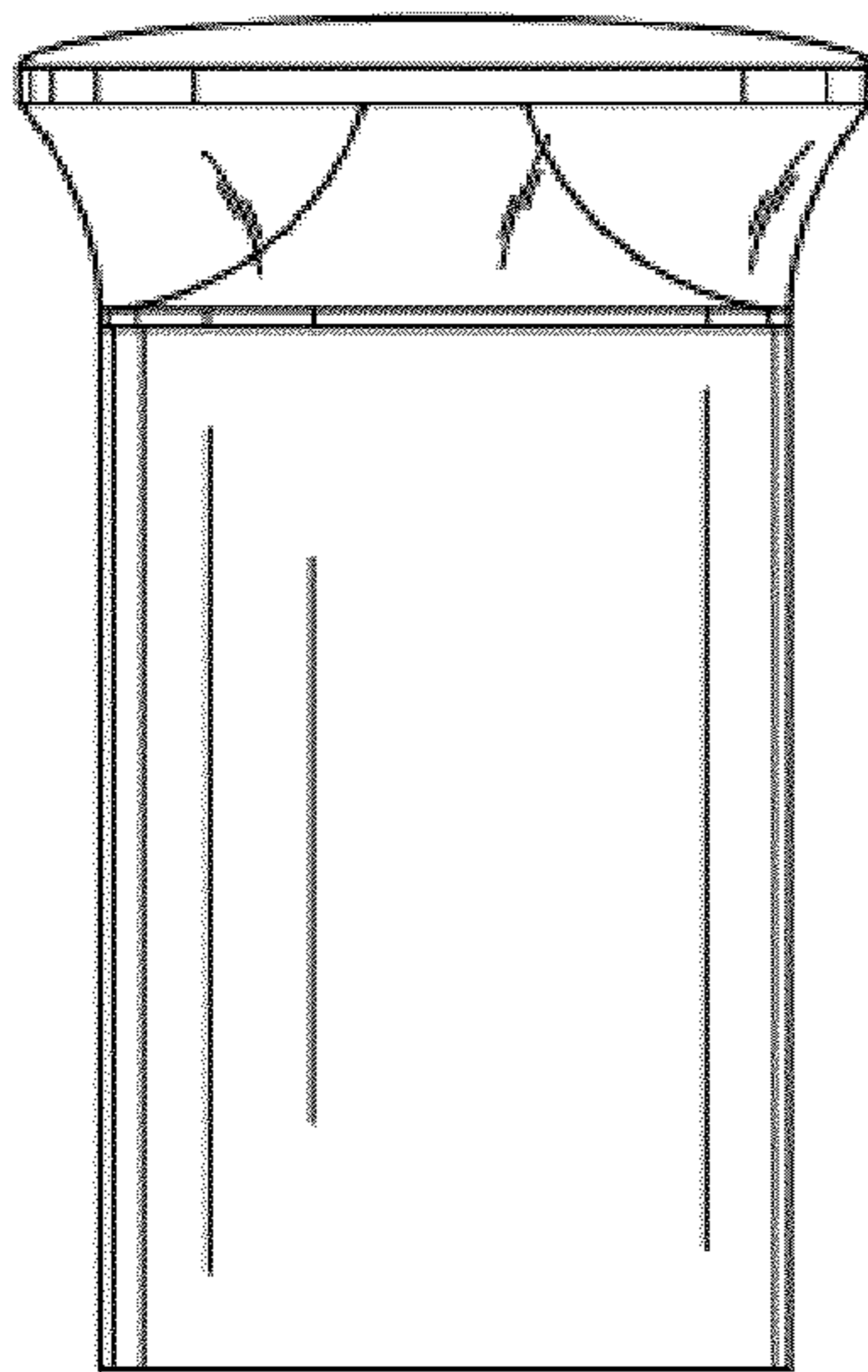


Fig. 9

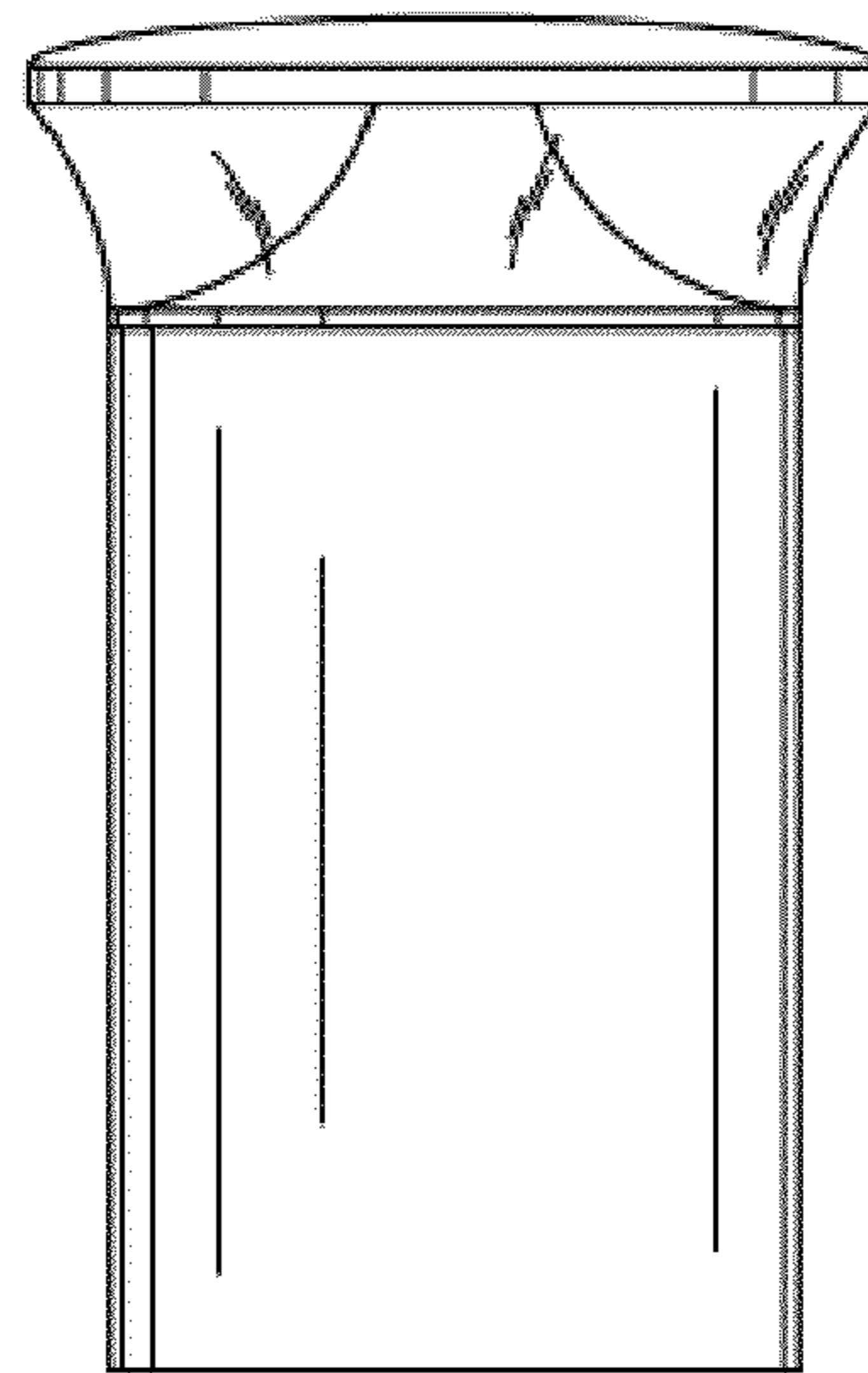


Fig. 10

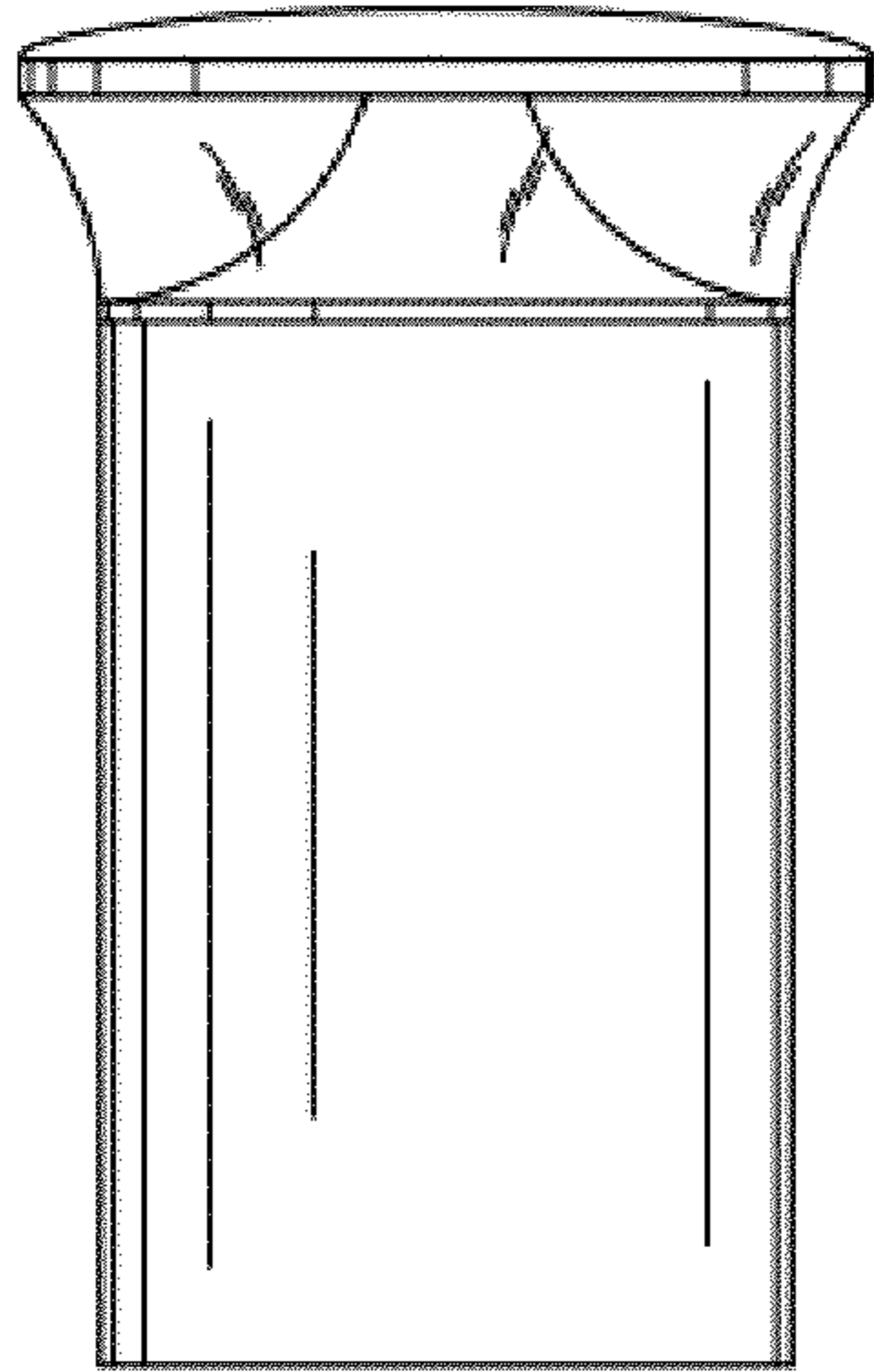


Fig. 11

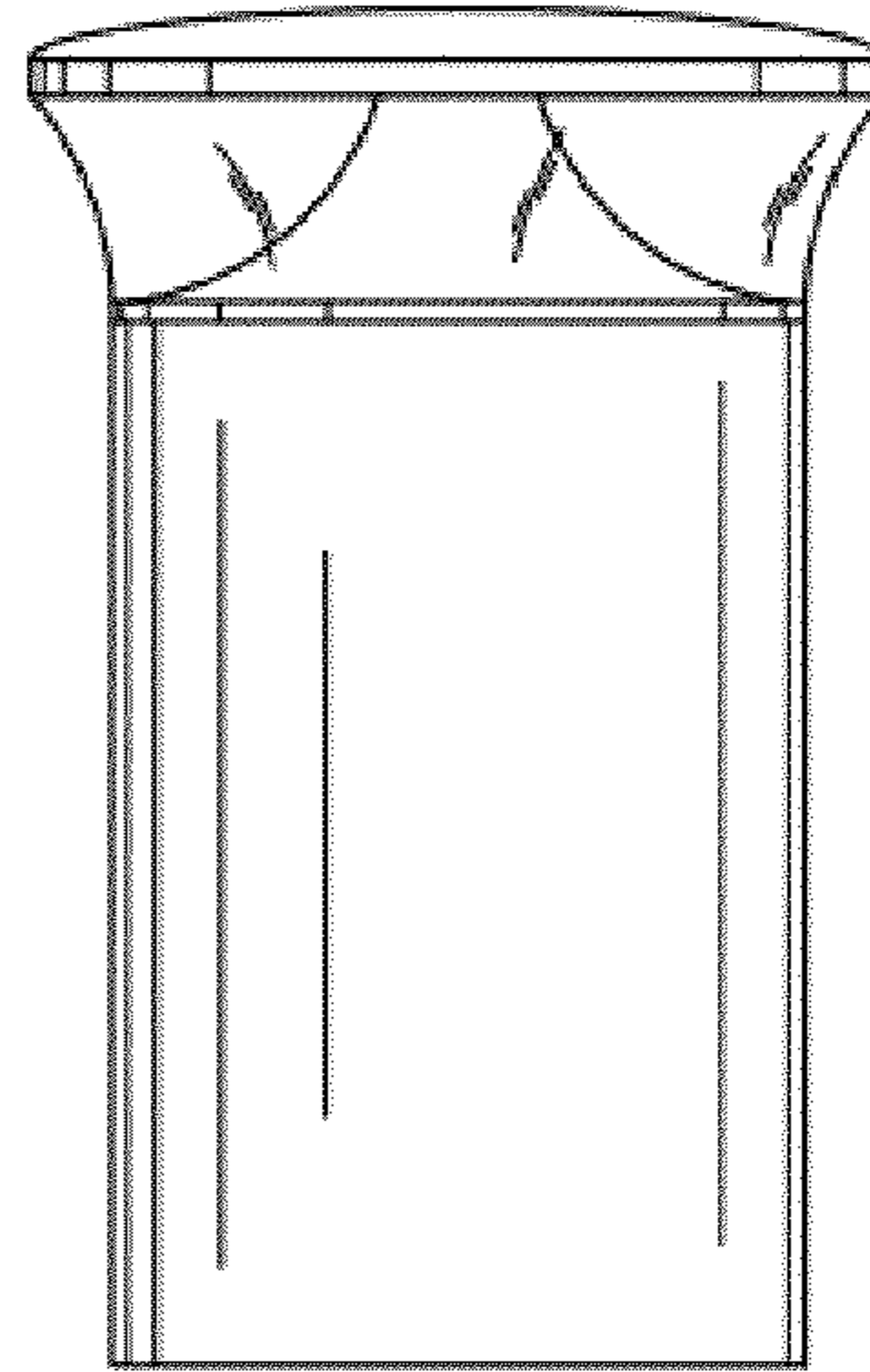


Fig. 12

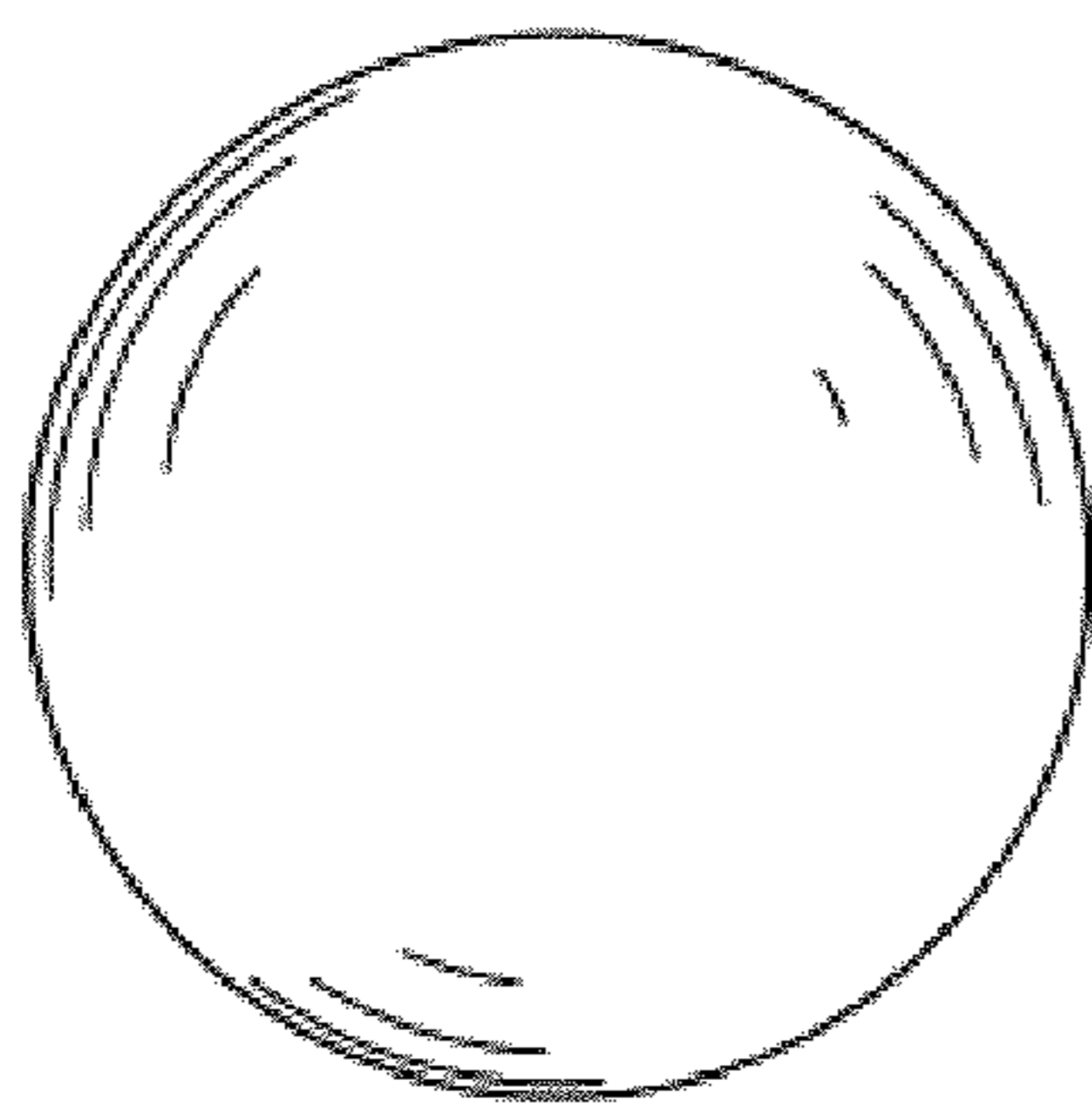


Fig. 13

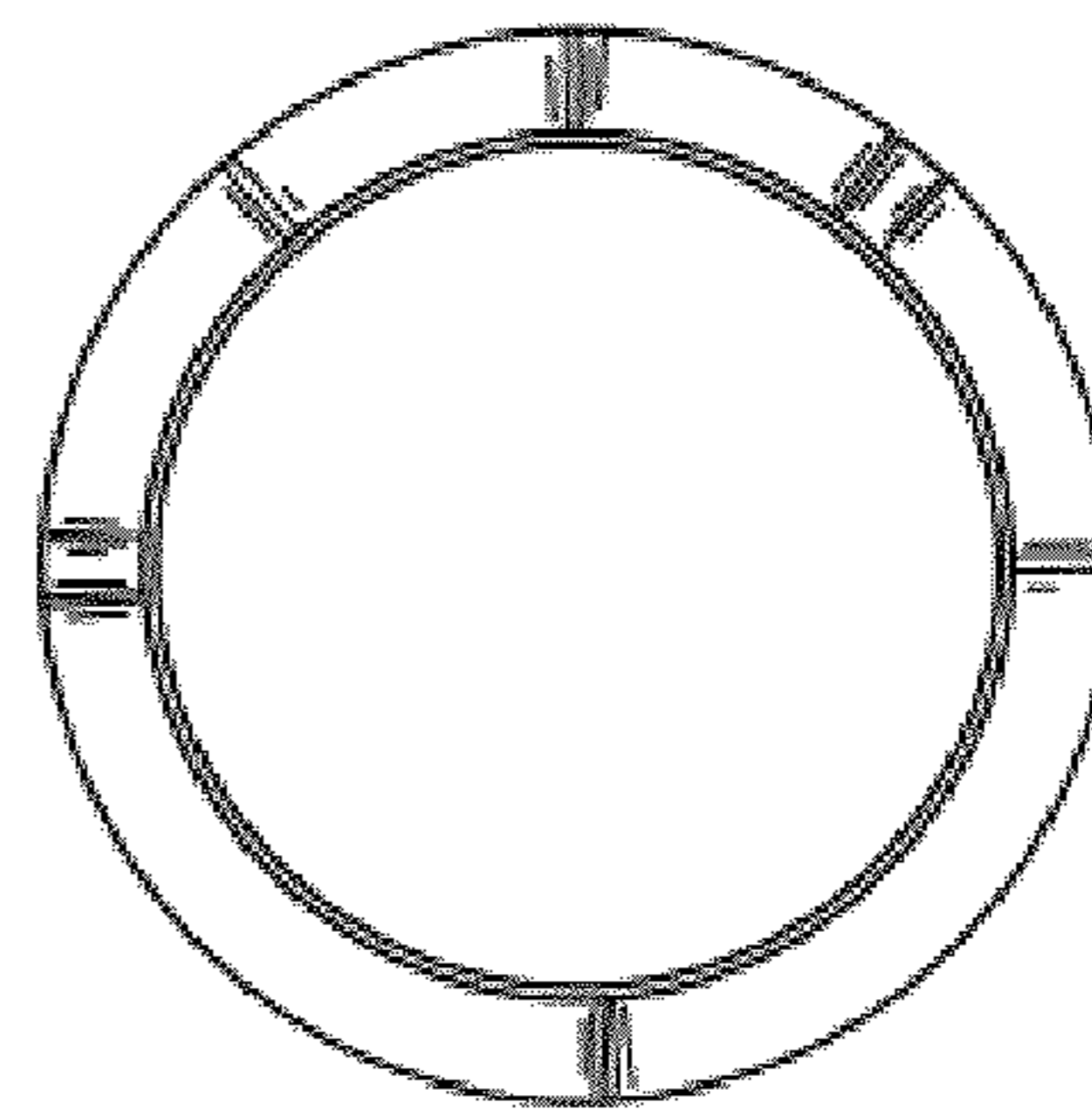


Fig. 14