



US00D708533S

(12) **United States Design Patent**
Banhegyesi et al.

(10) **Patent No.:** **US D708,533 S**
(45) **Date of Patent:** **** Jul. 8, 2014**

(54) **PORTION OF AN ELECTRONIC METER CASE**

(71) Applicant: **Elelectro Industries/Gauge Tech,**
Westbury, NY (US)

(72) Inventors: **Tibor Banhegyesi,** Baldwin, NY (US);
Avi Cohen, Great Neck, NY (US)

(73) Assignee: **Electro Industries/Gauge Tech,**
Westbury, NY (US)

(*) Notice: This patent is subject to a terminal disclaimer.

(**) Term: **14 Years**

(21) Appl. No.: **29/448,706**

(22) Filed: **Mar. 13, 2013**

(51) **LOC (10) Cl.** **10-04**

(52) **U.S. Cl.**
USPC **D10/99; D10/96; D10/100**

(58) **Field of Classification Search**
USPC **D10/96, 99-100, 102; 324/74, 142;**
340/870.02; 702/61, 62; 709/217, 224,
709/225

See application file for complete search history.

(56) **References Cited**

U.S. PATENT DOCUMENTS

D56,045 S	8/1920	White
D76,149 S	2/1924	Olsen
1,705,301 A	3/1929	Miller
D187,740 S	4/1960	Littlejohn
D199,808 S	12/1964	Gazzam, III
D201,100 S	5/1965	Little et al.
D241,006 S	8/1976	Wallace
D273,574 S	4/1984	Overs
D332,923 S	2/1993	Polydoris et al.
D343,786 S	2/1994	Hines et al.
D348,019 S	6/1994	Kocol et al.

D366,434 S	1/1996	Brown, III et al.
5,581,470 A	12/1996	Pawloski
D427,533 S	7/2000	Cowan et al.
D429,655 S	8/2000	Cowan et al.
D435,471 S	12/2000	Simbeck et al.
D439,535 S	3/2001	Cowan et al.
D443,541 S	6/2001	Hancock et al.
D455,066 S	4/2002	Kolinen
D458,863 S	6/2002	Harding et al.
D459,259 S	6/2002	Harding et al.
6,476,595 B1	11/2002	Heuell et al.
6,476,729 B1	11/2002	Liu

(Continued)

OTHER PUBLICATIONS

BE1-951 Multifunction Protection System, Basler Electric, Sep. 2012 pp. 1-12.

(Continued)

Primary Examiner — Antoine D Davis

(74) *Attorney, Agent, or Firm* — Gerald E. Hespos; Michael J. Porco; Matthew T. Hespos

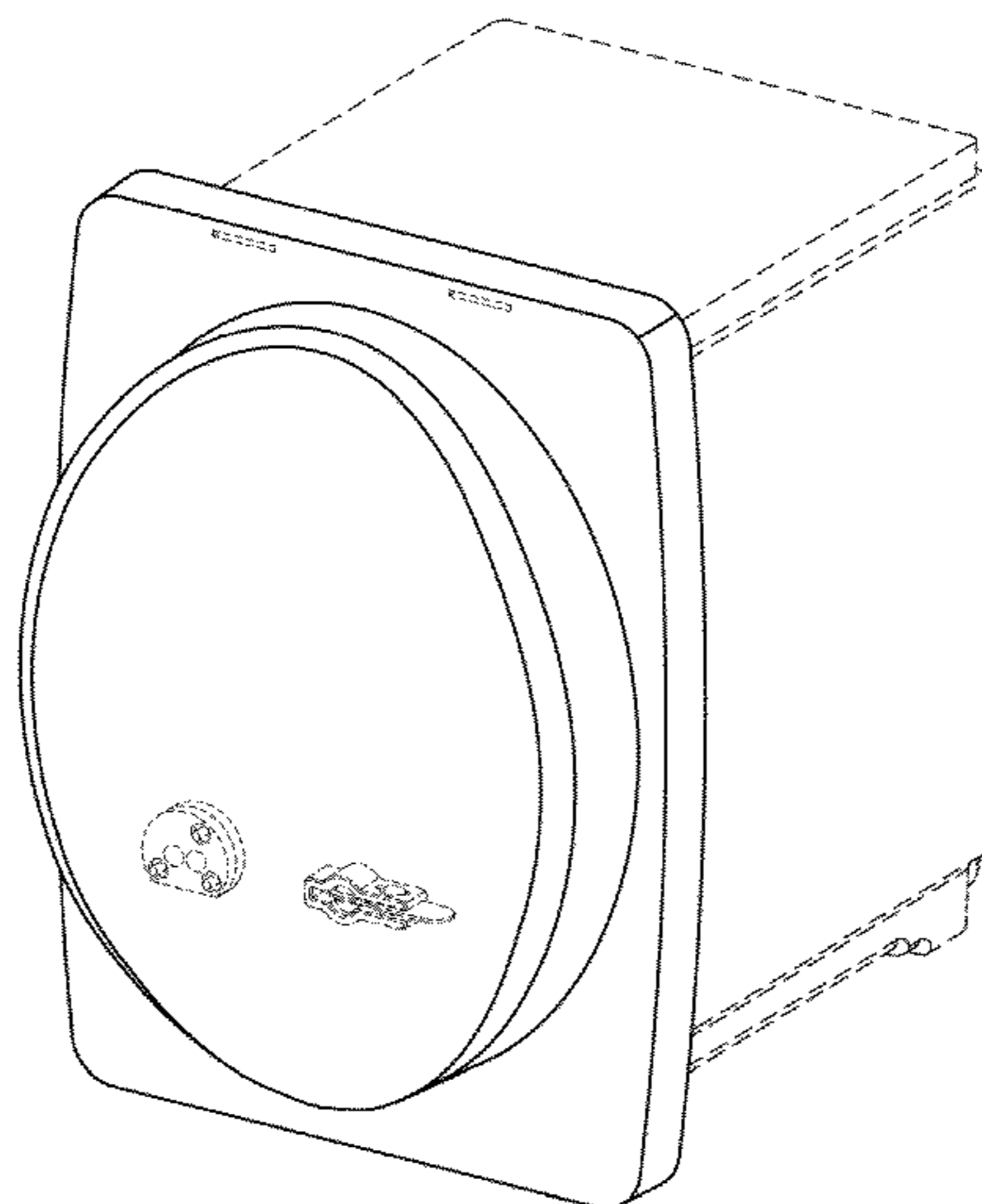
(57) **CLAIM**

The ornamental design for a portion of an electronic meter case, as shown and described.

DESCRIPTION

FIG. 1 is a front, top, right perspective view of a portion of an electronic meter case showing our new design; FIG. 2 is a front elevational view thereof; FIG. 3 is a top plan view thereof; FIG. 4 is a right side elevational view thereof; FIG. 5 is a left side elevational view thereof; FIG. 6 is a rear elevational view thereof; and, FIG. 7 is a bottom plan view thereof. The broken lines are for the purpose of illustrating portions of the electronic meter case and form no part of the claimed design.

1 Claim, 4 Drawing Sheets



(56)

References Cited

U.S. PATENT DOCUMENTS

6,745,138	B2	6/2004	Przydatek et al.	
D525,893	S	8/2006	Kagan et al.	
D526,920	S	* 8/2006	Kagan et al. D10/99
D545,181	S	6/2007	Kagan et al.	
7,271,996	B2	9/2007	Kagan et al.	
7,417,419	B2	8/2008	Tate	
7,868,782	B2	1/2011	Ehrke et al.	
D642,083	S	* 7/2011	Blanc et al. D10/100
D653,572	S	2/2012	Ohtani et al.	
8,176,174	B2	5/2012	Kagan	
D666,933	S	9/2012	Hoffman et al.	
8,310,403	B2	11/2012	Nahar	
8,325,057	B2	12/2012	Salter	
D682,720	S	5/2013	Kagan et al.	
D682,721	S	5/2013	Kagan et al.	
8,587,949	B2	11/2013	Banhegyesi et al.	
2002/0162014	A1	10/2002	Przydatek et al.	
2004/0138786	A1	7/2004	Blackett et al.	

OTHER PUBLICATIONS

Nexus 1262/1272 High Performance Utility Billing Meters With Communication & Advanced Power Quality, Electro Industries/Gaugetech, 062112 pp. 1-12.

Jemstar High Accuracy Revenue Meter for Generation, Transmission, and Industrial Power Measurement, Ametek Power Instruments, 2012, pp. 1-2.

Jemstar Retrofit for Generation, Transmission, and Industrial Power Measurement, Ametek Power Instruments, 2007, pp. 1-2.

Mark-V EMS60 Intelligent Energy Meter, Advanced High-Accuracy Meter With Integrated Data Telemetry Solutions and Power Quality Monitoring, Transdata Energy Metering and Automation, 2010, pp. 1-2.

Nexus 1262/1272 Switchboard Meter Quick Start, Electro Industries-Gaugetech, 083112, pp. 1-4.

Powerlogic ION8650, Schneider Electric, 2011, pp. 1-12.

* cited by examiner

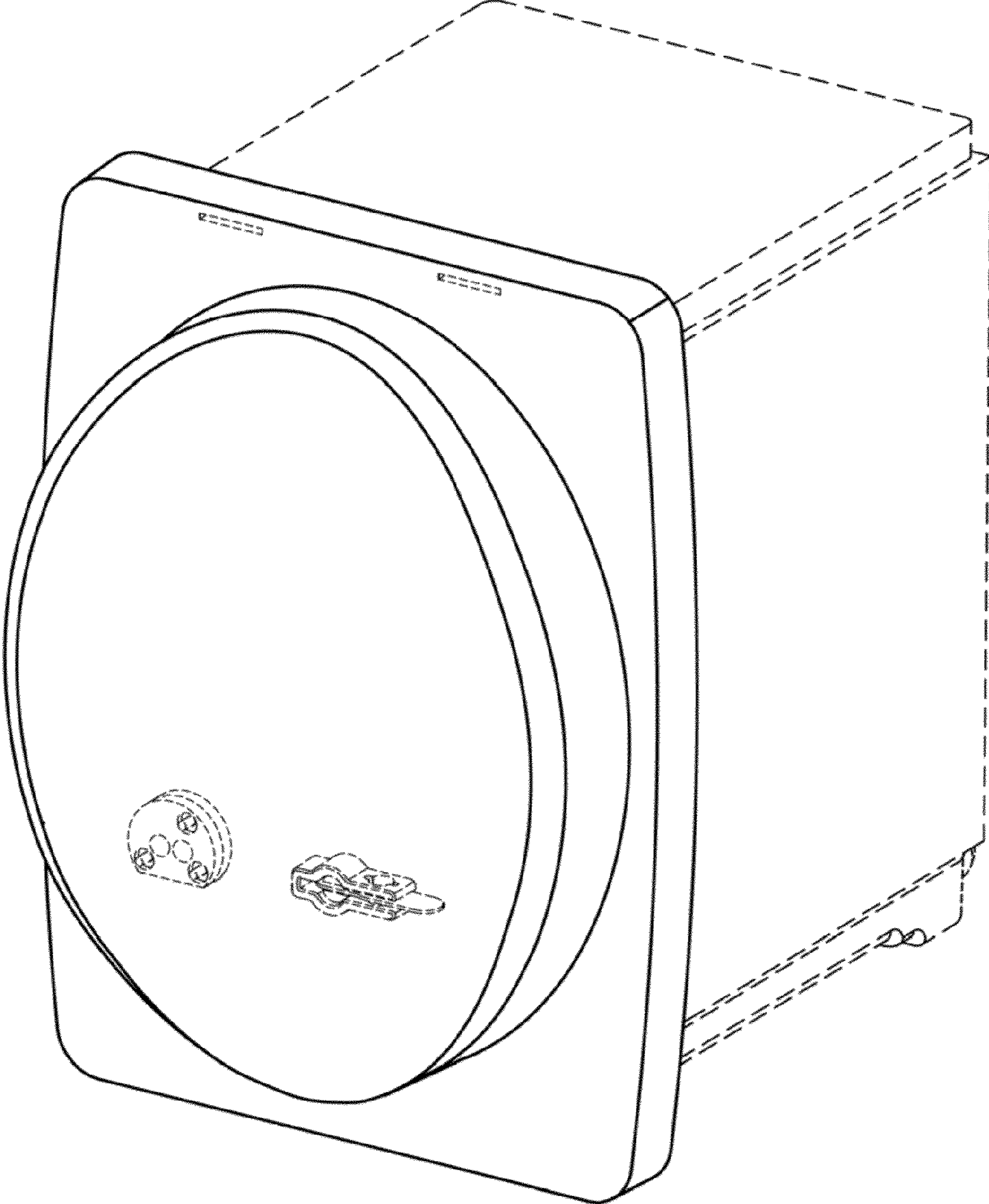


FIG. 1

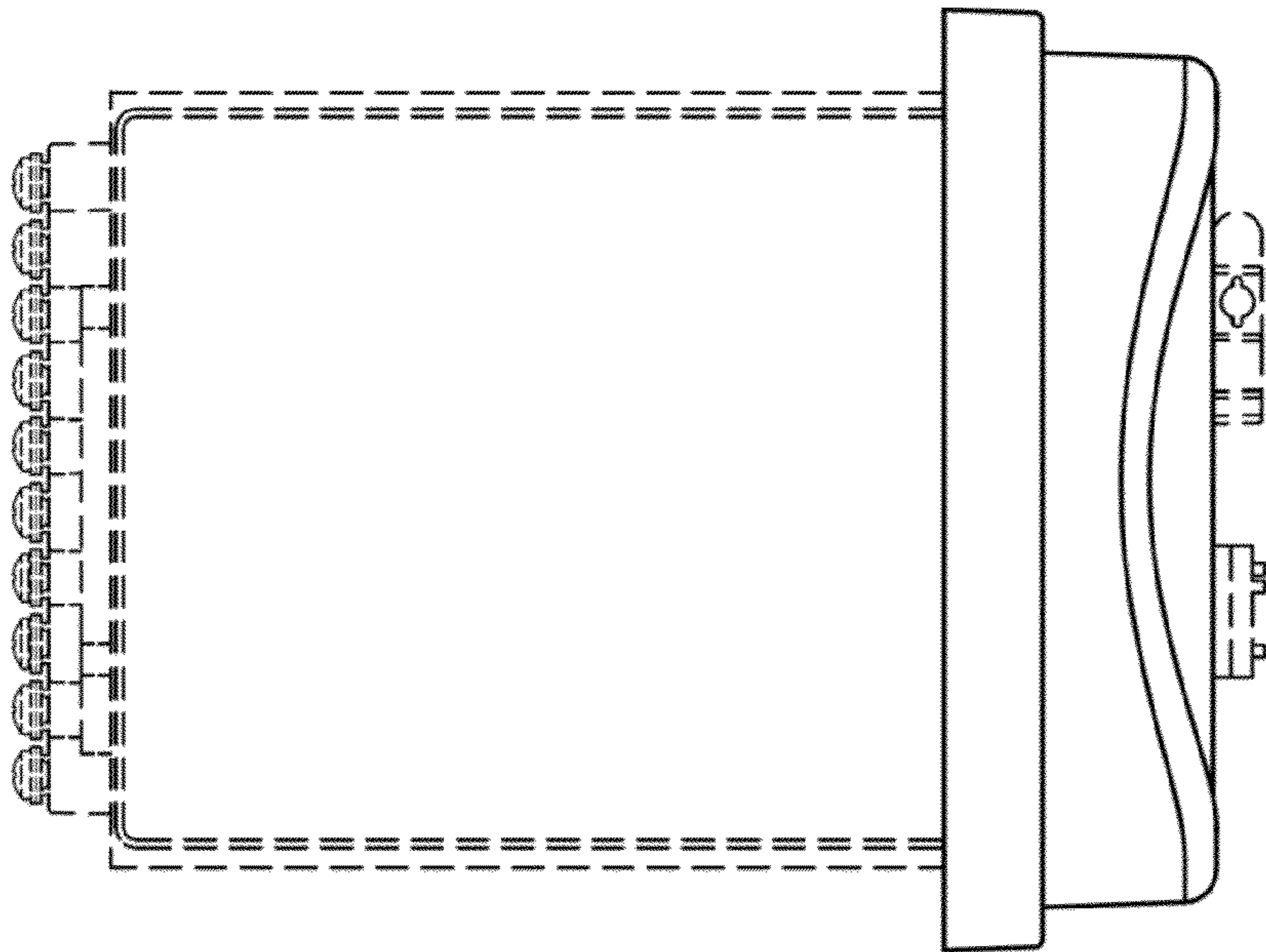


FIG. 2

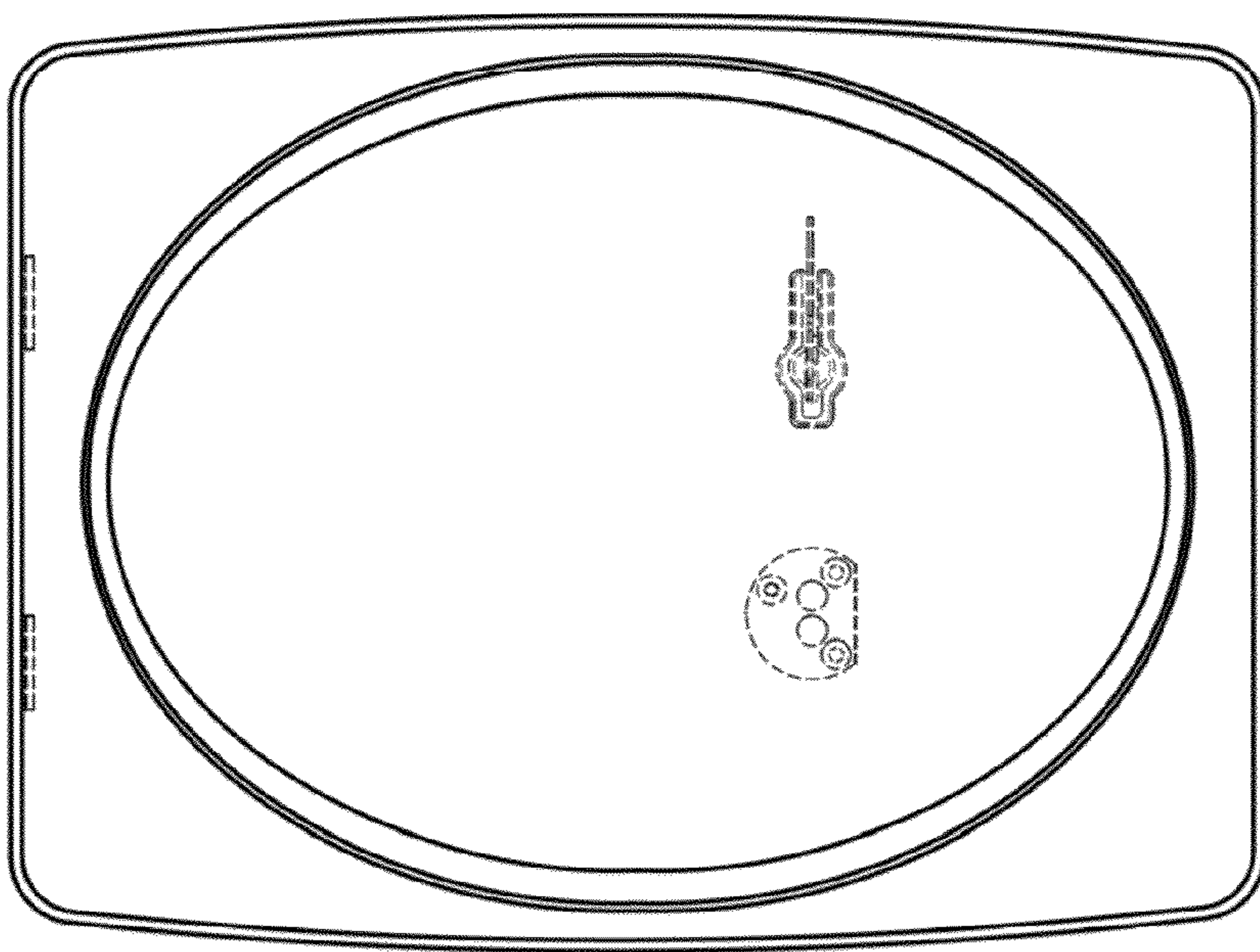


FIG. 3

FIG.4

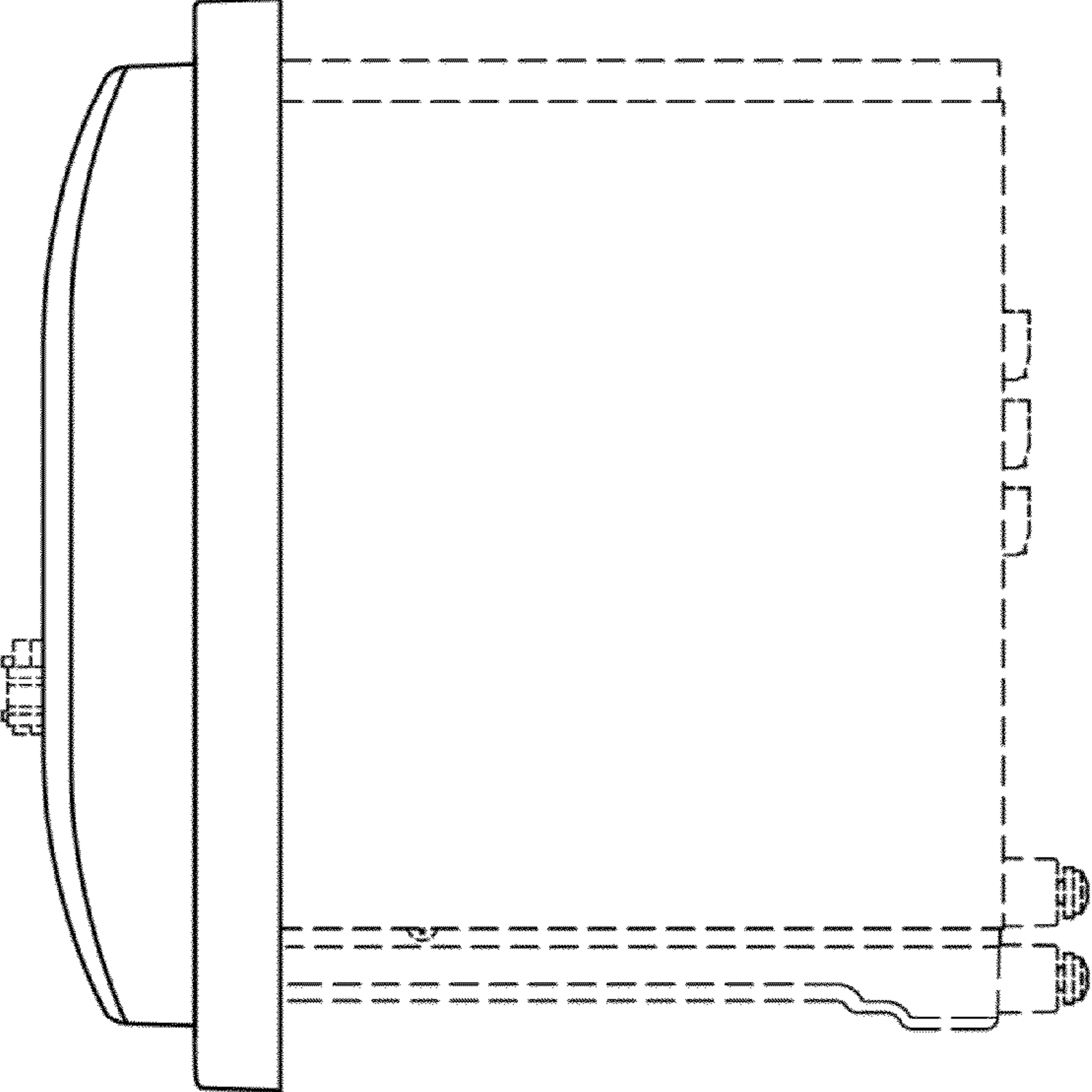
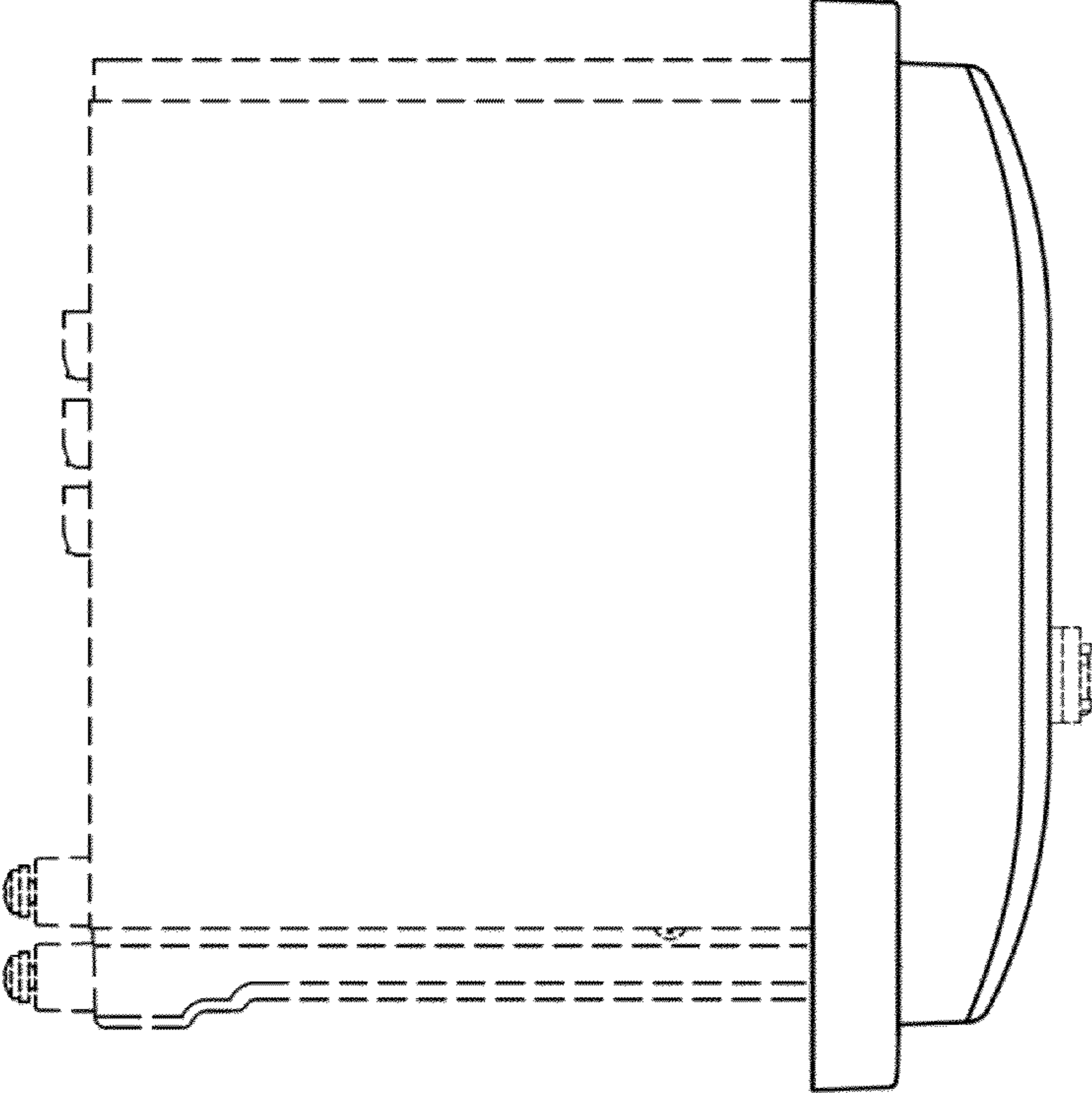


FIG.5



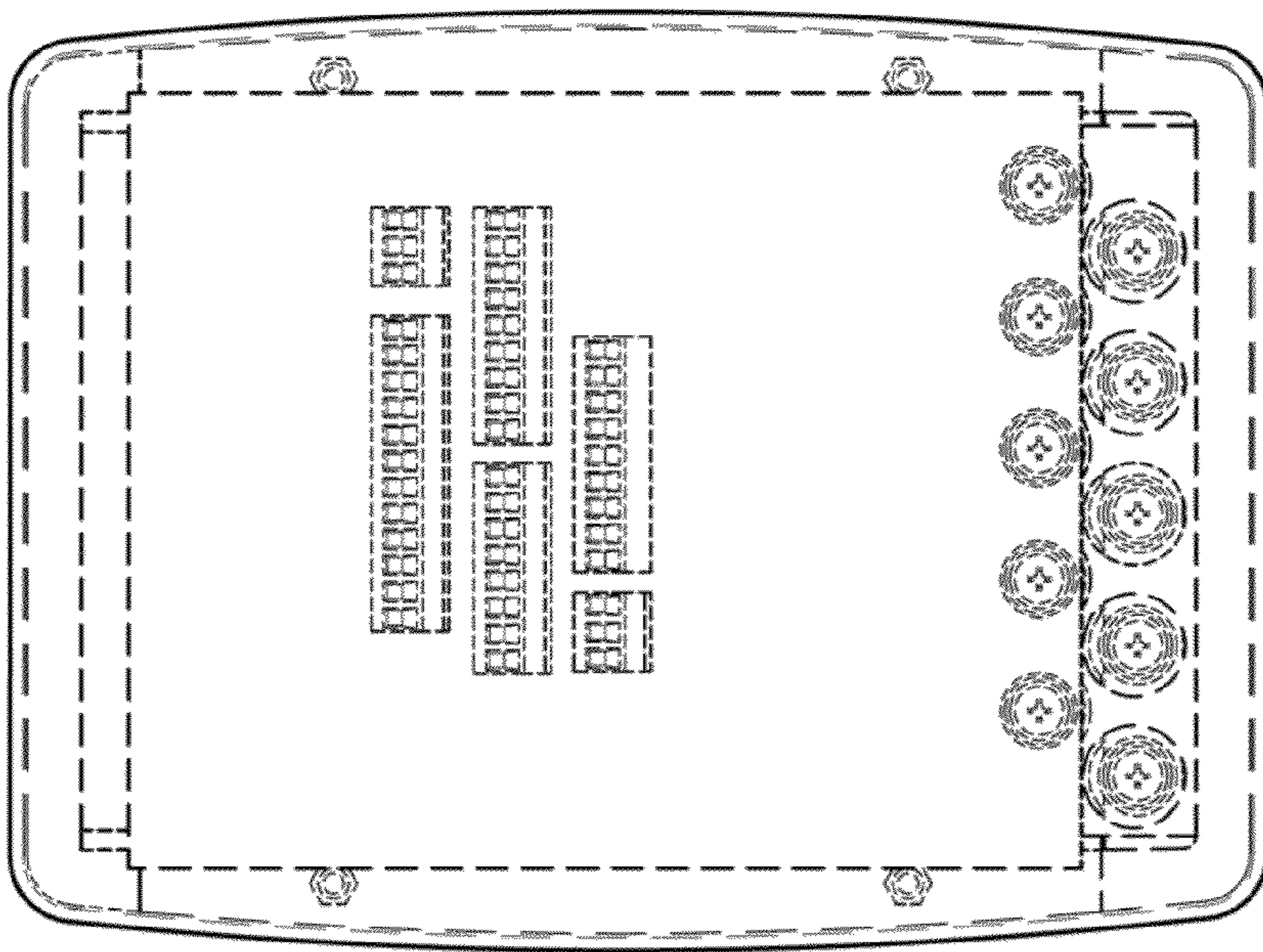


FIG. 6

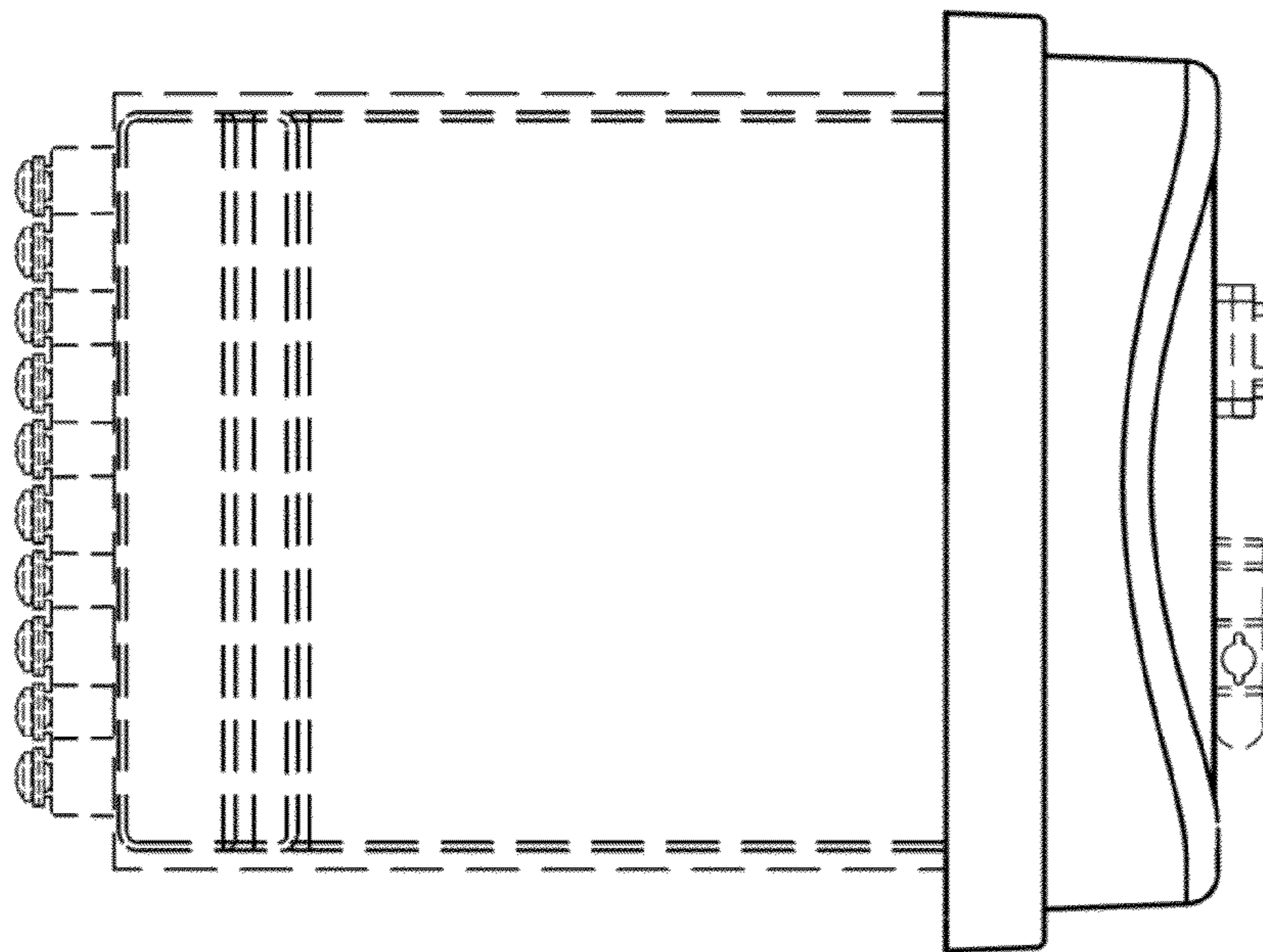


FIG. 7