



US00D708532S

(12) **United States Design Patent**
Reichardt et al.

(10) **Patent No.:** **US D708,532 S**
(45) **Date of Patent:** **** Jul. 8, 2014**

(54) **FUEL FLOWMETER**

(71) Applicants: **Mathieu Reichardt**, Allschwil (CH);
Denis Conraux, Allschwil (CH)

(72) Inventors: **Mathieu Reichardt**, Allschwil (CH);
Denis Conraux, Allschwil (CH)

(73) Assignee: **AIC Systems AG**, Allschwil (CH)

(**) Term: **14 Years**

(21) Appl. No.: **29/462,442**

(22) Filed: **Aug. 4, 2013**

(51) **LOC (10) Cl.** **10-04**

(52) **U.S. Cl.**
USPC **D10/96**

(58) **Field of Classification Search**

CPC G01F 1/00; G01F 15/00; G01F 15/14;
G01F 15/18; G01F 1/82; G01F 1/115; G01F
1/125; G01F 3/10; G01F 15/024; G01F 9/001;
G01F 25/003; G01F 11/13; B60S 5/20;
B67D 7/08; B67D 7/425; B67D 7/744;
B67D 2007/748
USPC D10/96; 73/700-756, 861-861.41, 261,
73/861.77; 116/266-272; 222/1, 14, 28,
222/71, 132, 145

See application file for complete search history.

(56) **References Cited**

U.S. PATENT DOCUMENTS

5,831,176 A * 11/1998 Morgenthale et al. 73/861.77

* cited by examiner

Primary Examiner — Antoine D Davis

(74) *Attorney, Agent, or Firm* — Inventa Capital PLC

(57) **CLAIM**

The ornamental design for a fuel flowmeter, as shown and described.

DESCRIPTION

FIG. 1 is a perspective view of a flowmeter of the present invention;

FIG. 2 is a front view of the flowmeter of FIG. 1;

FIG. 3 is a left side view of the flowmeter of FIG. 1

FIG. 4 is a back view of the flowmeter of FIG. 1;

FIG. 5 is a right side view of the flowmeter of FIG. 1;

FIG. 6 is a top view of the flowmeter of FIG. 1; and,

FIG. 7 is a bottom view of the flowmeter of FIG. 1.

1 Claim, 4 Drawing Sheets

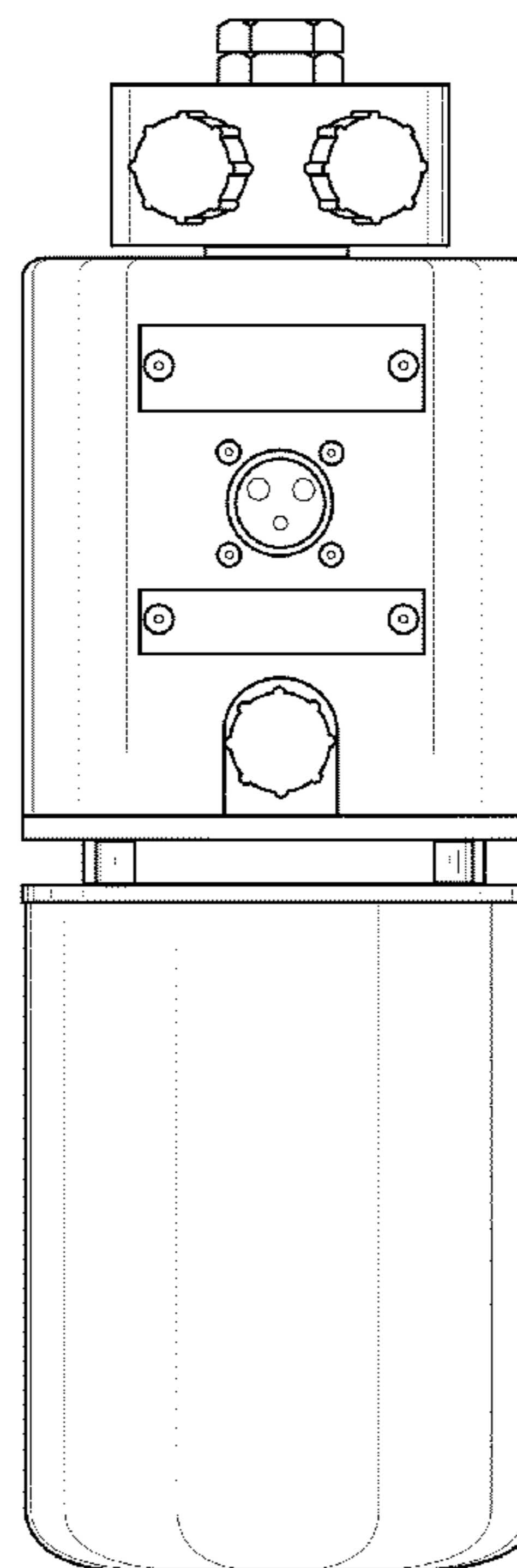
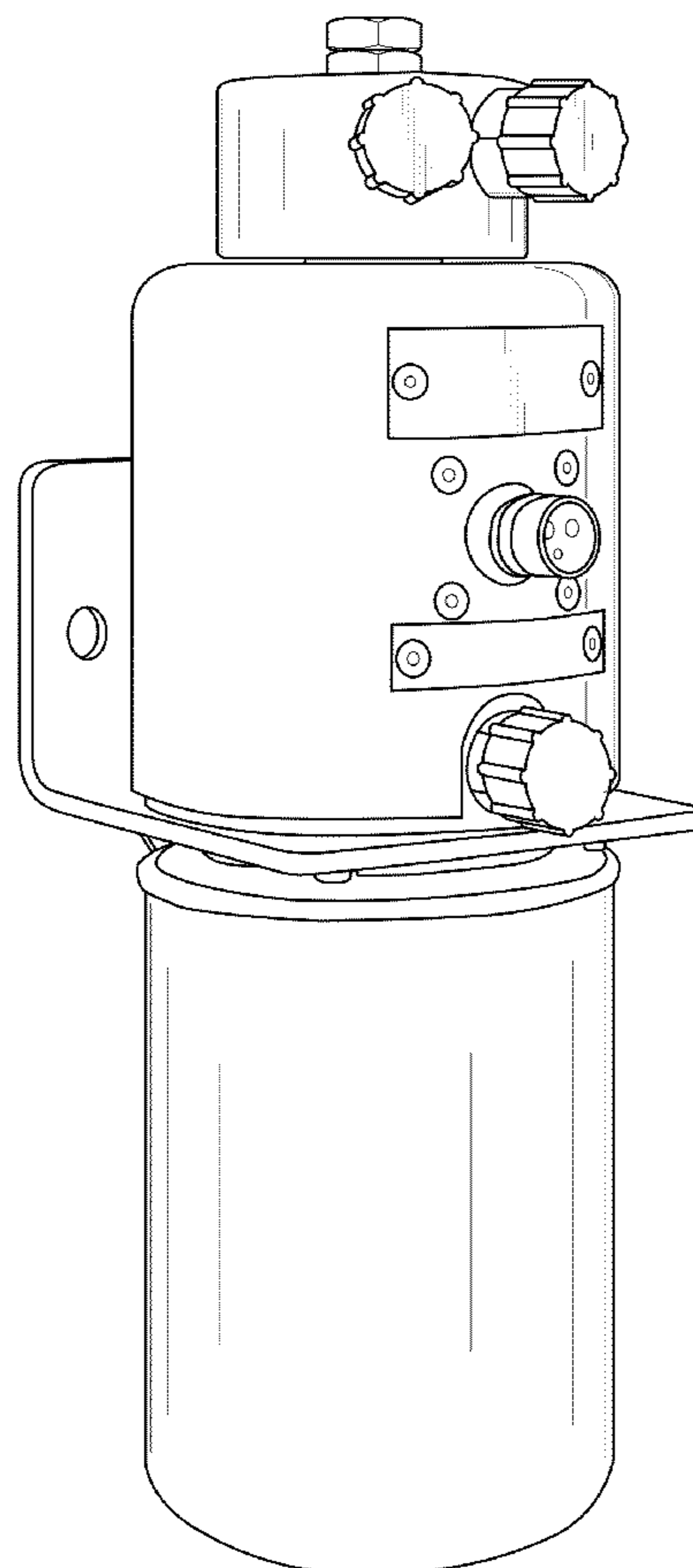
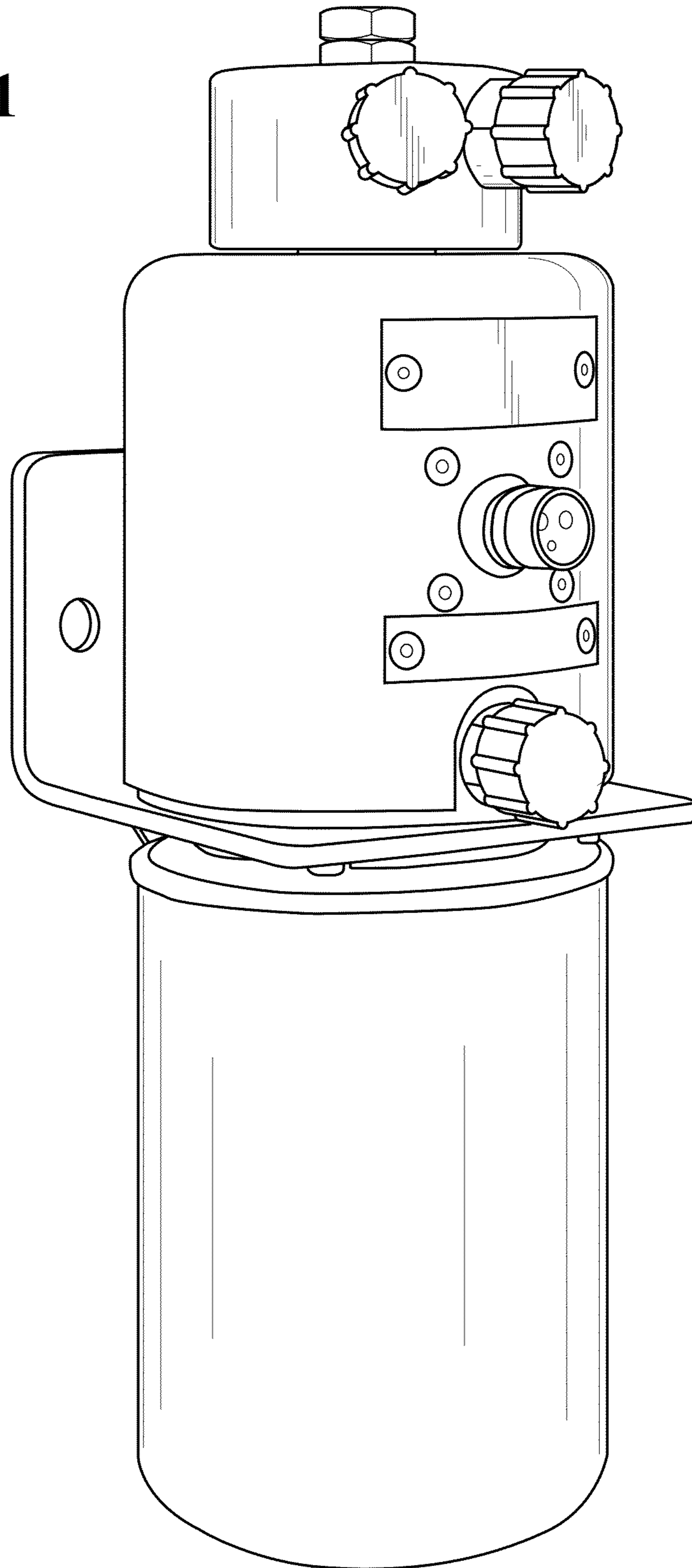


FIG. 1



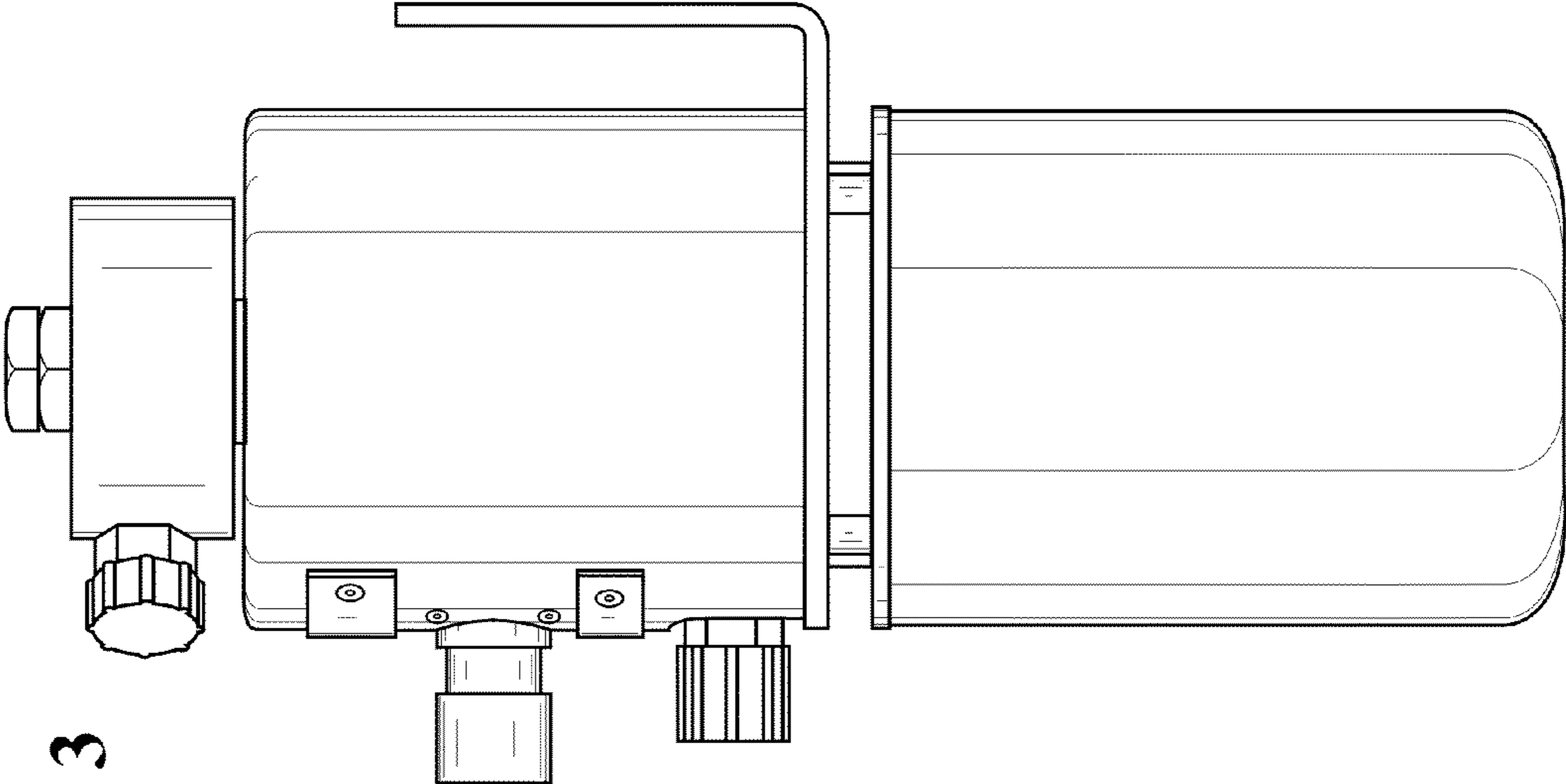


FIG. 3

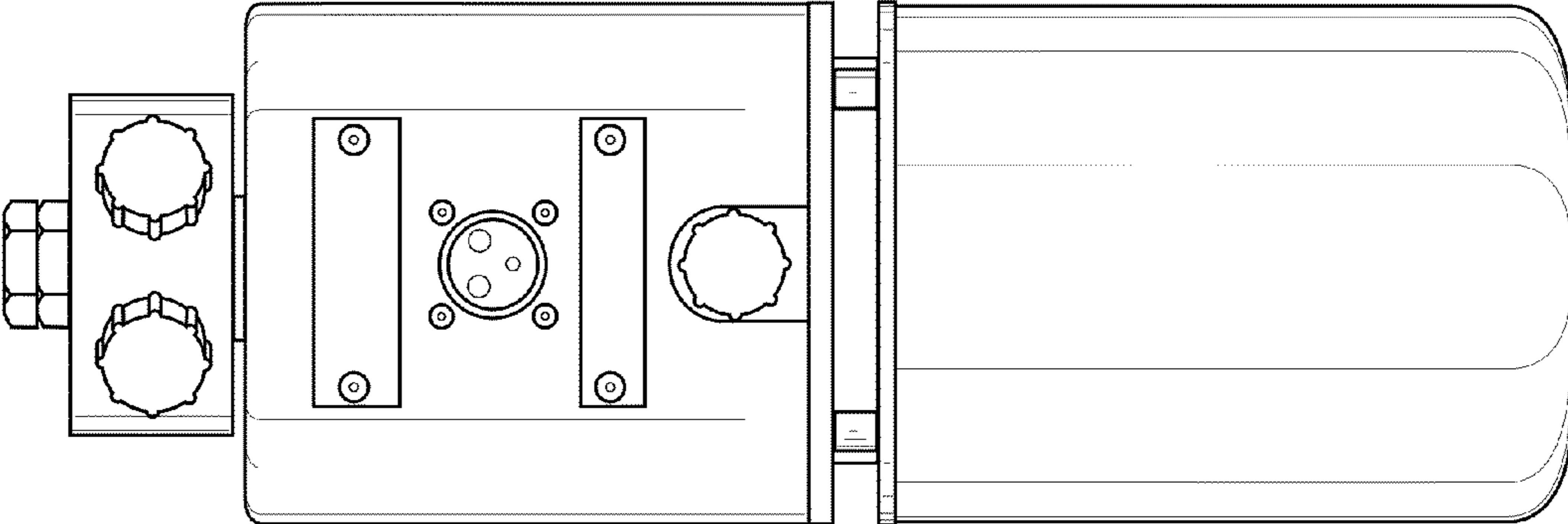


FIG. 2

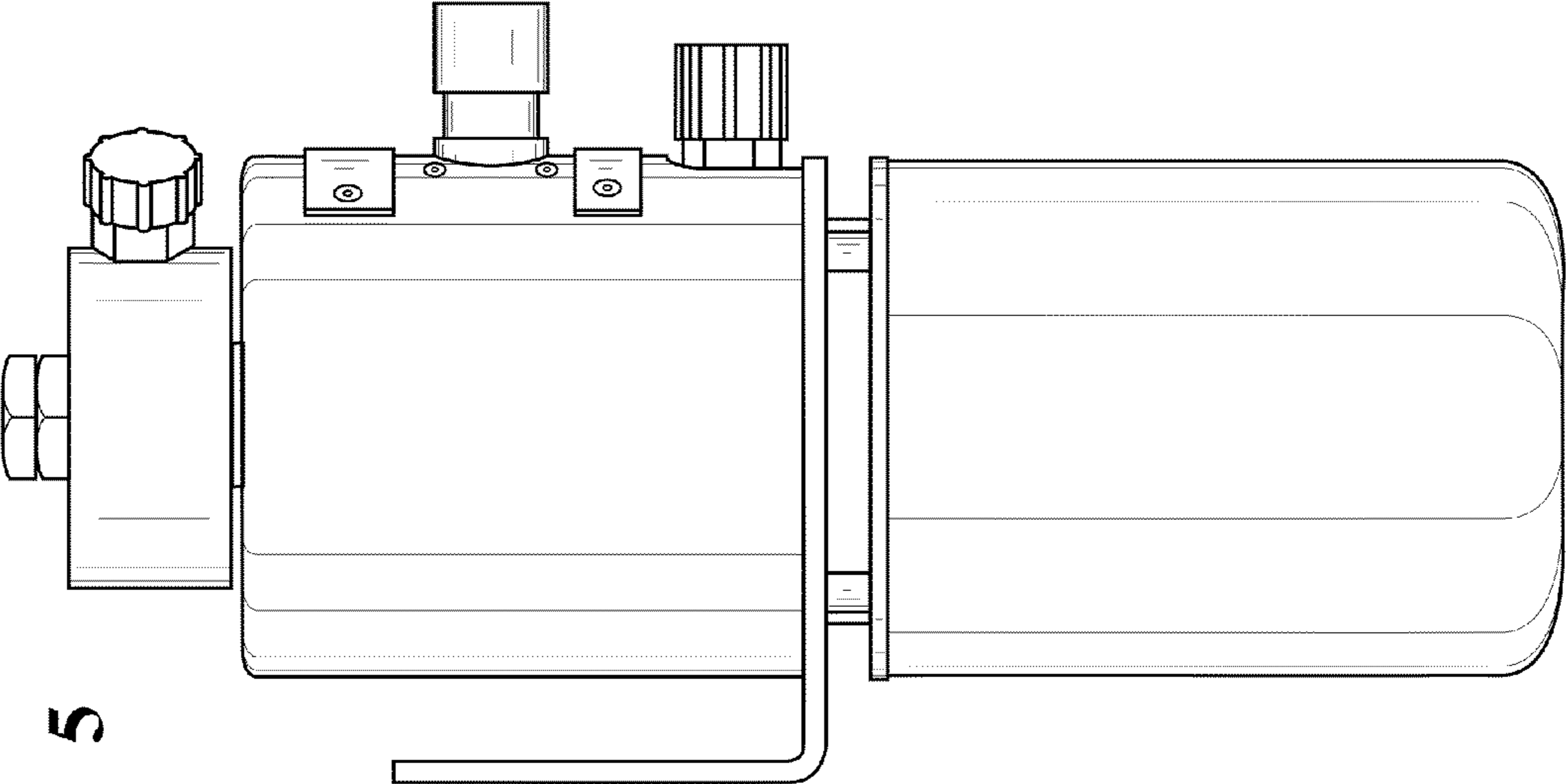


FIG. 5

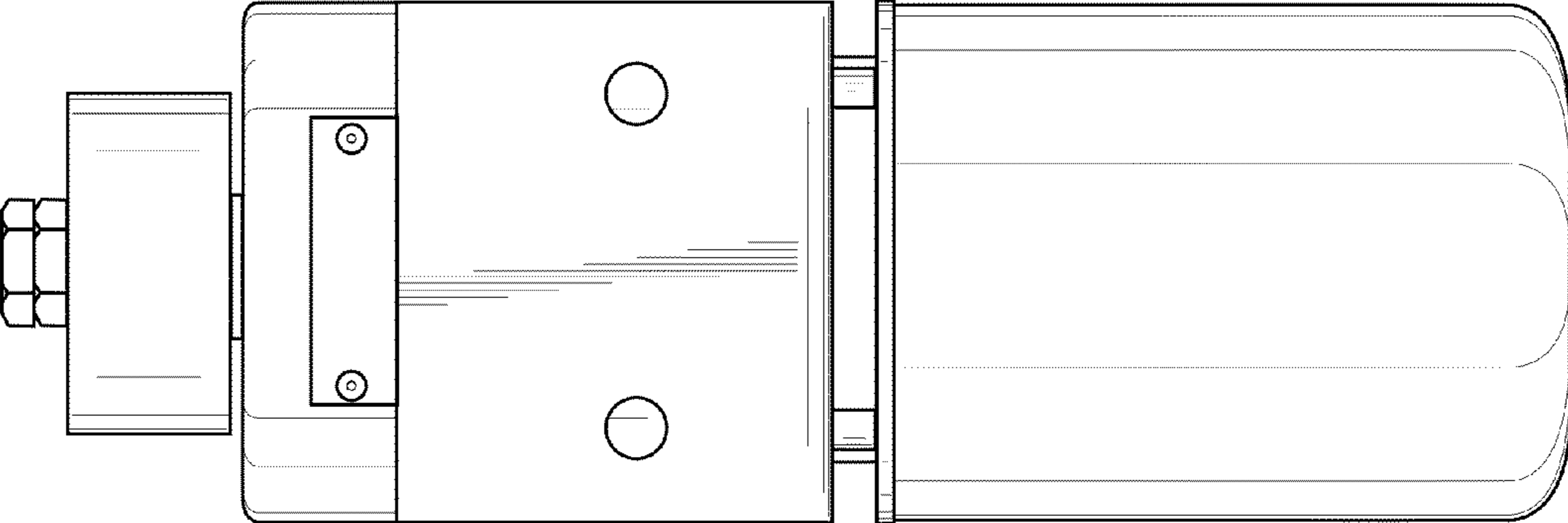


FIG. 4

FIG. 6

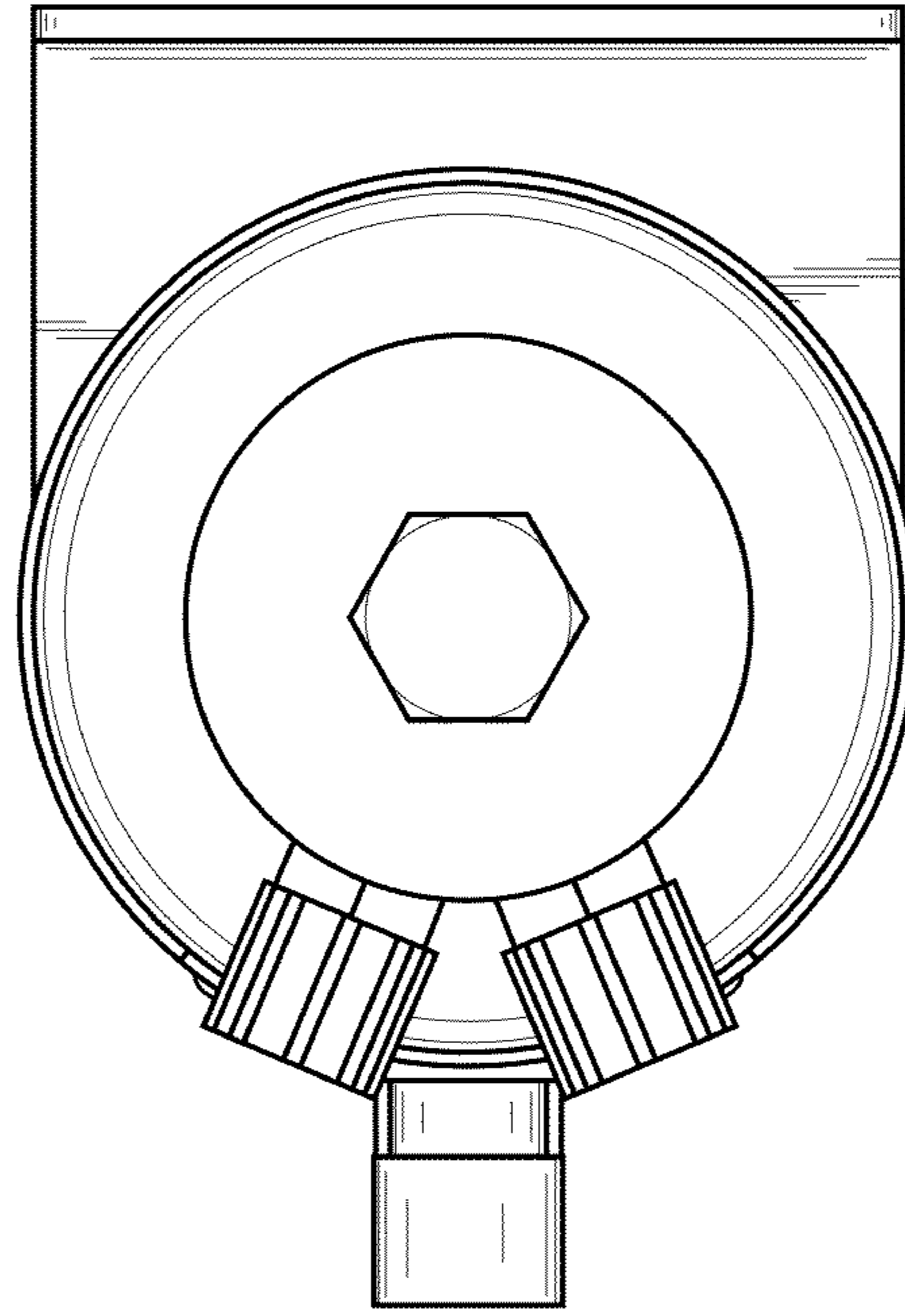


FIG. 7

