



US00D708530S

(12) **United States Design Patent**
Noda et al.

(10) **Patent No.:** **US D708,530 S**
(45) **Date of Patent:** **** Jul. 8, 2014**

(54) **COMPONENT ANALYZER**

(75) Inventors: **Hiroyuki Noda**, Kokubunji (JP);
Mitsuru Oonuma, Tokyo (JP); **Yoko Sato**, Fuchu (JP); **Kouji Ishiguro**, Hitachinaka (JP); **Hidetoshi Morokuma**, Hitachinaka (JP)

(73) Assignee: **Hitachi High-Technologies Corporation**, Tokyo (JP)

(**) Term: **14 Years**

(21) Appl. No.: **29/409,008**

(22) Filed: **Dec. 20, 2011**

(30) **Foreign Application Priority Data**

Jun. 30, 2011 (JP) 2011-014912

(51) **LOC (10) Cl.** **10-04**

(52) **U.S. Cl.**
USPC **D10/81**

(58) **Field of Classification Search**
USPC D24/107, 216, 223; D14/161, 168;
D10/81; 73/864.33, 864.8; 250/281;
436/50

See application file for complete search history.

(56) **References Cited**

U.S. PATENT DOCUMENTS

5,313,061 A * 5/1994 Drew et al. 250/281
D367,234 S * 2/1996 Henney et al. D10/81
5,525,799 A * 6/1996 Andresen et al. 250/288
D392,739 S * 3/1998 Bertagnole et al.
D537,034 S * 2/2007 Kang et al. D13/103
D557,156 S * 12/2007 Kon D10/81
D579,569 S * 10/2008 Strawn et al. D24/186

2007/0221838 A1 * 9/2007 Lenke et al. 250/288
2009/0325300 A1 * 12/2009 Clift et al. 436/57
2010/0273272 A1 * 10/2010 Haas et al. 436/169

OTHER PUBLICATIONS

GE Security, Perceptive Itemiser® Desktop Explosives and Narcotics Detection, publication date before Jan. 2007.

* cited by examiner

Primary Examiner — Ian Simmons

Assistant Examiner — Richelle G Shelton

(74) *Attorney, Agent, or Firm* — Antonelli, Tarry, Stout & Kraus, LLP.

(57) **CLAIM**

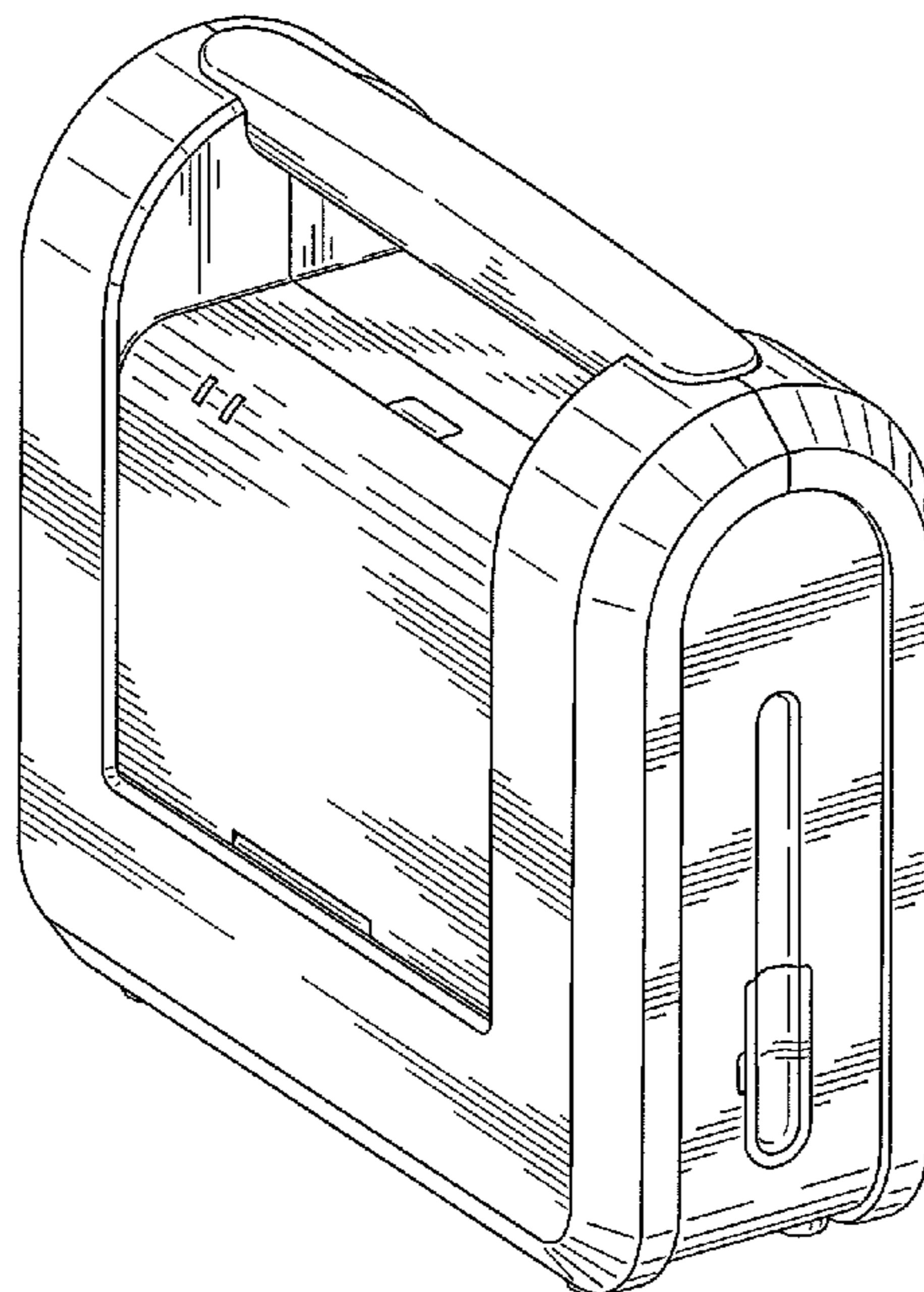
The ornamental design for a component analyzer, as shown and described.

DESCRIPTION

FIG. 1 is a front, top and right side perspective view of a component analyzer showing our new design; FIG. 2 is a front elevational view thereof; FIG. 3 is a rear elevational view thereof; FIG. 4 is a left side elevational view thereof; FIG. 5 is a right side elevational view thereof; FIG. 6 is a top plan view thereof; FIG. 7 is a bottom plan view thereof; FIG. 8 is a right side elevational view thereof in an opened position; and, FIG. 9 is a front elevational view thereof in an opened position.

The broken lines in FIG. 9 are included for the purpose of illustrating portions of the component analyzer that form no part of the claimed design.

1 Claim, 4 Drawing Sheets



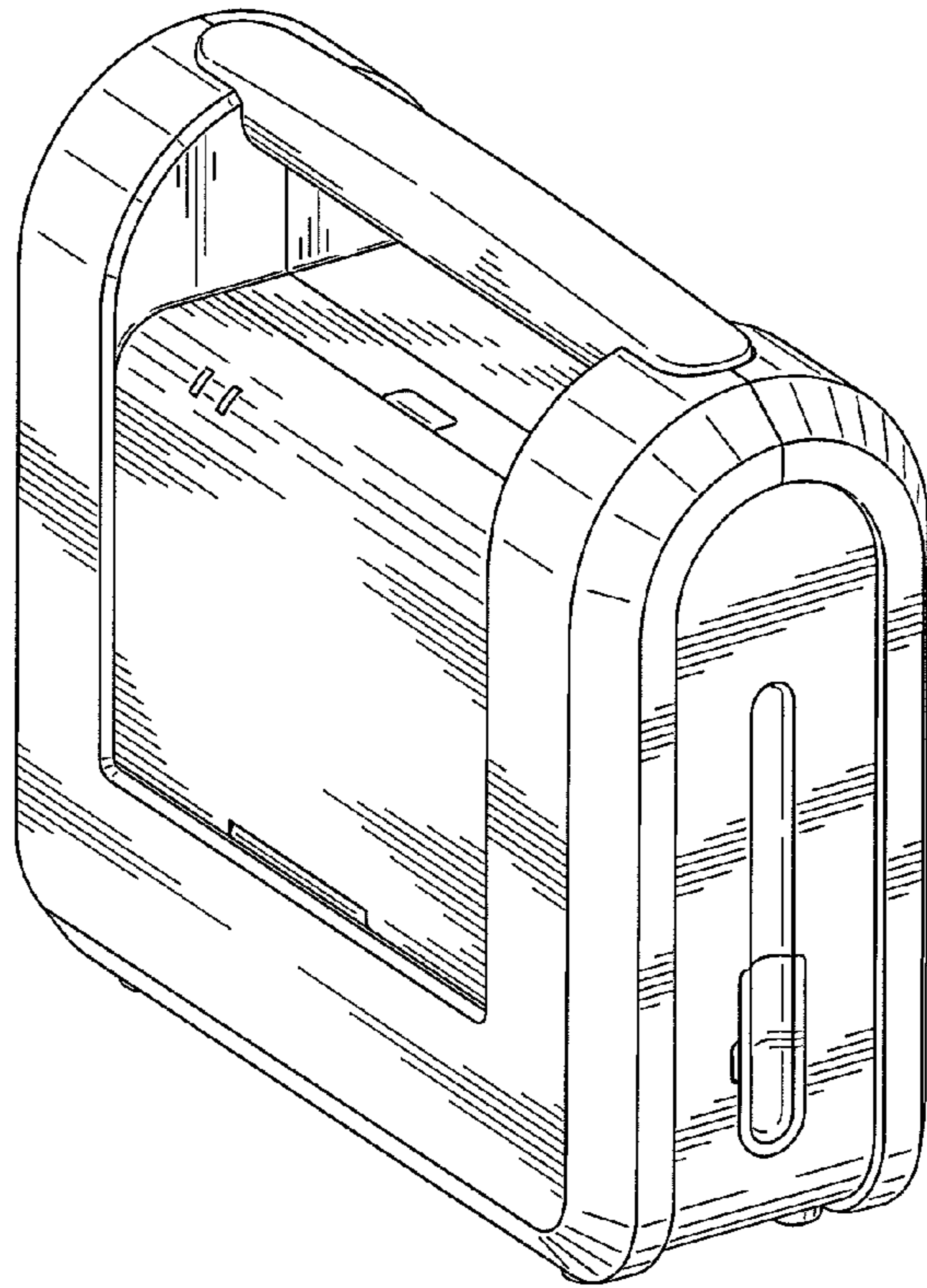


FIG. 1

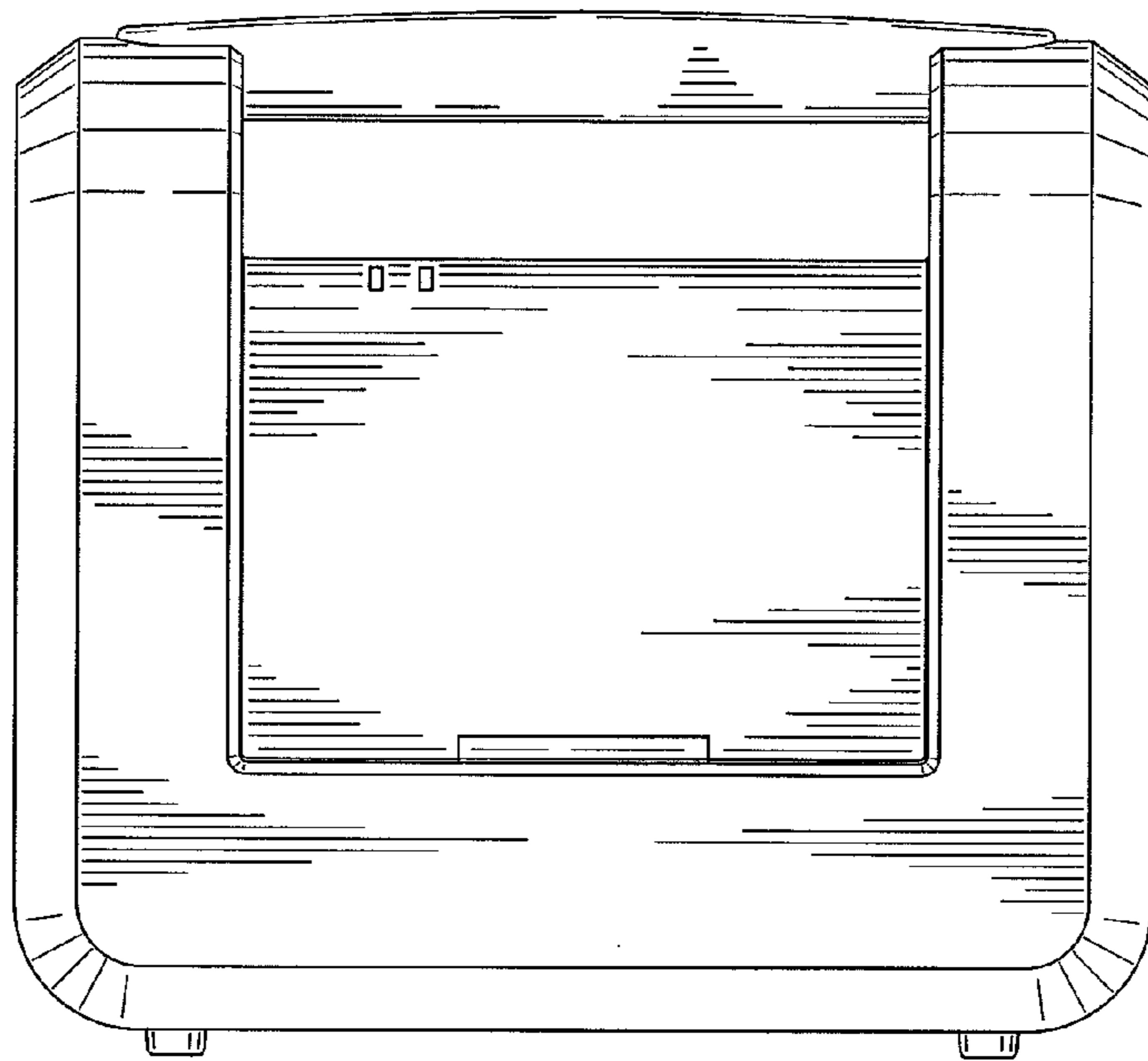


FIG. 2

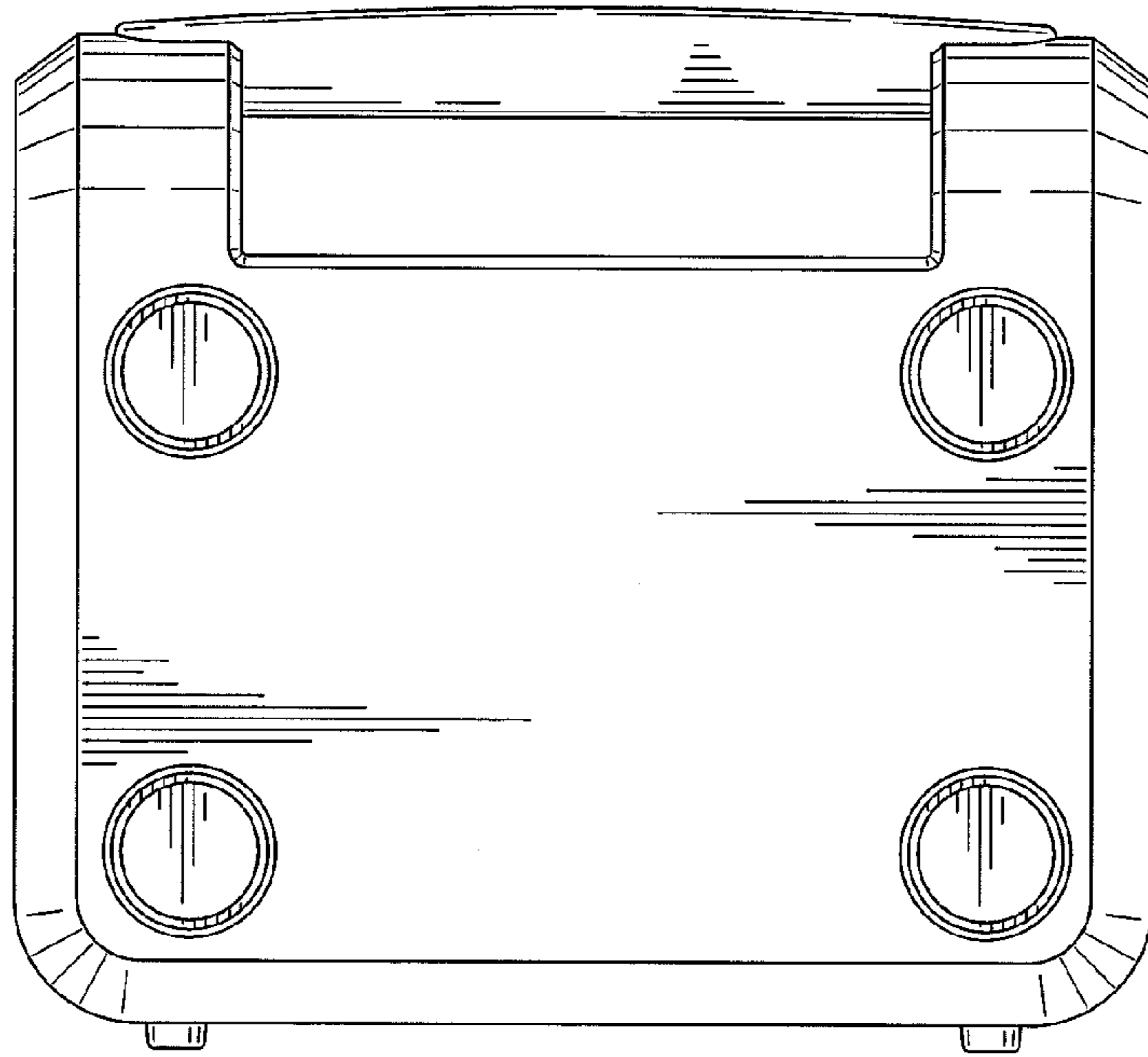


FIG. 3

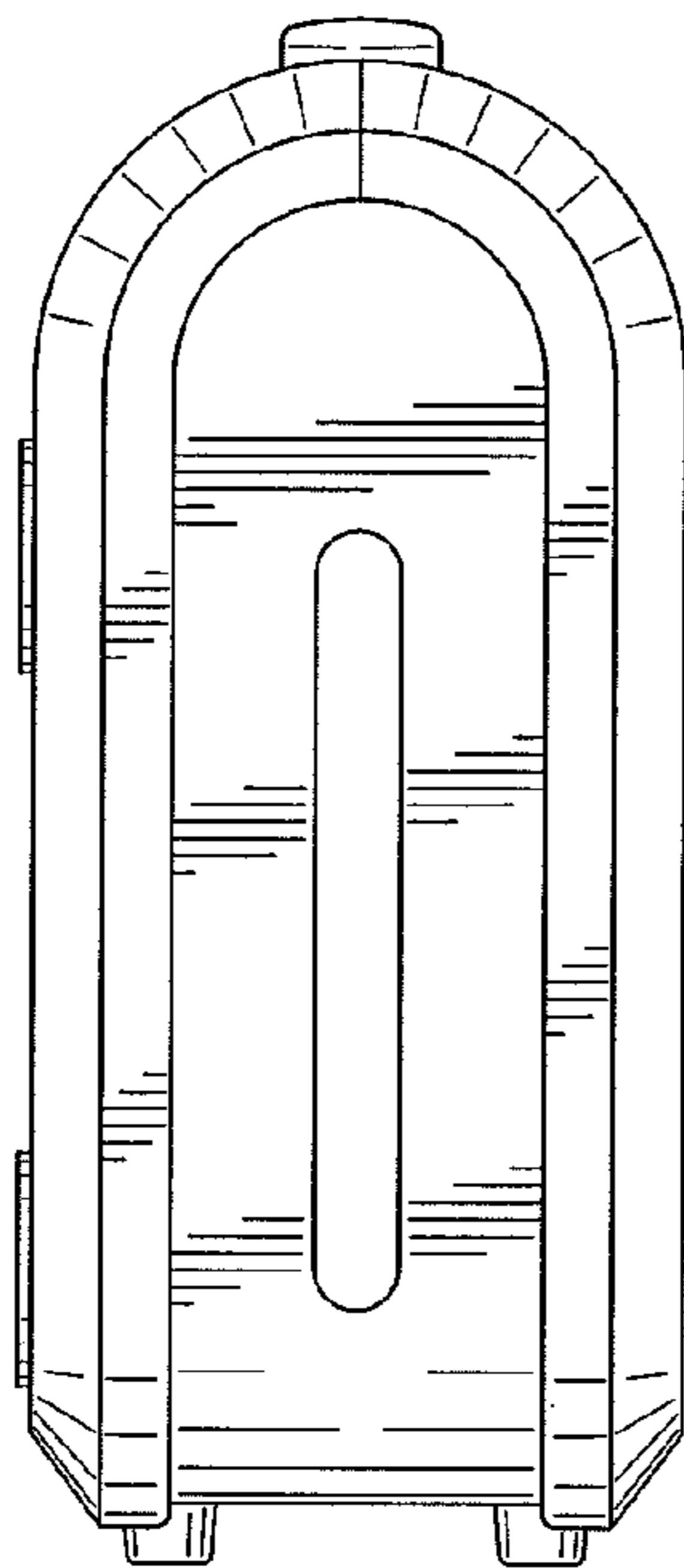


FIG. 4

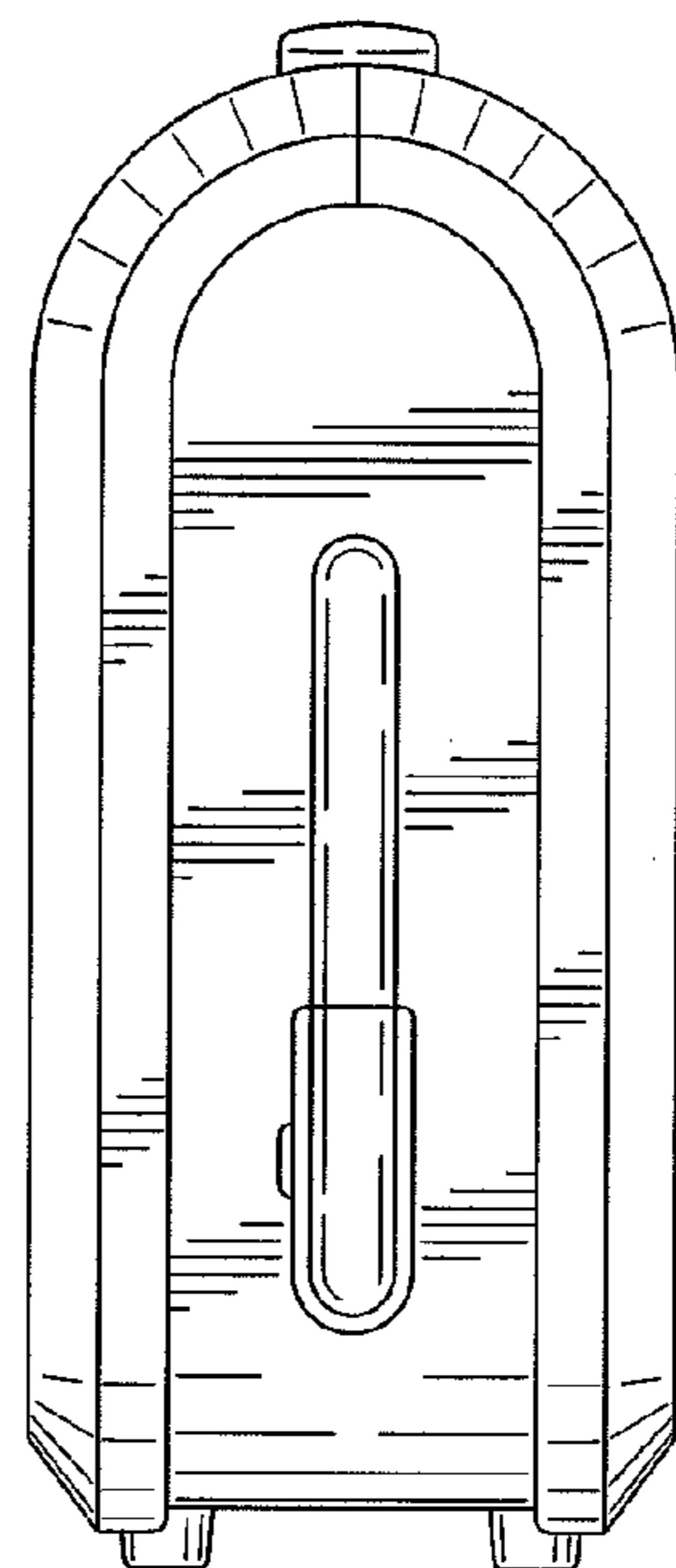


FIG. 5

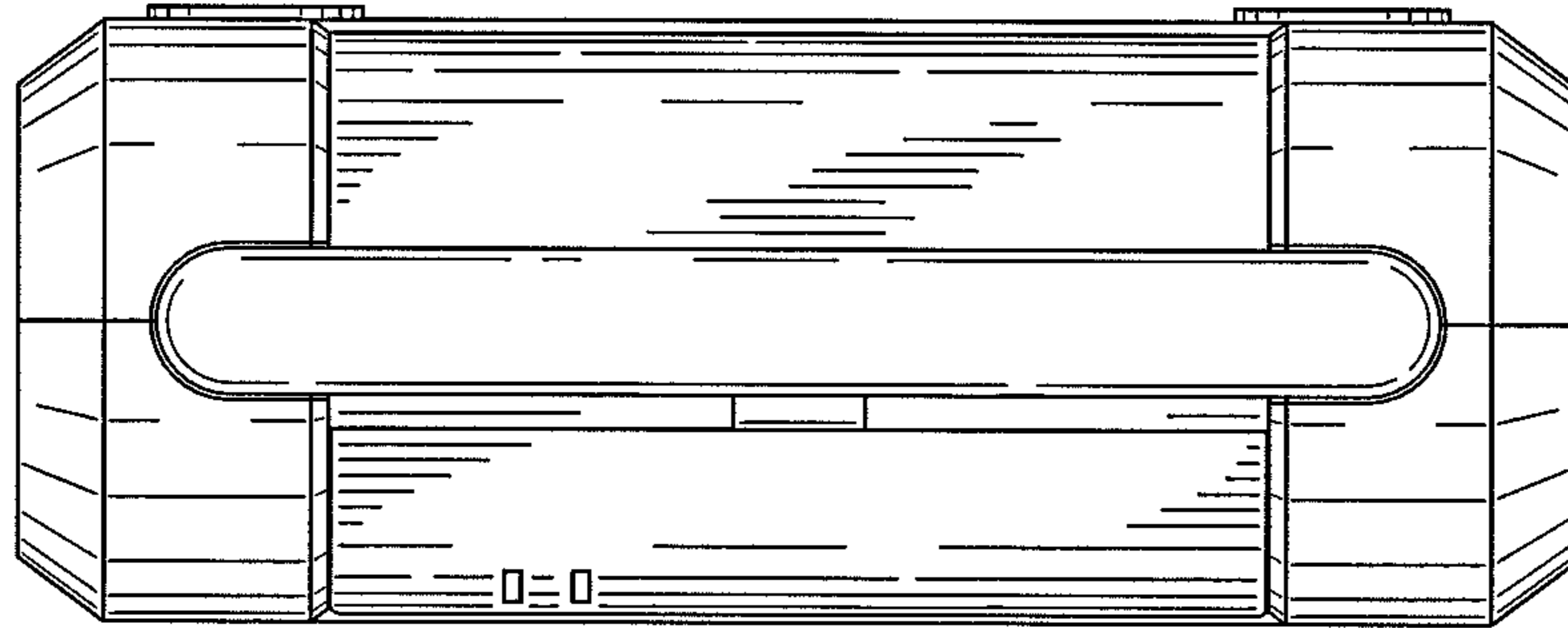


FIG. 6

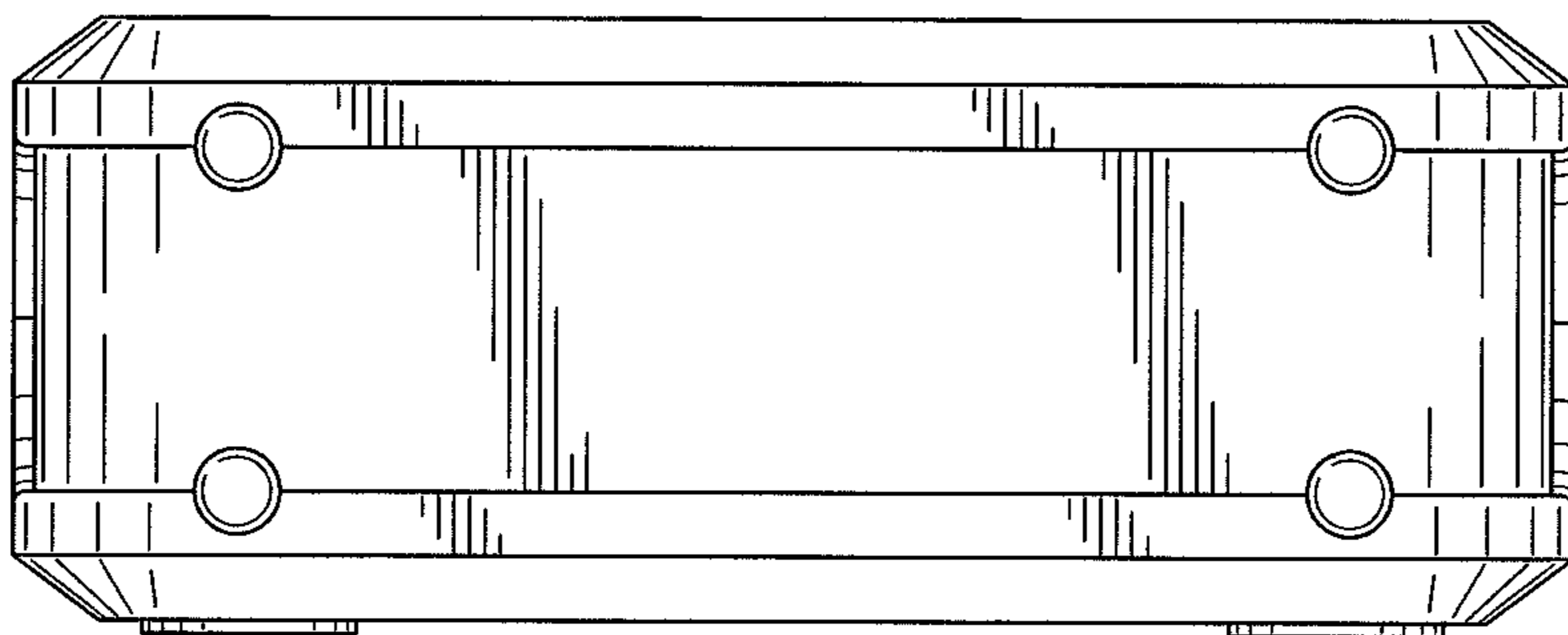


FIG. 7

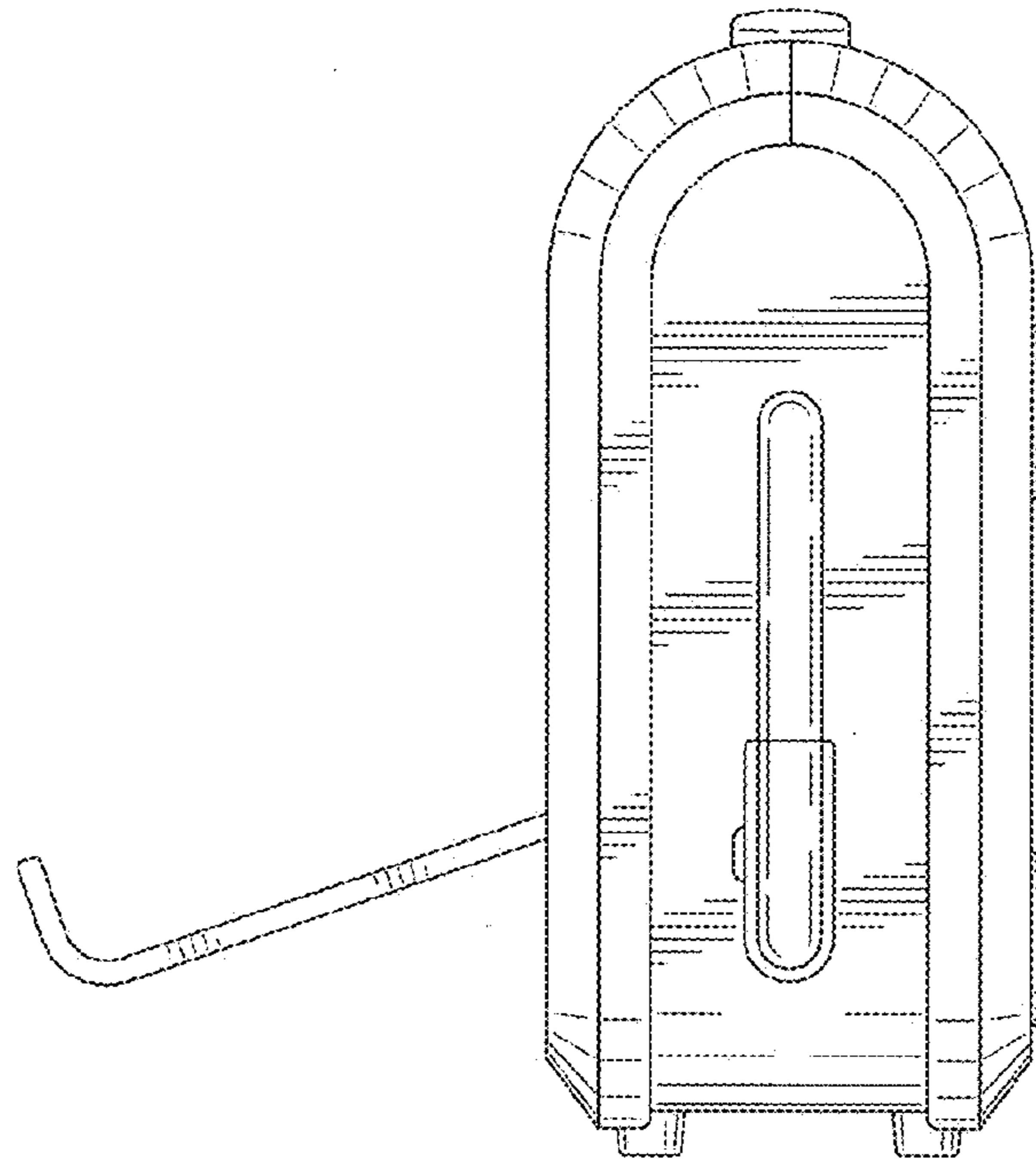


FIG. 8

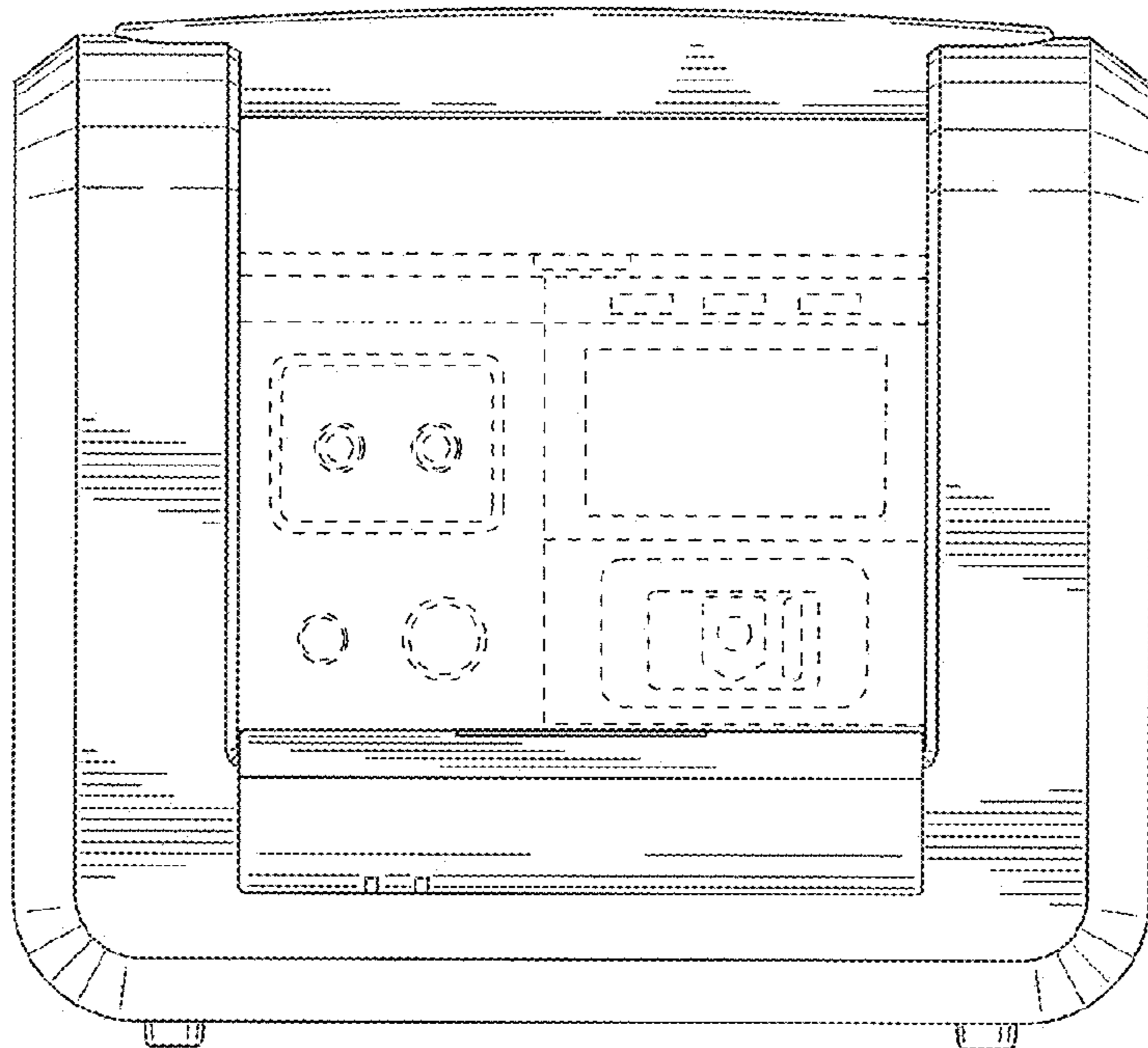


FIG. 9