



US00D708528S

(12) **United States Design Patent**  
**Huang**

(10) **Patent No.:** **US D708,528 S**

(45) **Date of Patent:** **\*\* Jul. 8, 2014**

(54) **PRESENCE DETECTOR**

(71) Applicant: **Everspring Industry Co., Ltd.**, New Taipei (TW)

(72) Inventor: **Wei Chung Huang**, New Taipei (TW)

(73) Assignee: **Everspring Industry Co., Ltd.**, New Taipei (TW)

(\*\*) Term: **14 Years**

(21) Appl. No.: **29/435,591**

(22) Filed: **Oct. 25, 2012**

(51) **LOC (10) Cl.** ..... **10-04**

(52) **U.S. Cl.**  
USPC ..... **D10/70; D10/65**

(58) **Field of Classification Search**  
CPC .. A61B 5/1115; A61B 5/1117; A61B 5/6891;  
A61G 7/002; E05F 15/2023; G08B 13/19697;  
G08B 21/0476; G08B 21/043; G08B 25/06;  
G08B 13/187; G01S 15/18; G01S 15/88;  
G01S 15/04; G01V 8/22  
USPC ..... D10/46, 65, 70, 75, 78, 97,  
D10/706.1–106.8; 343/702; 345/87, 104,  
345/133, 156, 168, 173, 901–905, 165;  
348/180, 184, 315, 739, 836, 838, 325;  
364/444, 499; 701/408–418, 431, 432,  
701/537; 312/7.2; 341/12; 720/605, 669,  
720/600, 655; 369/99, 197; 455/344, 347,  
455/575.1; 250/221, 338.3, 340, 239, 342,  
250/341, DIG. 1, 353; 307/116, 117;  
340/521, 527, 541, 567, 540, 568.2,

340/539.23, 635, 687; 315/159; 324/72.5,  
324/556, 133, 149, 503, 543, 555, 66, 72,  
324/754, 115, 141, 522; 73/615, 624, 627,  
73/644, 514.33, 514.34, 510, 513, 527,  
73/530; 356/3.01–5.15; 235/105; 377/5,  
377/24.2, 26

See application file for complete search history.

(56) **References Cited**

U.S. PATENT DOCUMENTS

D688,960 S \* 9/2013 Santos et al. .... D10/70

\* cited by examiner

*Primary Examiner* — Antoine D Davis

(74) *Attorney, Agent, or Firm* — Muncy, Geissler, Olds & Lowe, P.C.

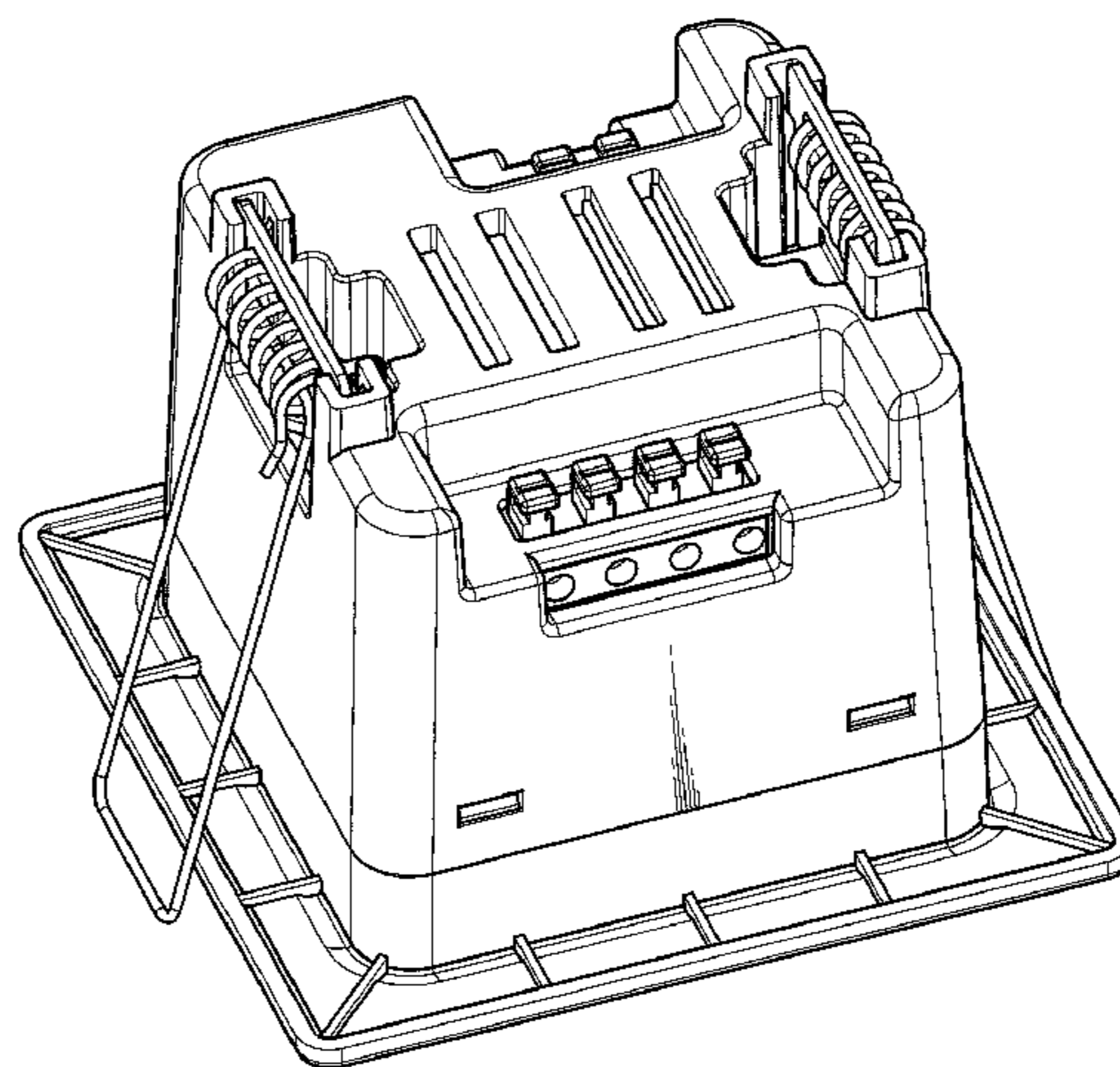
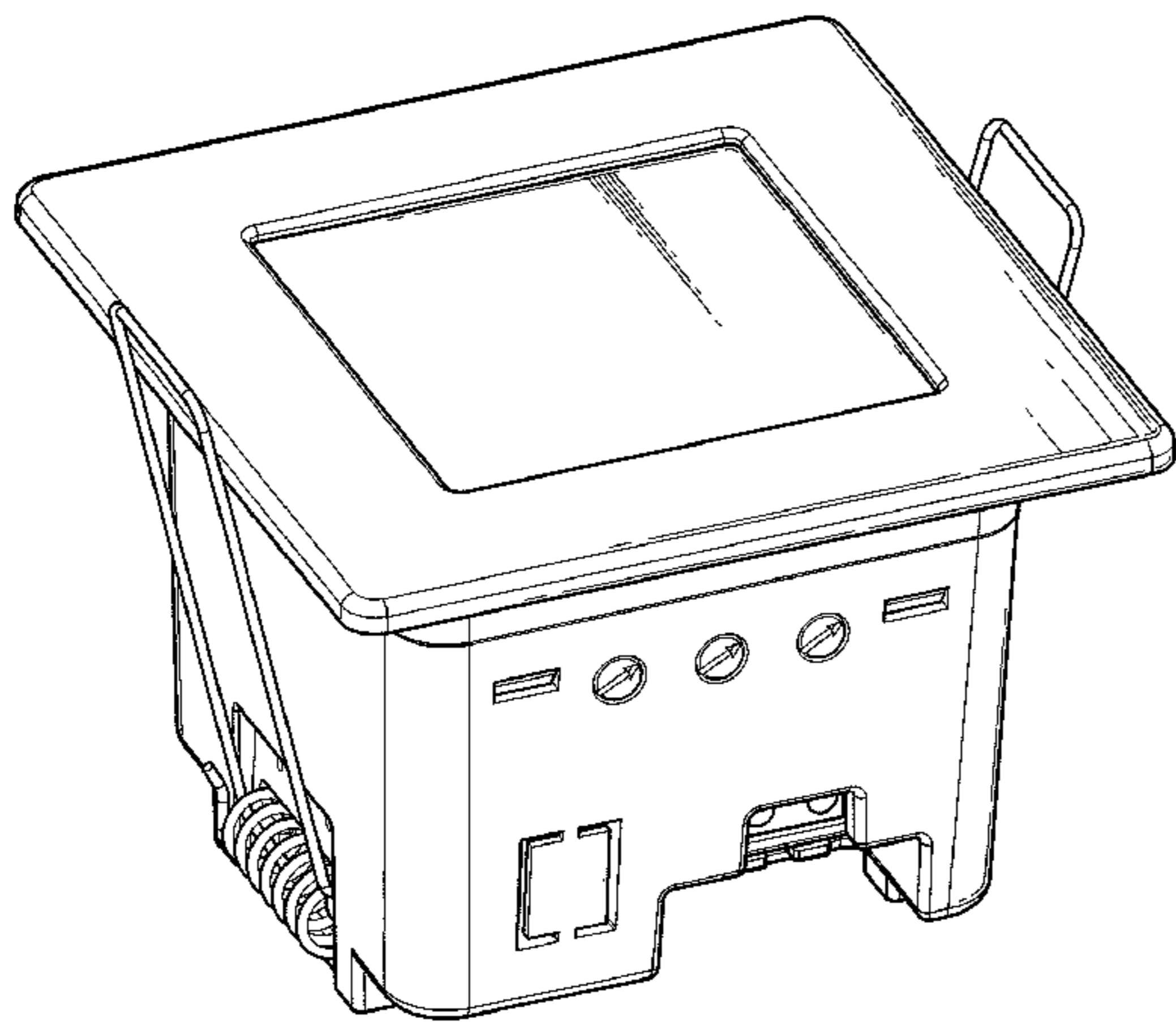
(57) **CLAIM**

The ornamental design for a presence detector, as shown and described.

**DESCRIPTION**

FIG. 1 is a perspective view of a presence detector showing my new design;  
FIG. 2 is a right side view thereof;  
FIG. 3 is a top plan view thereof  
FIG. 4 is a front elevational view thereof;  
FIG. 5 is a bottom plan view thereof;  
FIG. 6 is a left side view thereof;  
FIG. 7 is a rear perspective view thereof; and,  
FIG. 8 is another perspective view thereof.

**1 Claim, 5 Drawing Sheets**



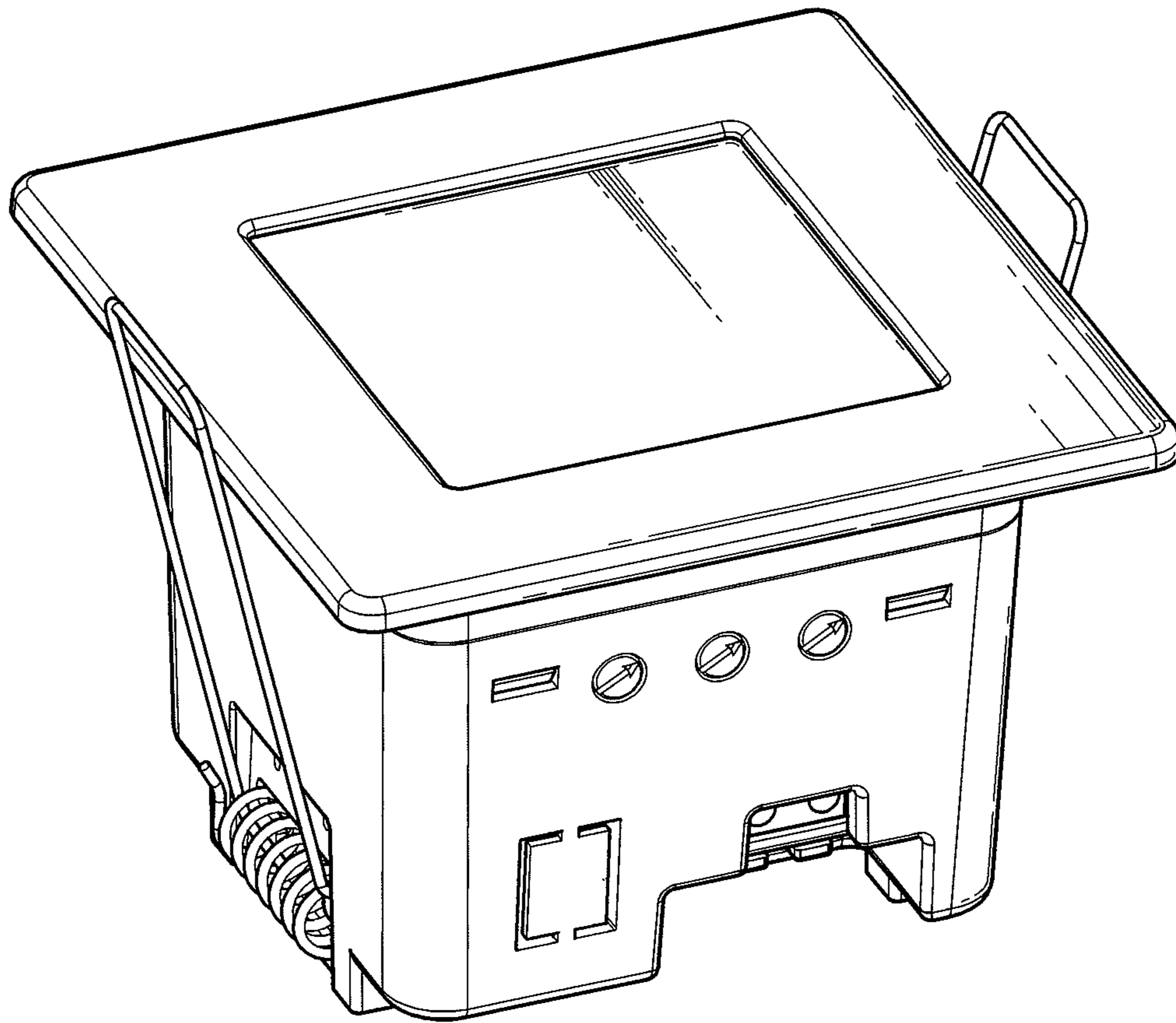


Fig. 1

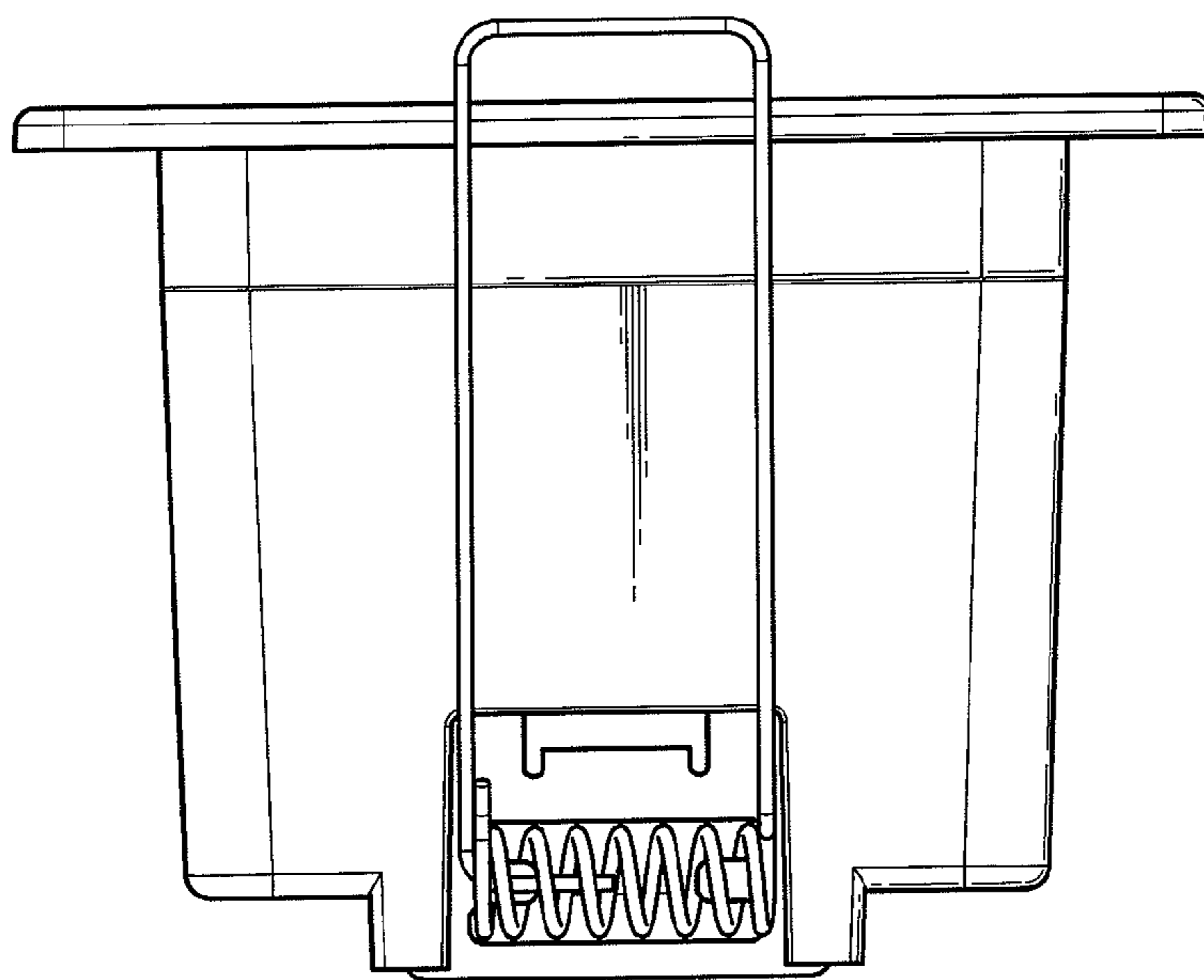


Fig. 2

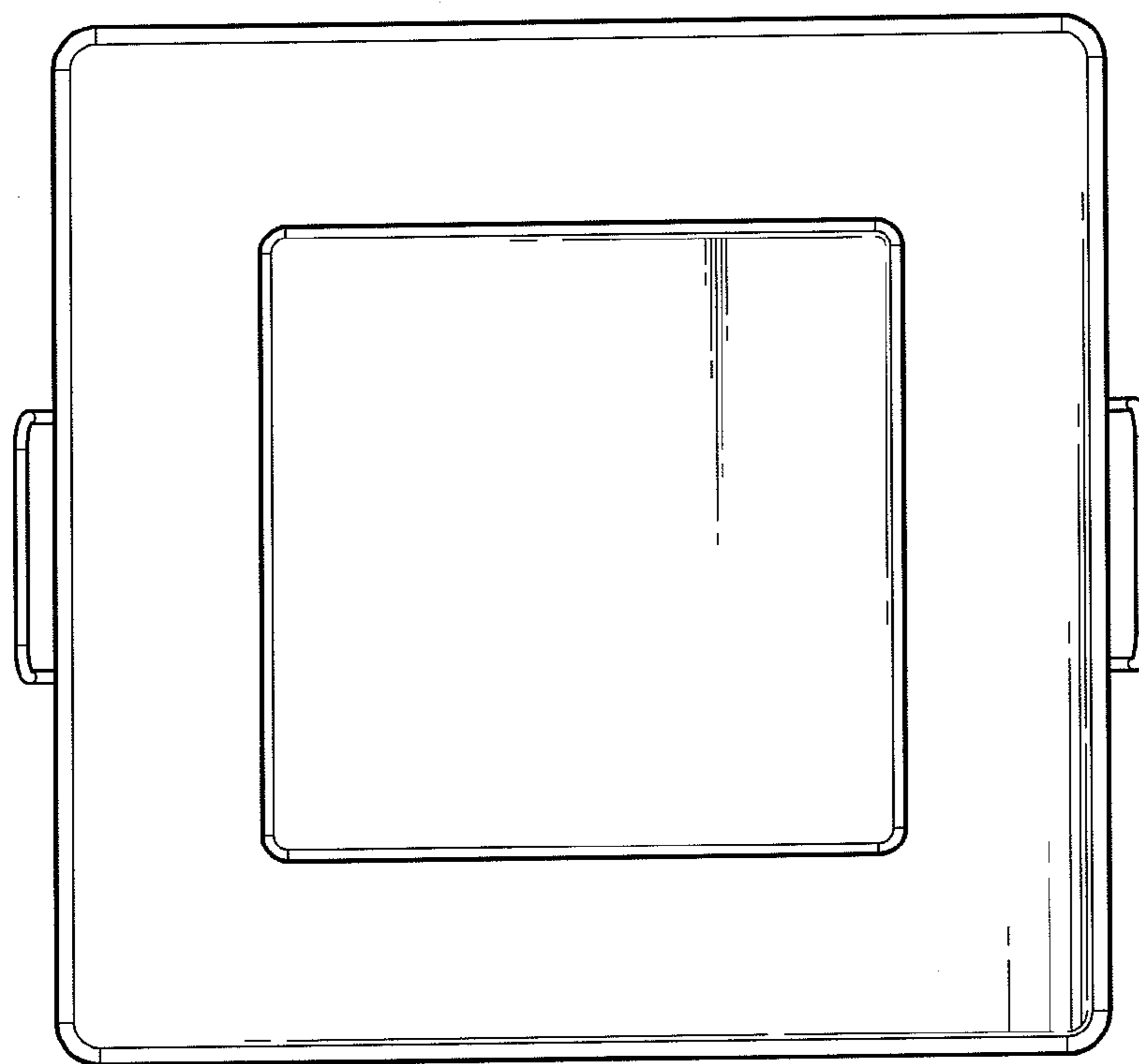


Fig. 3

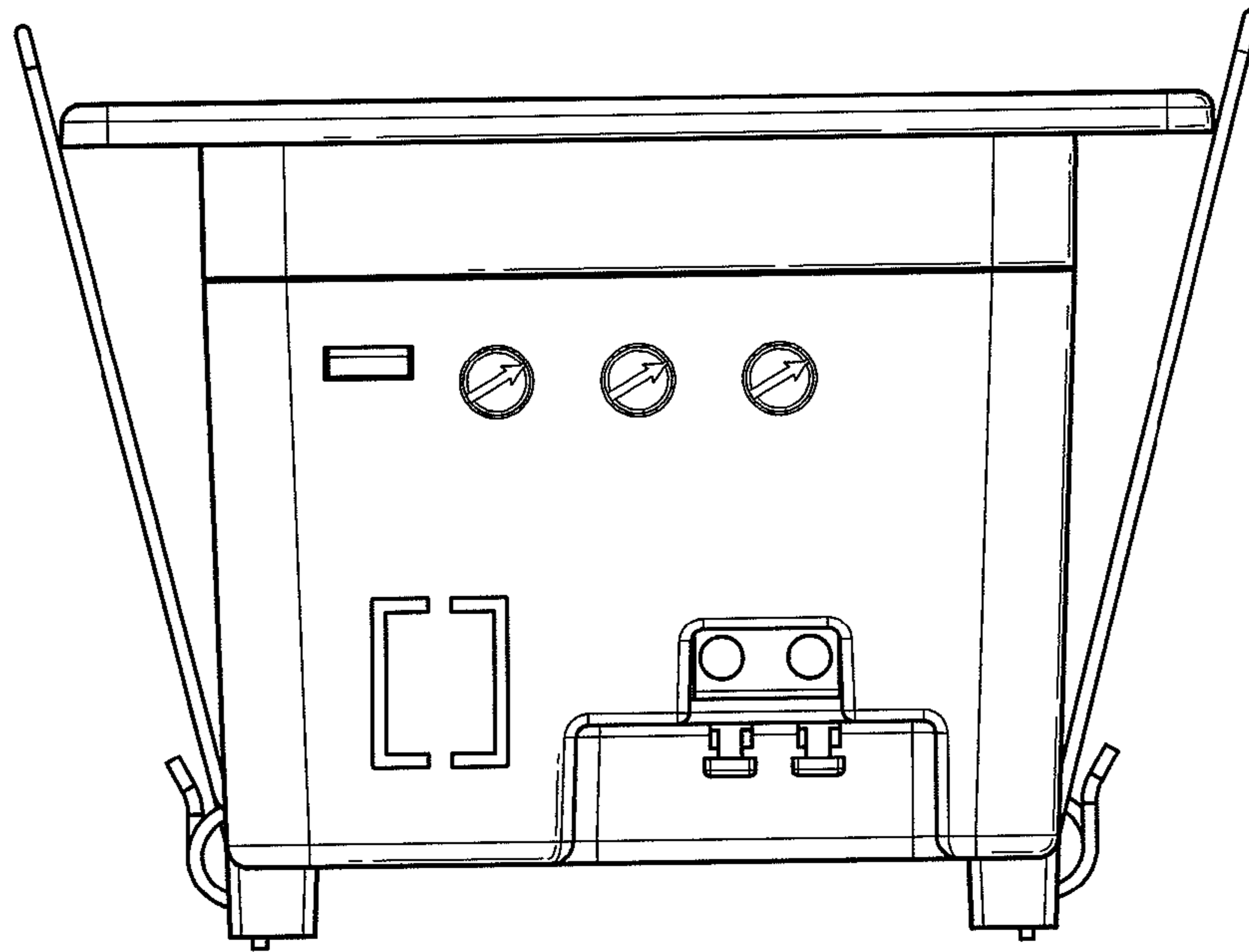


Fig. 4

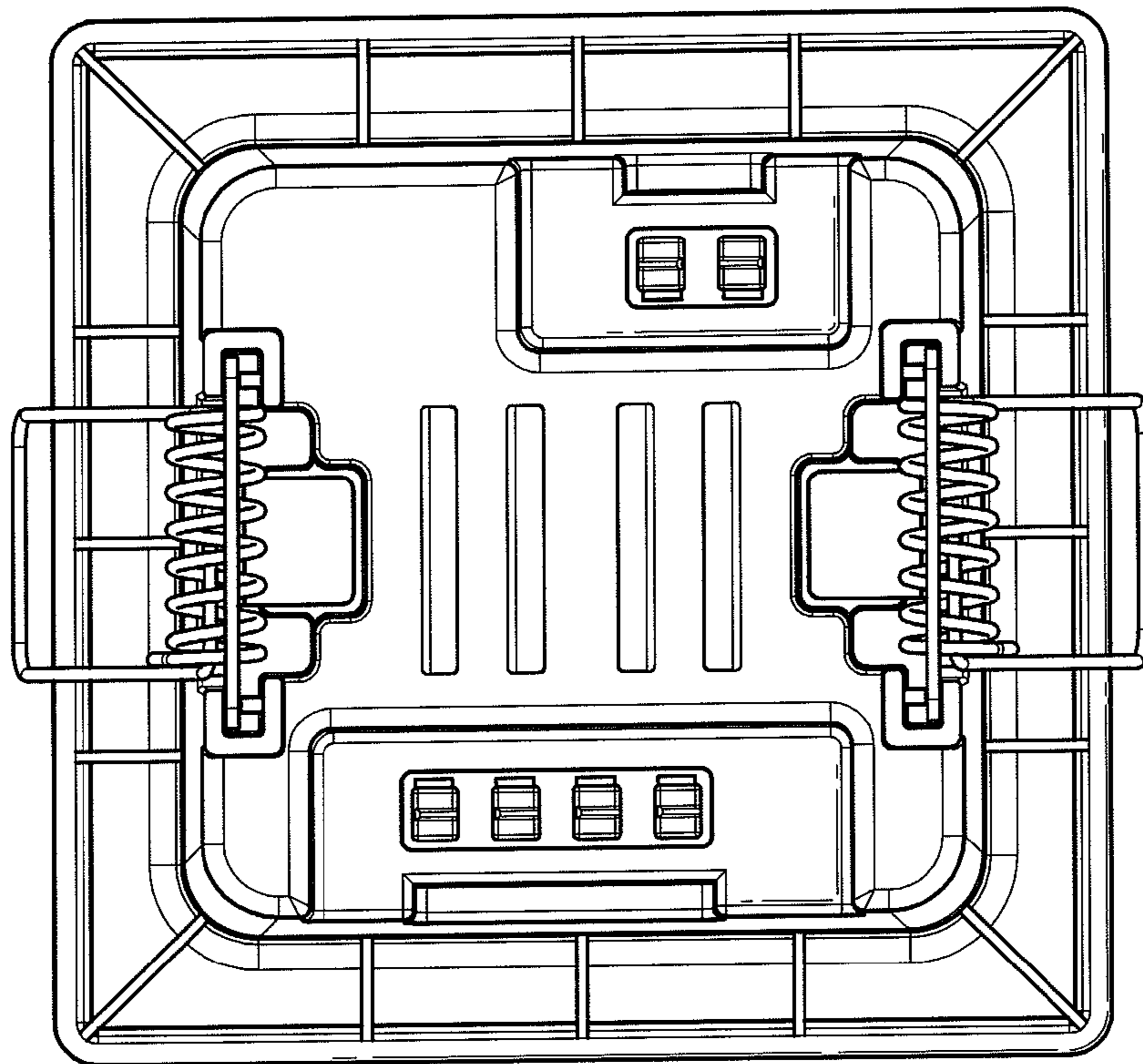


Fig. 5

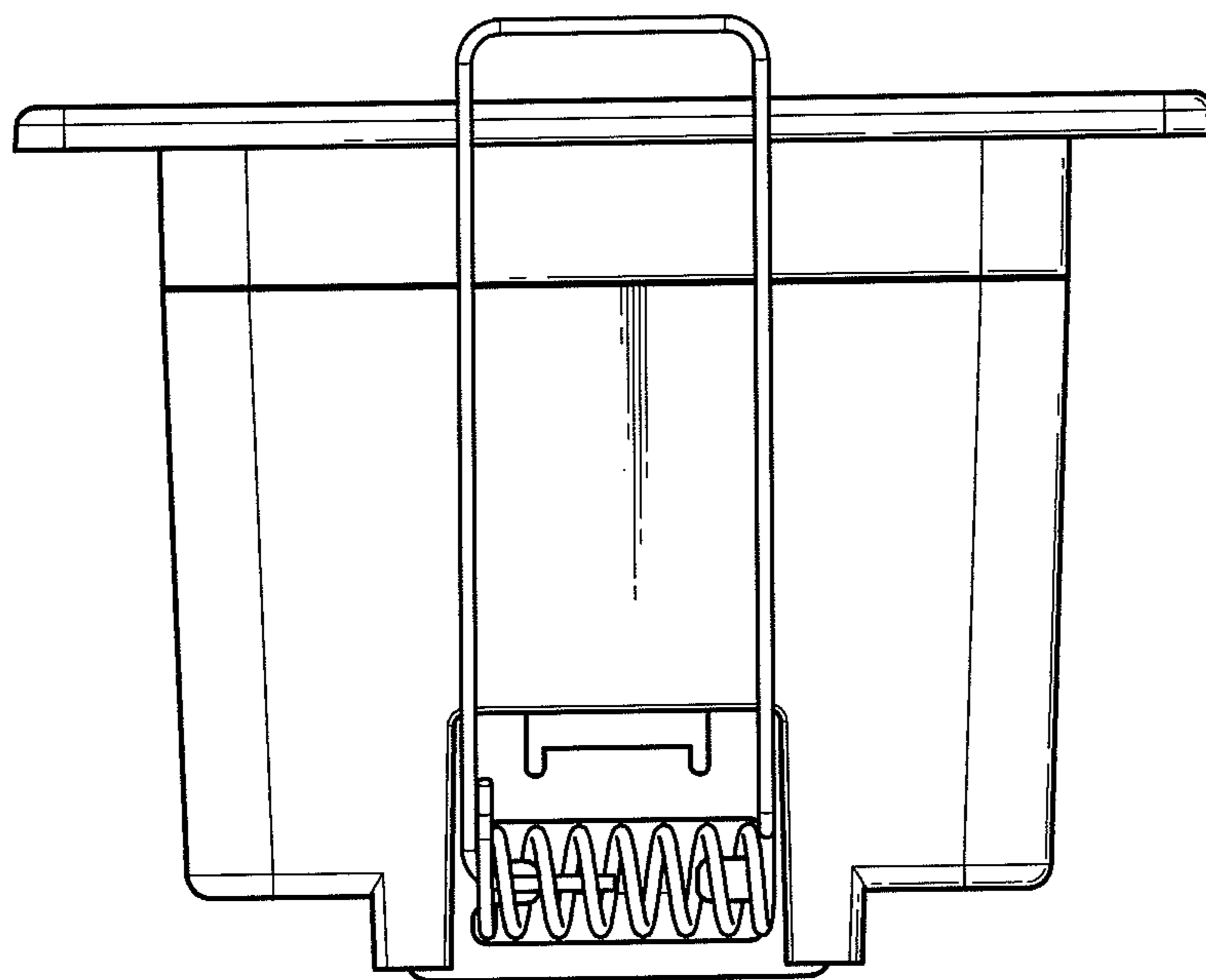


Fig. 6

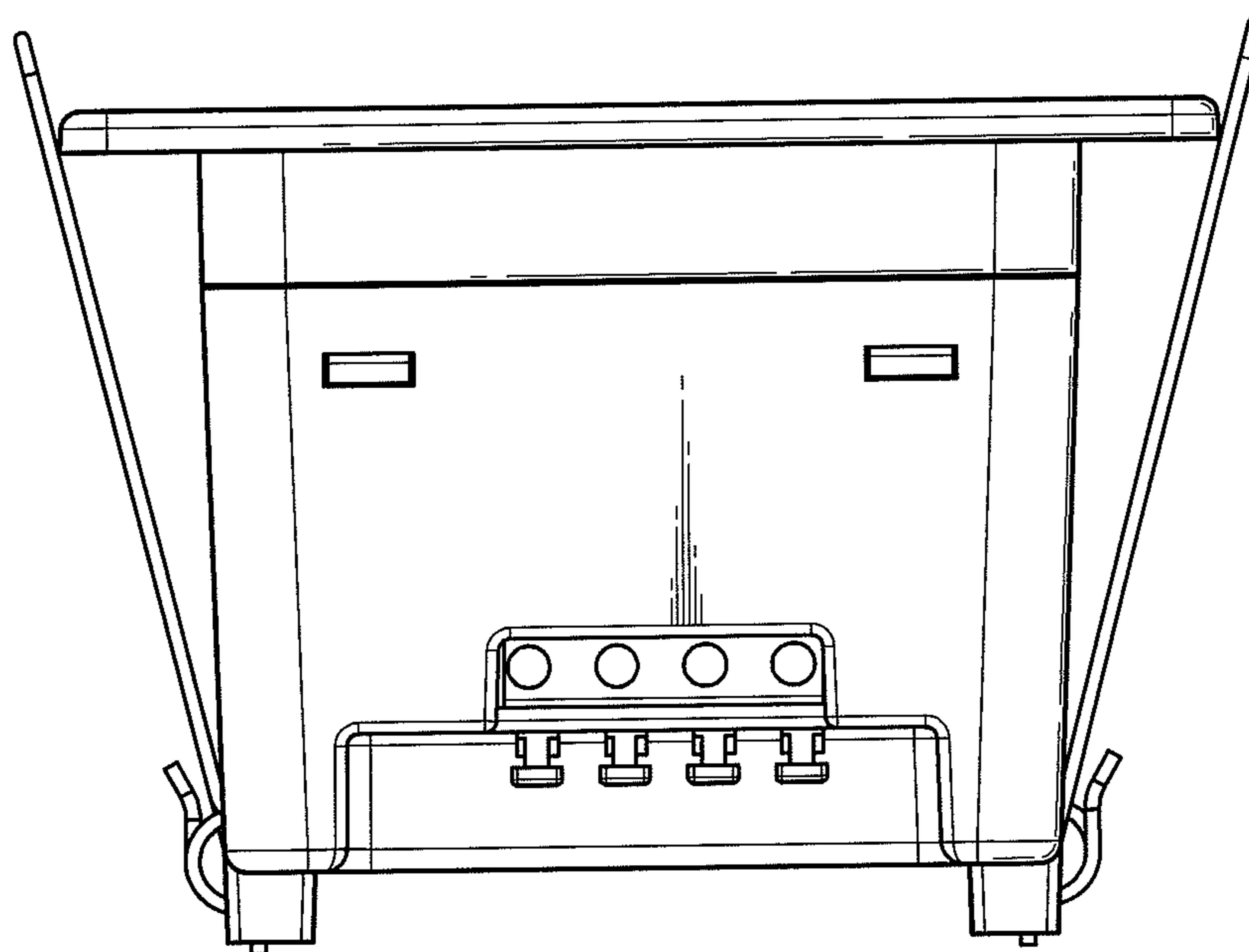


Fig. 7



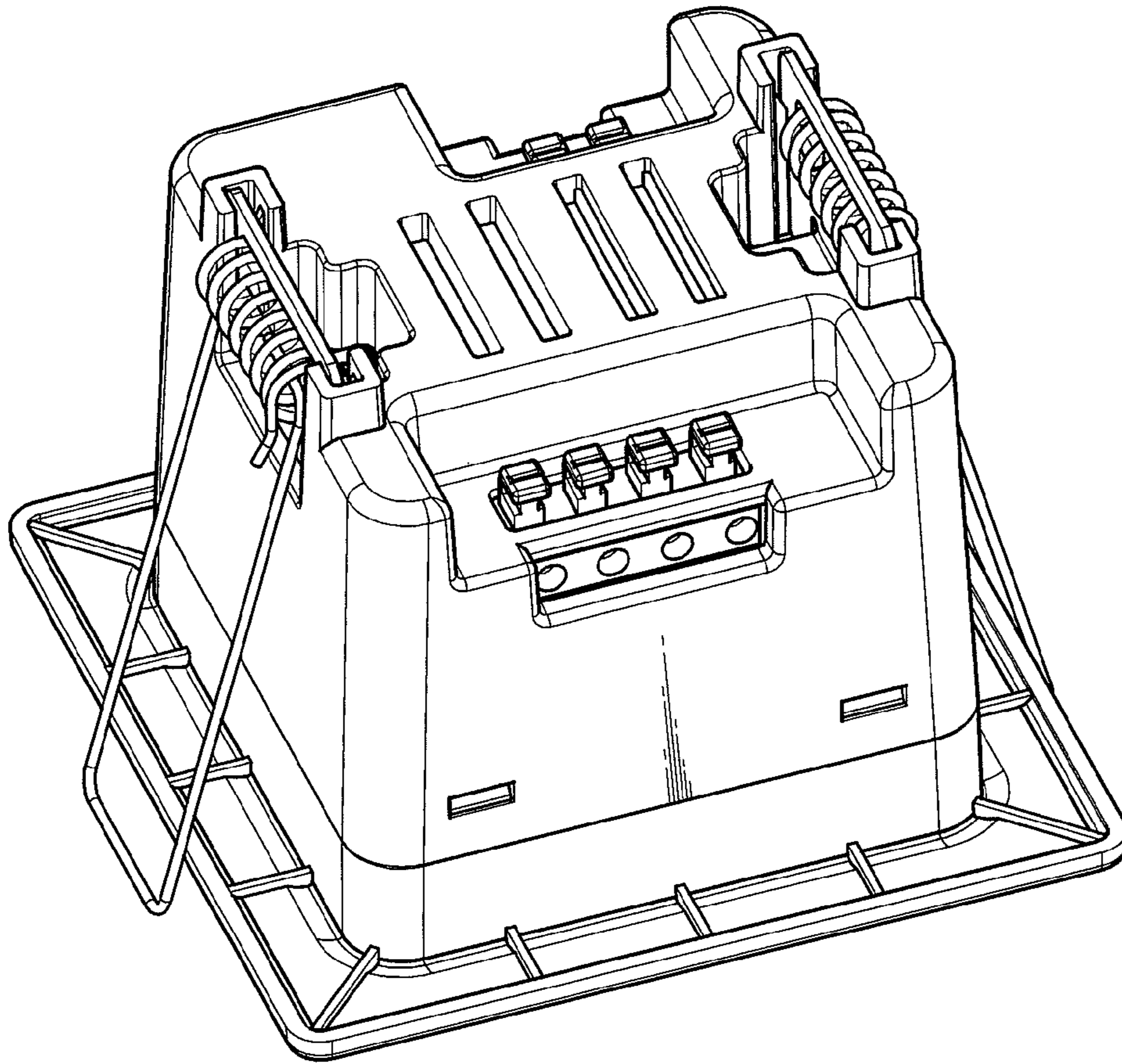


Fig. 8