



US00D708525S

(12) **United States Design Patent**
Wagner

(10) **Patent No.:** **US D708,525 S**
(45) **Date of Patent:** **** Jul. 8, 2014**

(54) **MULTIPLE BEVERAGE HOLDER WITH ATTACHMENT FEATURES**

(71) Applicant: **Cole & Ashcroft L.P.**, Houston, TX (US)

(72) Inventor: **Paul Wagner**, Houston, TX (US)

(73) Assignee: **Cole & Ashcroft, L.P.**, Houston, TX (US)

(**) Term: **14 Years**

(21) Appl. No.: **29/470,898**

(22) Filed: **Oct. 25, 2013**

(51) **LOC (10) Cl.** **09-03**

(52) **U.S. Cl.**
USPC **D9/753**

(58) **Field of Classification Search**
USPC D9/431, 432, 737, 761, 749-755;
229/117.14, 117.09, 117.12, 904, 406,
229/407; 206/162, 198, 199, 147, 193, 194,
206/427, 216, 163, 167, 169, 175, 541, 549,
206/446, 200, 203, 217, 510, 564, 139,
206/201; 220/755, 757; 211/126.16, 74,
211/199, 162, 459.5, 562, 141, 158, 203,
211/510; 283/56; 224/148.4; D3/309;
D7/706

See application file for complete search history.

(56) **References Cited**

U.S. PATENT DOCUMENTS

D161,606	S	*	1/1951	Forrer	D9/753
D164,466	S	*	9/1951	Arneson	D9/753
2,917,202	A	*	12/1959	Forrer	206/190
D206,359	S	*	11/1966	Wood	D9/753
3,335,906	A	*	8/1967	Forrer	206/188
3,412,894	A	*	11/1968	Wood	206/188
4,000,813	A	*	1/1977	Stout	206/187
4,000,814	A	*	1/1977	Stout	206/187

5,531,319	A	7/1996	Harrelson	
5,538,131	A	7/1996	Harrelson	
5,927,502	A	7/1999	Hunter	
D442,483	S	5/2001	Holden	
6,341,689	B1	*	1/2002	Jones 206/175
D477,530	S	7/2003	von Braun et al.	
6,834,762	B2	12/2004	Krisko et al.	
6,866,187	B2	3/2005	Reagan et al.	
D505,336	S	5/2005	Schuster	
D567,079	S	4/2008	Fant	
D567,670	S	4/2008	Say Ulin	
D567,671	S	4/2008	Say Ulin	
D698,267	S	*	1/2014	Wagner D9/753
2005/0109639	A1	*	5/2005	Cuomo 206/139

* cited by examiner

Primary Examiner — Mark Goodwin

(74) *Attorney, Agent, or Firm* — Sutton McLaughan Deaver, PLLC

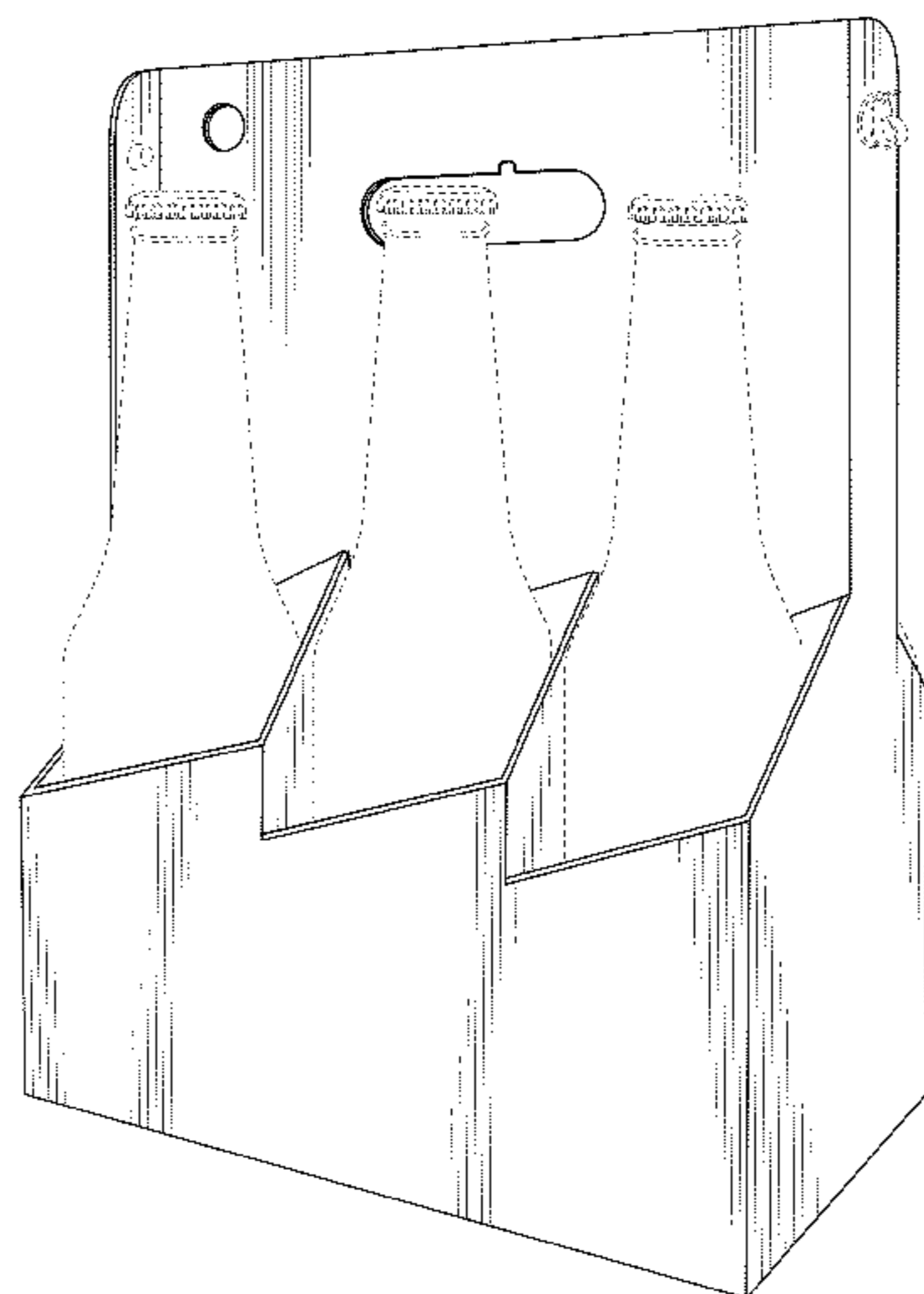
(57) **CLAIM**

The ornamental design for a multiple beverage holder with attachment features, as shown and described.

DESCRIPTION

FIG. 1 is an isometric front perspective view of a multiple beverage holder with attachment features showing my new design;
 FIG. 2 is a side elevation view thereof;
 FIG. 3 is a side elevation view thereof, showing the side opposite that of the beverage holder in FIG. 2;
 FIG. 4 is a front end view thereof;
 FIG. 5 is a rear end view thereof, showing the end opposite that of the beverage holder in FIG. 4;
 FIG. 6 is a top elevational view thereof;
 FIG. 7 is a bottom view thereof; and,
 FIG. 8 is a top plan view of a blank for forming the carton of FIG. 1, the bottom plan view being a mirror image thereof.
 The broken lines in the Figures are for the purpose of illustrating exemplary environmental structure and form no part of the claimed design.

1 Claim, 7 Drawing Sheets



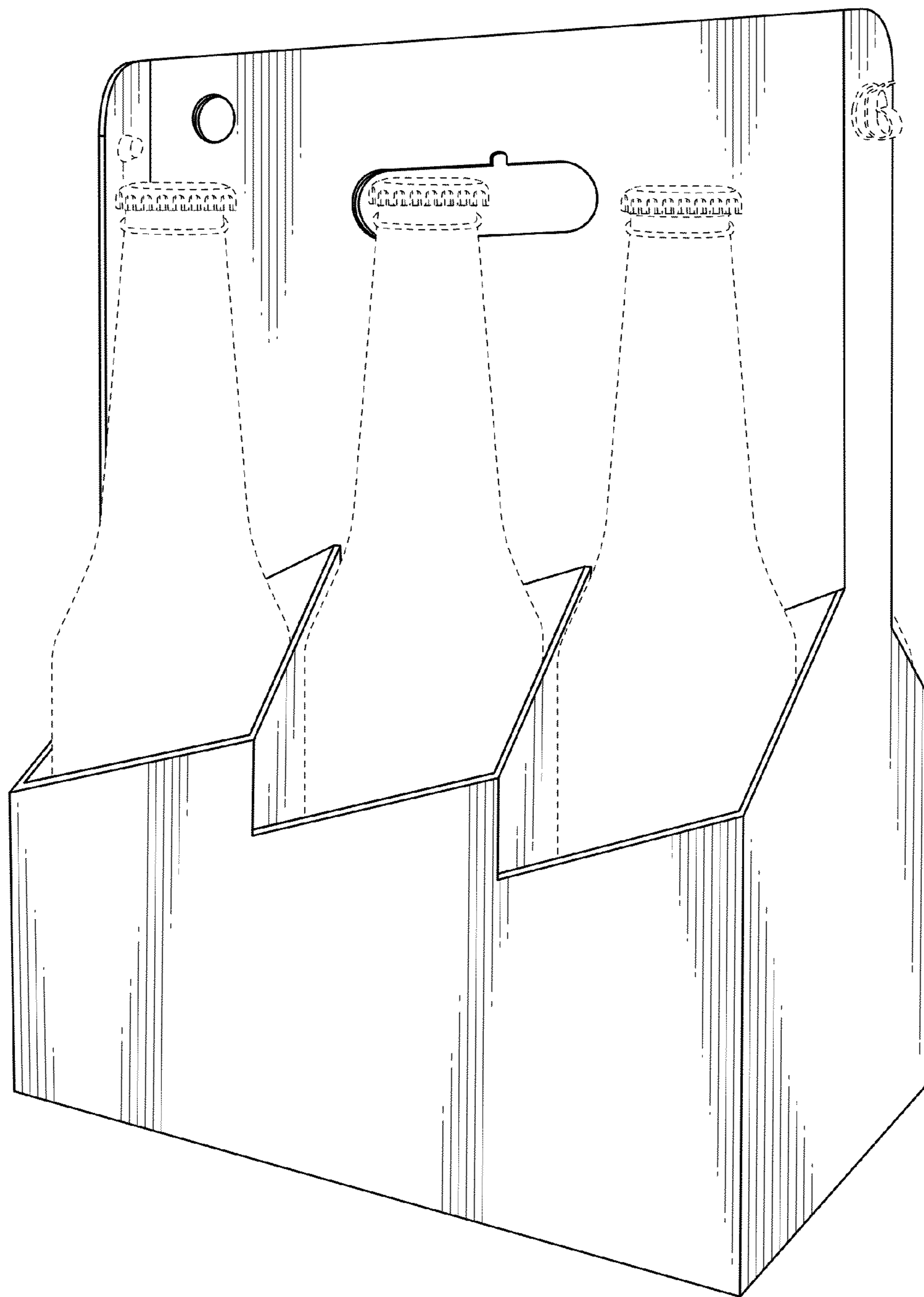


FIG. 1

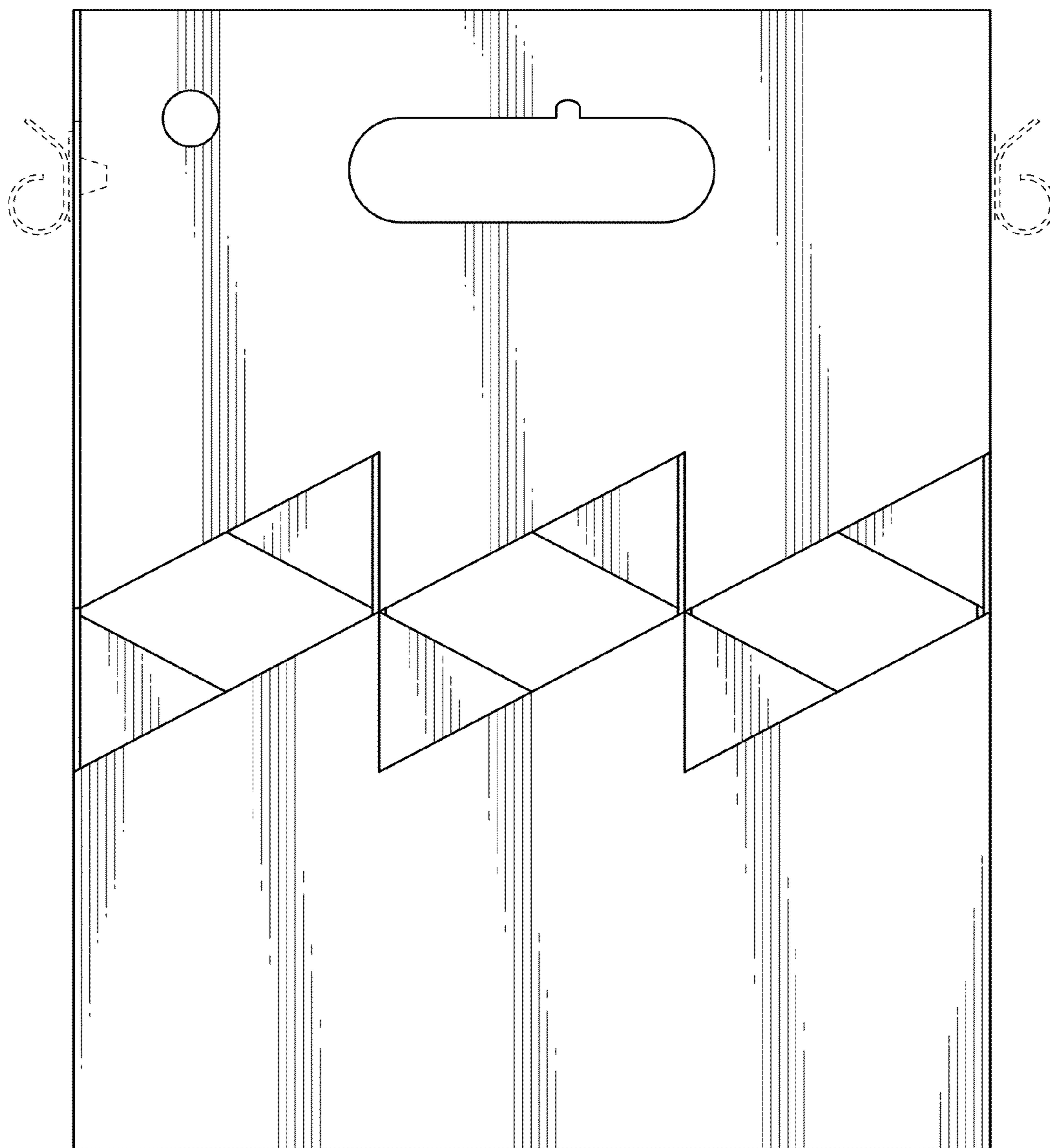


FIG. 2

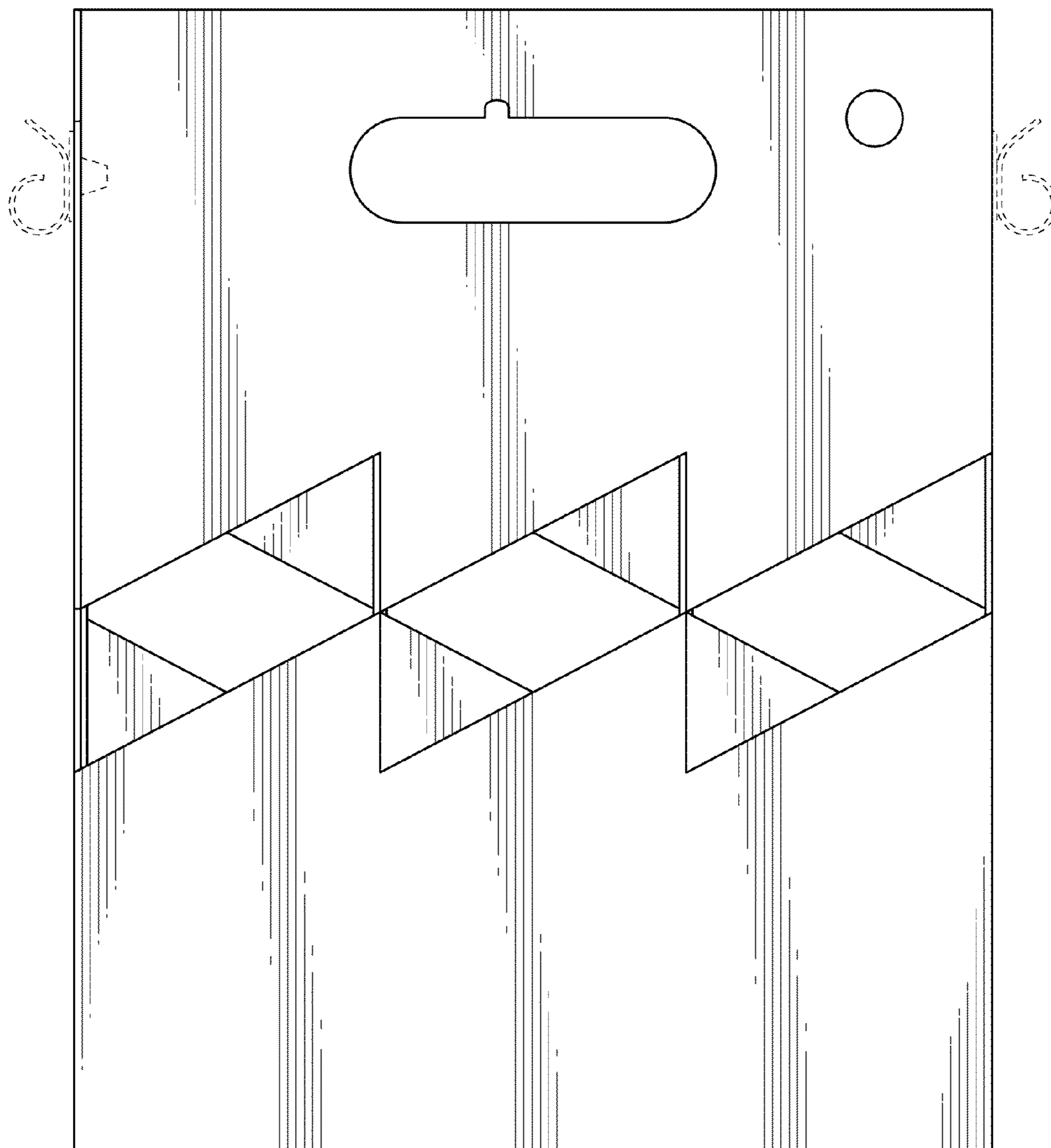


FIG. 3

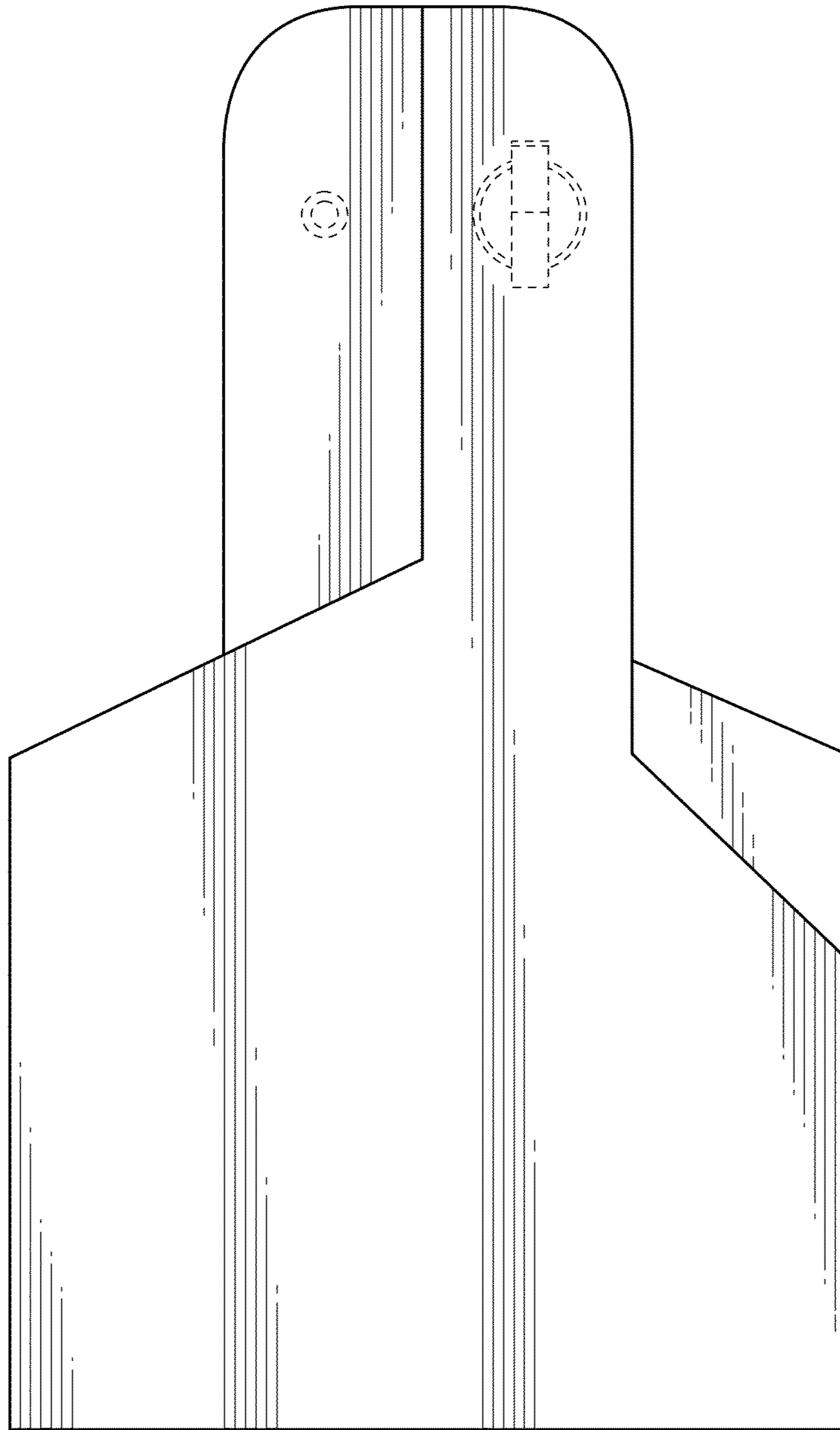


FIG. 4

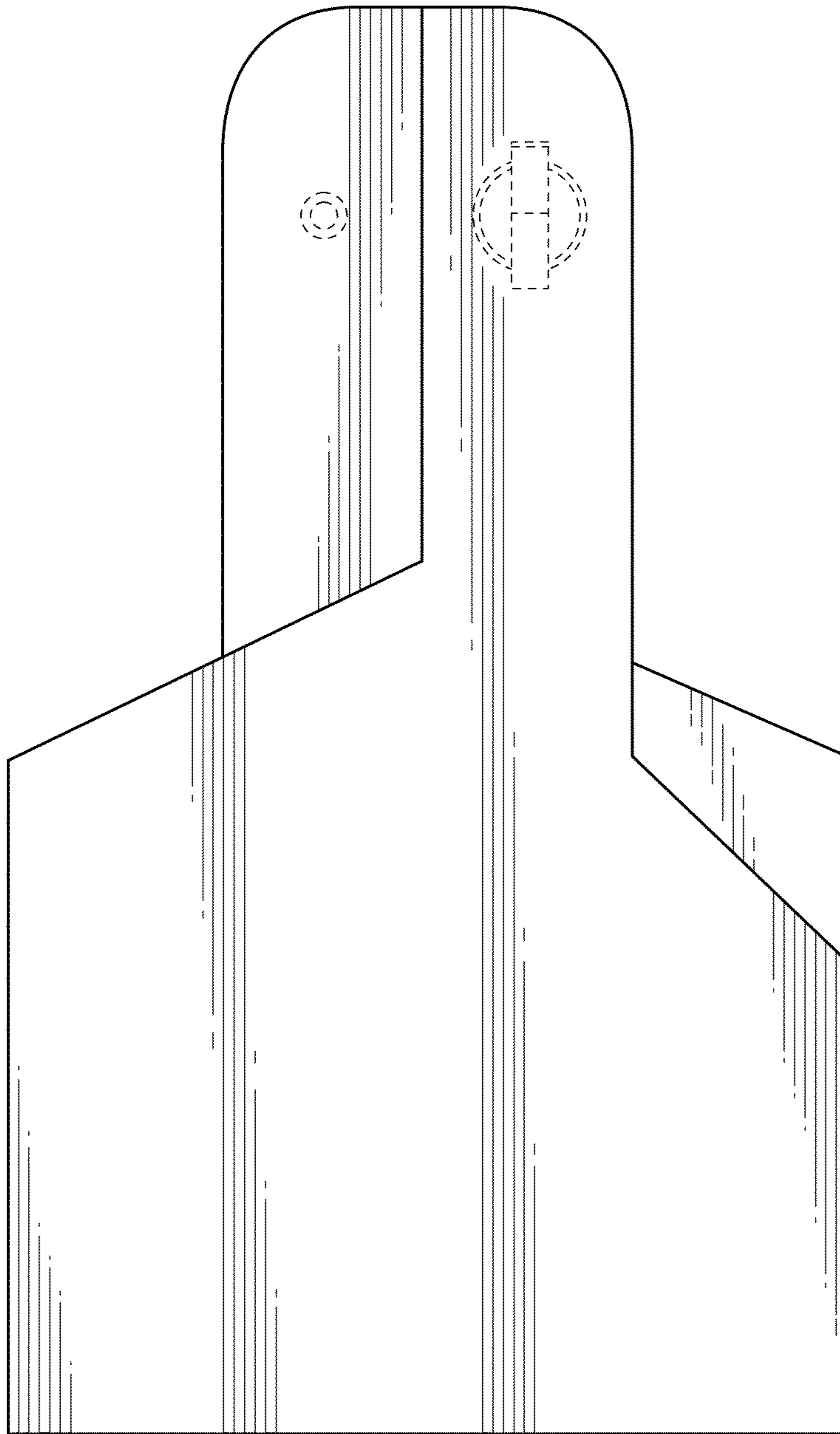


FIG. 5

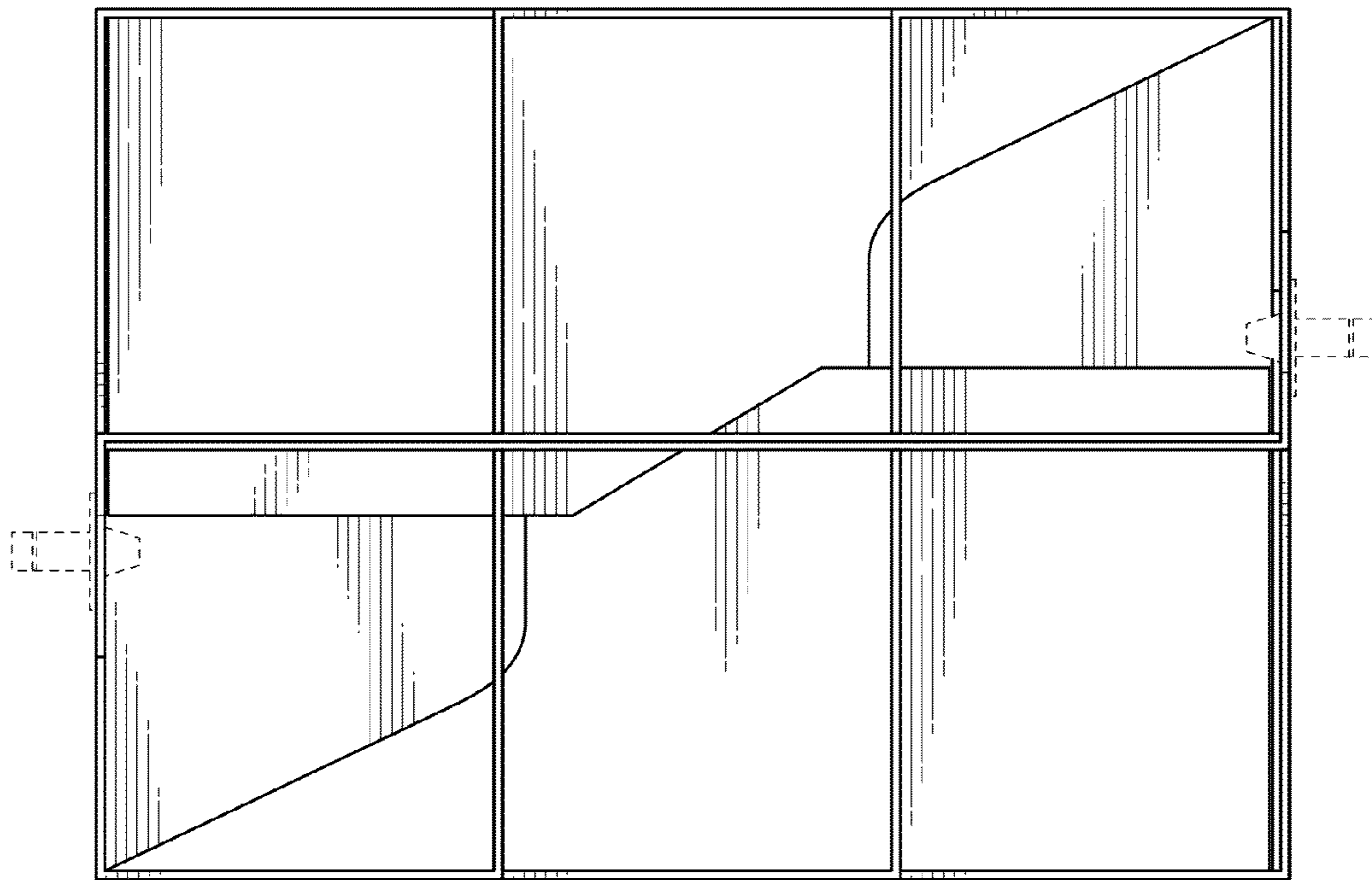


FIG. 6

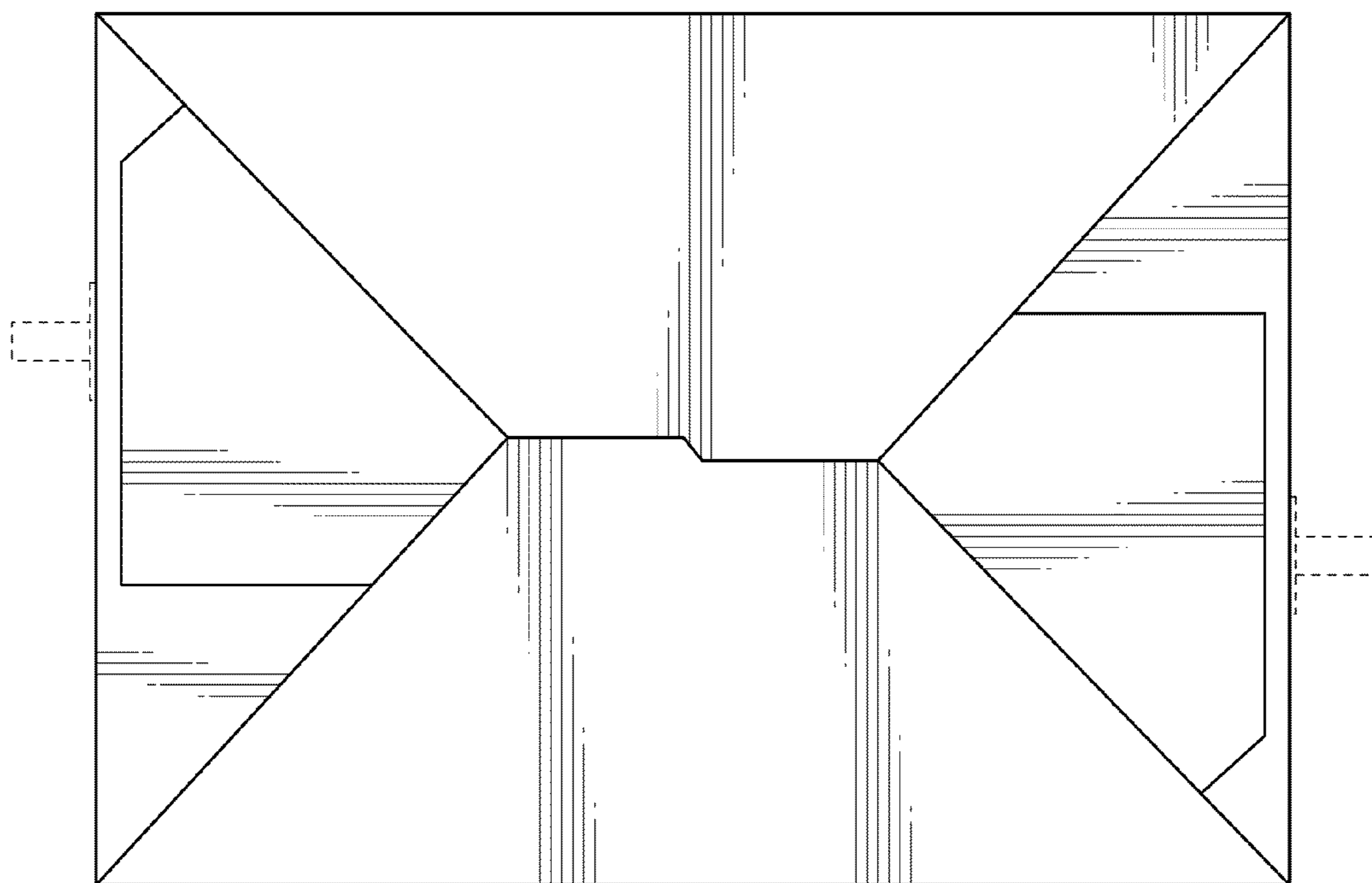


FIG. 7

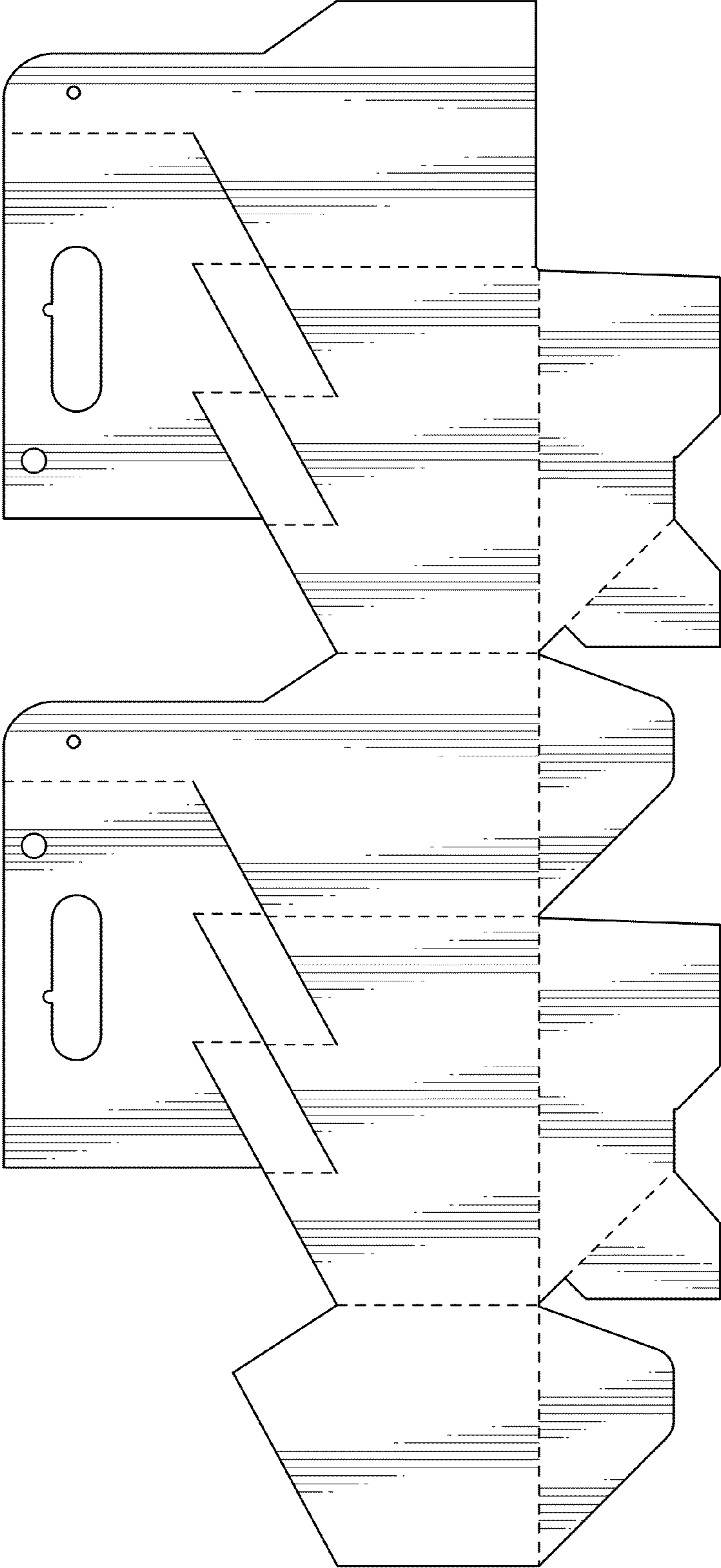


FIG. 8