



US00D708523S

(12) **United States Design Patent**
Topinka et al.

(10) **Patent No.:** **US D708,523 S**
(45) **Date of Patent:** **** Jul. 8, 2014**

(54) **BOTTLE**

(71) Applicant: **MSD Consumer Care, Inc.**, Memphis, TN (US)

(72) Inventors: **Matthew Allen Topinka**, Collierville, TN (US); **Michael P. Tune**, Arlington, TN (US); **John Biscoff**, Austintown, OH (US); **Christopher S. Vowells**, Chatham, NJ (US)

(73) Assignee: **MSD Consumer Care, Inc.**, Memphis, TN (US)

(**) Term: **14 Years**

(21) Appl. No.: **29/459,194**

(22) Filed: **Jun. 27, 2013**

Related U.S. Application Data

(62) Division of application No. 29/403,792, filed on Oct. 11, 2011, now Pat. No. Des. 687,301.

(51) **LOC (10) Cl.** **09-01**

(52) **U.S. Cl.**
USPC **D9/500; D9/772**

(58) **Field of Classification Search**
USPC D9/500, 502-505, 516, 529-530, D9/537-540, 549, 558, 575, 682, 686, D9/688-691, 772-773, 776; D7/509-511, D7/523; 215/379, 381-382; 220/660, 220/669-673, 675
See application file for complete search history.

(56) **References Cited**

U.S. PATENT DOCUMENTS

D202,003 S * 8/1965 Douglas D9/772
D217,585 S * 5/1970 Lambelet D9/500

D489,988 S * 5/2004 Ogata et al. D9/773
D509,433 S * 9/2005 Trayser et al. D9/501
D556,038 S * 11/2007 Chupak et al. D9/500
D604,640 S * 11/2009 Renz et al. D9/776
D628,906 S * 12/2010 Fedusa et al. D9/776
D631,367 S * 1/2011 Vuong D9/652
D684,869 S * 6/2013 Pellaud et al. D9/776
D687,301 S * 8/2013 Topinka et al. D9/500
2007/0045218 A1 * 3/2007 Afandyan 215/255

* cited by examiner

Primary Examiner — Ian Simmons

Assistant Examiner — Dana L Meyrow

(74) *Attorney, Agent, or Firm* — Dianne Pecoraro; Catherine D. Fitch

(57) **CLAIM**

The ornamental design for a bottle, as shown and described.

DESCRIPTION

A portion of the disclosure of this patent document contains material to which a claim for copyright is made. The copyright owner has no objection to the facsimile reproduction by anyone of the patent document or the patent disclosure, as it appears in the Patent and Trademark Office patent file or records, but reserves all other copyright rights whatsoever.

FIG. 1 is a top perspective view of a bottle showing our new design.

FIG. 2 is a front elevation view thereof;

FIG. 3 is a right side elevation view thereof;

FIG. 4 is a left side elevation view thereof;

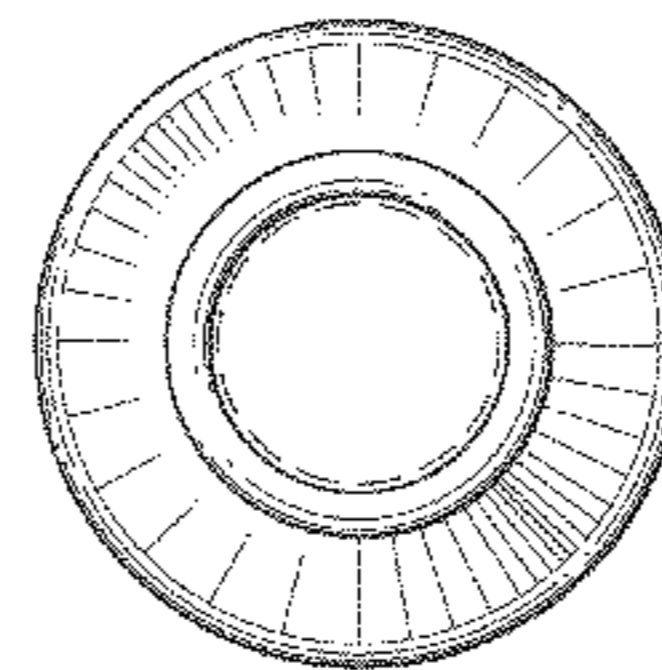
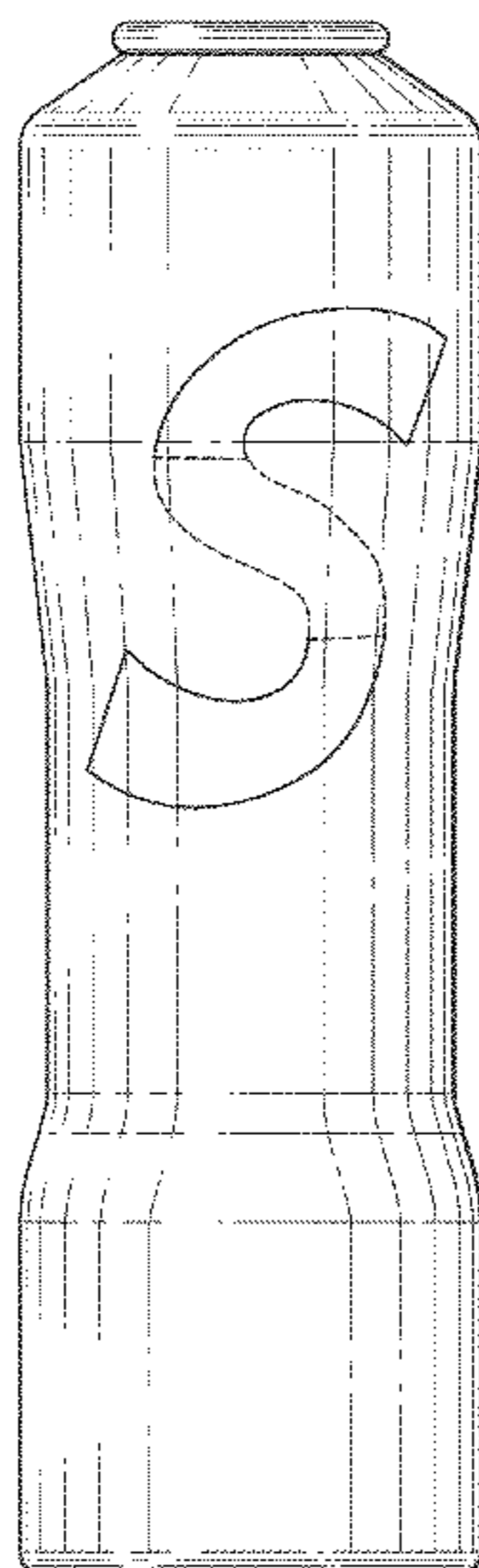
FIG. 5 is a rear elevation view thereof;

FIG. 6 is a top plan view thereof; and,

FIG. 7 is a bottom plan view thereof.

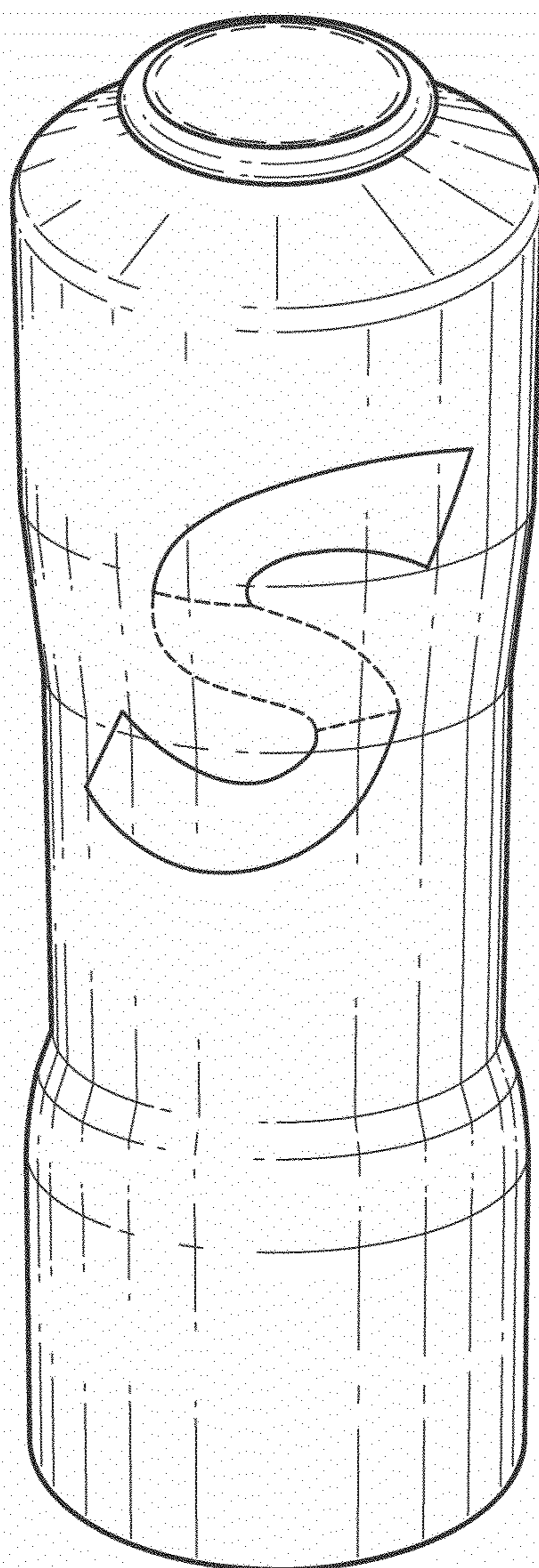
The short-dashed broken lines on the front surface of the bottle in FIGS. 1-4 illustrate unclaimed lines on the surface of the bottle. The long-dashed broken lines in FIGS. 1, 6 & 7 define the bounds of claim and form no part thereof.

1 Claim, 6 Drawing Sheets



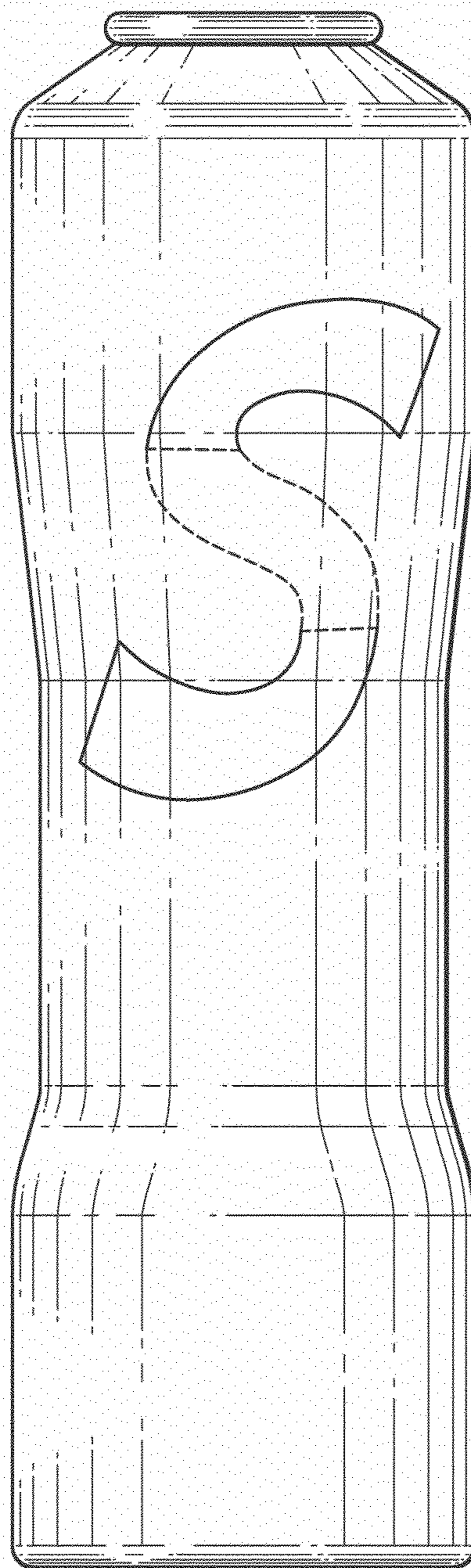
© 2011 MSD Consumer Care, Inc.

© 2011 MSD Consumer Care, Inc.



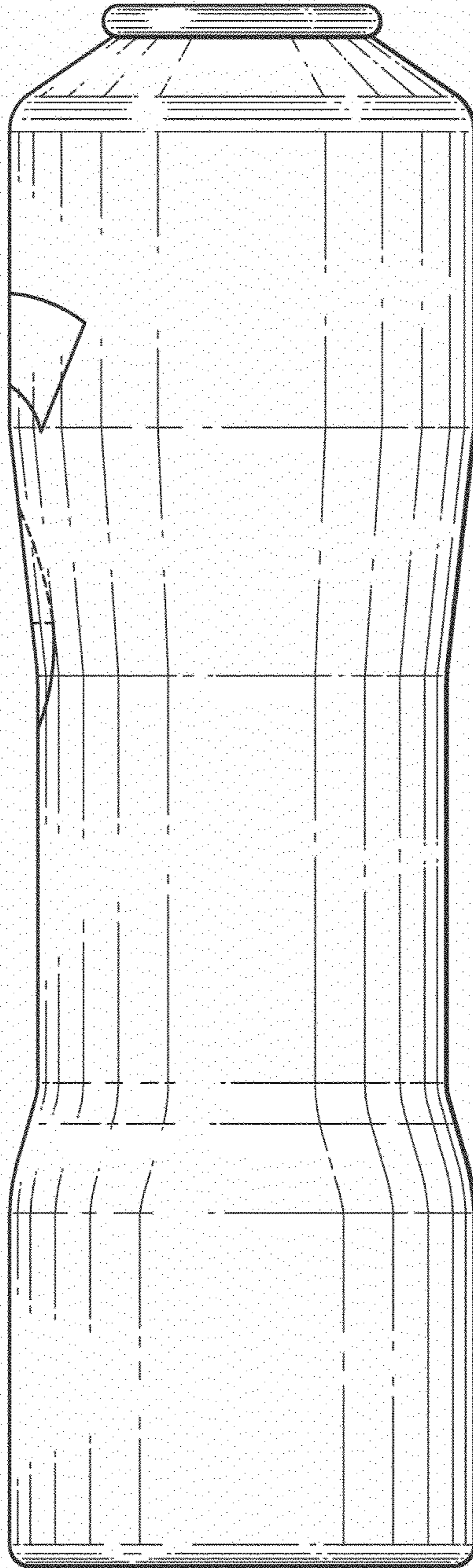
© 2011 MSD Consumer Care, Inc.

FIG. 1



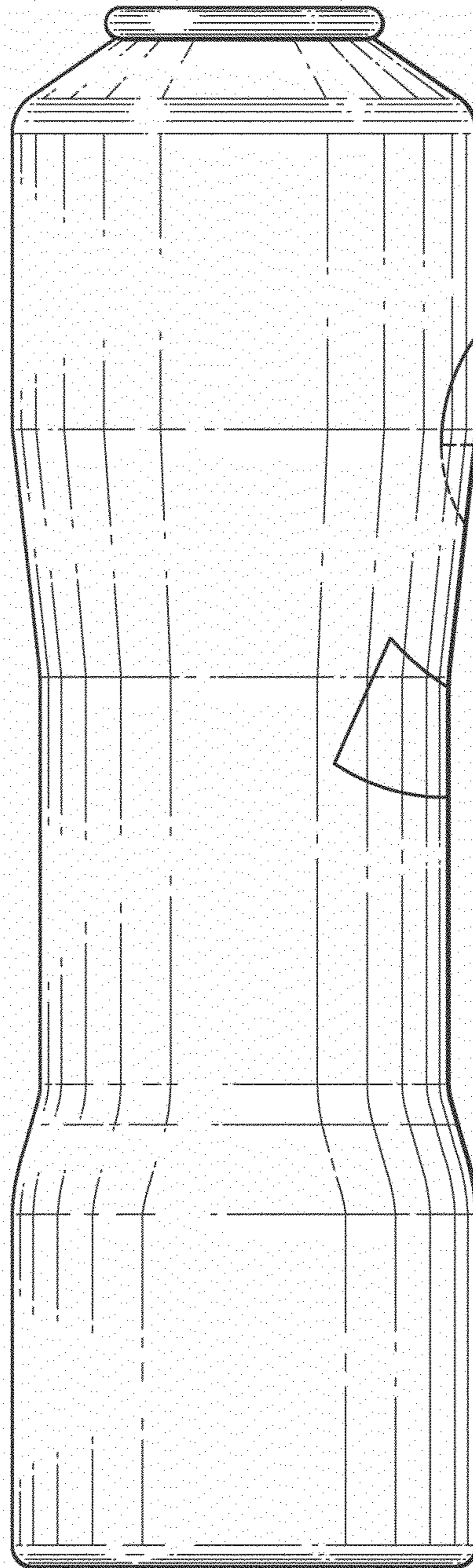
© 2011 MSD Consumer Care, Inc.

FIG. 2



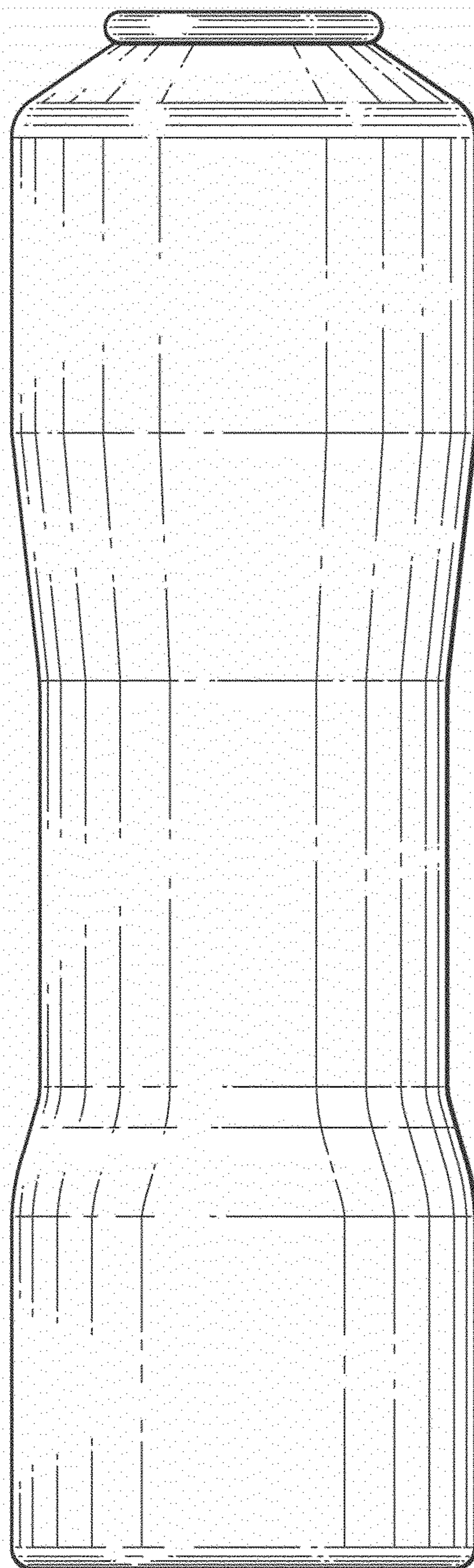
© 2011 MSD Consumer Care, Inc.

FIG. 3



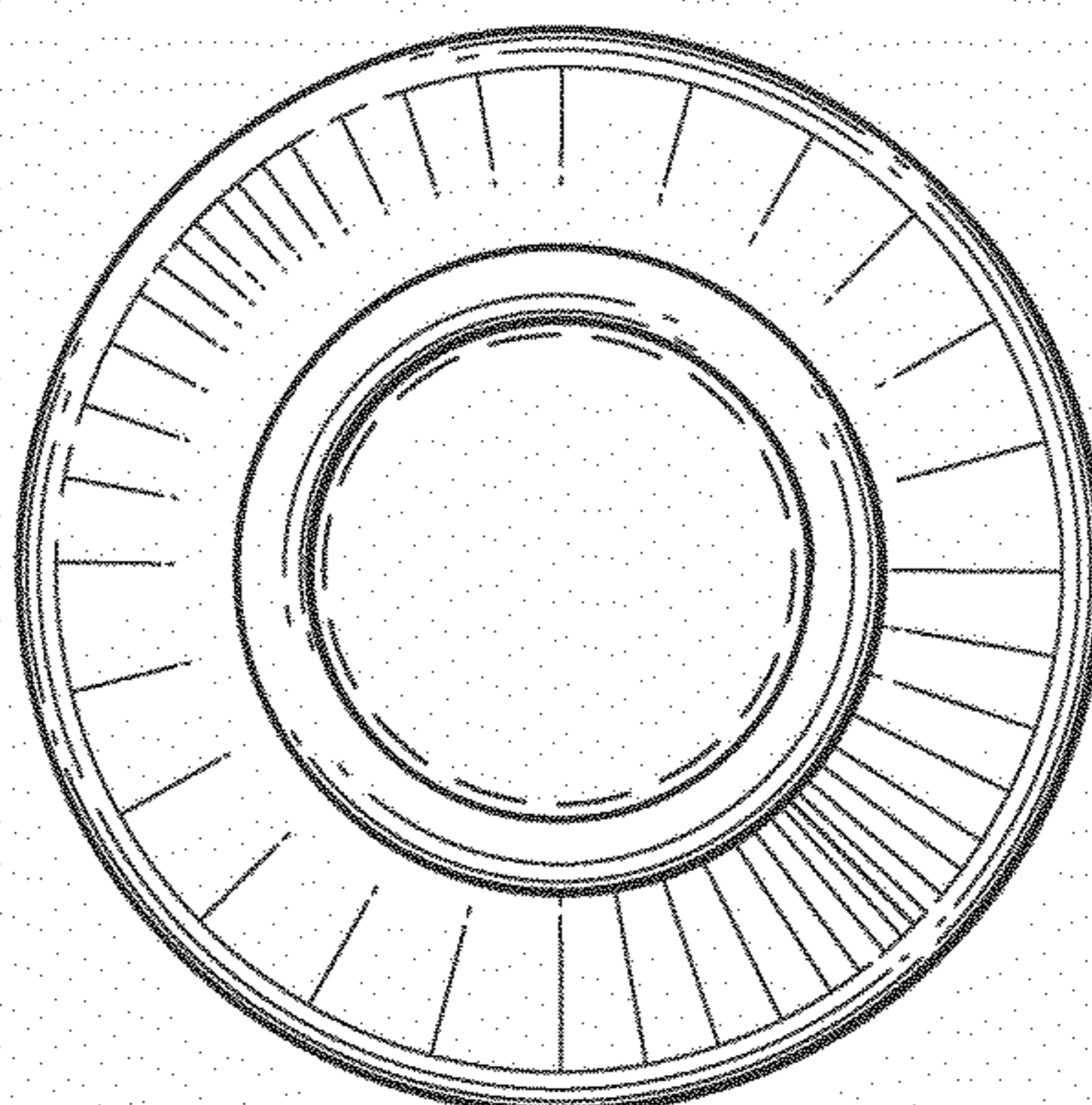
© 2011 MSD Consumer Care, Inc.

FIG. 4



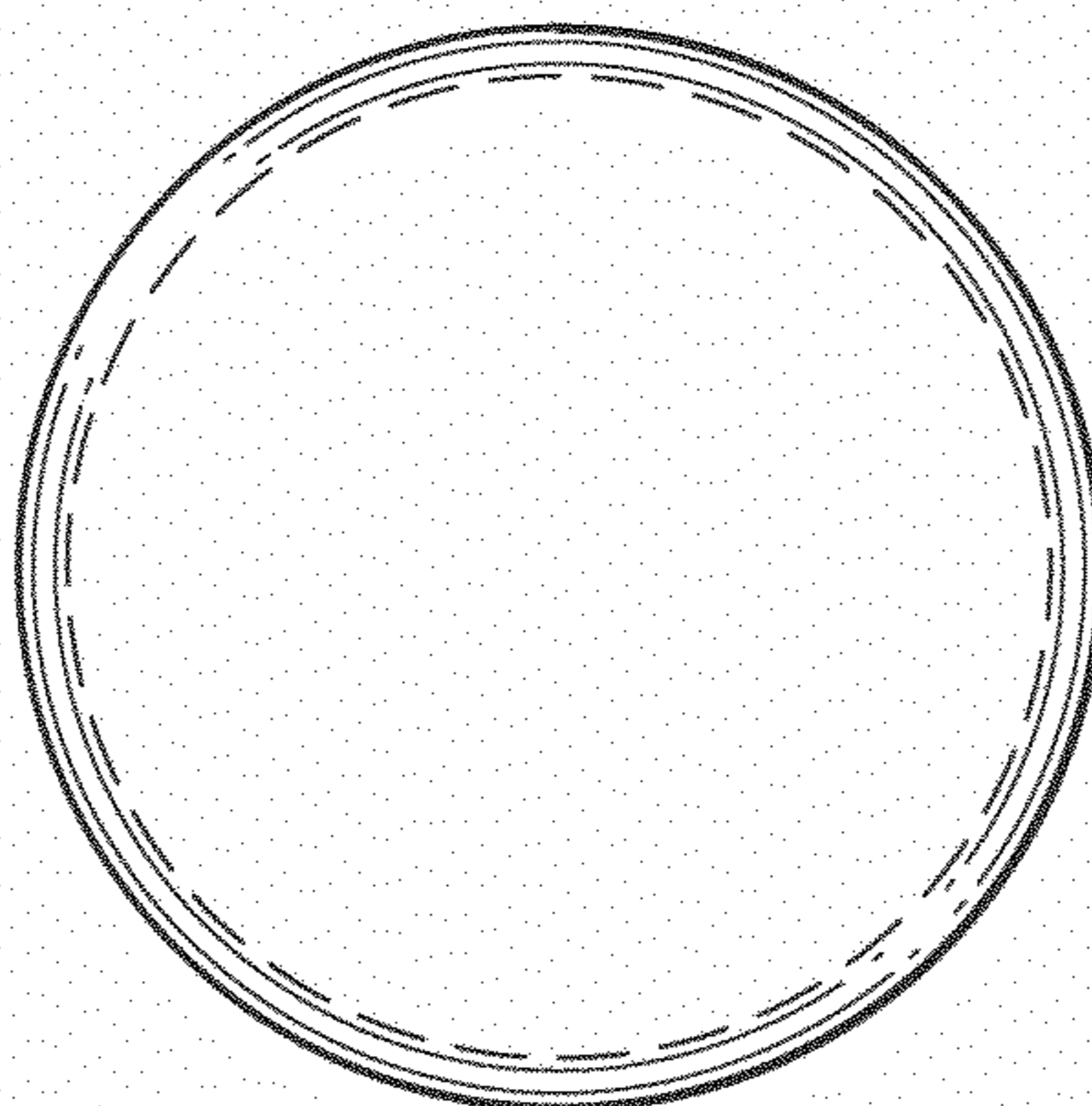
© 2011 MSD Consumer Care, Inc.

FIG. 5



© 2011 MSD Consumer Care, Inc.

FIG. 6



© 2011 MSD Consumer Care, Inc.

FIG. 7