



US00D708522S

(12) **United States Design Patent**
Santamaria et al.

(10) **Patent No.:** **US D708,522 S**

(45) **Date of Patent:** **** Jul. 8, 2014**

(54) **BOTTLE**

(75) Inventors: **Alejandro J. Santamaria**, Suwanee, GA (US); **Scott Curtis Biondich**, Alpharetta, GA (US); **Darryl J. Dawson, Sr.**, Stockbridge, GA (US)

(73) Assignee: **The Coca-Cola Company**, Atlanta, GA (US)

(*) Notice: This patent is subject to a terminal disclaimer.

(**) Term: **14 Years**

(21) Appl. No.: **29/413,668**

(22) Filed: **Feb. 17, 2012**

(51) **LOC (10) Cl.** **09-01**

(52) **U.S. Cl.**
USPC **D9/500; D9/539**

(58) **Field of Classification Search**
USPC D9/500, 502-505, 516, 537, 539, 545, D9/551, 549, 558, 763-764, 772; 215/379, 215/381-384; 220/660, 662, 669-673, 675

See application file for complete search history.

(56) **References Cited**

U.S. PATENT DOCUMENTS

D166,017 S *	2/1952	Barq	D9/502
D179,507 S *	1/1957	Barbiers	D9/537
D193,032 S *	6/1962	Waser	D9/500
D286,617 S *	11/1986	Goodwin et al.	D9/538
D528,000 S	9/2006	Davis et al.	
D536,616 S *	2/2007	Rubin et al.	D9/500
D639,659 S	6/2011	Biondich et al.	
D677,169 S *	3/2013	Roos et al.	D9/652

* cited by examiner

Primary Examiner — Ian Simmons

Assistant Examiner — Dana L Meyrow

(74) *Attorney, Agent, or Firm* — Parks IP Law LLC; Collen A. Beard, Esq.

(57) **CLAIM**

The ornamental design for a bottle, as shown and described.

DESCRIPTION

FIG. 1 is a top perspective view of a bottle according to the present invention;

FIG. 2 is a front elevation view thereof;

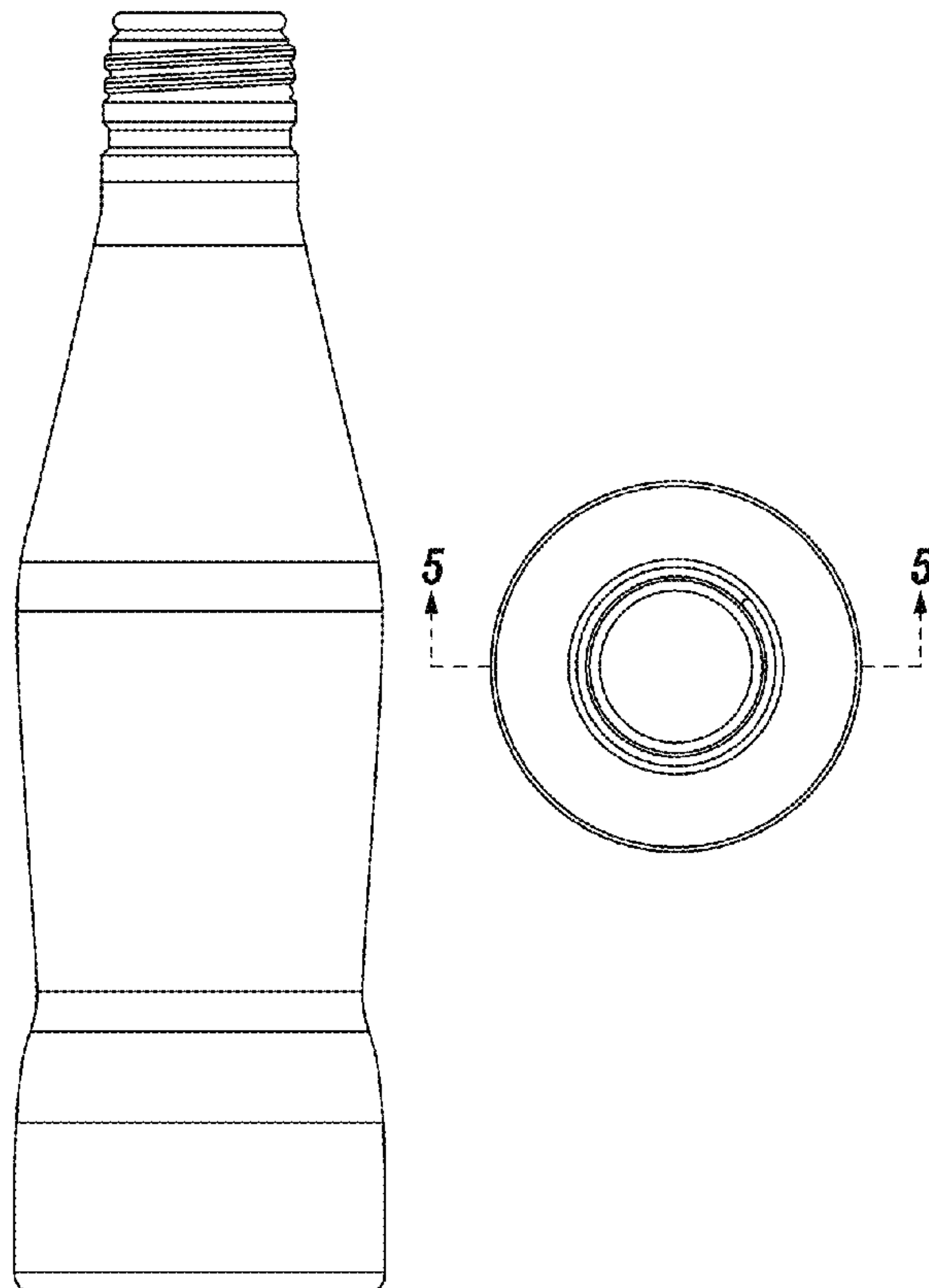
FIG. 3 is a top plan view thereof;

FIG. 4 is a bottom plan view thereof; and,

FIG. 5 is a cross-section view taken along the line 5-5 in FIG. 3.

The broken lines shown represent unclaimed subject matter and form no part of the claimed design.

1 Claim, 2 Drawing Sheets



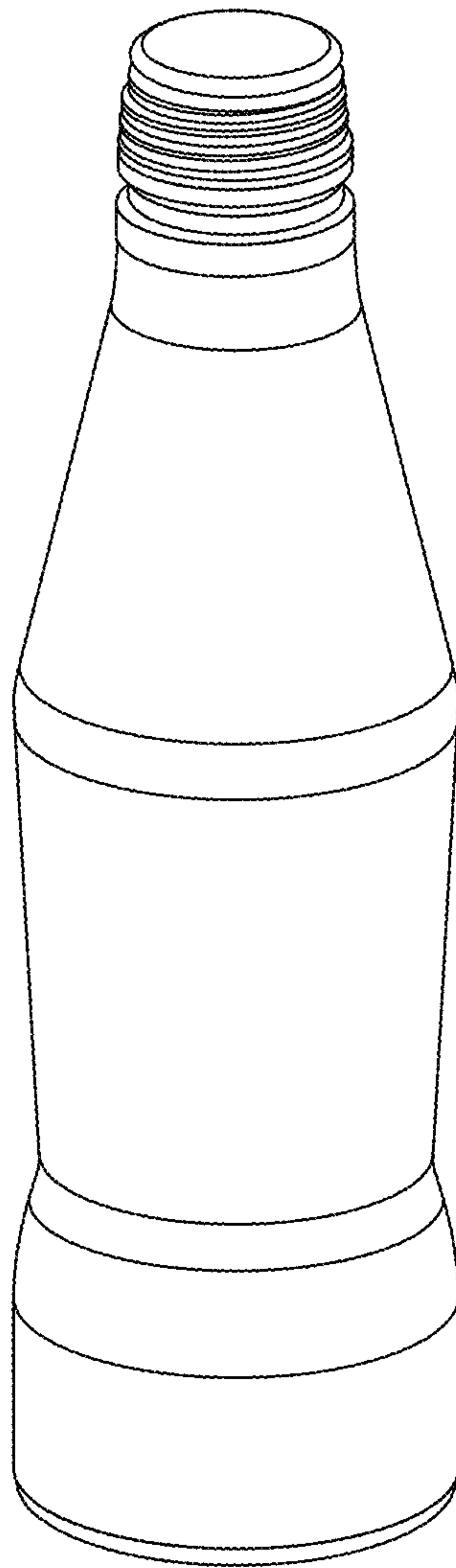


FIG. 1

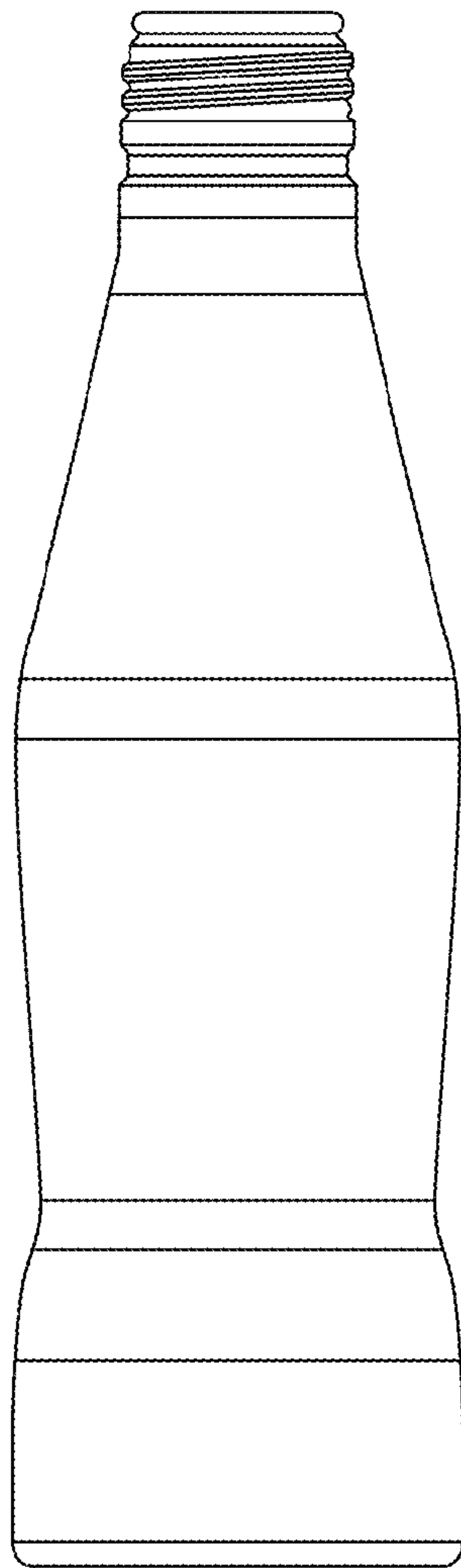


FIG. 2

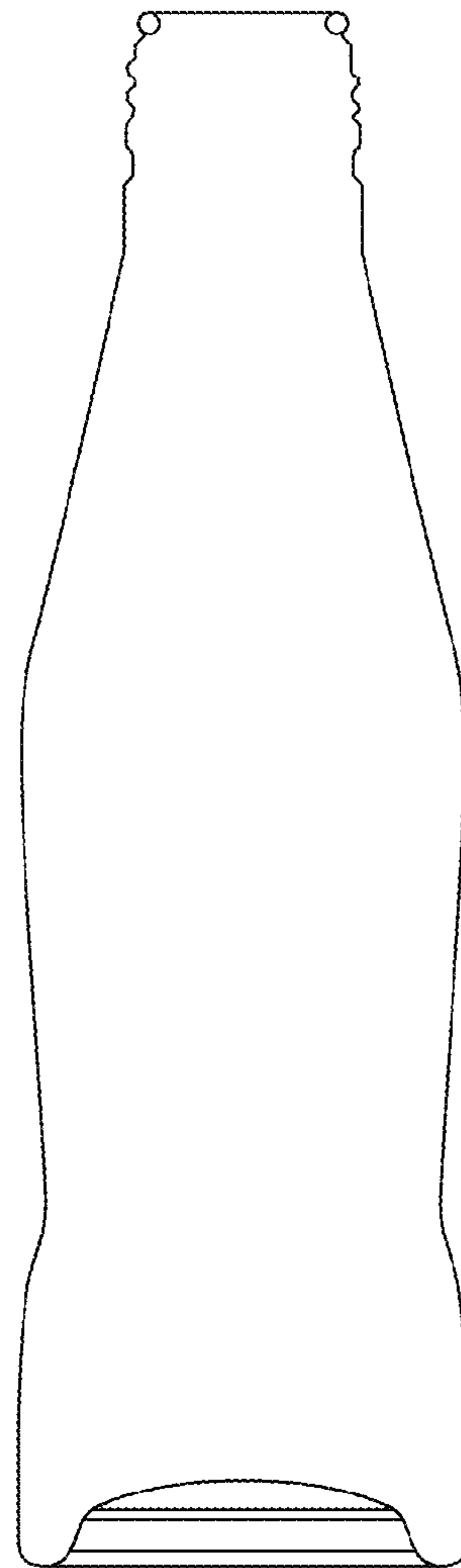


FIG. 5

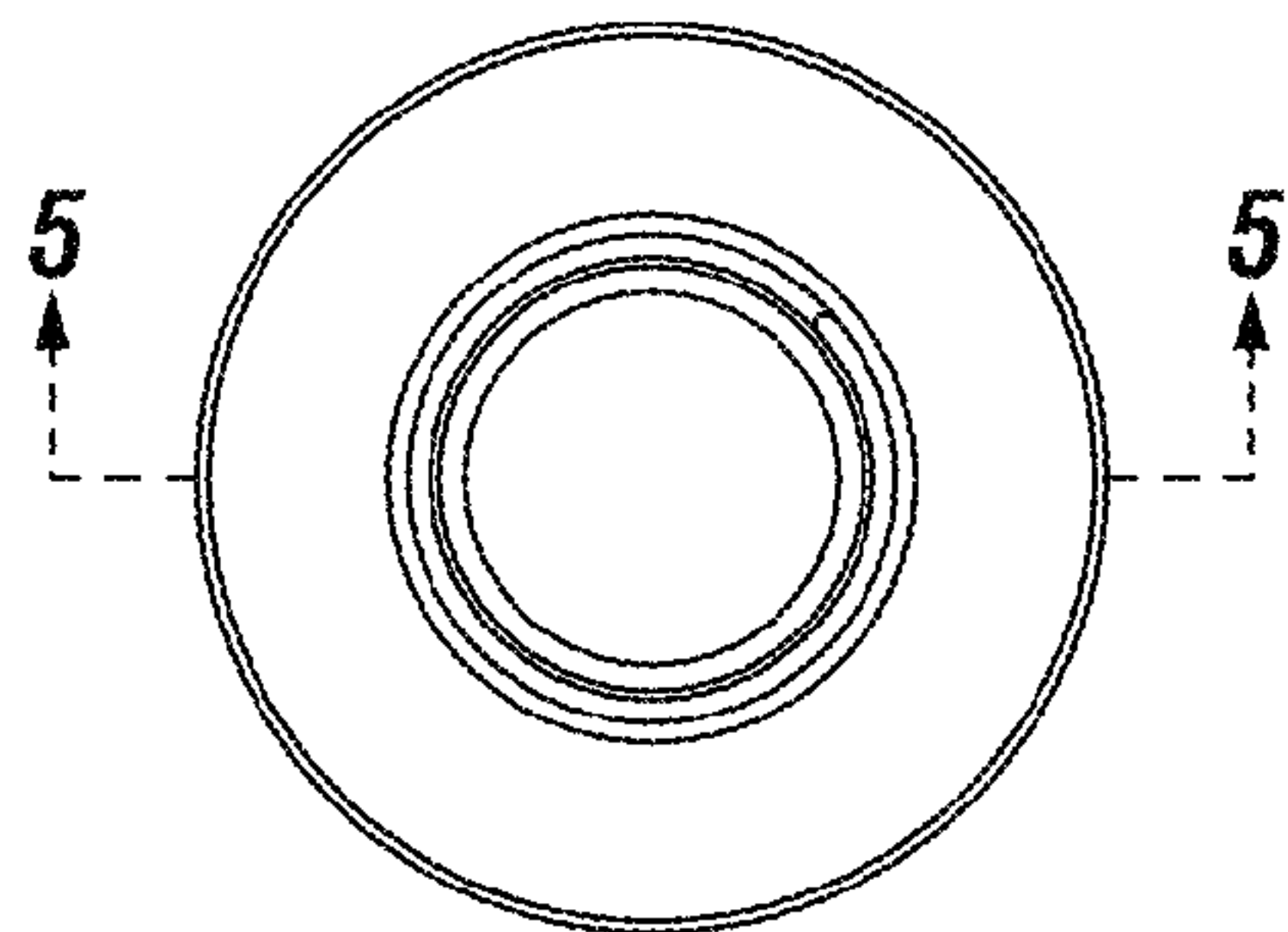


FIG. 3

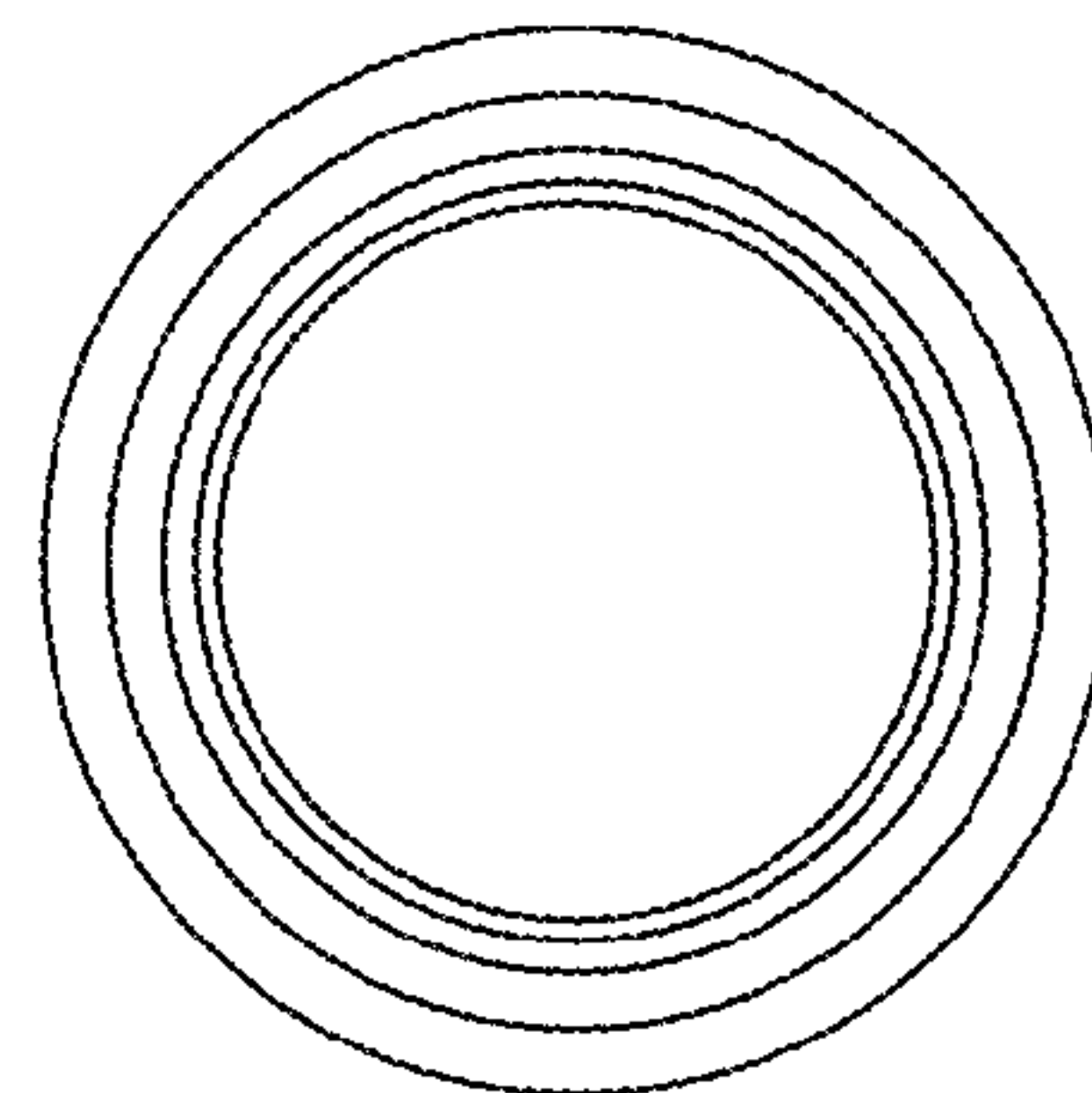


FIG. 4