



US00D708521S

(12) **United States Design Patent**  
**Buschmann et al.**

(10) **Patent No.:** **US D708,521 S**  
(45) **Date of Patent:** **\*\* Jul. 8, 2014**

- (54) **CAP**
- (75) Inventors: **Kristian Buschmann**, Chicago, IL (US);  
**Corey A. Cote**, Winslow, ME (US);  
**Matthew Forst**, Oak Creek, WI (US);  
**Daniel J. Neidlinger**, Bartlett, IL (US)
- (73) Assignee: **S.C. Johnson & Son, Inc.**, Racine, WI (US)
- (\*\*) Term: **14 Years**
- (21) Appl. No.: **29/416,625**
- (22) Filed: **Mar. 23, 2012**
- (51) **LOC (10) Cl.** ..... **09-07**
- (52) **U.S. Cl.**  
USPC ..... **D9/454; D9/449**
- (58) **Field of Classification Search**  
USPC ..... D7/392, 398; D9/434, 435, 439, 440,  
D9/446-450, 453, 454, 499, 515, 737,  
D9/739; 222/153.02, 153.14, 553, 556,  
222/566, 575; 215/237  
See application file for complete search history.

D535,797 S	1/2007	Lin	
D546,178 S	7/2007	McClain	
D554,508 S	11/2007	YunFu	
D564,169 S	3/2008	Wang	
D569,737 S	5/2008	Ogawa et al.	
D570,689 S *	6/2008	Chang .....	D9/504
D573,469 S	7/2008	Lamb et al.	
D576,036 S	9/2008	Dell'Accio	
D579,774 S	11/2008	Clark	
D582,285 S	12/2008	Cracchiolo	
D587,124 S	2/2009	Bourne	
D610,456 S	2/2010	Rognard	
D623,060 S *	9/2010	Hassamanci .....	D9/449
D624,414 S	9/2010	Benoit-Gonin et al.	
D628,482 S	12/2010	Tiesberger	
D630,093 S	1/2011	Bardet	
D638,705 S *	5/2011	Schawo .....	D9/443
D650,672 S	12/2011	Krallmann	
D658,445 S	5/2012	Carreno	
D672,654 S *	12/2012	Jackel .....	D9/449

(Continued)

*Primary Examiner* — Robert M Spear

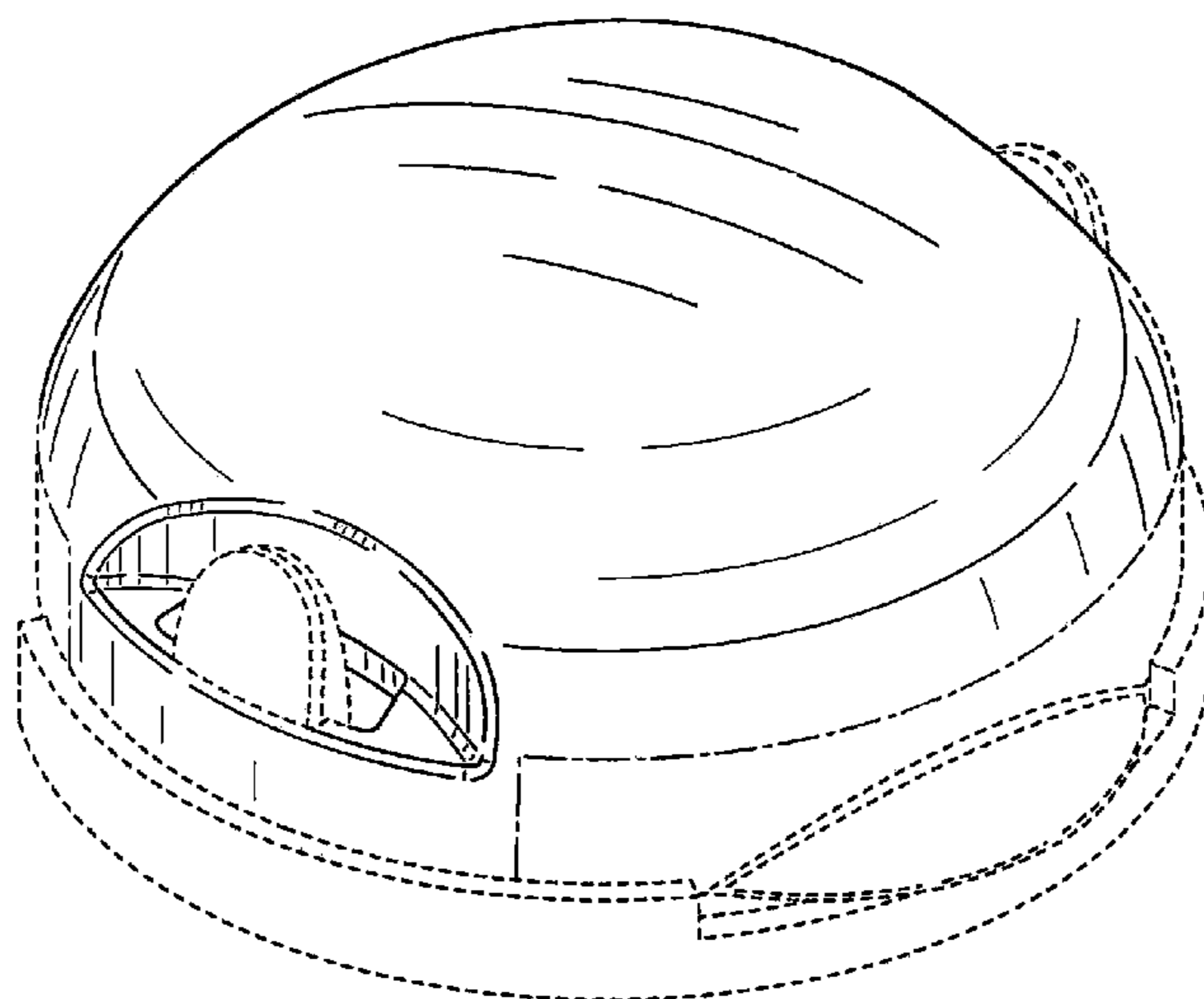
(57) **CLAIM**  
The ornamental design for a cap, as shown and described.

**DESCRIPTION**

FIG. 1 is an isometric view of a top, front, and left side of an ornamental design for a cap;  
 FIG. 2 is a front elevational view of the cap of FIG. 1;  
 FIG. 3 is a rear elevational view of the cap of FIG. 1;  
 FIG. 4 is a right side elevational view of the cap of FIG. 1;  
 FIG. 5 is a left side elevational view of the cap of FIG. 1; and,  
 FIG. 6 is a top plan view of the cap of FIG. 1.  
 The dash-dash-dash-dash broken lines are for the purpose of illustrating environmental structure and form no part of the claimed design. The dash-dot-dash-dot broken lines shown in the drawings define the boundaries of the claimed design.

**1 Claim, 4 Drawing Sheets**

- (56) **References Cited**  
U.S. PATENT DOCUMENTS
- 4,310,105 A \* 1/1982 Gach ..... 222/153.02
- D418,421 S 1/2000 Mansau
- D471,450 S 3/2003 Gehring et al.
- D471,806 S 3/2003 Gehring et al.
- D473,140 S 4/2003 Gilliam et al.
- D479,992 S 9/2003 Gehring et al.
- D489,993 S 5/2004 Wilkes
- D491,470 S 6/2004 Yang
- 6,866,164 B2 \* 3/2005 Branson et al. .... 222/153.14
- D508,402 S 8/2005 Hierzer et al.
- D514,444 S 2/2006 Smith et al.
- D530,203 S 10/2006 Li





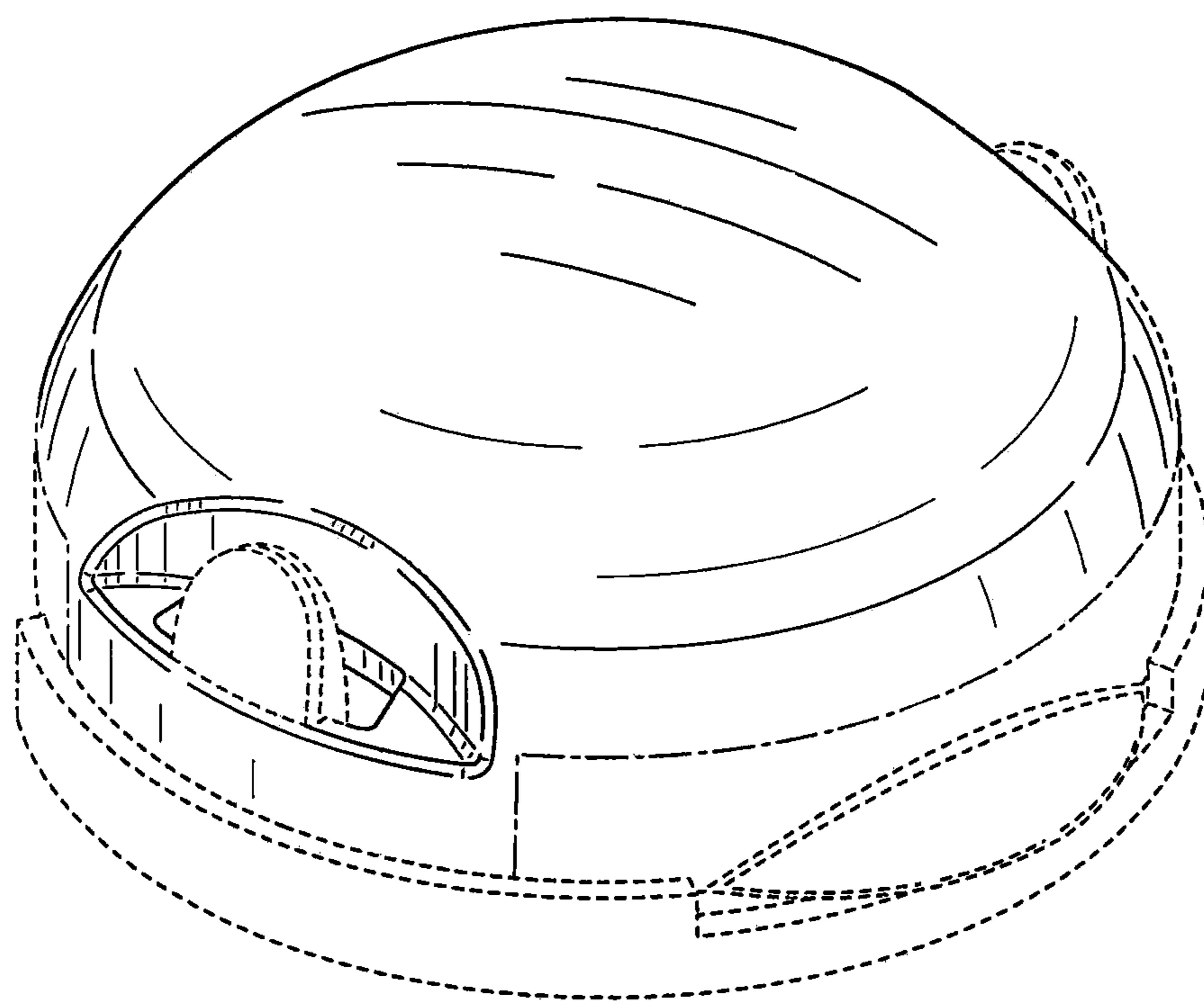


FIG. 1

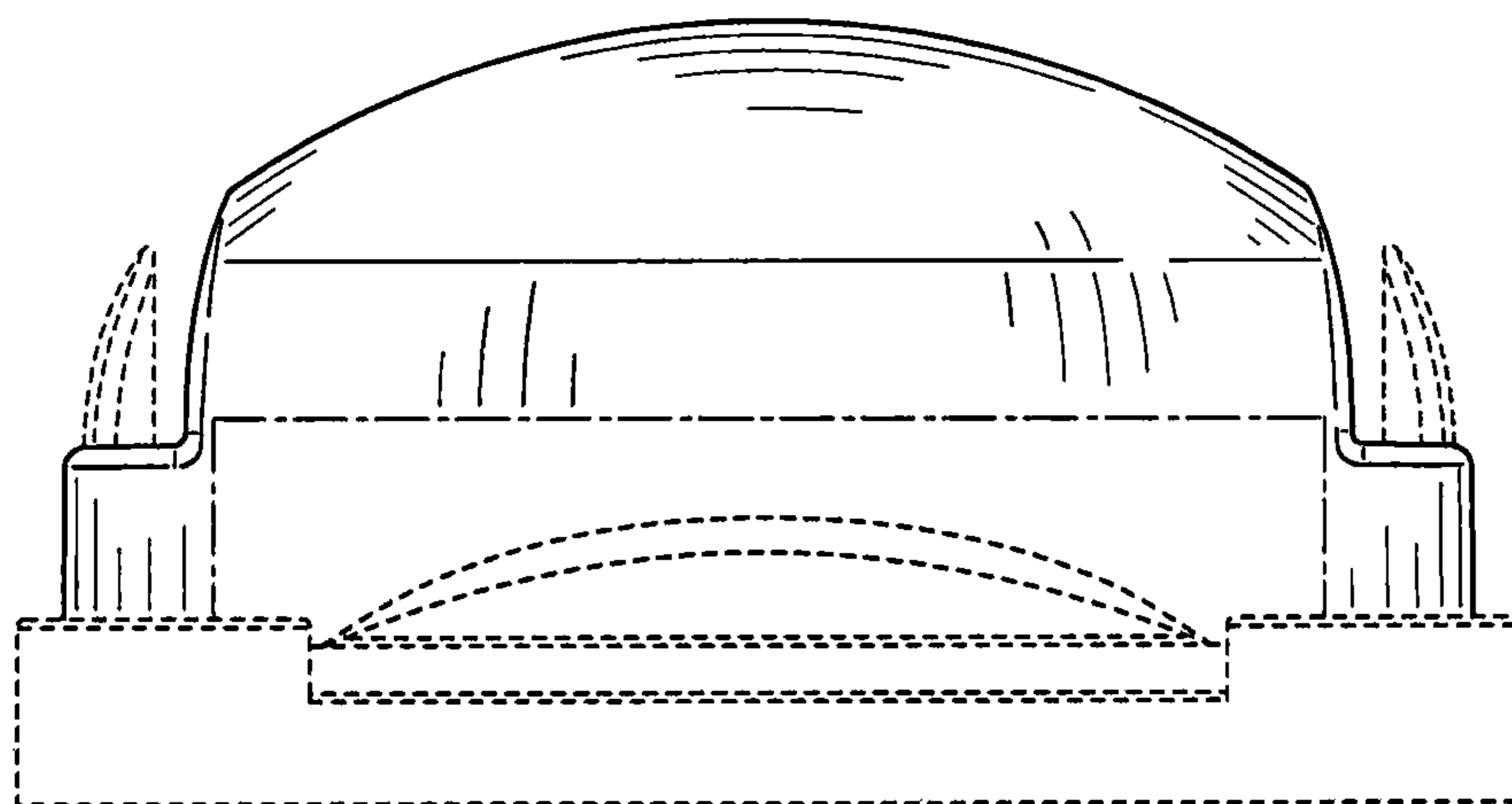


FIG. 2

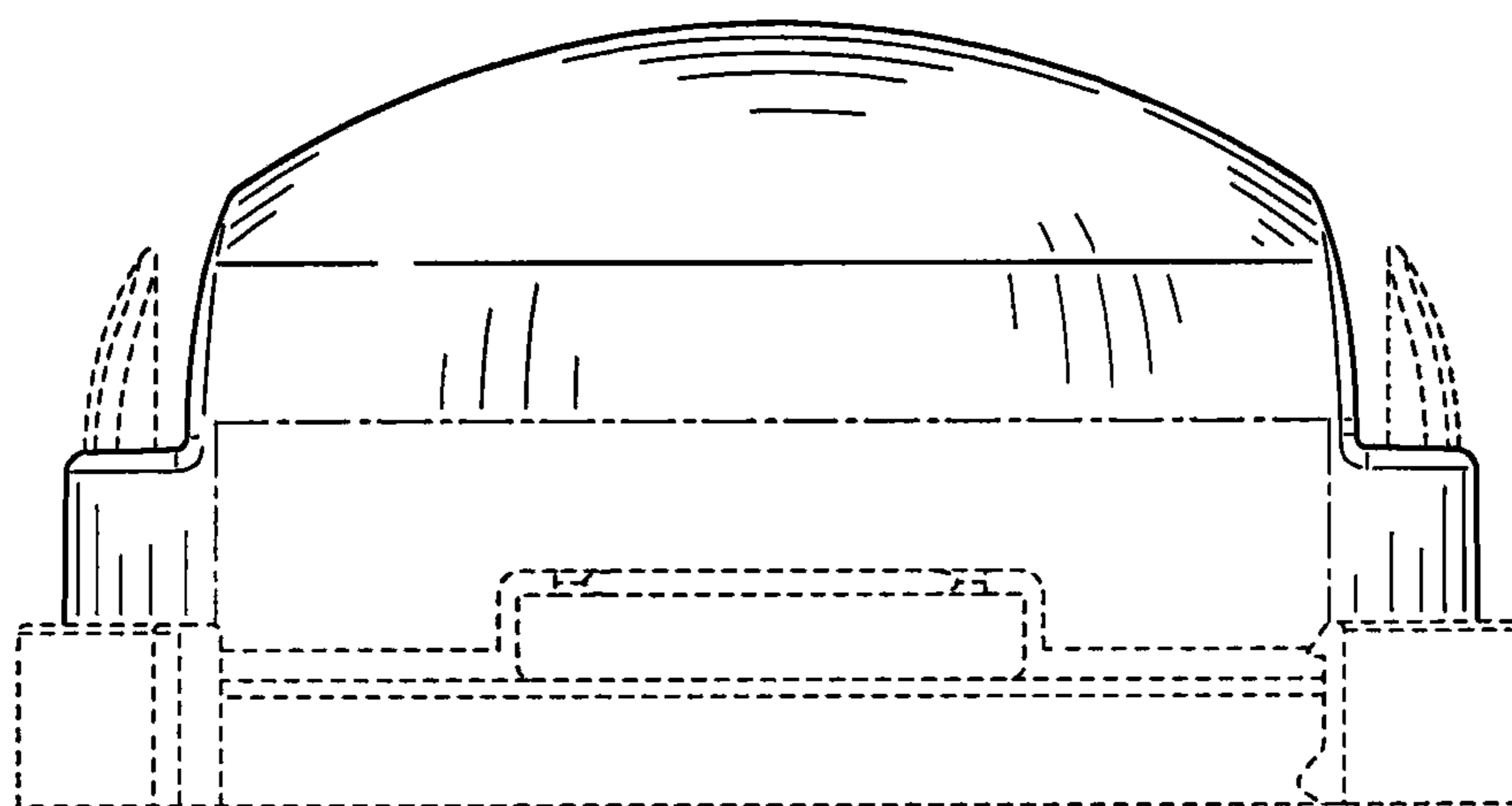


FIG. 3

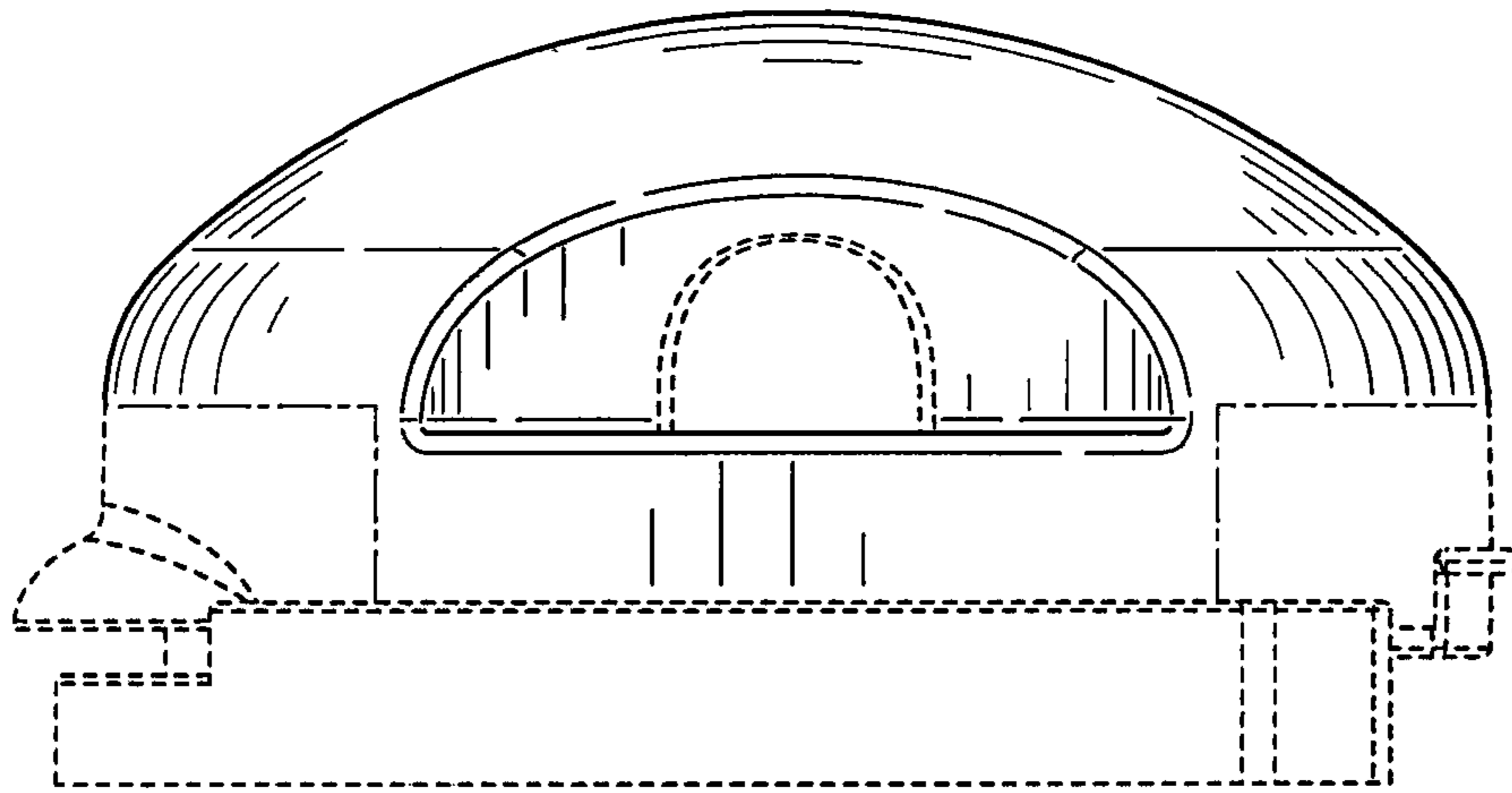


FIG. 4

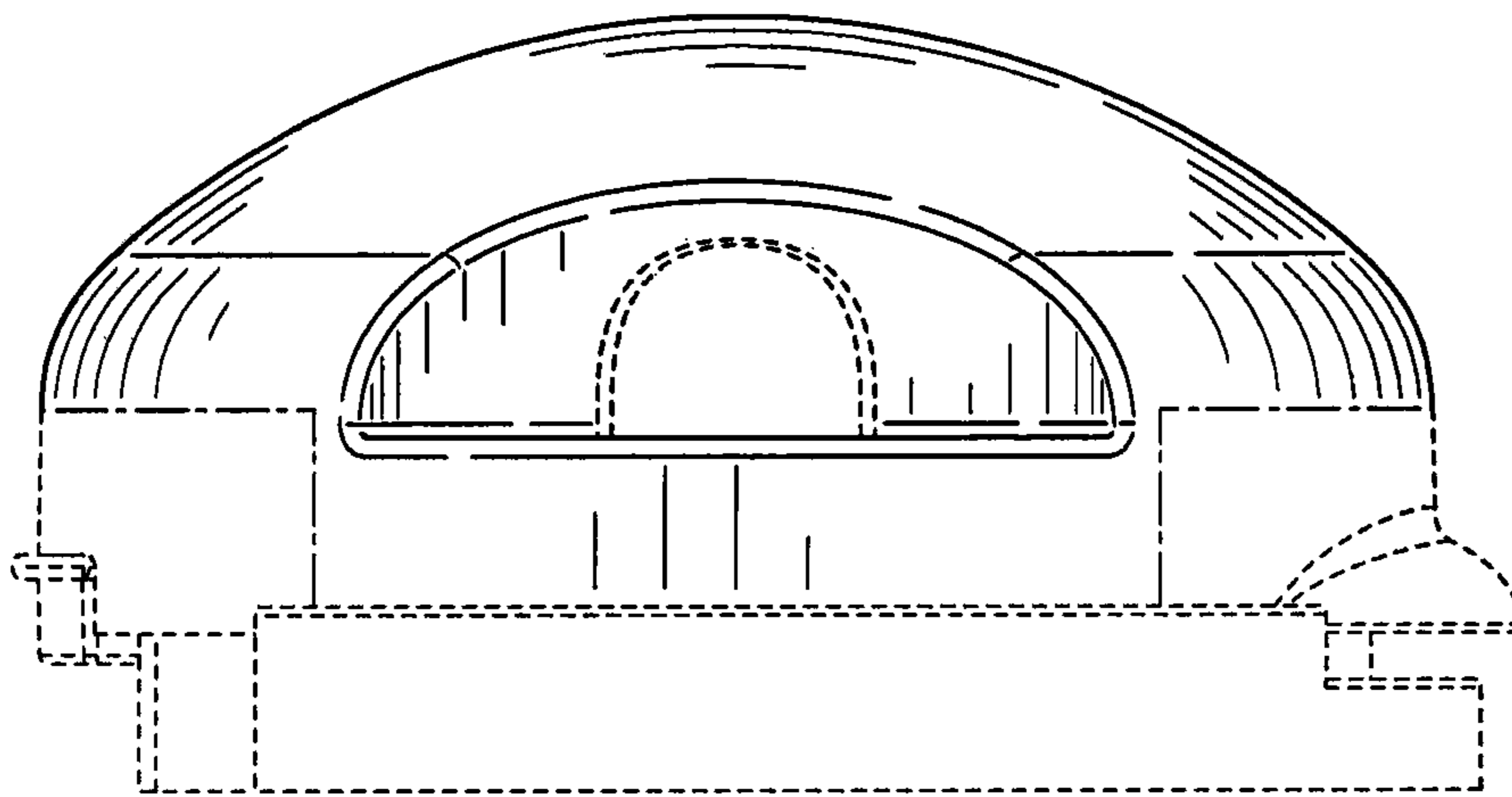


FIG. 5

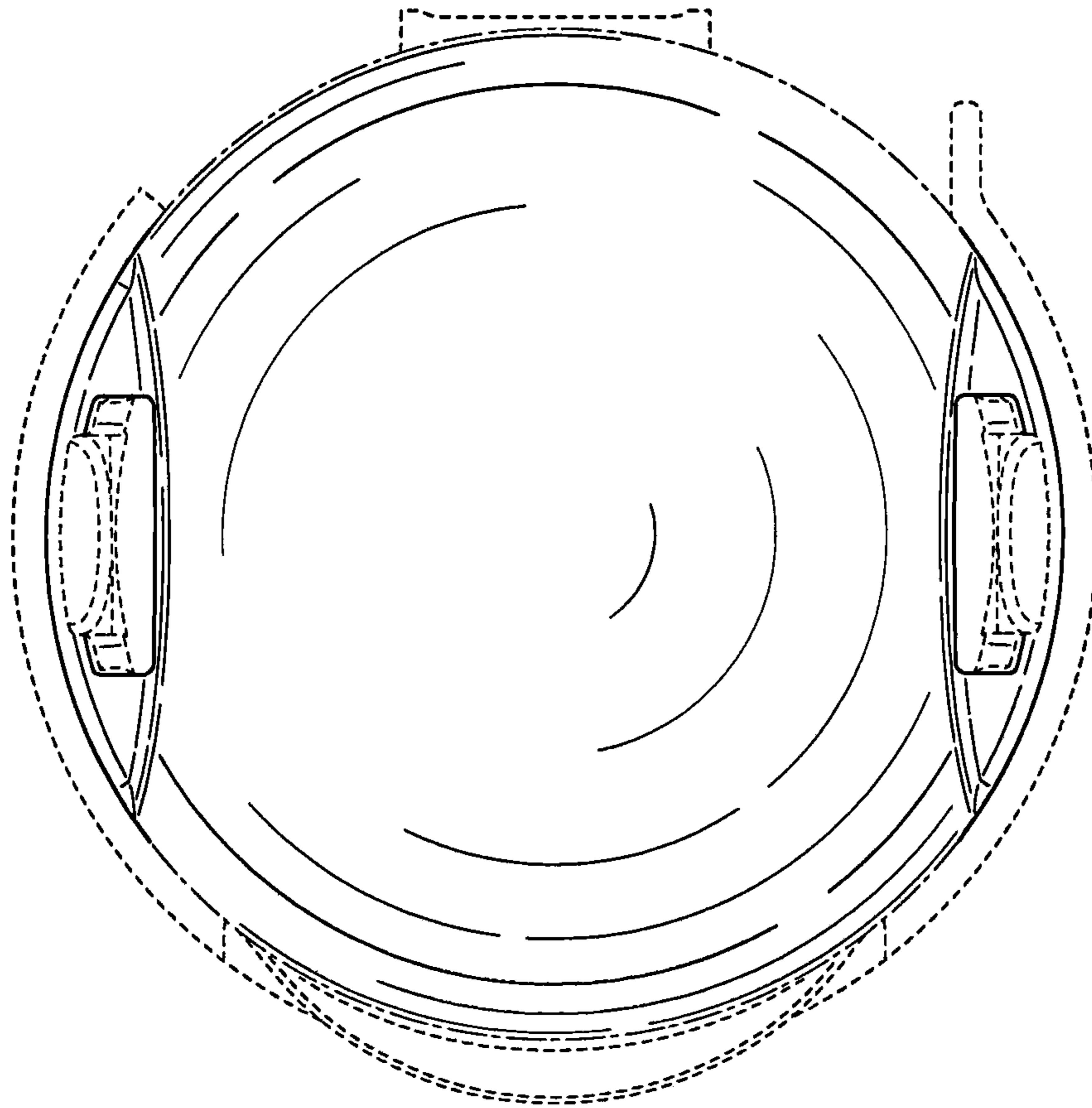


FIG. 6