



US00D708520S

(12) **United States Design Patent**
Schick

(10) **Patent No.:** **US D708,520 S**

(45) **Date of Patent:** **** Jul. 8, 2014**

(54) **TOP COVER FOR DRINKING VESSEL**

DESCRIPTION

(71) Applicant: **Pöppelmann Holding GmbH & Co. KG, Lohne (DE)**

(72) Inventor: **Werner Schick, Neuenkirchen (DE)**

(73) Assignee: **Pöppelmann Holding GmbH & Co. KG, Lohne (DE)**

(**) Term: **14 Years**

(21) Appl. No.: **29/445,074**

(22) Filed: **Feb. 7, 2013**

(30) **Foreign Application Priority Data**

Aug. 9, 2012 (EP) 002085993

(51) **LOC (10) Cl.** **09-07**

(52) **U.S. Cl.**
USPC **D9/451**

(58) **Field of Classification Search**
USPC D7/514–520, 613, 619.2, 623, 628,
D7/392.1; D9/600, 655–664, 434–435,
D9/441, 443, 451; 206/494, 457, 459.1,
206/459.5; 215/230, 400
See application file for complete search history.

(56) **References Cited**

U.S. PATENT DOCUMENTS

D130,837 S * 12/1941 Grunberg D9/441
D157,262 S * 2/1950 Jung D9/451
D182,425 S * 4/1958 McAuley D9/439
6,253,942 B1 * 7/2001 Elias D9/451

* cited by examiner

Primary Examiner — Sandra Morris

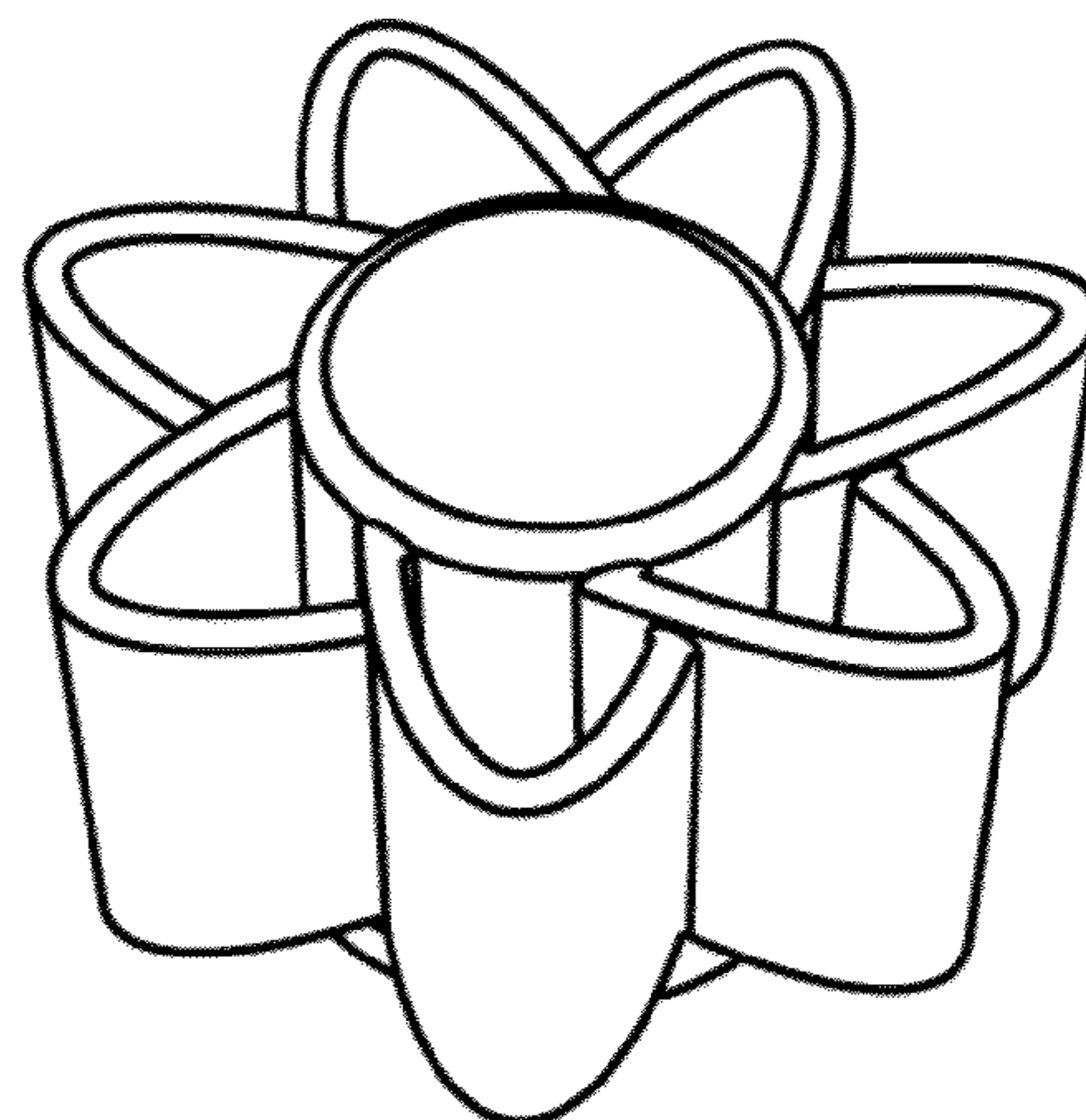
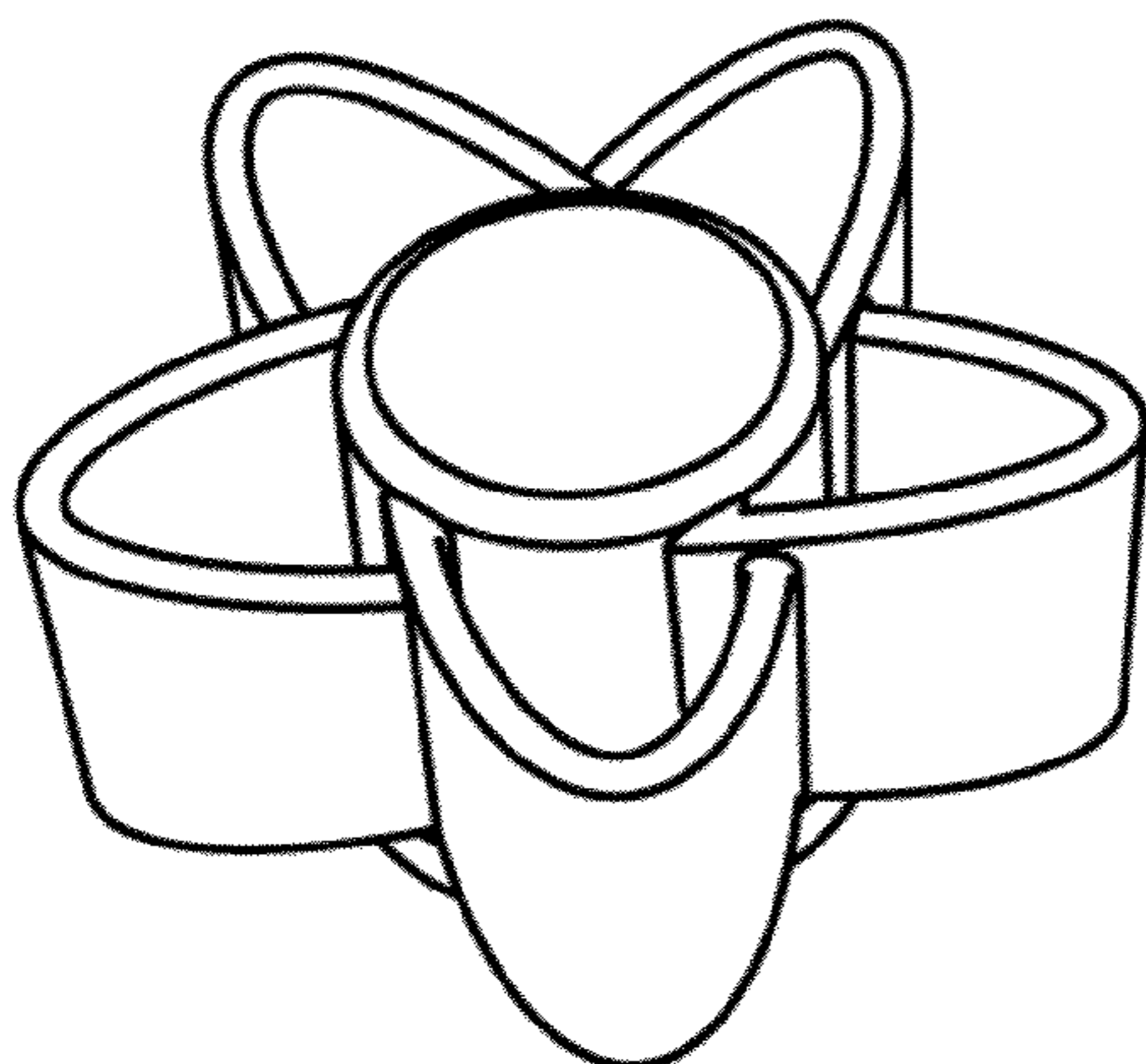
(74) *Attorney, Agent, or Firm* — Husch Blackwell LLP; H. Frederick Rusche

(57) **CLAIM**

I claim the ornamental design for a top cover for a drinking vessel, as shown and described.

FIG. 1 is a rear elevation view of a top cover for a drinking vessel according to a first embodiment of the new design; FIG. 2 is a bottom view of the first embodiment; FIG. 3 is a top perspective view of the first embodiment; FIG. 4 is a top view of the first embodiment; FIG. 5 is a front elevation view of the first embodiment; FIG. 6 is a right side elevation view of the first embodiment, the left side elevation view (not shown) being substantially similar to the right side elevation view; FIG. 7 is a bottom view of a top cover for a drinking vessel according to a second embodiment of the new design; FIG. 8 is a top perspective view of the second embodiment; FIG. 9 is a top view of the second embodiment; FIG. 10 is a front elevation view of the second embodiment, the rear elevation view (not shown) being substantially similar to the front elevation view; FIG. 11 is a right side elevation view of the second embodiment, the left side elevation view (not shown) being substantially similar to the right side elevation view; FIG. 12 is rear elevation view of a top cover for a drinking vessel according to a third embodiment of the new design; FIG. 13 is a bottom view of the third embodiment; FIG. 14 is a top perspective view of the third embodiment; FIG. 15 is a top view of the third embodiment; FIG. 16 is a front elevation view of the third embodiment; FIG. 17 is a right side elevation view of the third embodiment, the left side elevation view (not shown) being substantially similar to the right side elevation view; FIG. 18 is a rear elevation view of a top cover for a drinking vessel according to a fourth embodiment of the new design; FIG. 19 is a bottom view of the fourth embodiment; FIG. 20 is a top perspective view of the fourth embodiment; FIG. 21 is a top view of the fourth embodiment; FIG. 22 is a front elevation view of the fourth embodiment; and, FIG. 23 is a right side elevation view of the fourth embodiment, the left side elevation view (not shown) being substantially similar to the right side elevation view. The broken lines in the figures are included for the purpose of illustrating a portion of the item that forms no part of the claimed design.

1 Claim, 23 Drawing Sheets



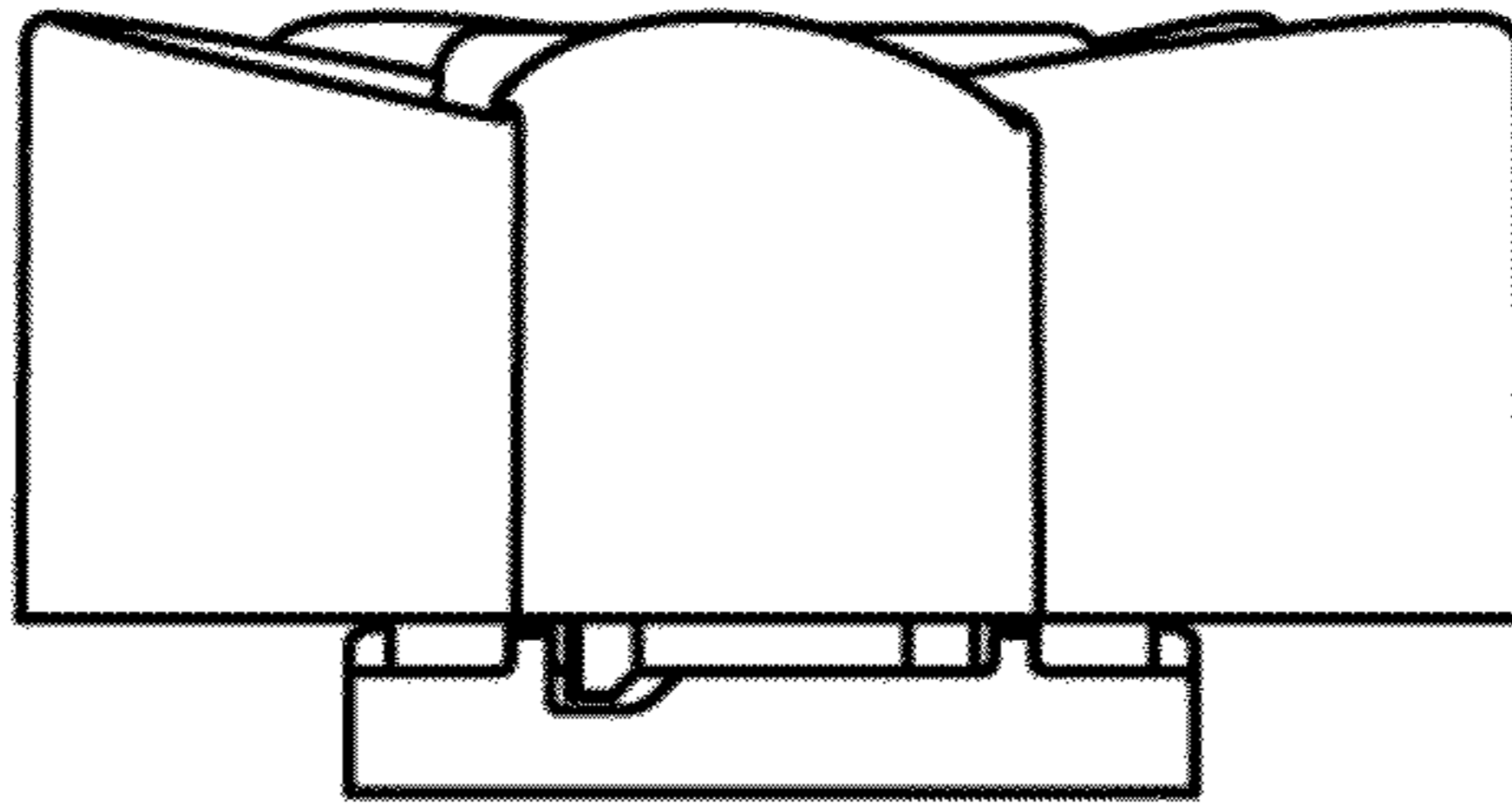


Fig. 1

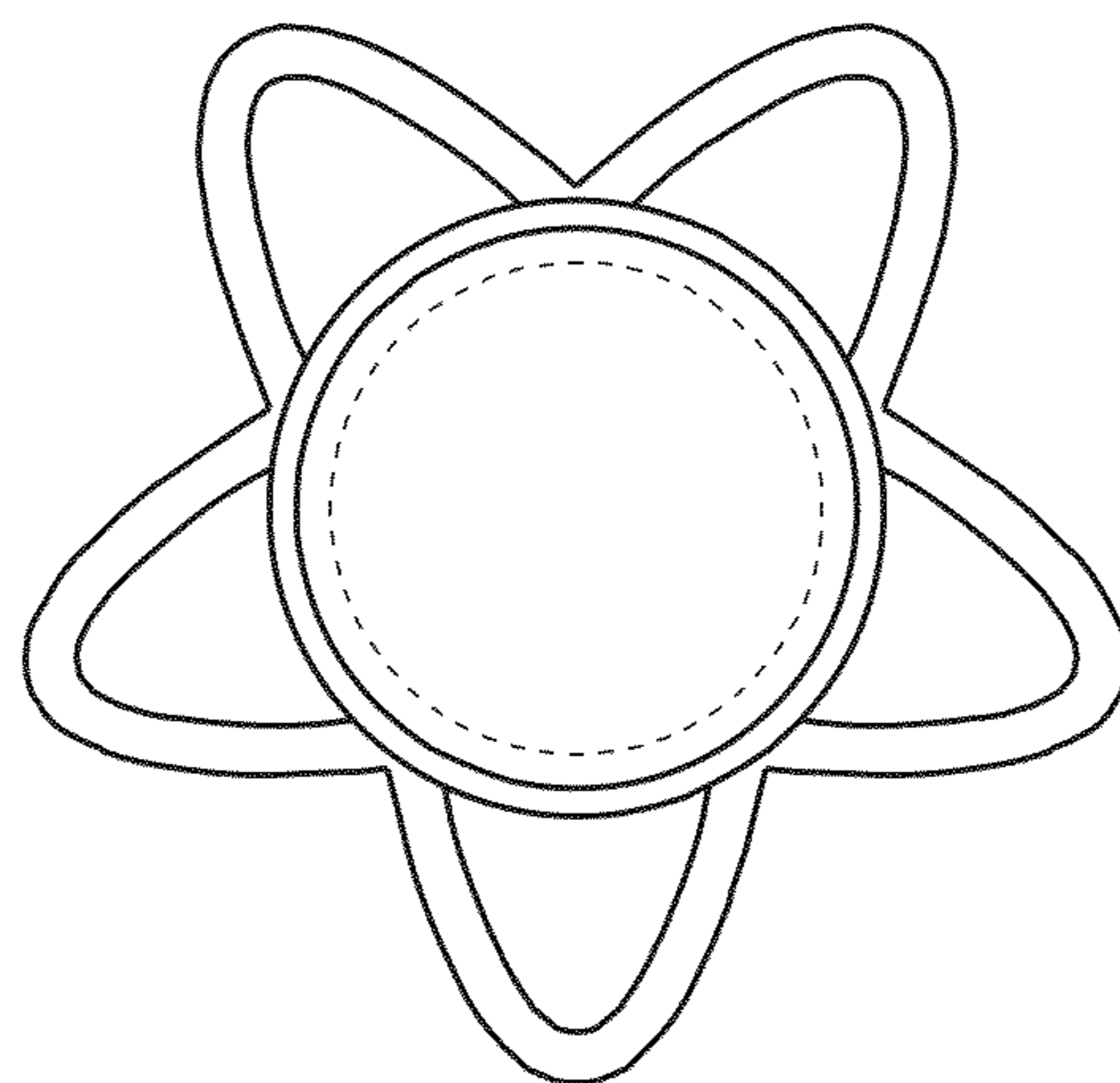


Fig. 2

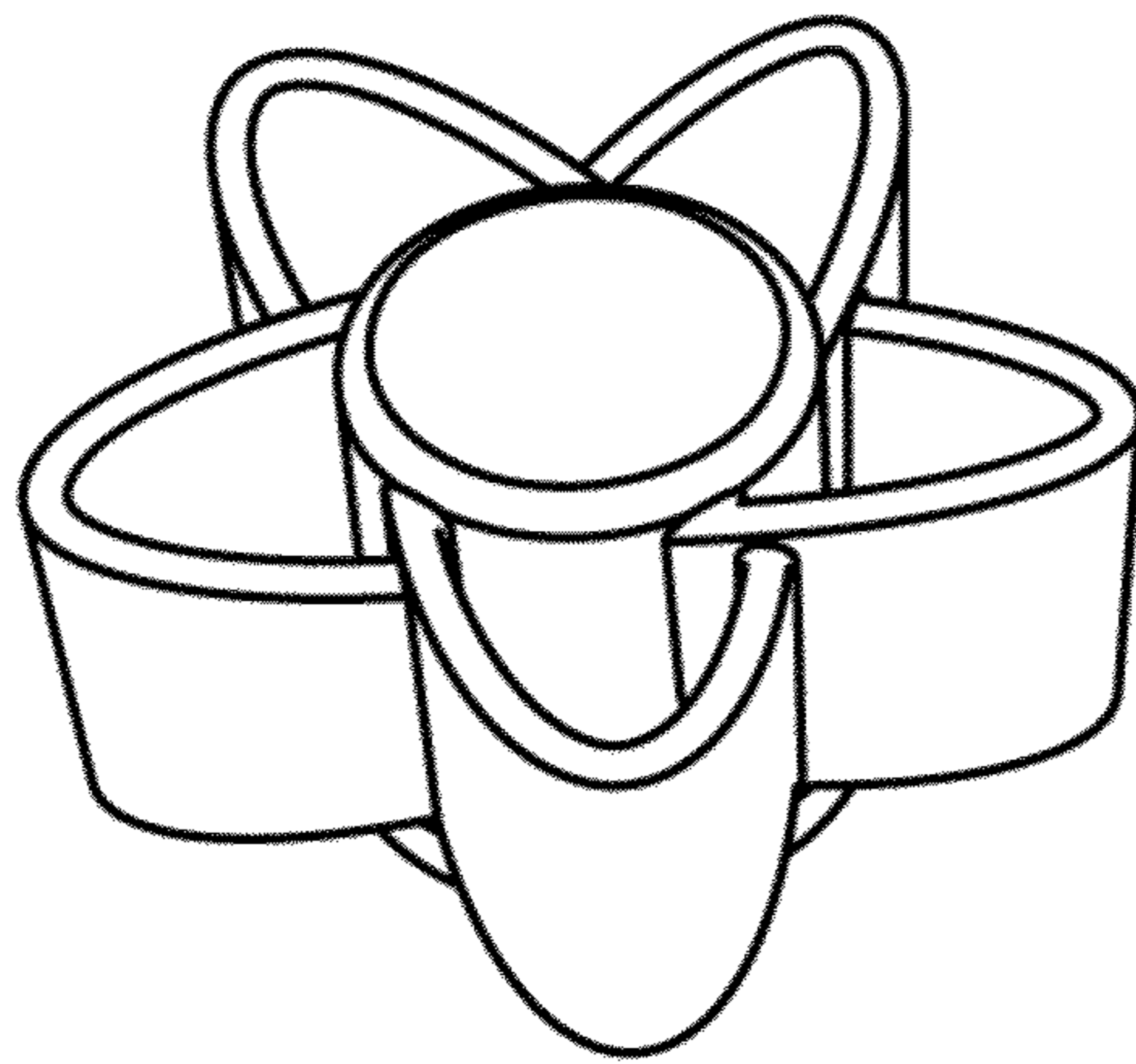


Fig. 3

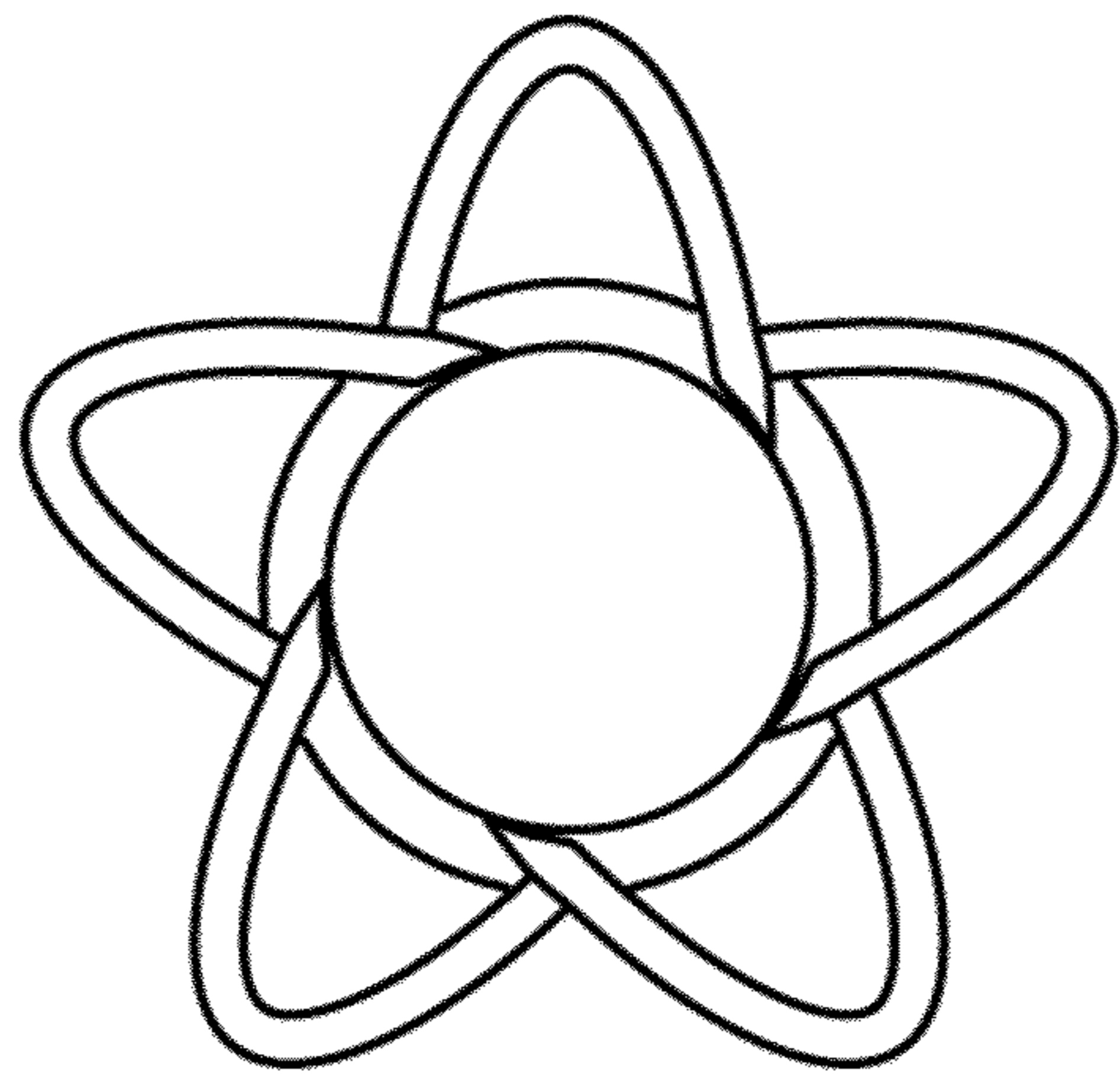


Fig. 4

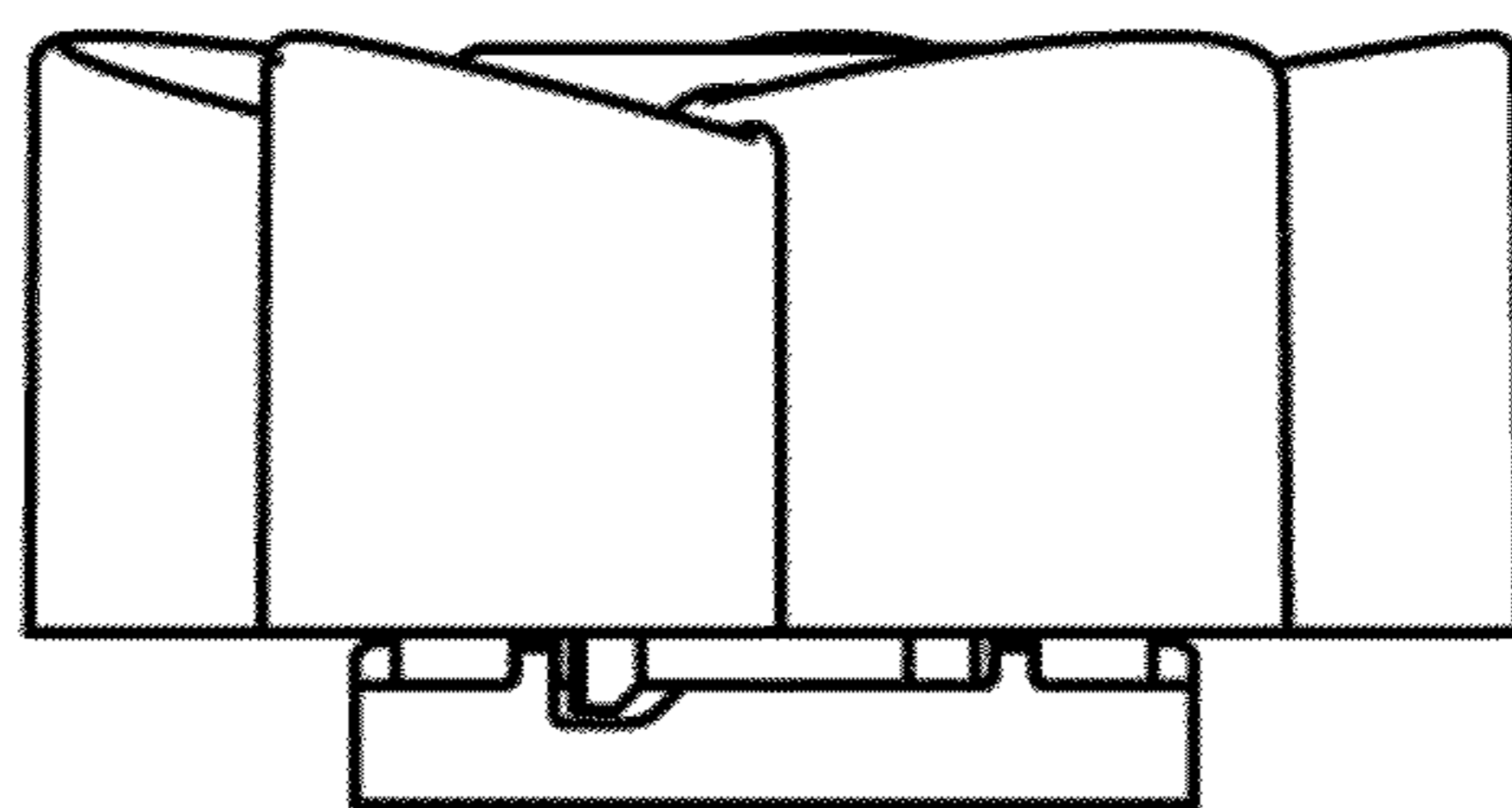


Fig. 5

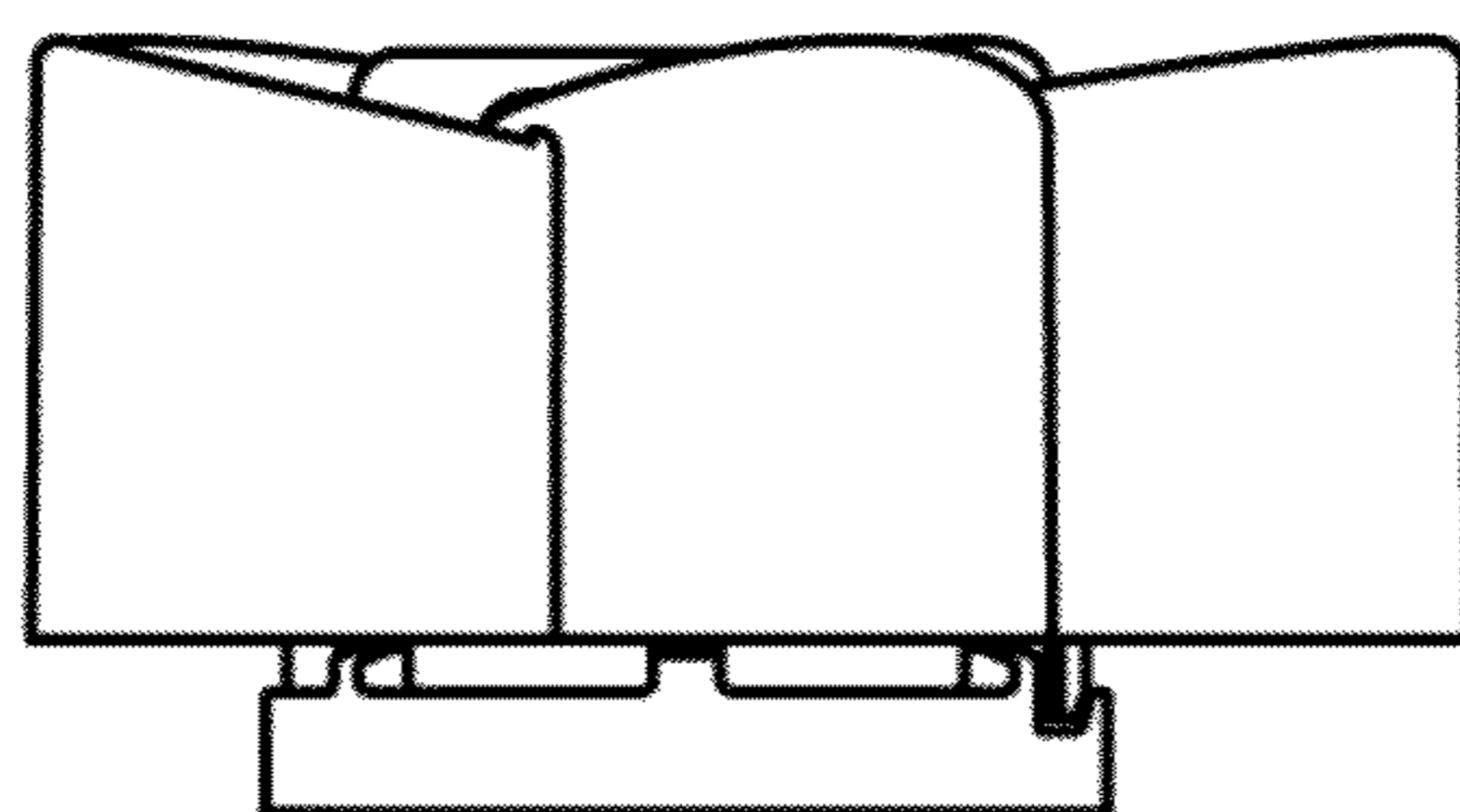


Fig. 6

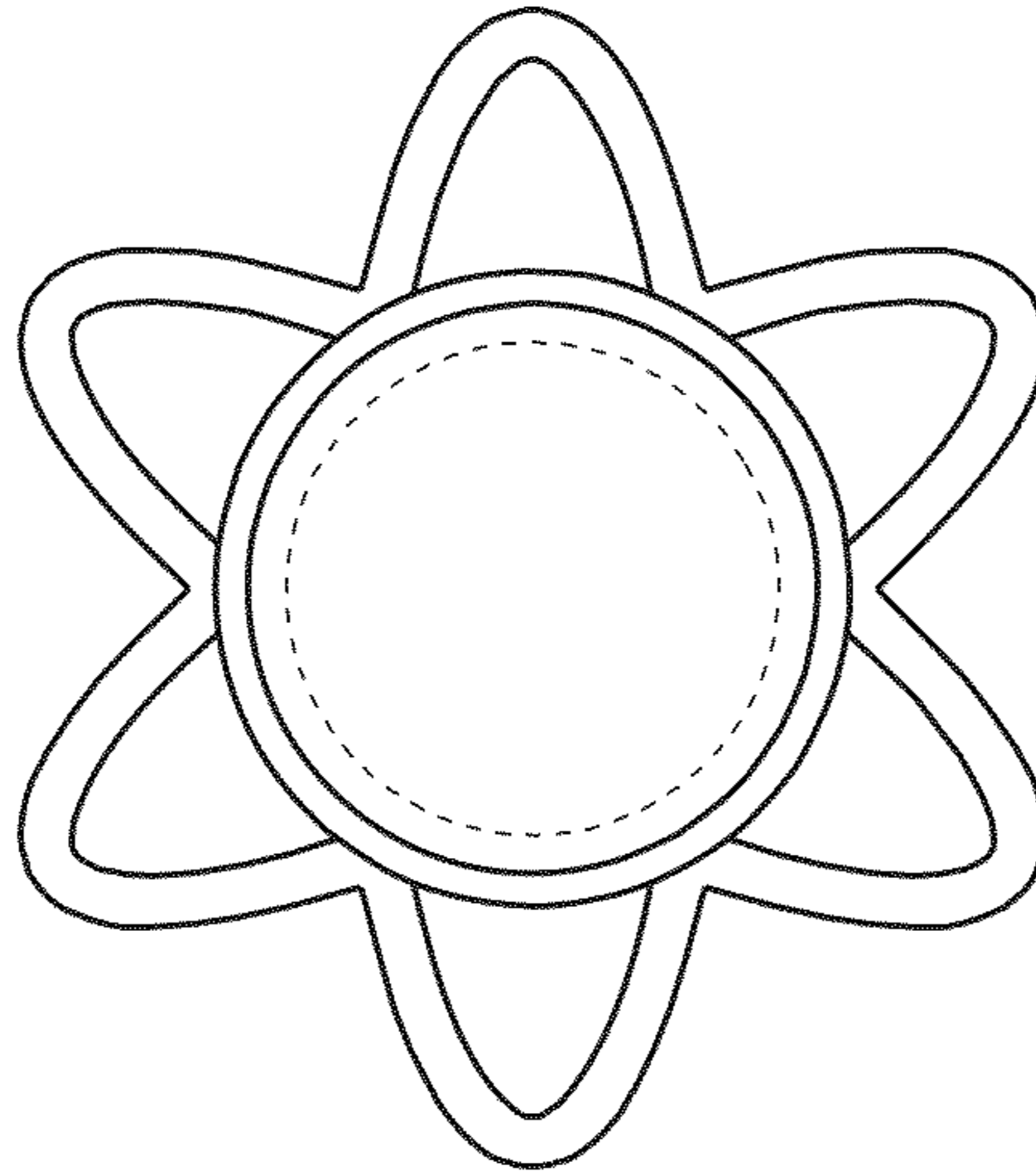


Fig. 7

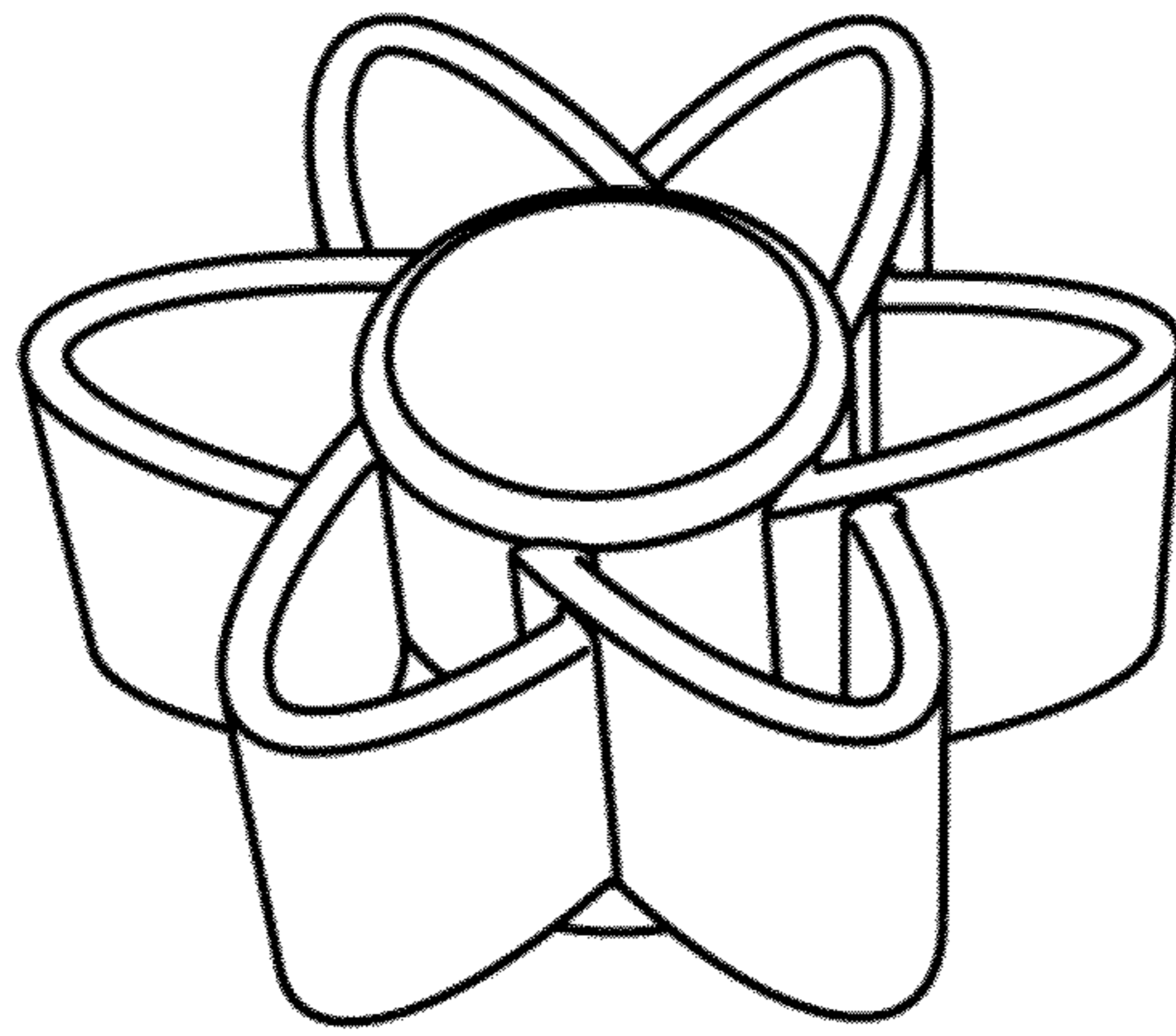


Fig. 8

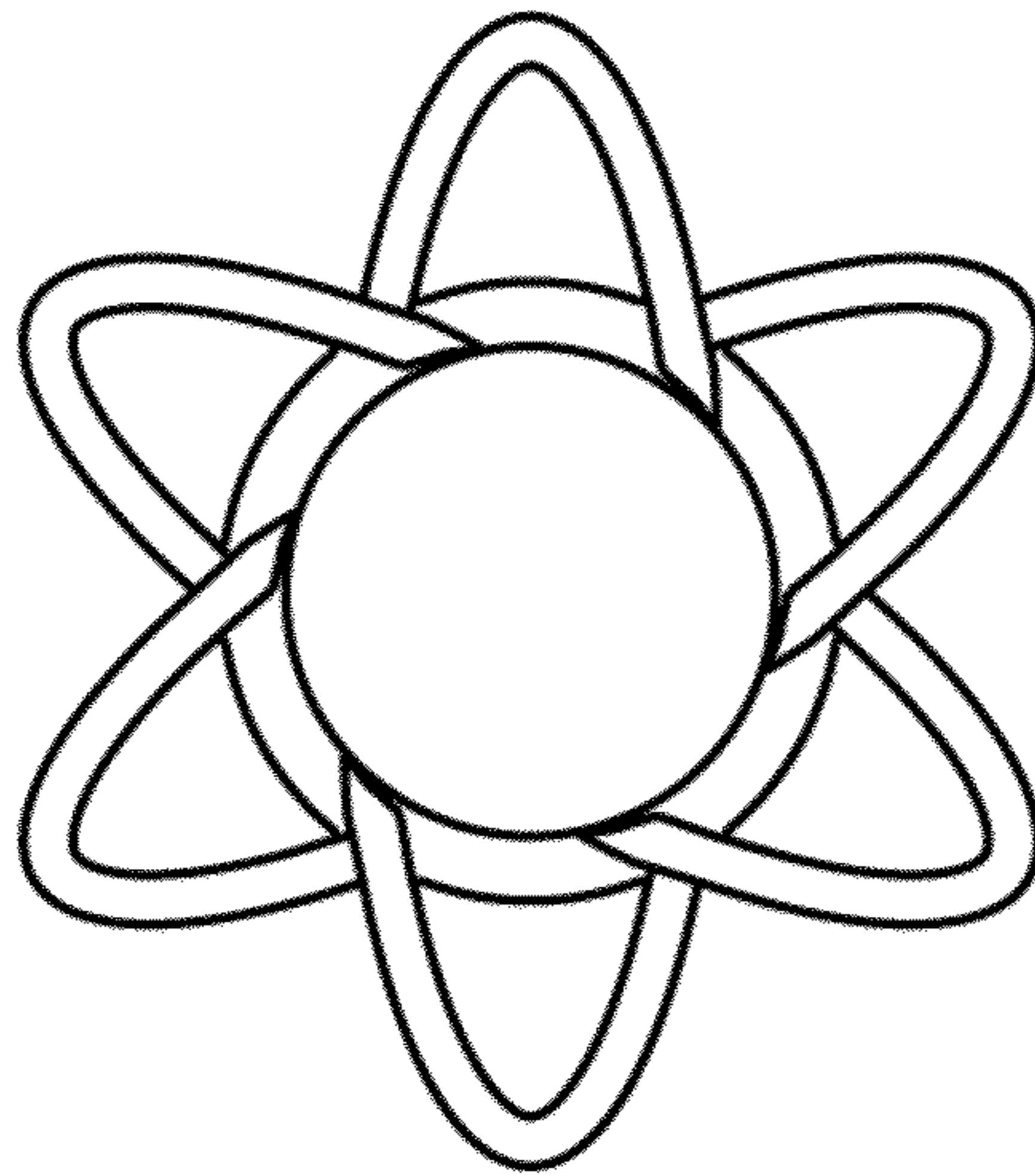


Fig. 9

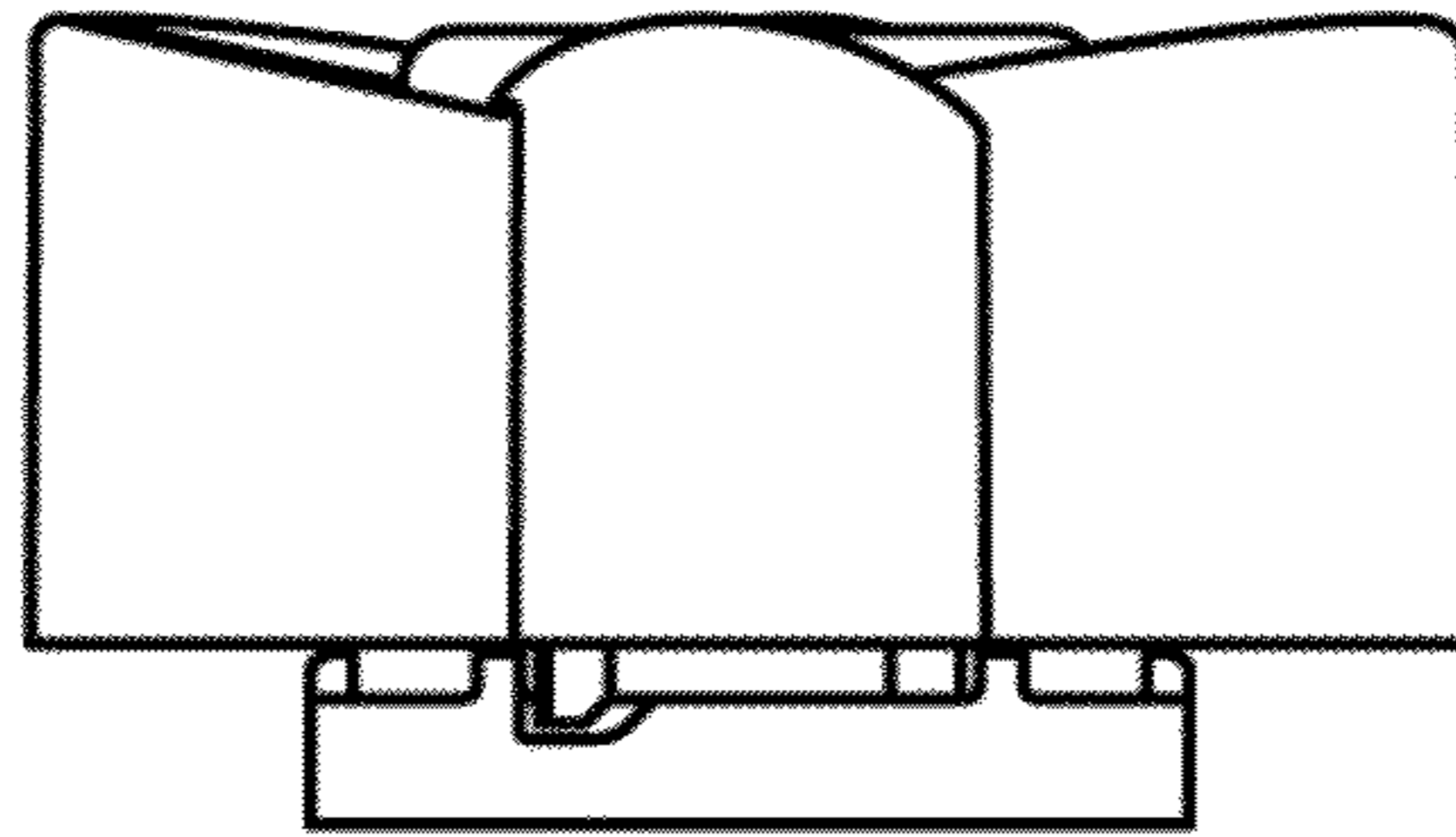


Fig. 10

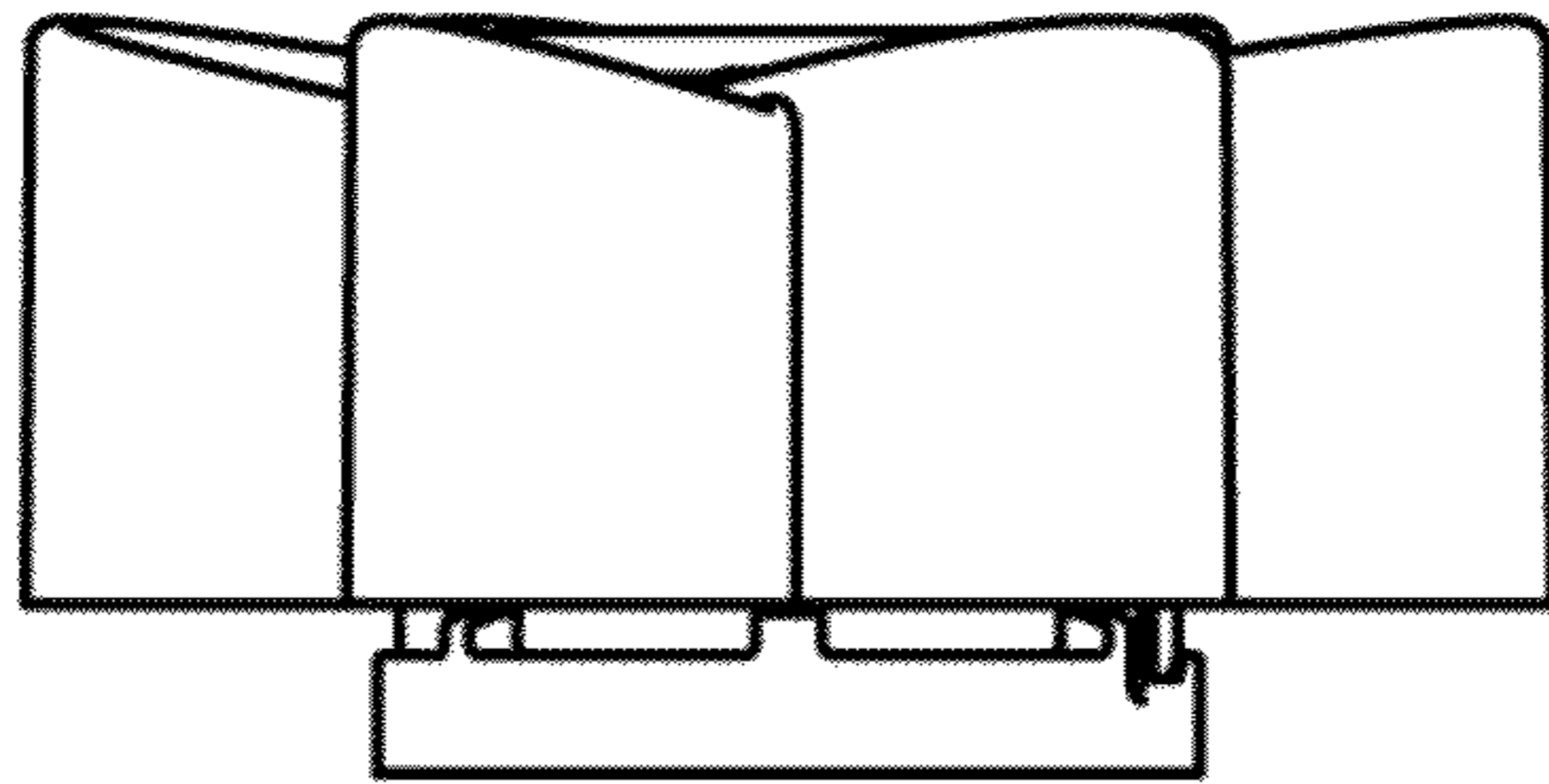


Fig. 11

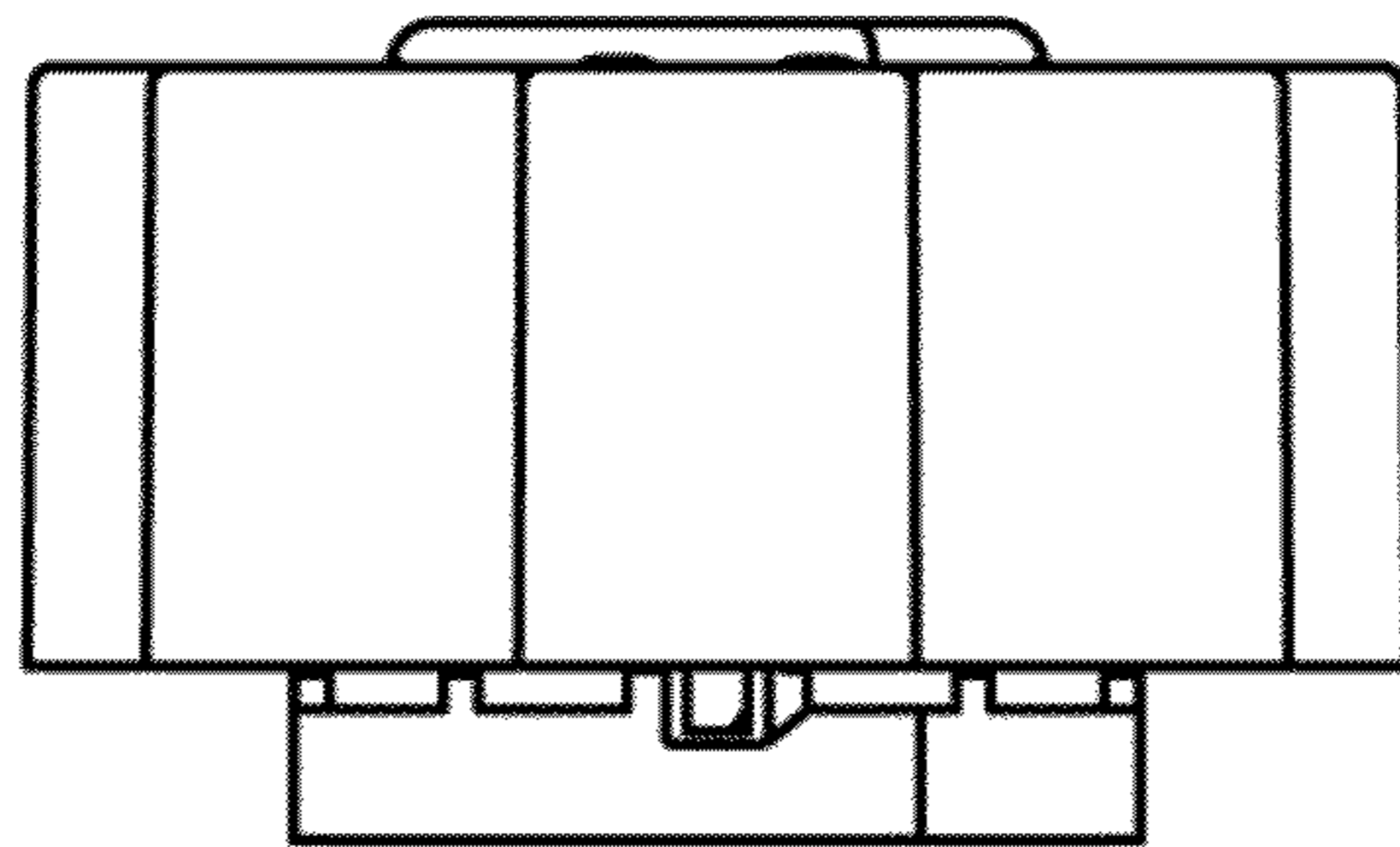


Fig. 12

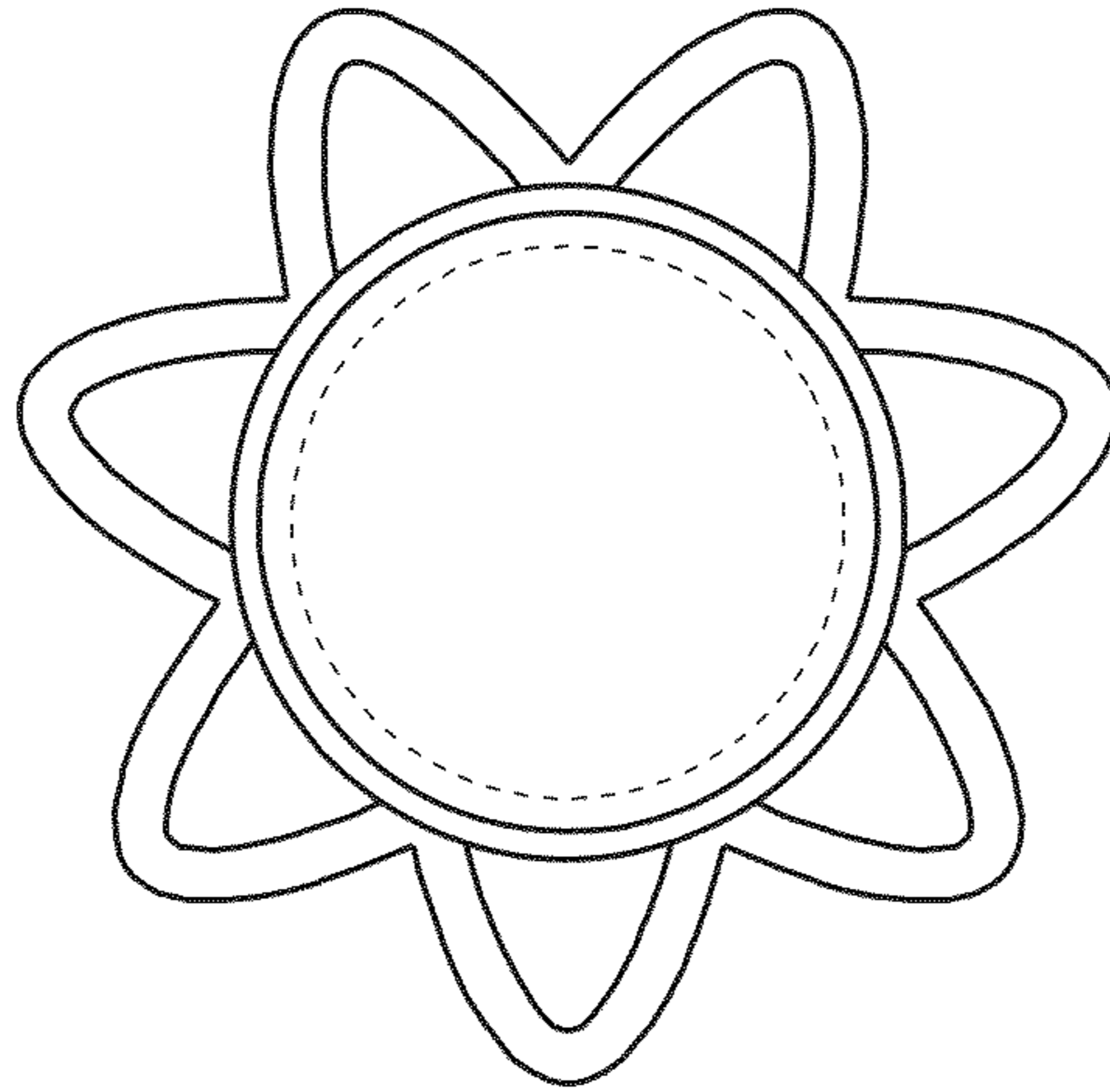


Fig. 13

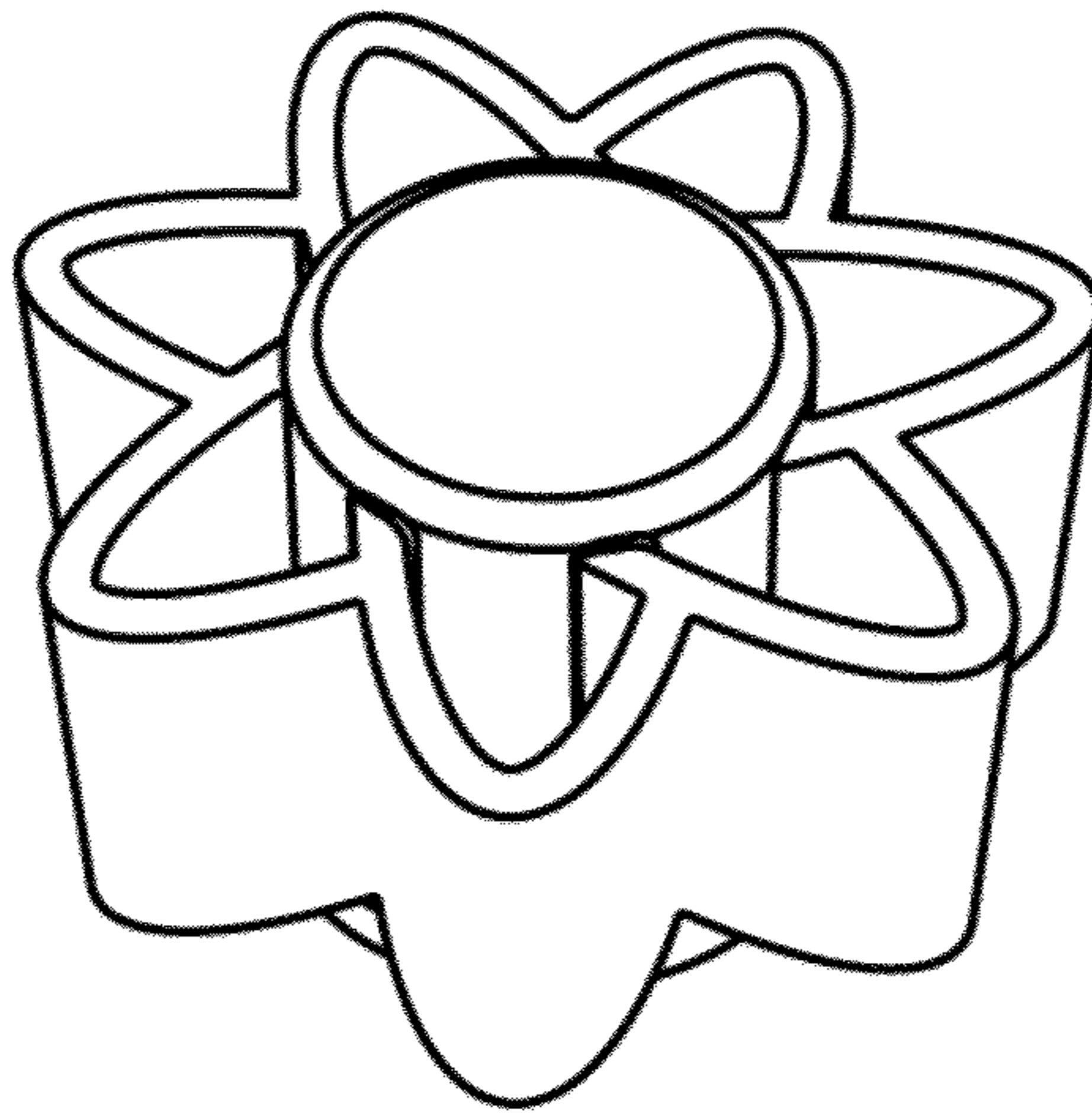


Fig. 14

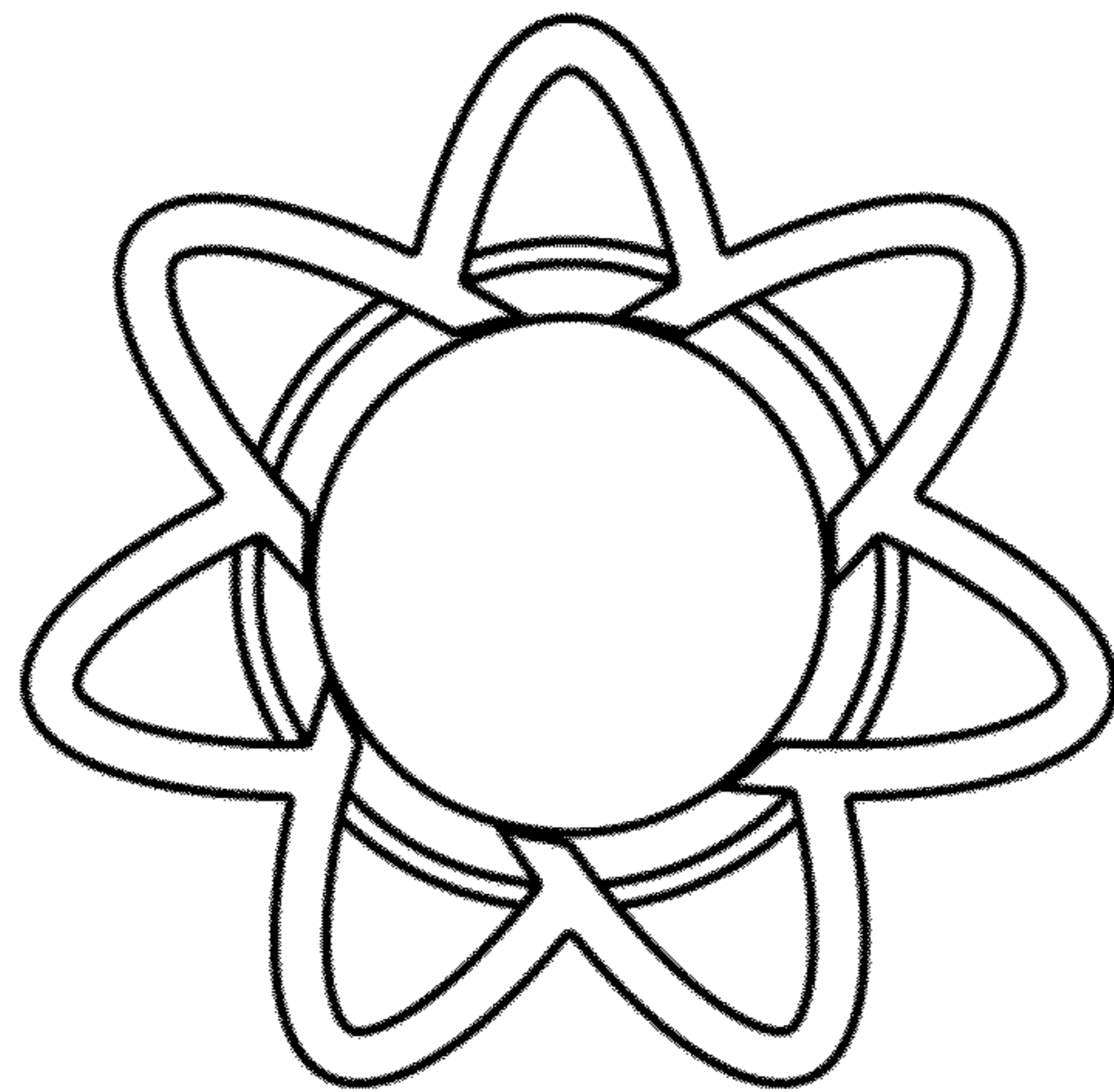


Fig. 15

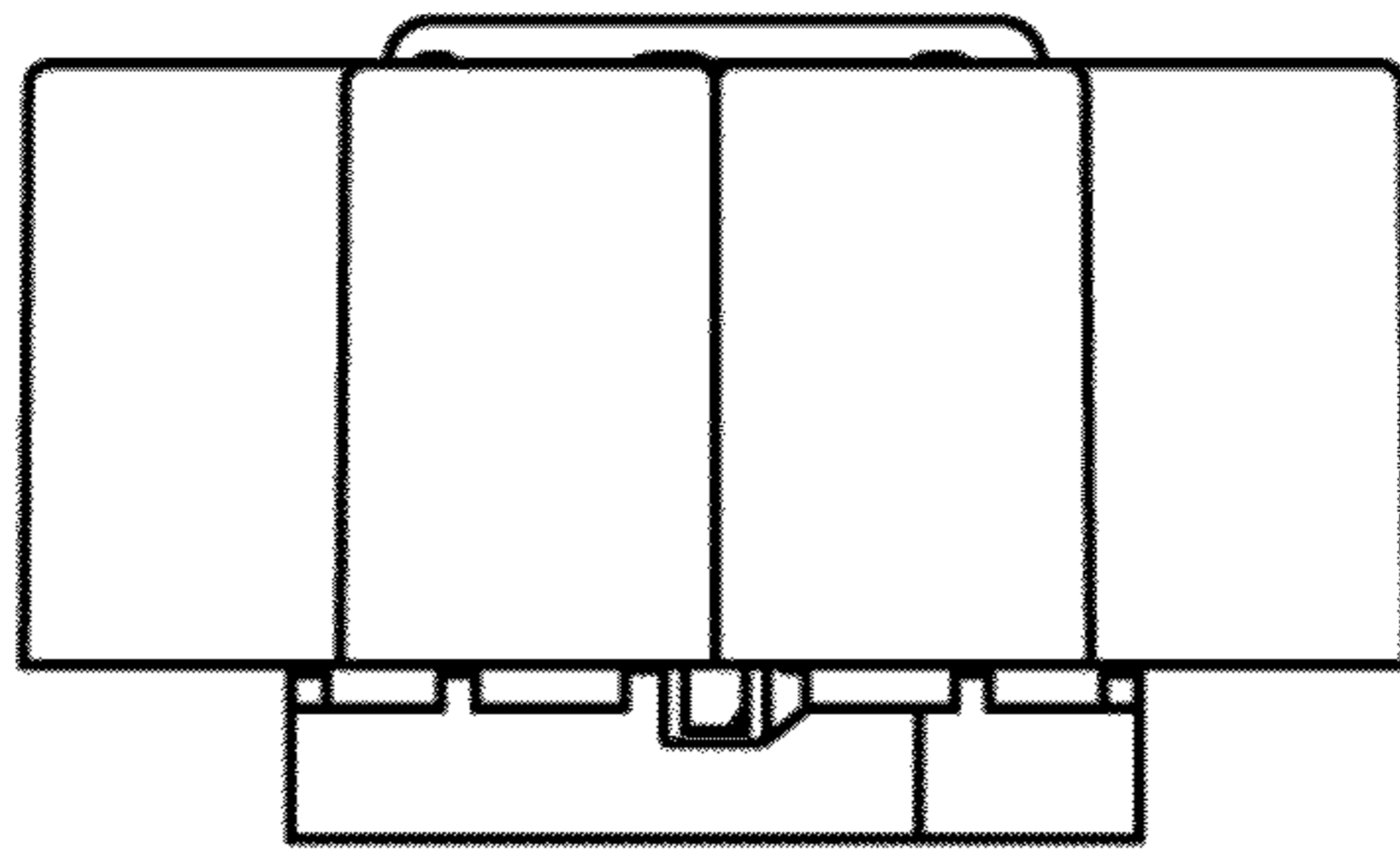


Fig. 16

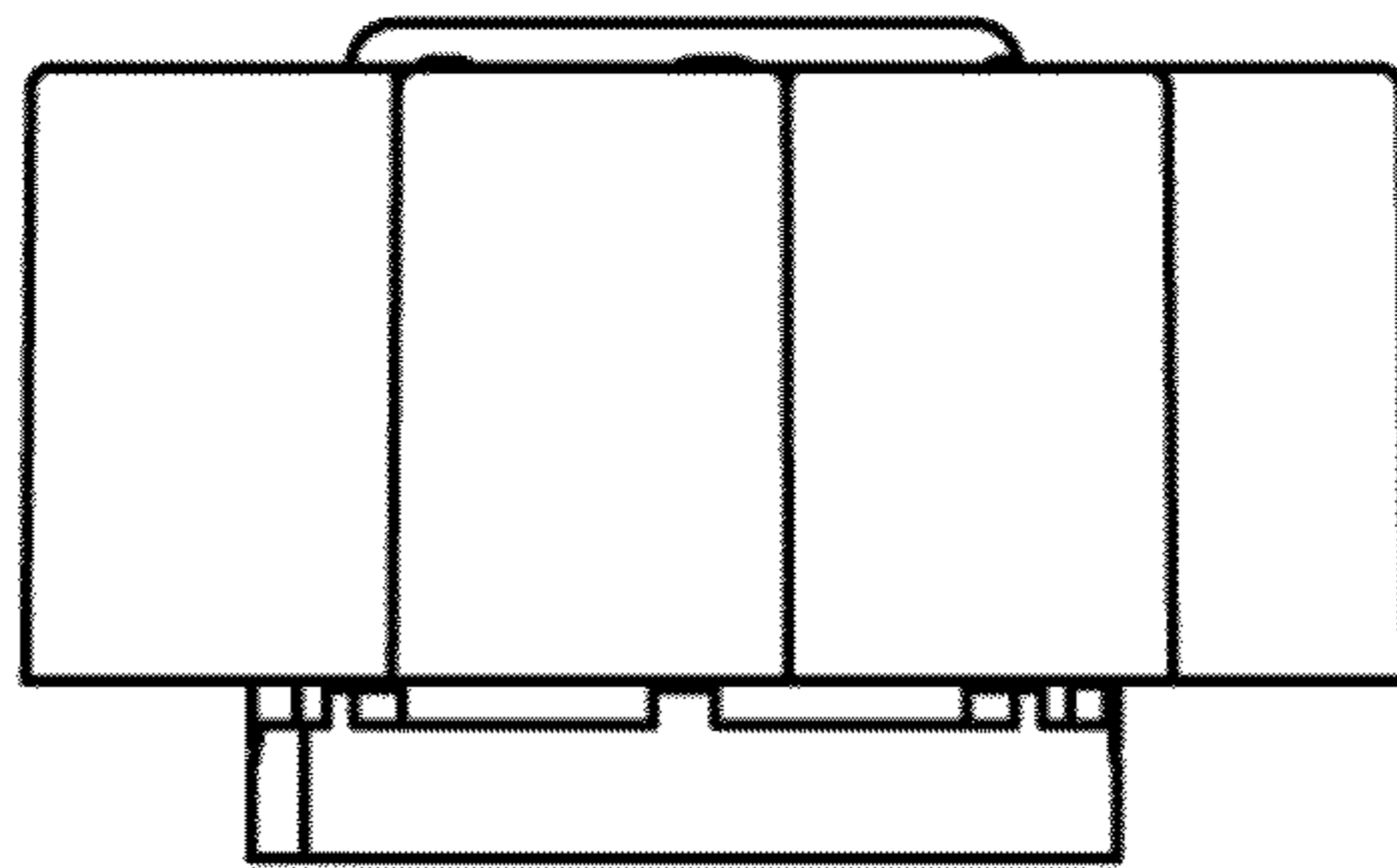


Fig. 17

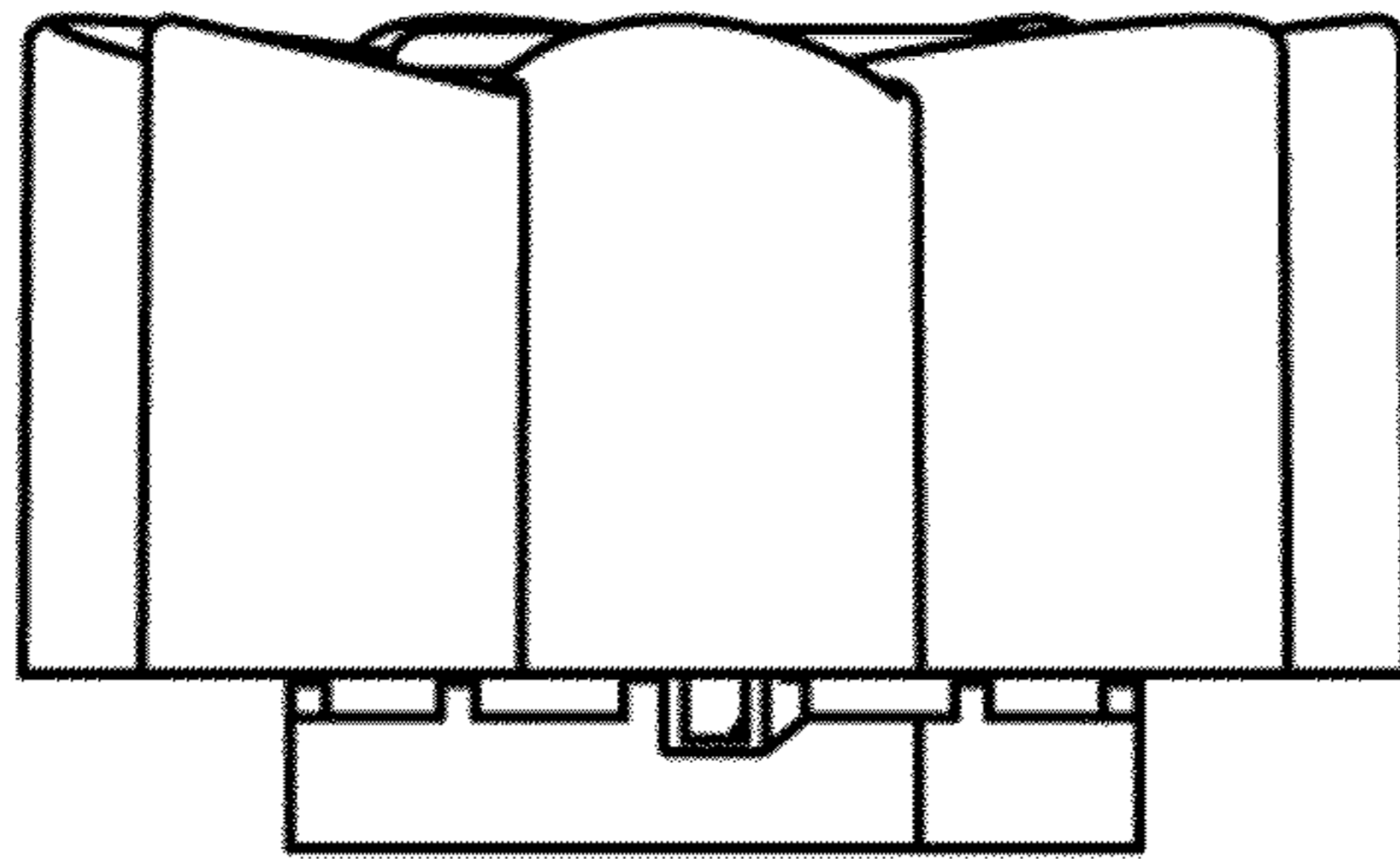


Fig. 18

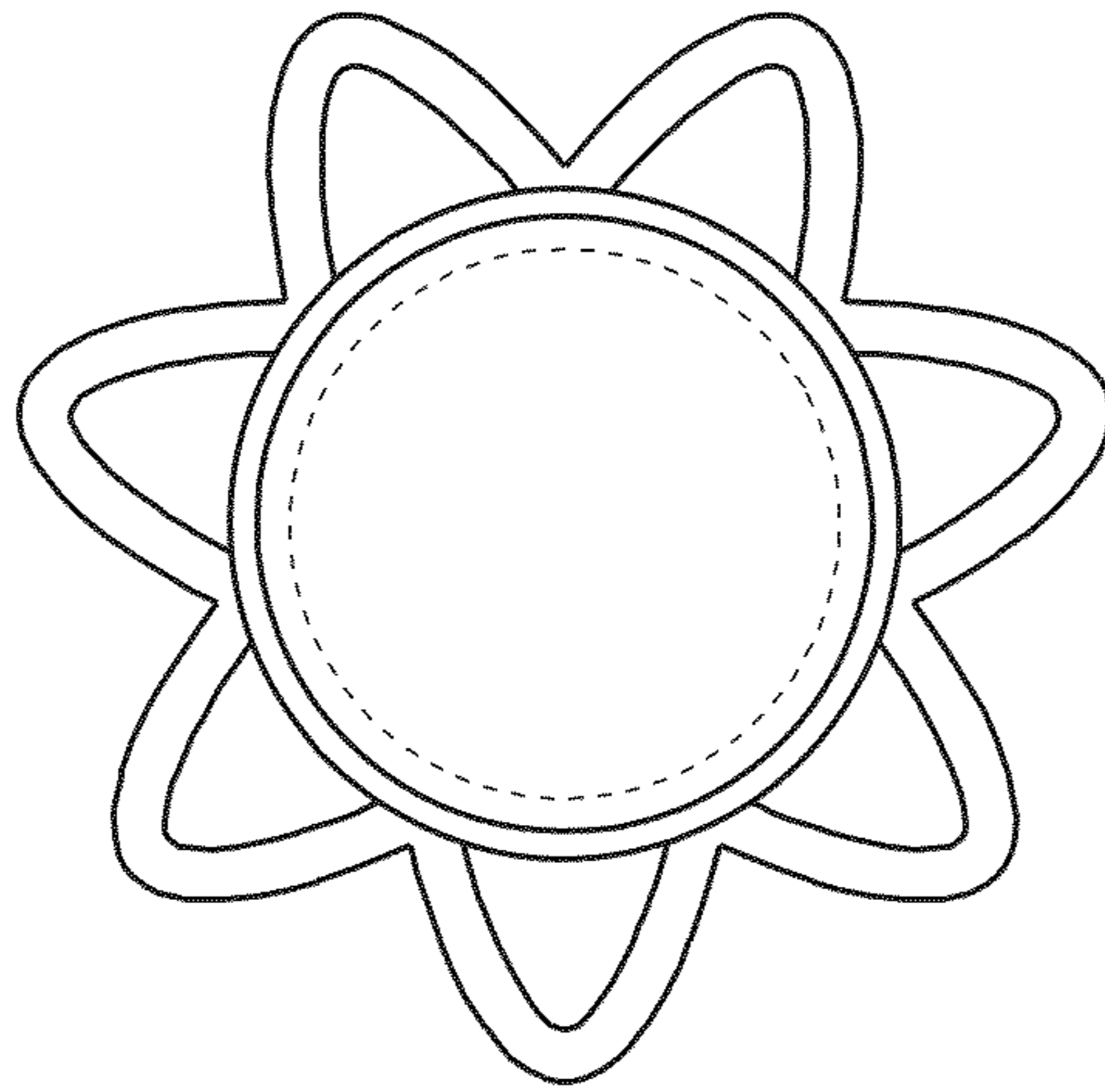


Fig. 19

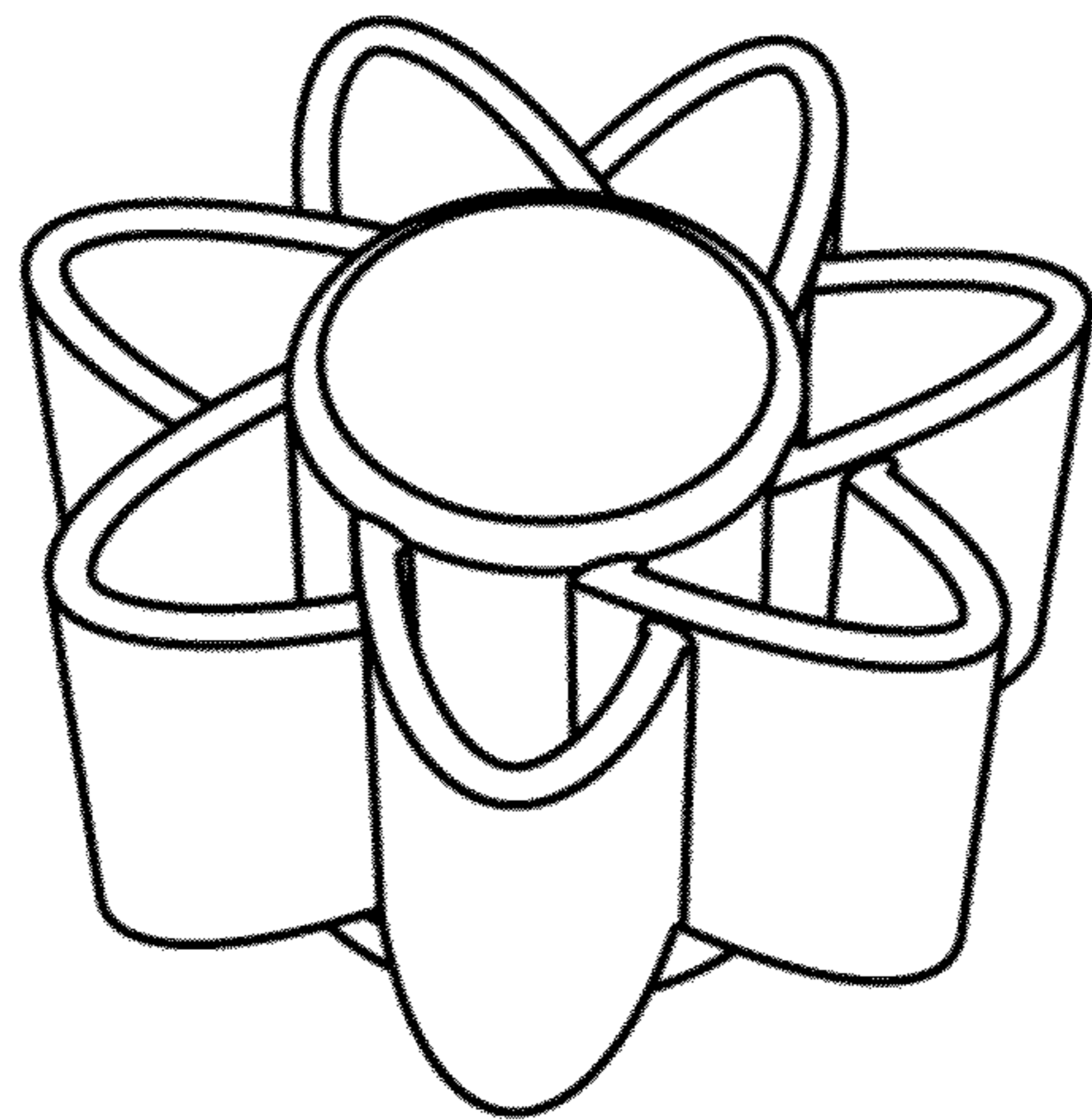


Fig. 20

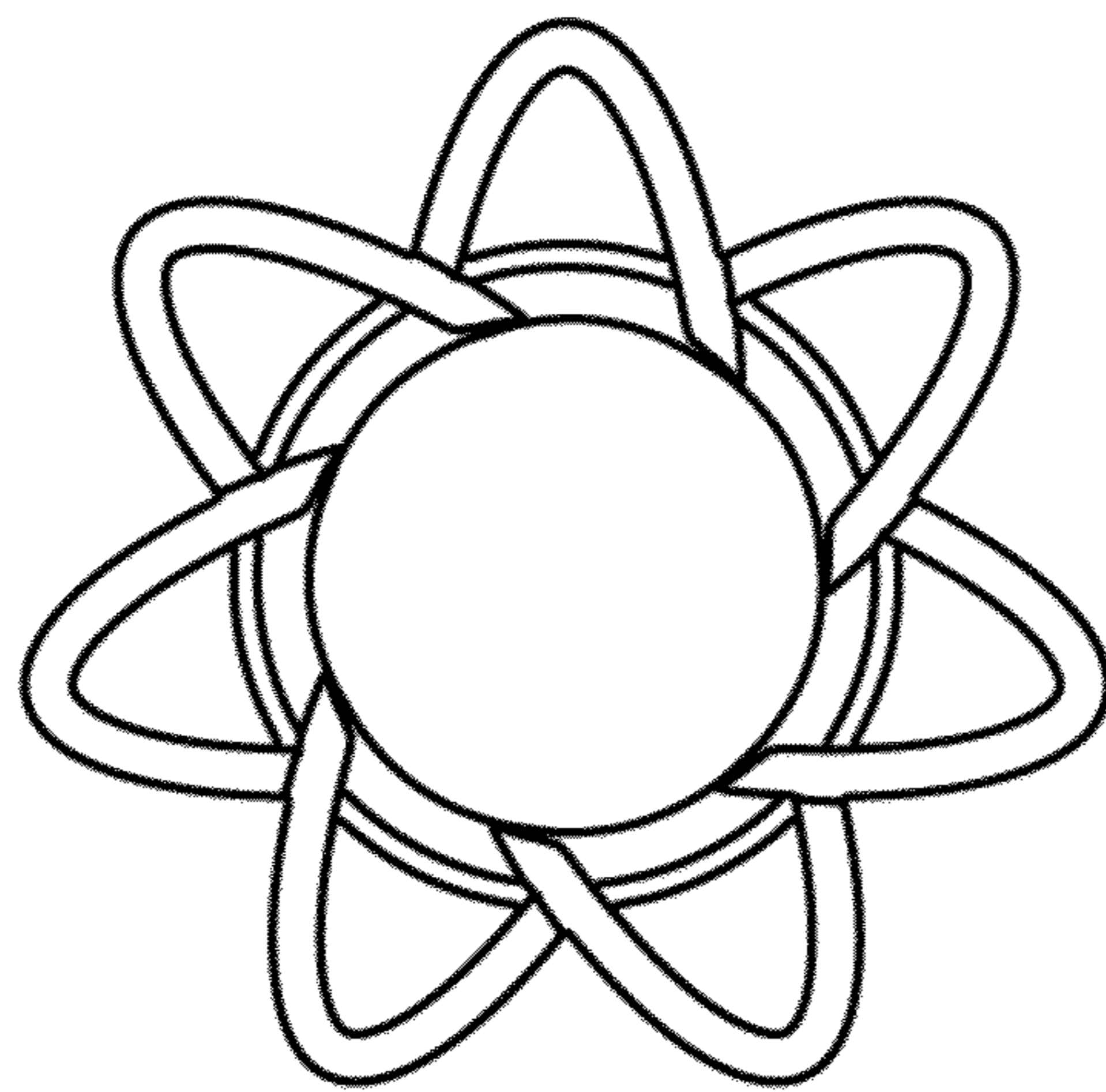


Fig. 21

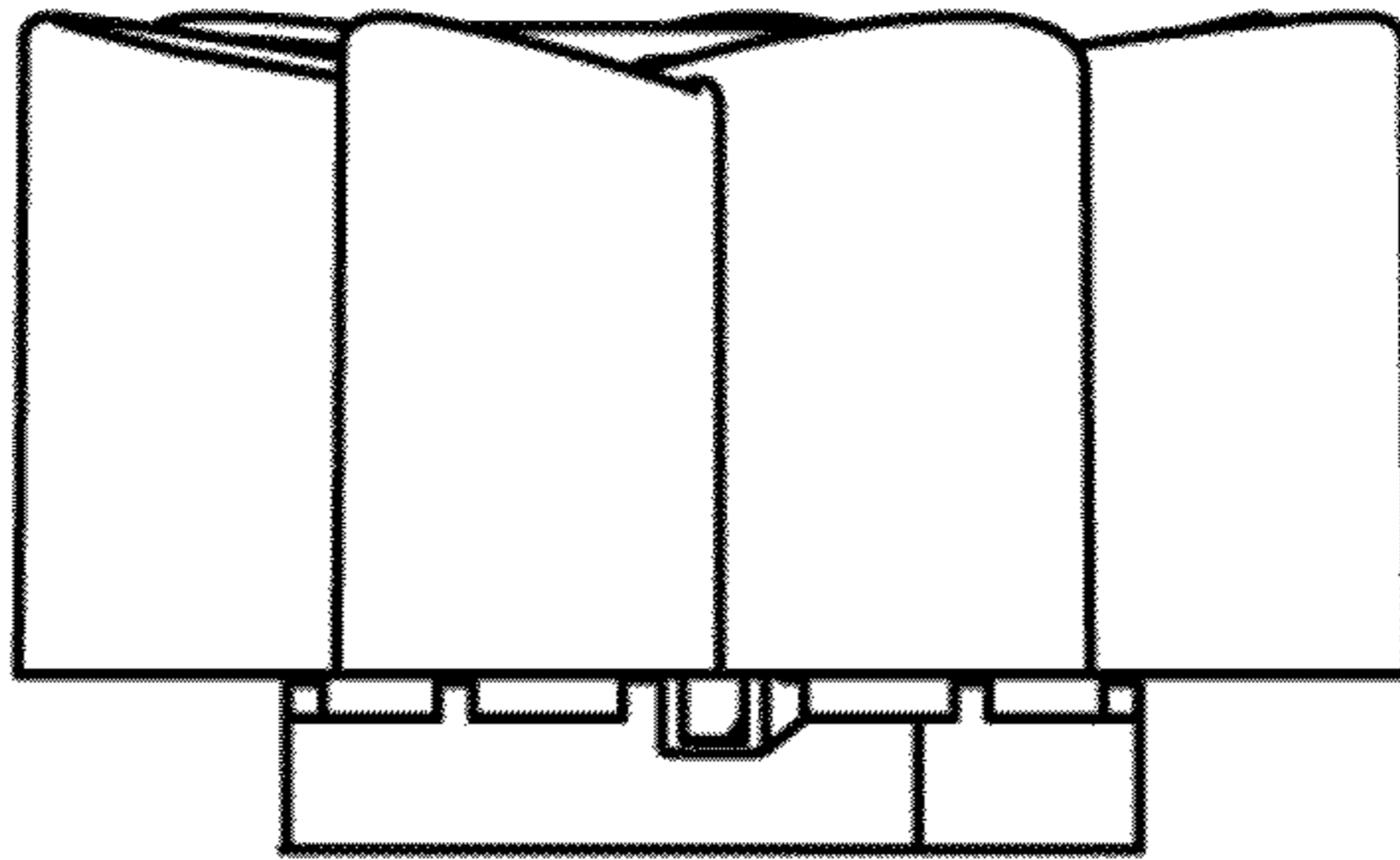


Fig. 22

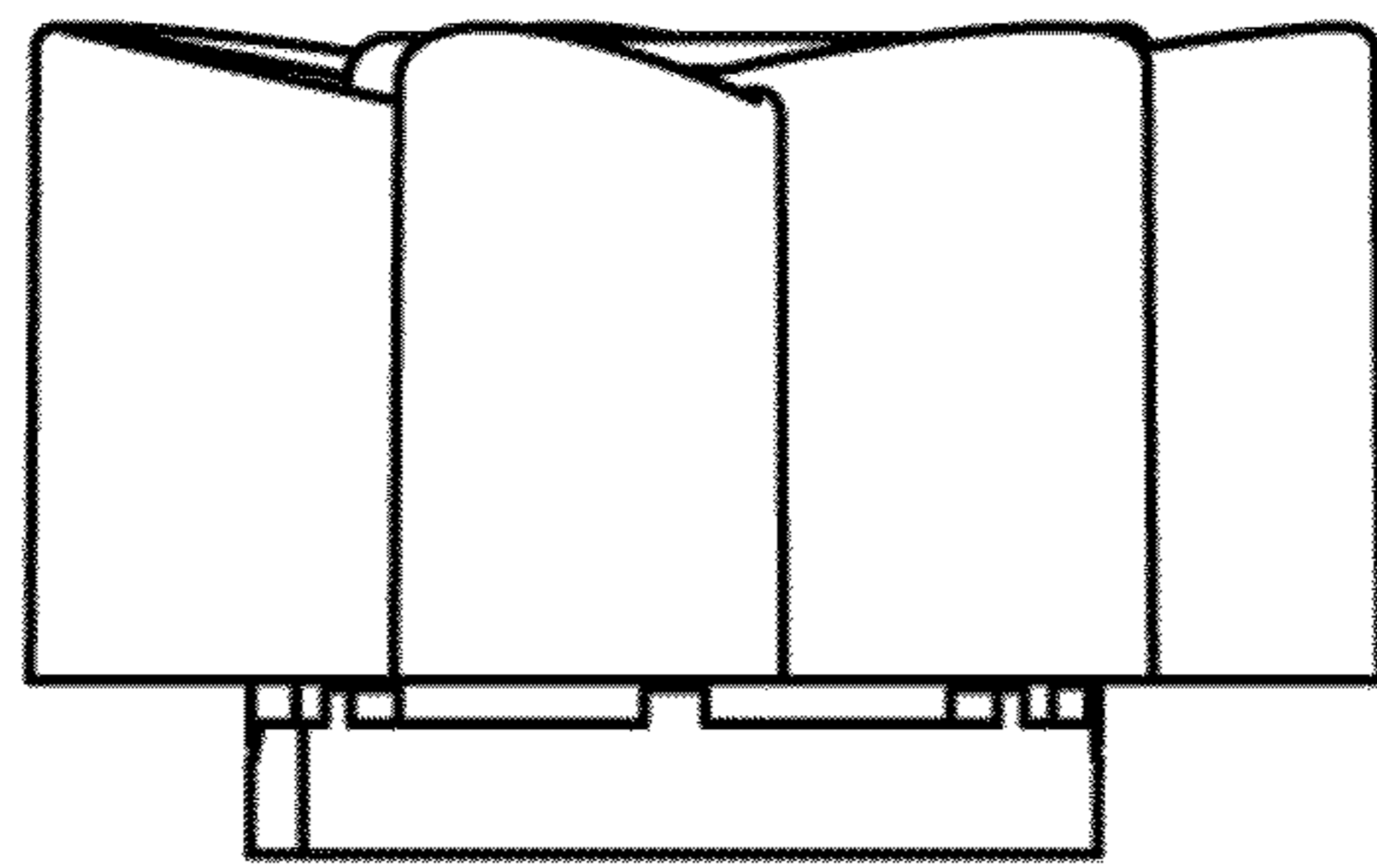


Fig. 23