



US00D708514S

(12) **United States Design Patent**
Kiamilev

(10) **Patent No.:** **US D708,514 S**
(45) **Date of Patent:** **** Jul. 8, 2014**

(54) **CARTON AND BLANK FOR FORMING SAME**

(71) Applicant: **Emir Kiamilev**, Redondo Beach, CA
(US)

(72) Inventor: **Emir Kiamilev**, Redondo Beach, CA
(US)

(**) Term: **14 Years**

(21) Appl. No.: **29/448,014**

(22) Filed: **Mar. 8, 2013**

(51) **LOC (10) Cl.** **09-03**

(52) **U.S. Cl.**
USPC **D9/432; D9/433**

(58) **Field of Classification Search**
CPC B29L 2031/716; B29L 2031/7164;
B29L 2031/7166; B65D 1/22; B65D 1/34;
B65D 43/162; B65D 81/02; B65D 81/3813;
B65D 5/00; B65D 5/001; B65D 5/0025;
B65D 5/005; B65D 5/067-5/069; B65D 5/64;
B65D 5/72; B65D 21/00
USPC D9/415-419, 420-425, 428, 429-435,
D9/708, 719, 734; D3/203.2, 272, 273,
D3/294, 302-304; D7/538-542, 601, 602,
D7/629; 220/780-806, 574-575;
206/521.1, 541, 564; 229/100-101.3,
229/106, 108-112, 124, 125, 162.1, 165,
229/172, 182.1, 183, 185, 200, 210, 221,
229/406, 407

See application file for complete search history.

(56) **References Cited**

U.S. PATENT DOCUMENTS

D195,430 S *	6/1963	Mapes	D9/600
D321,647 S *	11/1991	Oldorf	D9/734
D336,428 S *	6/1993	Buratto	D9/432
D479,685 S *	9/2003	Zanchetta et al.	D9/433
D652,736 S *	1/2012	Boyer et al.	D9/600
D690,593 S *	10/2013	Kaps et al.	D9/432

* cited by examiner

Primary Examiner — Susan Bennett Hattan

Assistant Examiner — Vy Koenig

(74) *Attorney, Agent, or Firm* — Continuum Law; Robert P. Cogan

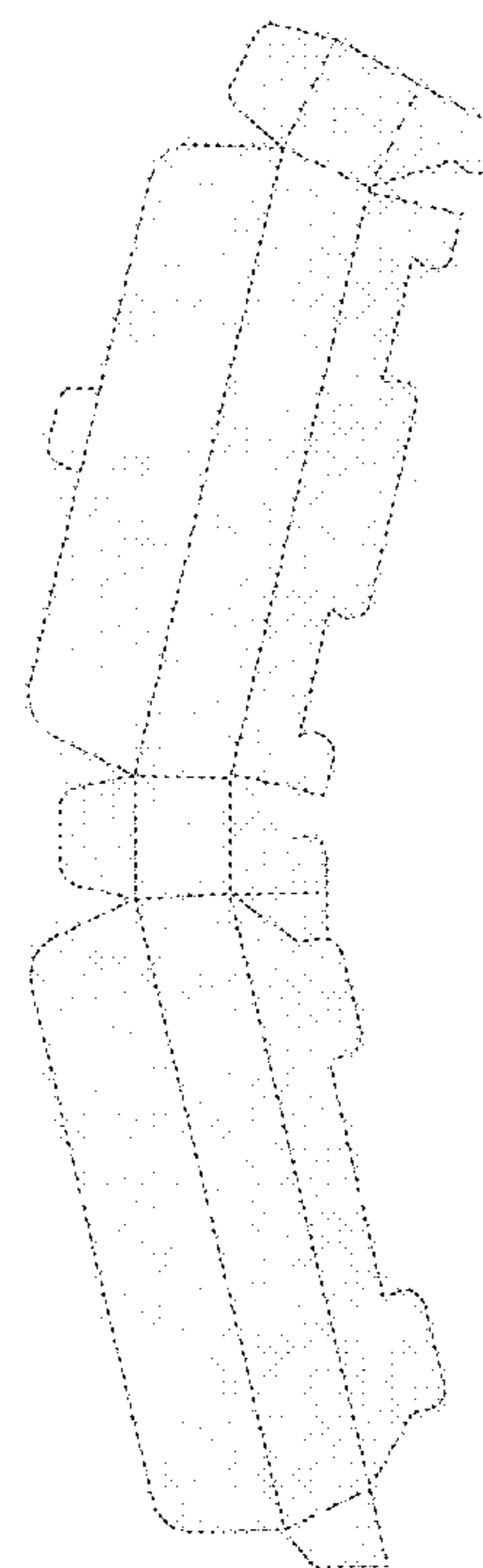
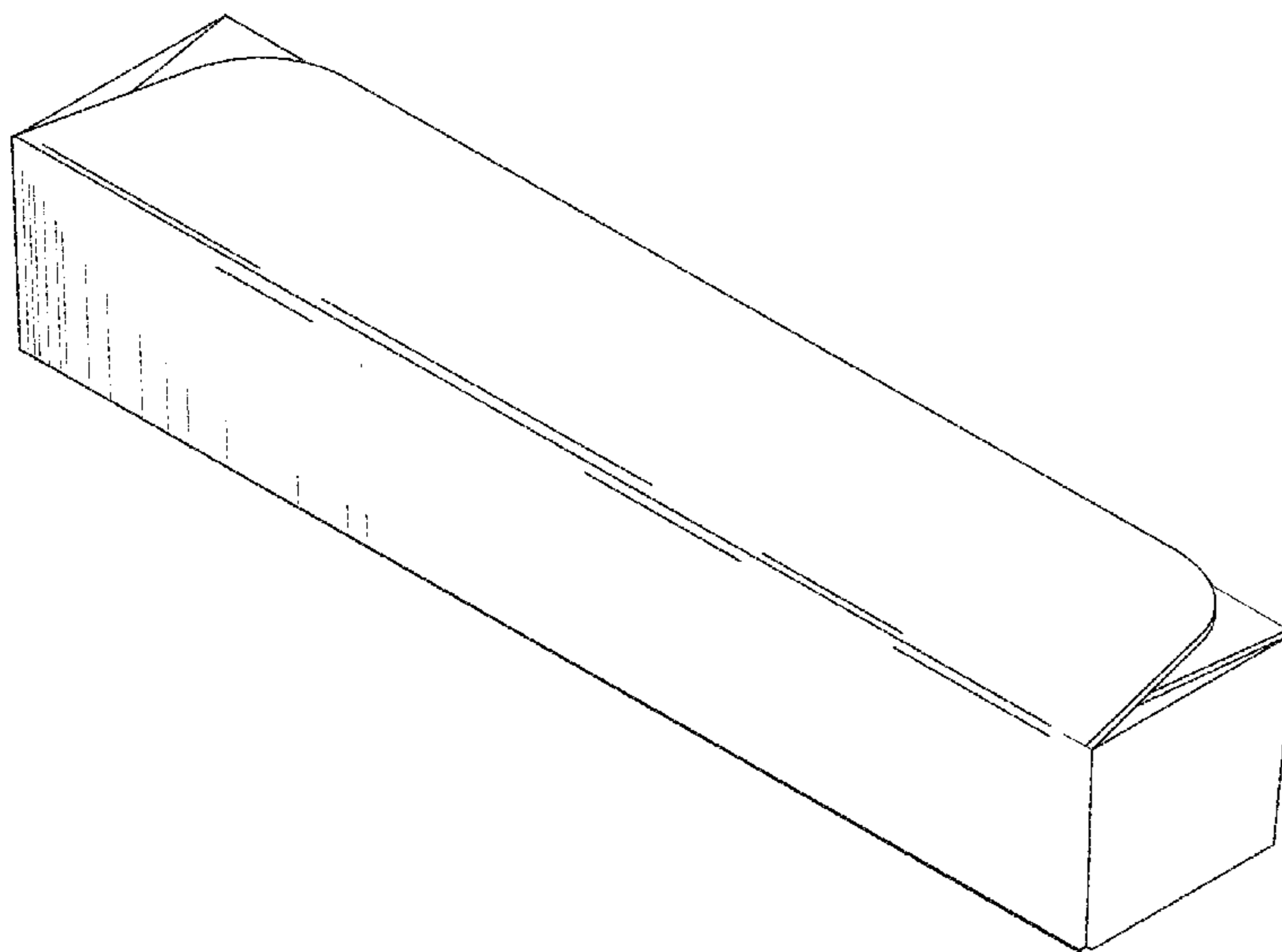
(57) **CLAIM**

The ornamental design for a carton and blank for forming same, as shown and described.

DESCRIPTION

FIG. 1 is a perspective view of the carton and blank for forming the same showing my new design, in an assembled configuration;
FIG. 2 is a plan of the carton blank shown separately for ease of illustration;
FIG. 3 is a side elevation illustrating one end of the assembled carton;
FIG. 4 is a side elevation of an opposite end of the assembled carton with respect to the view in FIG. 4;
FIG. 5 is a rear elevation of the assembled carton;
FIG. 6 is a plan view of the assembled carton;
FIG. 7 is a front elevation of the assembled carton; and,
FIG. 8 is a bottom view of the assembled carton.

1 Claim, 3 Drawing Sheets



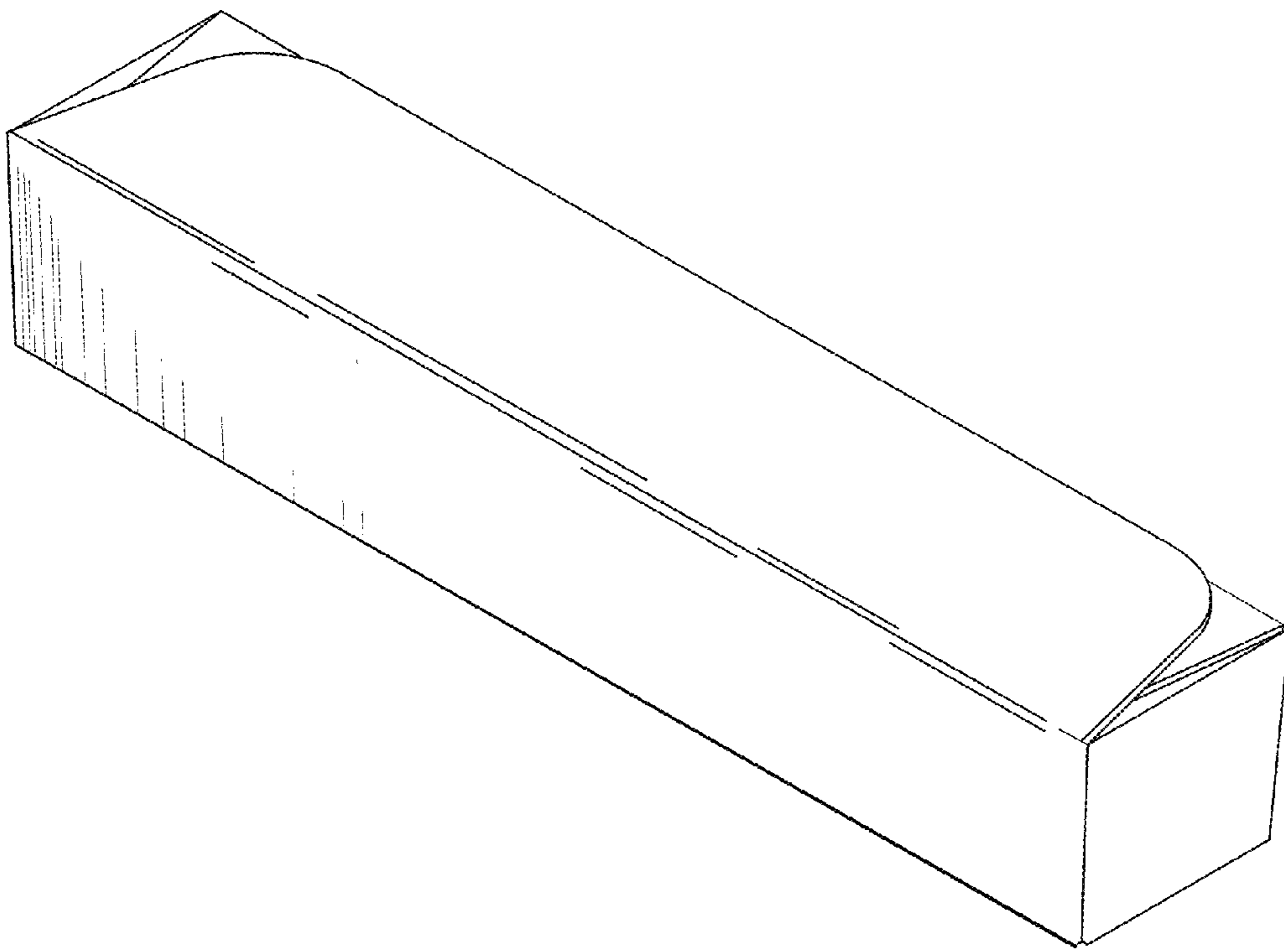


FIG. 1

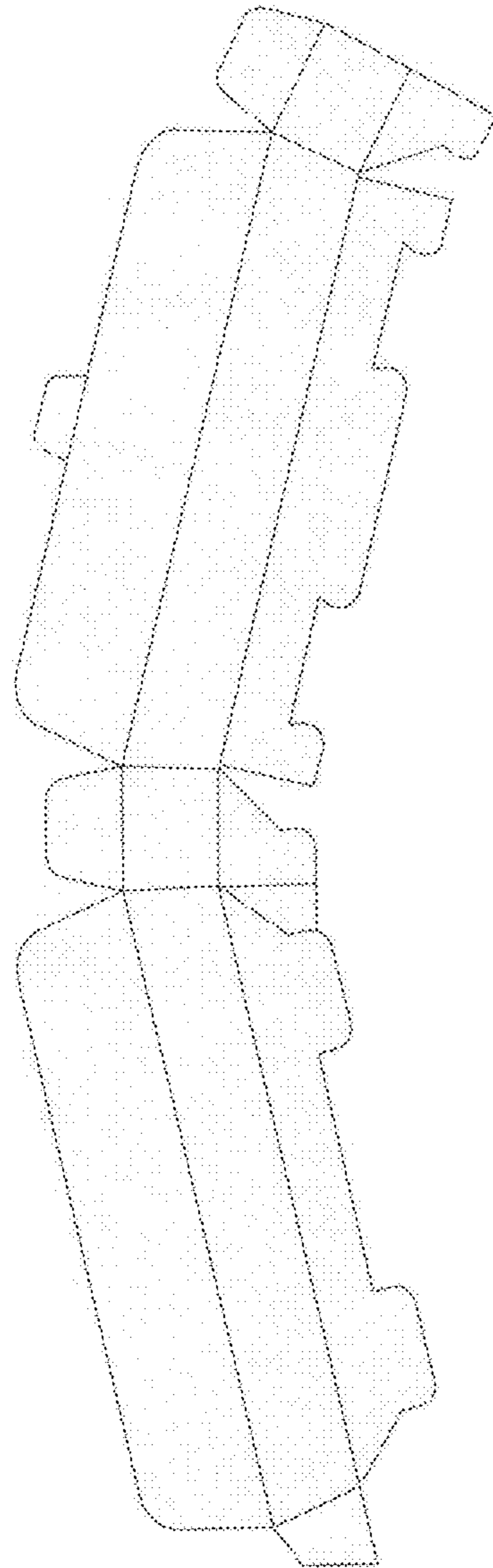


FIG. 2

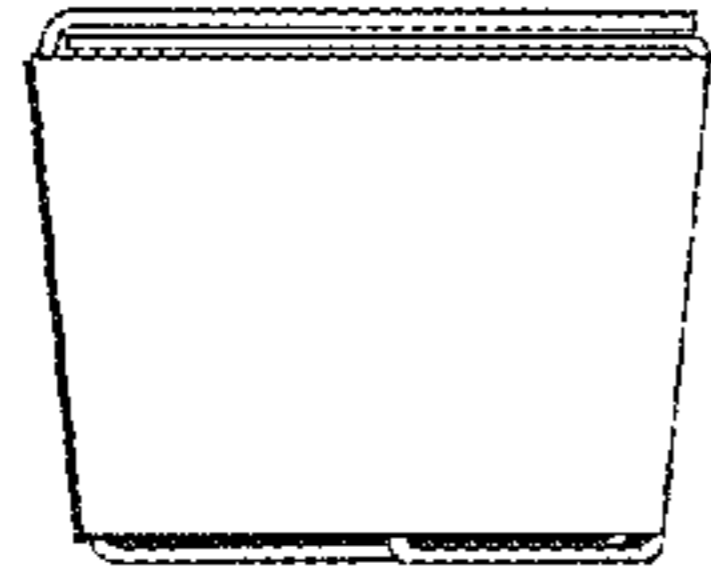


FIG. 3

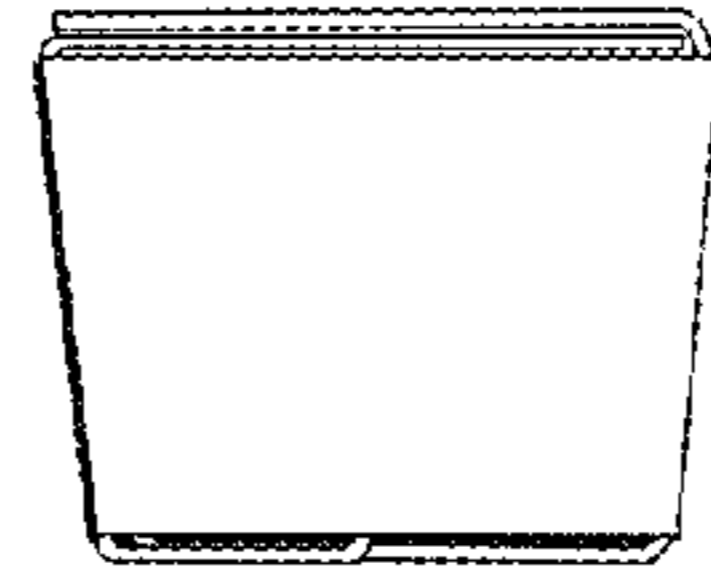


FIG. 4



FIG. 5

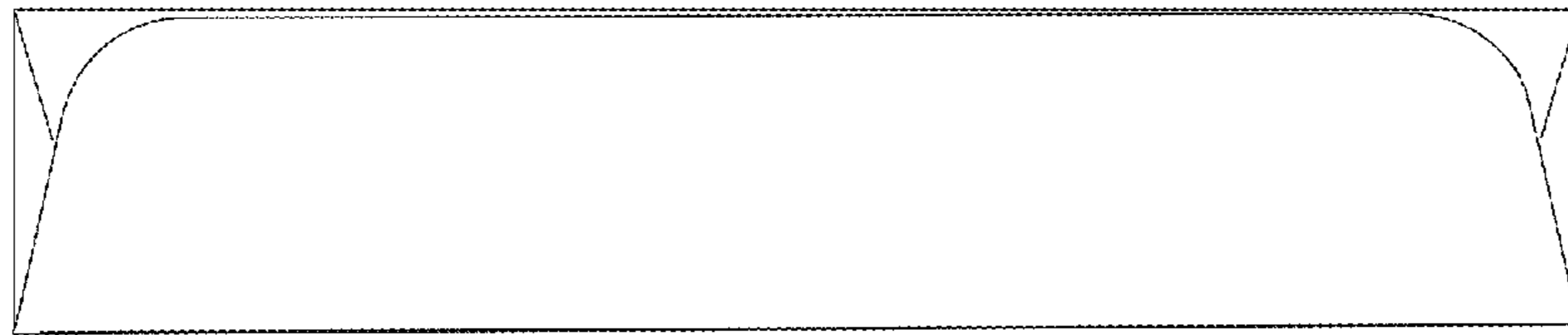


FIG. 6



FIG. 7

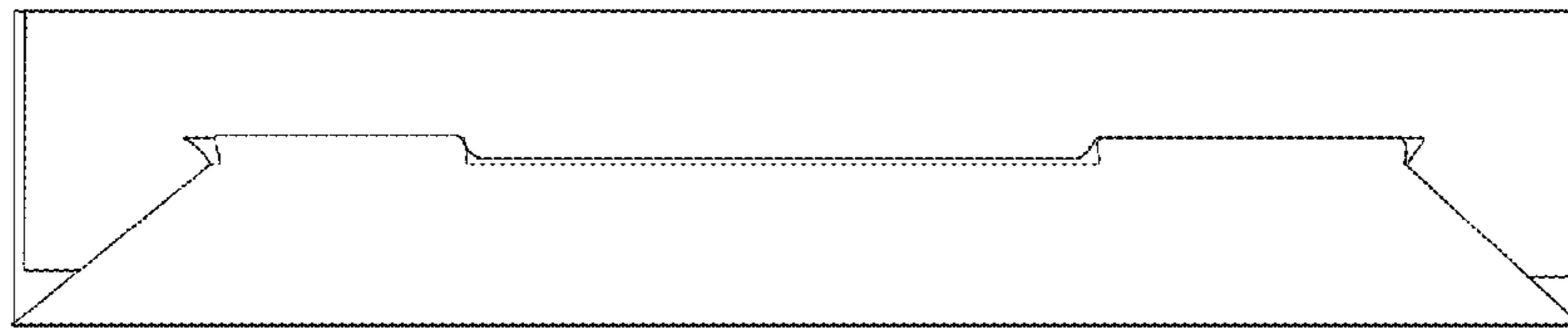


FIG. 8