



US00D708512S

(12) **United States Design Patent**
Barnett

(10) **Patent No.:** **US D708,512 S**

(45) **Date of Patent:** **** Jul. 8, 2014**

(54) **PACKAGE FOR AN ARCHERY SET**

(75) Inventor: **David A. Barnett**, Tarpon Springs, FL
(US)

(73) Assignee: **Barnett Outdoors, LLC**, Tarpon
Springs, FL (US)

(**) Term: **14 Years**

(21) Appl. No.: **29/431,083**

(22) Filed: **Sep. 4, 2012**

(51) **LOC (10) Cl.** **09-03**

(52) **U.S. Cl.**
USPC **D9/418**

(58) **Field of Classification Search**
USPC D9/346, 414-418, 424, 425, 423, 428,
D9/429, 431-436, 445, 452-454, 499, 500,
D9/504, 516, 519, 522, 529, 535, 537, 545,
D9/551, 571, 672, 675, 702, 711, 715, 721,
D9/722, 737, 748, 759, 740, 743, 745, 749,
D9/756, 718, 713, 712, 546, 430, 455, 456,
D9/457, 618, 635, 680; 206/769, 773,
206/775-778, 395, 397-398, 223, 736, 756,
206/495, 349, 760, 541, 784; 229/162.1,
229/162.3, 162.7, 107, 122, 395, 938, 902,
229/409, 125.05, 116.1, 8, 22, 132, 131.1,
229/160, 125.15, 122.27, 122.31, 122.32,
229/123, 241, 172, 174, 185.1, 120.04,
229/120.13, 120.14, 120.23, 87.06, 92.3,
229/103.3, 104, 114, 117, 117.08, 117.17,
229/120; D21/108, 352, 366, 374, 375,
D21/395, 399, 443, 455, 460, 488, 667, 797,
D21/800; D11/142; D7/538

See application file for complete search history.

(56) **References Cited**

U.S. PATENT DOCUMENTS

D321,653 S * 11/1991 Elgner D9/434
D326,613 S * 6/1992 Babcock et al. D9/455
D356,950 S * 4/1995 Apps et al. D9/456
D381,902 S * 8/1997 Chapman et al. D9/433

(Continued)

OTHER PUBLICATIONS

“Barnett Tomcat Youth Bow Pkg” reference dated Mar. 6, 2014 found
on the internet at <http://www.sportsmansguide.com/net/cb/barnett-tomcat-youth-bow-pkg.aspx?a=1511243>.*

(Continued)

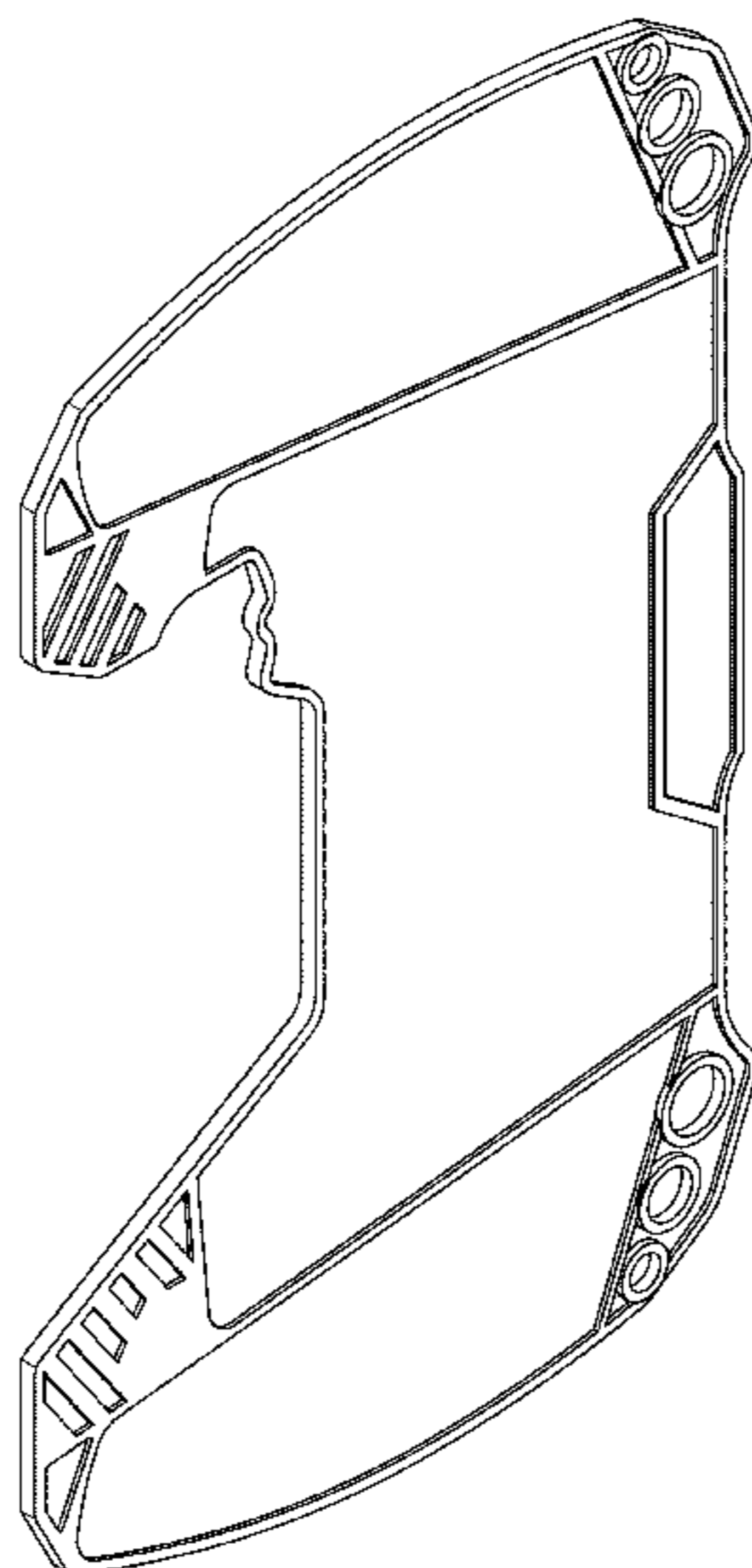
Primary Examiner — Ian Simmons
Assistant Examiner — Rhea Shields
(74) *Attorney, Agent, or Firm* — Jones Walker LLP

(57) **CLAIM**
The ornamental design for a package for an archery set, as
shown and described.

DESCRIPTION

FIG. 1 is a top and left perspective view of the package for an
archery set showing my design.
FIG. 2 is a top plan view of the package for an archery set seen
in FIG. 1.
FIG. 3 is a left view thereof;
FIG. 4 is a right view thereof;
FIG. 5 is a back elevation view thereof seen in FIG. 1.
FIG. 6 is a first end elevation view thereof seen in FIG. 1.
FIG. 7 is a second end elevation view thereof seen in FIG. 1;
and,
FIG. 8 is a bottom right and back perspective view of the
package for an archery set as seen in FIG. 1 with a compound
bow.
In the drawings, the broken lines in FIG. 8 depict environ-
mental subject matter only and form no part of the claimed
design.

1 Claim, 4 Drawing Sheets



(56)

References Cited

U.S. PATENT DOCUMENTS

D399,231 S * 10/1998 Rydelek et al. D16/219
D442,085 S * 5/2001 Bozlee D9/434
D449,992 S * 11/2001 Blackburn D9/457
D477,782 S * 7/2003 Throgmorton D9/456
D494,864 S * 8/2004 Postulka D9/433
D548,594 S * 8/2007 Van Handel et al. D9/434
D559,103 S * 1/2008 Van Handel et al. D9/434

D579,766 S 11/2008 Barnett
D598,756 S * 8/2009 Robichaud et al. D9/456
D694,353 S * 11/2013 Barnett D22/107

OTHER PUBLICATIONS

“Barnett Vortex Compound Bow Archery Set” reference dated Mar. 6, 2014 found on the internet at <http://www.wonderlandmodels.com/products/barnett-vortex-compound-bow/>.*

* cited by examiner

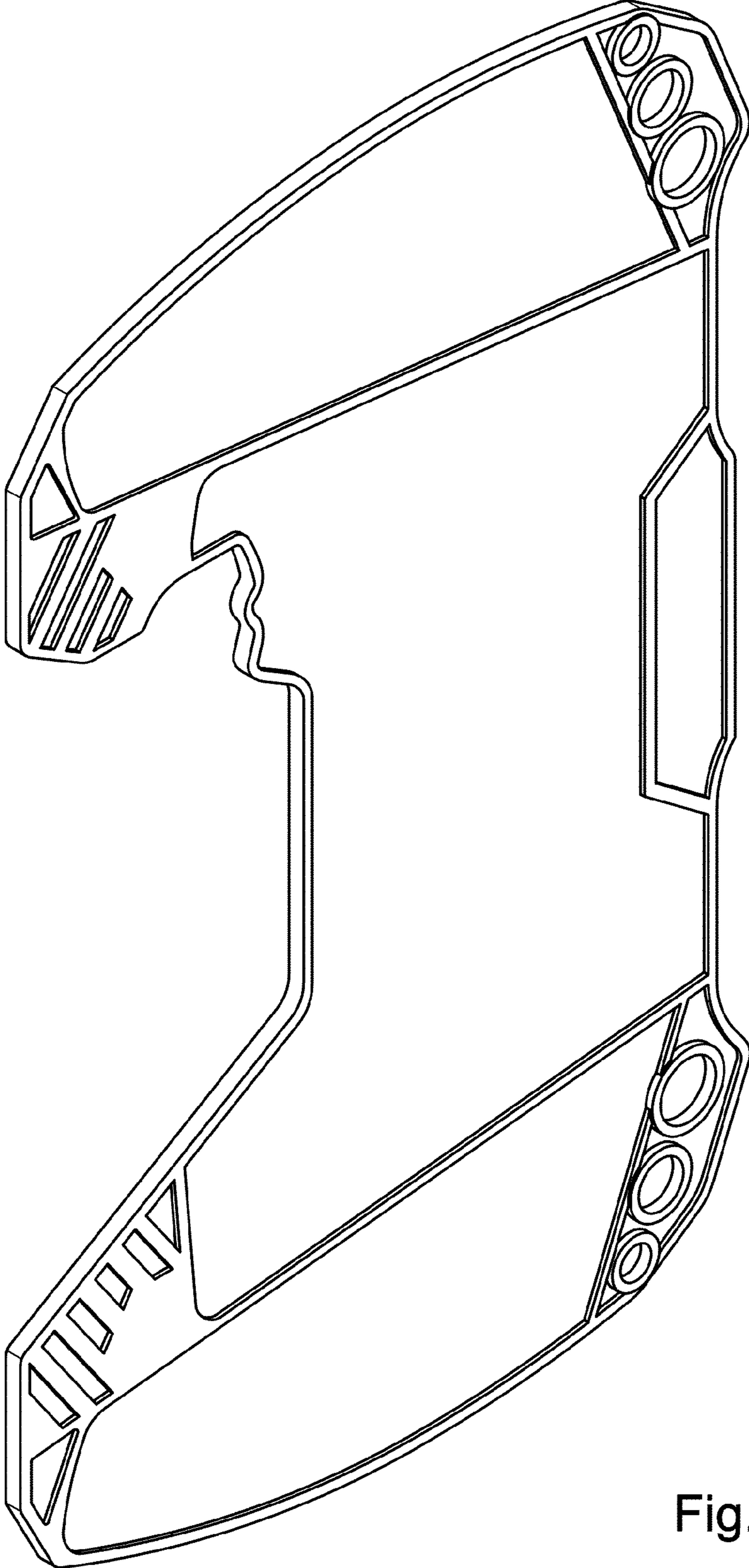


Fig. 1

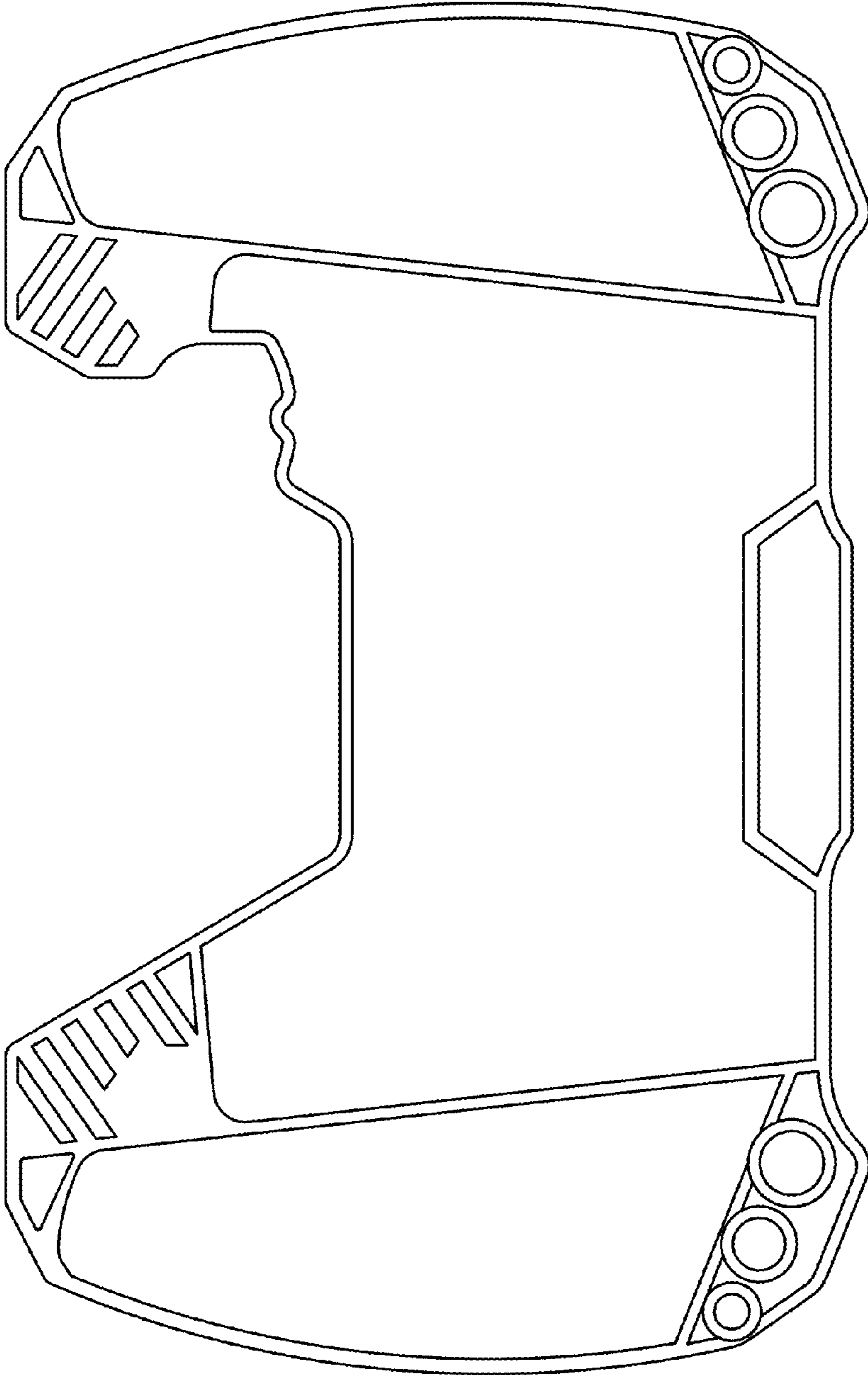


Fig. 2



Fig. 3

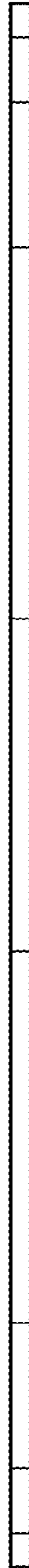


Fig. 4

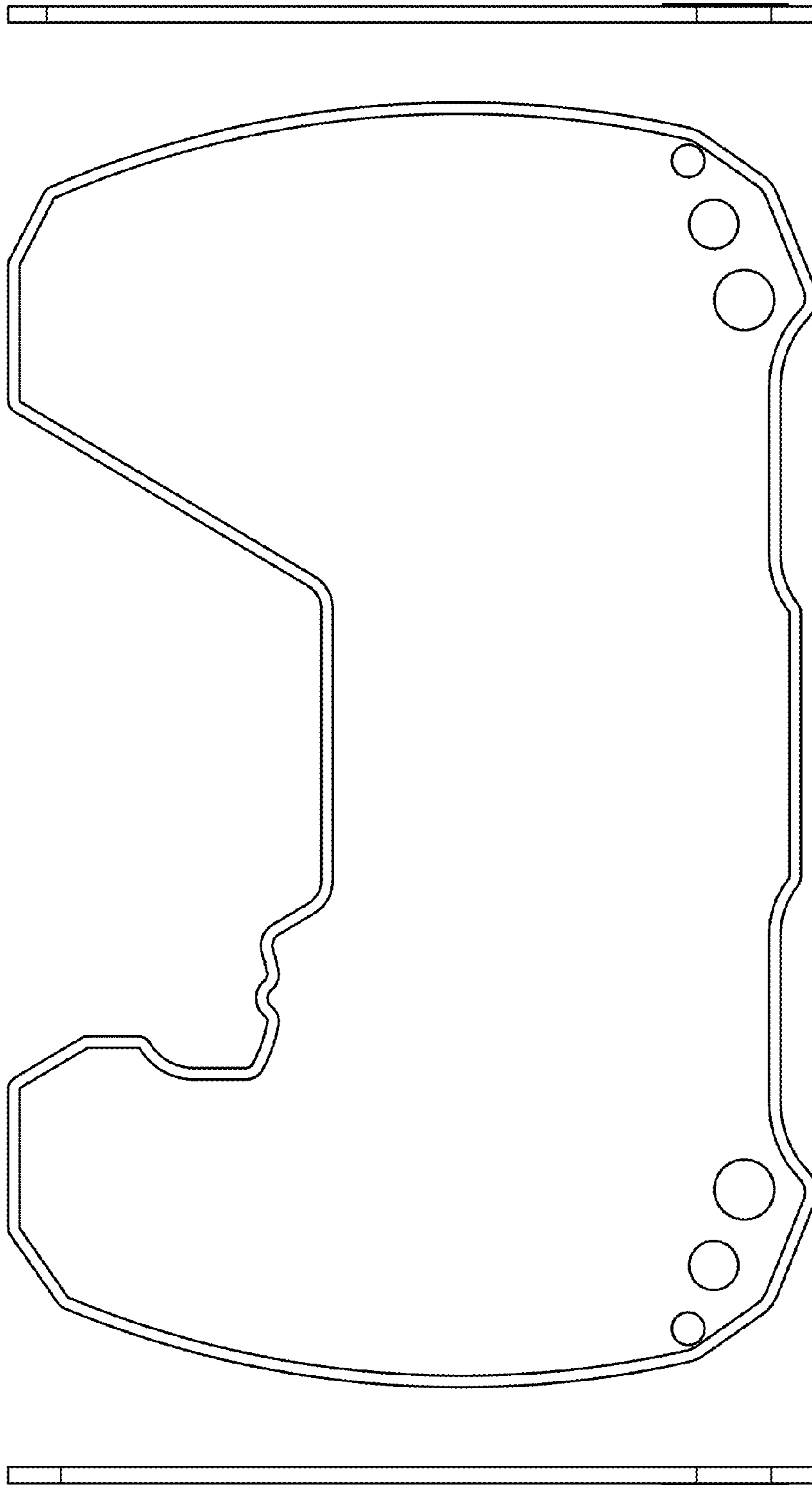


Fig. 7

Fig. 5

Fig. 6

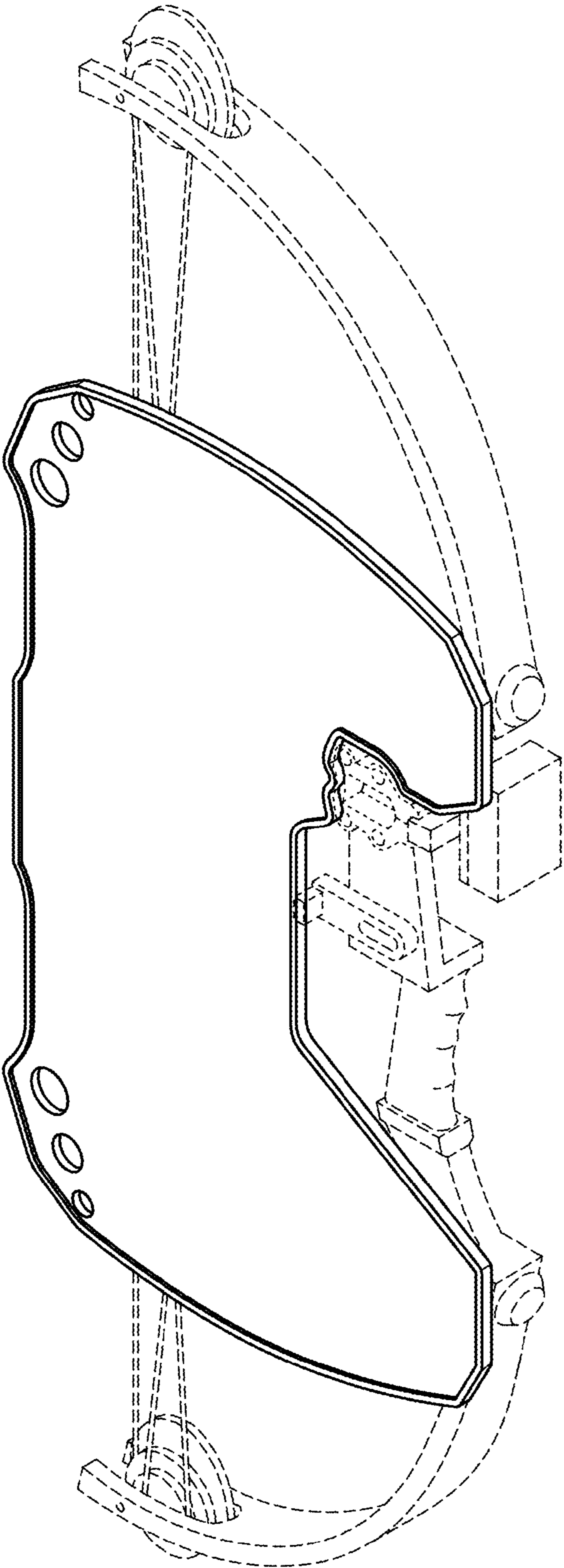


Fig. 8