



US00D708509S

(12) **United States Design Patent**
Lin

(10) **Patent No.:** **US D708,509 S**
(45) **Date of Patent:** **** Jul. 8, 2014**

- (54) **THREADS OF A SCREW**
- (71) Applicant: **Kwantex Research Inc.**, Tainan (TW)
- (72) Inventor: **Chao Wei Lin**, Tainan (TW)
- (73) Assignee: **Kwantex Research Inc.**, Tainan (TW)
- (**) Term: **14 Years**
- (21) Appl. No.: **29/443,922**
- (22) Filed: **Jan. 24, 2013**
- (51) **LOC (10) Cl.** **08-08**
- (52) **U.S. Cl.**
USPC **D8/387**
- (58) **Field of Classification Search**
USPC D8/387; 411/378–379, 393–394, 411,
411/402–405, 178, 184, 188, 412, 481,
411/378.1
See application file for complete search history.

- D581,776 S * 12/2008 Yin-Feng D8/387
- D637,071 S * 5/2011 Gaudron et al. D8/387
- D637,896 S * 5/2011 Dotsey D8/387
- D651,507 S * 1/2012 Dotsey D8/387
- D662,808 S * 7/2012 Vandenberg D8/387
- D676,312 S * 2/2013 Lin D8/387
- D678,756 S * 3/2013 Tsai D8/387

* cited by examiner

Primary Examiner — Sheryl Lane

(74) *Attorney, Agent, or Firm* — Rosenberg, Klein & Lee

(57) **CLAIM**

The ornamental design for threads of a screw, as shown and described.

DESCRIPTION

FIG. 1 is a perspective view of threads of a screw showing my new design;
 FIG. 2 is a front view thereof;
 FIG. 3 is a rear view thereof;
 FIG. 4 is a left side view thereof;
 FIG. 5 is a right side view thereof;
 FIG. 6 is a bottom plan view thereof; and,
 FIG. 7 is a top plan view thereof.

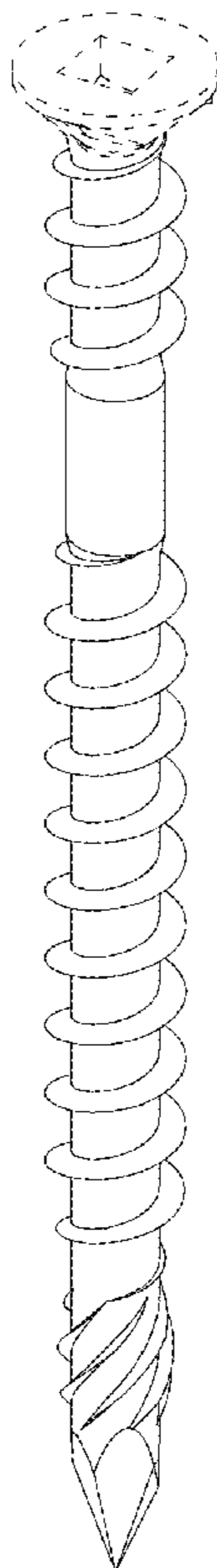
The broken lines are included for the purpose of showing portions of the article and form no part of the claimed design.

1 Claim, 4 Drawing Sheets

(56) **References Cited**

U.S. PATENT DOCUMENTS

- 6,022,177 A * 2/2000 Hofer 411/412
- 6,739,815 B2 * 5/2004 Takasaki 411/387.1
- D557,130 S * 12/2007 Kashikura et al. D8/387
- D567,644 S * 4/2008 Liu D8/387



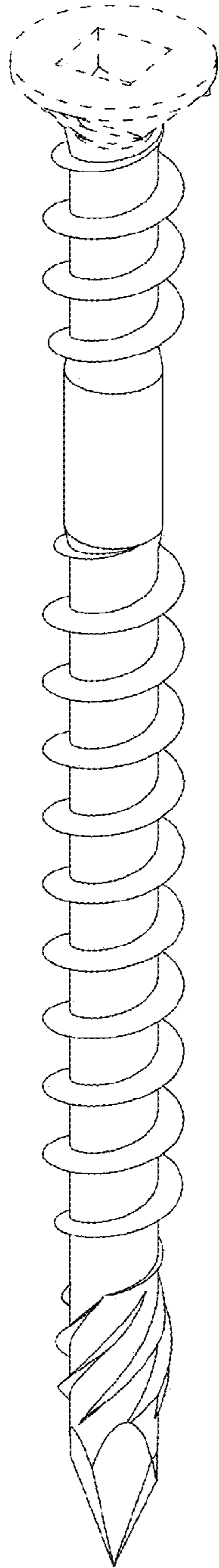


FIG. 1

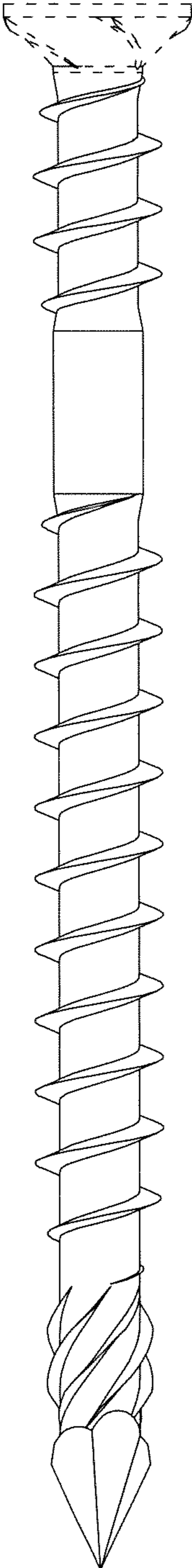


FIG. 2

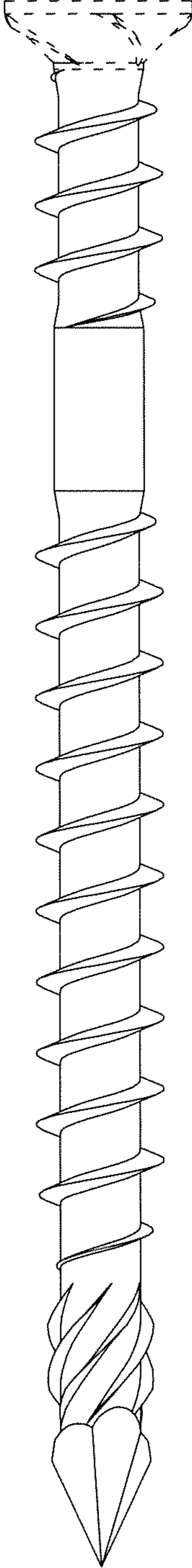


FIG. 3

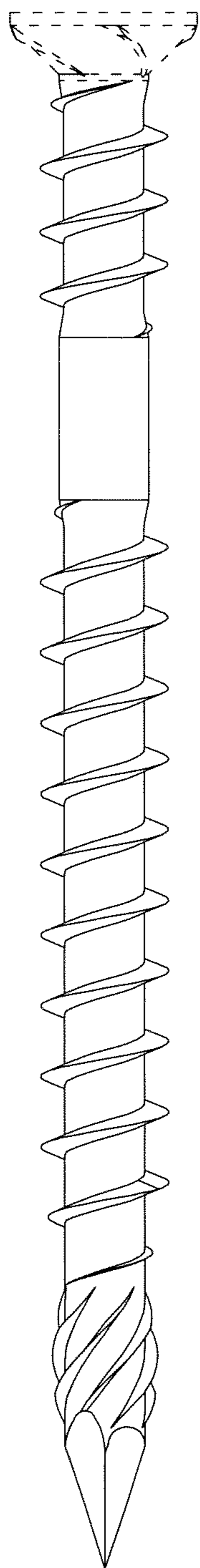


FIG. 4

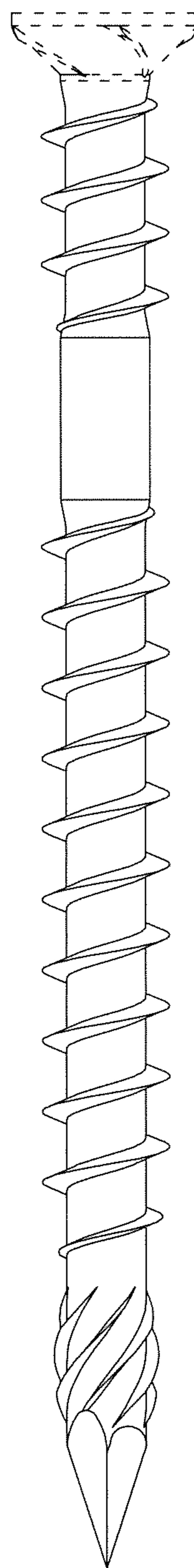


FIG. 5

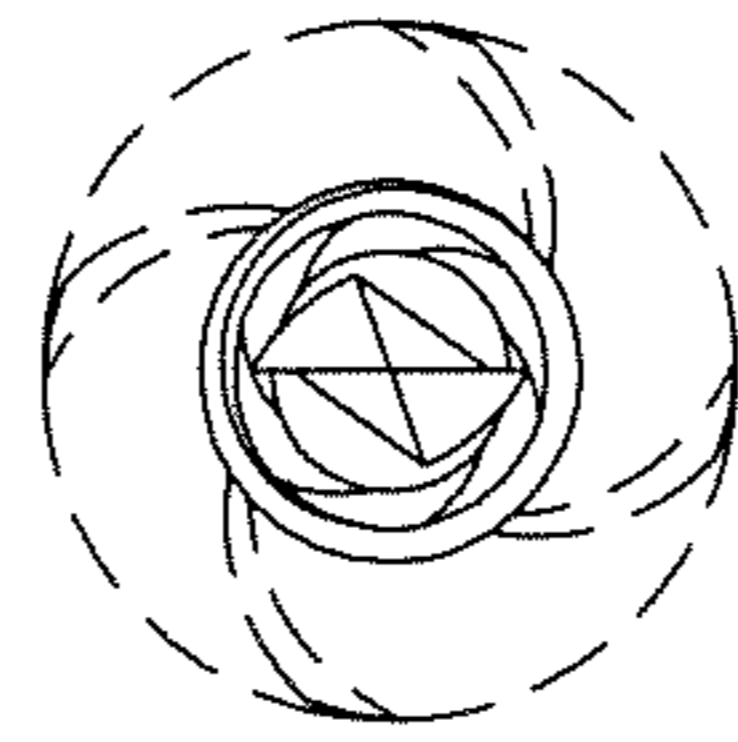


FIG. 6

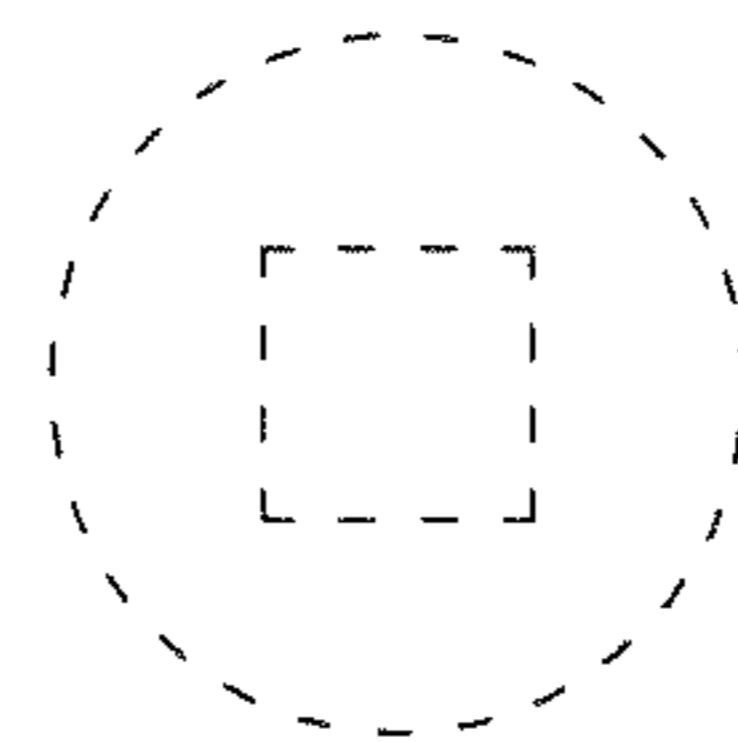


FIG. 7