



US00D708508S

(12) **United States Design Patent**
Goodman et al.

(10) **Patent No.:** **US D708,508 S**

(45) **Date of Patent:** **** Jul. 8, 2014**

(54) **TRIPLE HOOK**

(71) Applicant: **Spectrum Diversified Designs, Inc.**,
Streetsboro, OH (US)

(72) Inventors: **Sheldon H. Goodman**, Solon, OH (US);
Phaysouk Xayoiphonh, Akron, OH
(US)

(73) Assignee: **Spectrum Diversified Designs, Inc.**,
Streetsboro, OH (US)

(**) Term: **14 Years**

(21) Appl. No.: **29/447,201**

(22) Filed: **Mar. 1, 2013**

(51) **LOC (10) Cl.** **08-05**

(52) **U.S. Cl.**
USPC **D8/372; D8/370**

(58) **Field of Classification Search**
USPC **D8/367, 370, 372; 248/301-304**
See application file for complete search history.

(56) **References Cited**

U.S. PATENT DOCUMENTS

D387,569 S * 12/1997 Goodman et al. D6/323
D422,199 S * 4/2000 Snell D8/372

D493,094 S * 7/2004 Goodman et al. D8/372
D550,544 S * 9/2007 Snell D8/372
D581,771 S * 12/2008 Ernst et al. D8/372
D613,586 S * 4/2010 Goodman et al. D8/367
D628,053 S * 11/2010 Goodman et al. D8/372
D646,960 S * 10/2011 Goodman et al. D8/372

* cited by examiner

Primary Examiner — Holly Baynham

(74) *Attorney, Agent, or Firm* — Benesch, Freidlander,
Coplan & Aronoff, LLP

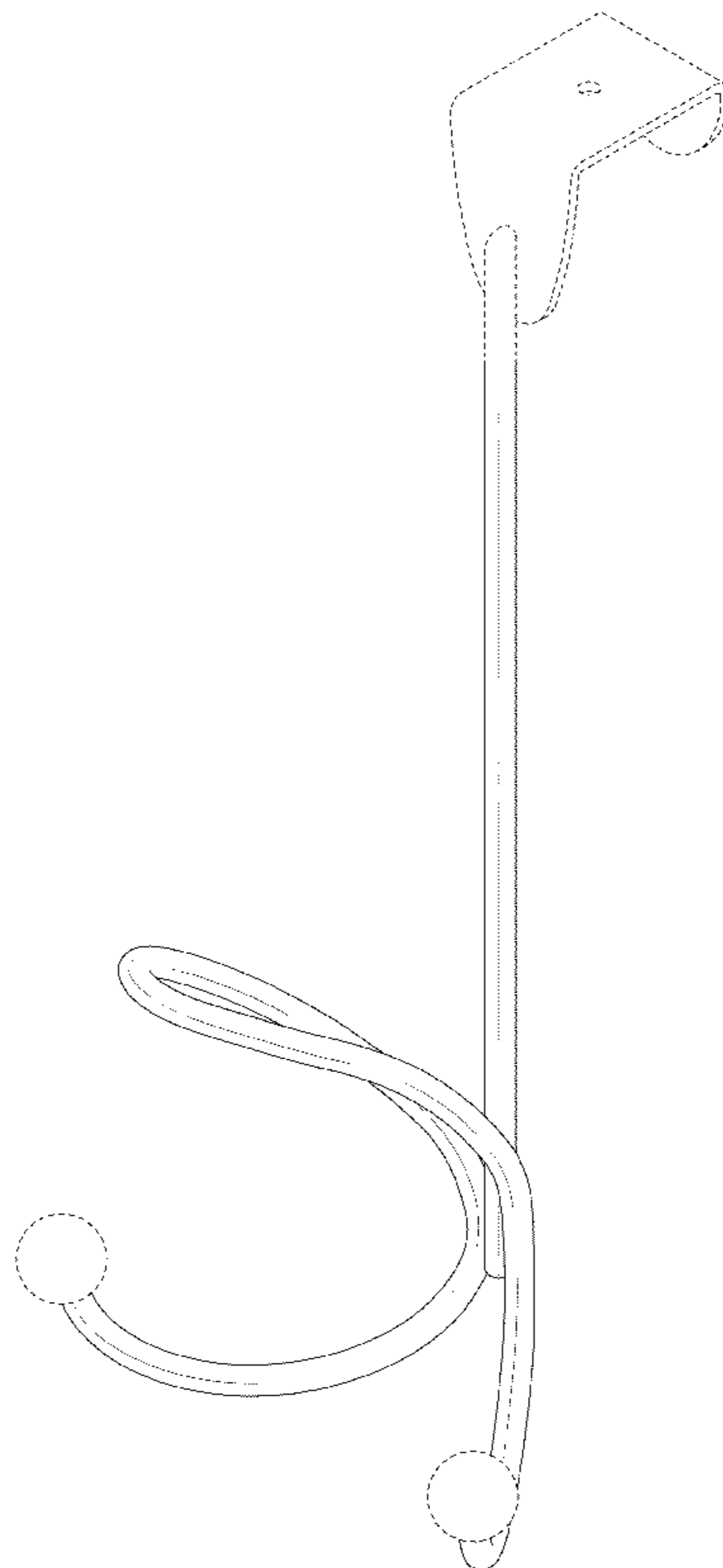
(57) **CLAIM**

What is claimed is the ornamental design for a triple hook, as shown and described.

DESCRIPTION

FIG. 1 is a perspective view of a triple hook showing a new design;
FIG. 2 is a top view of the triple hook of FIG. 1;
FIG. 3 is a front view of the triple hook of FIG. 1;
FIG. 4 is a side view of the triple hook of FIG. 1;
FIG. 5 is a rear view of the triple hook of FIG. 1; and,
FIG. 6 is a bottom view of the triple hook of FIG. 1.
The broken lines showing hook ends, bracket and extending hook member are for the purposes of illustrating environment and form no part of the claimed design.

1 Claim, 2 Drawing Sheets



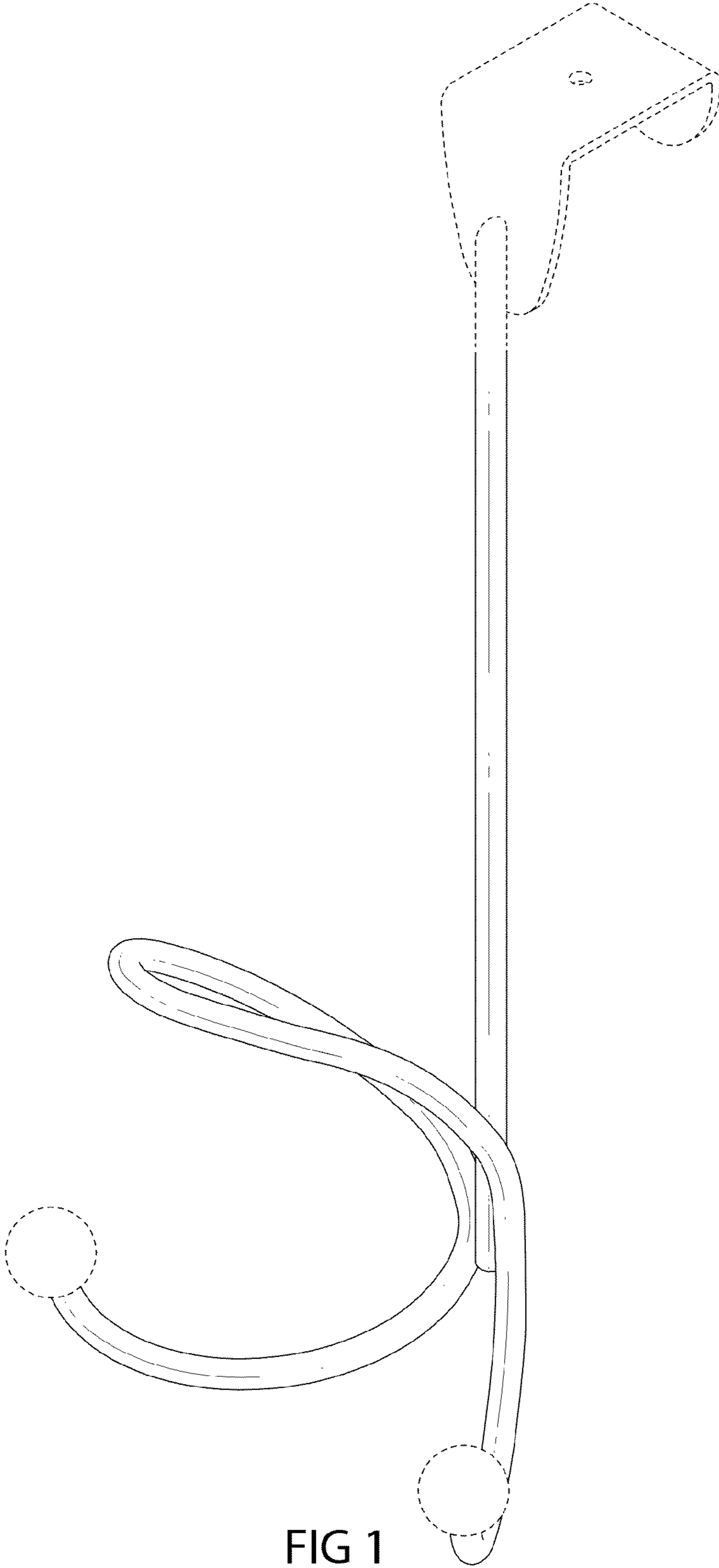


FIG 1

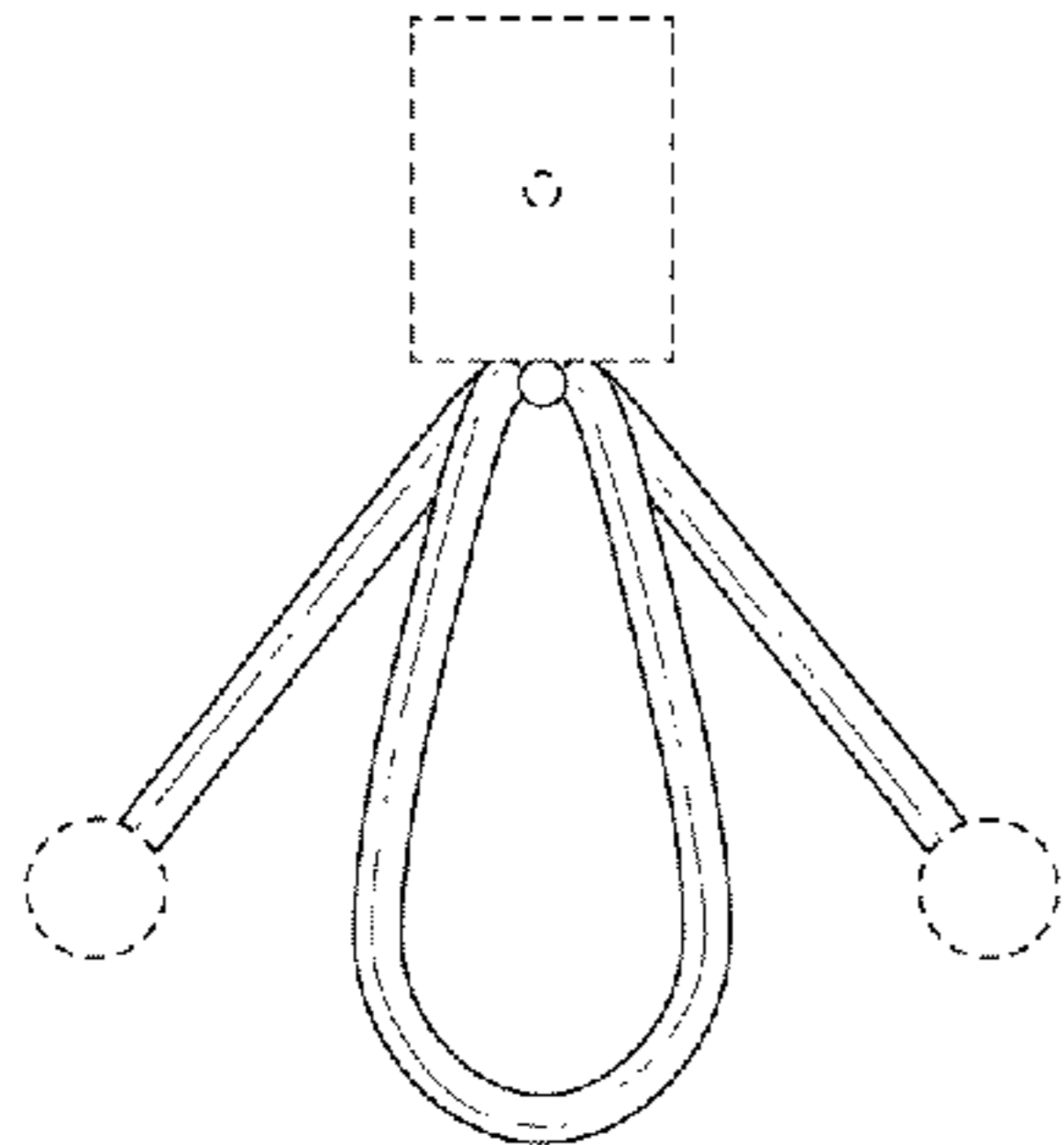


FIG 2

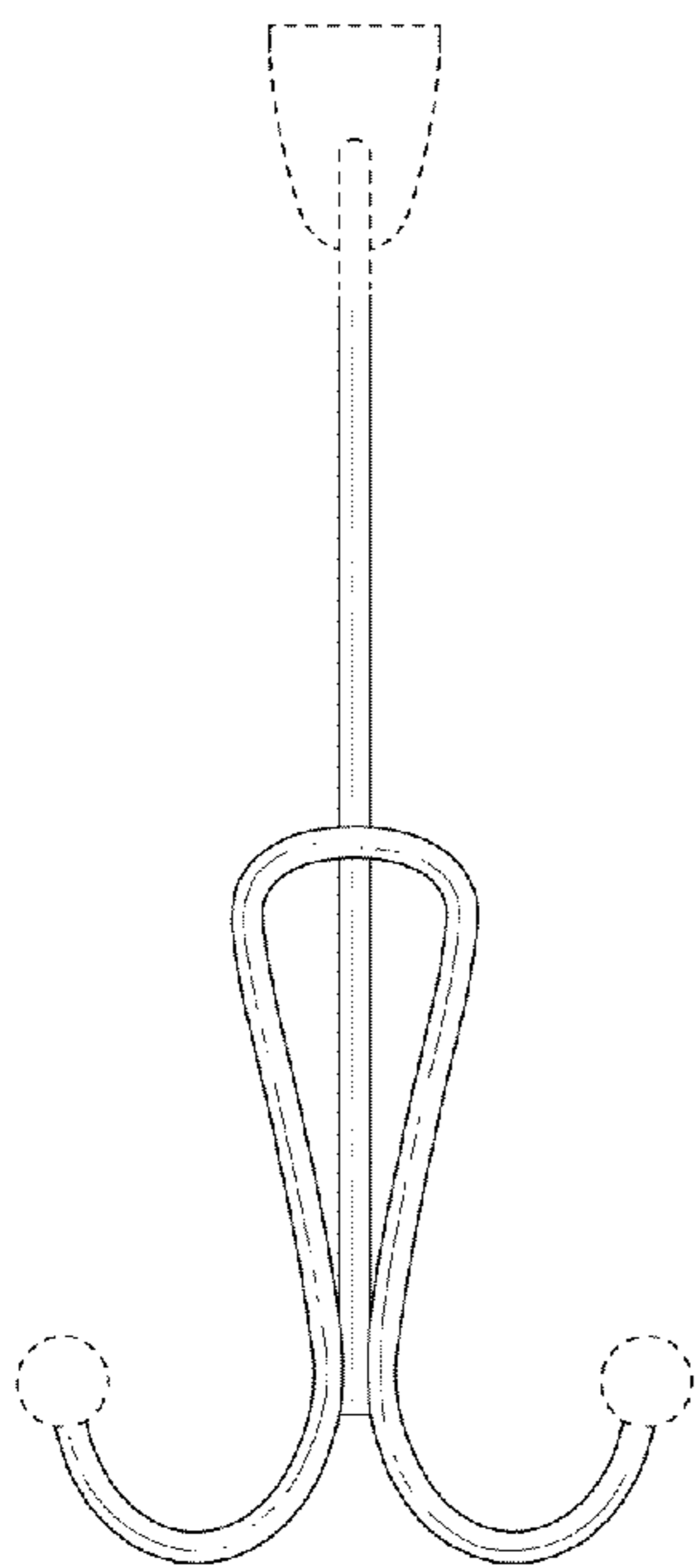


FIG 3

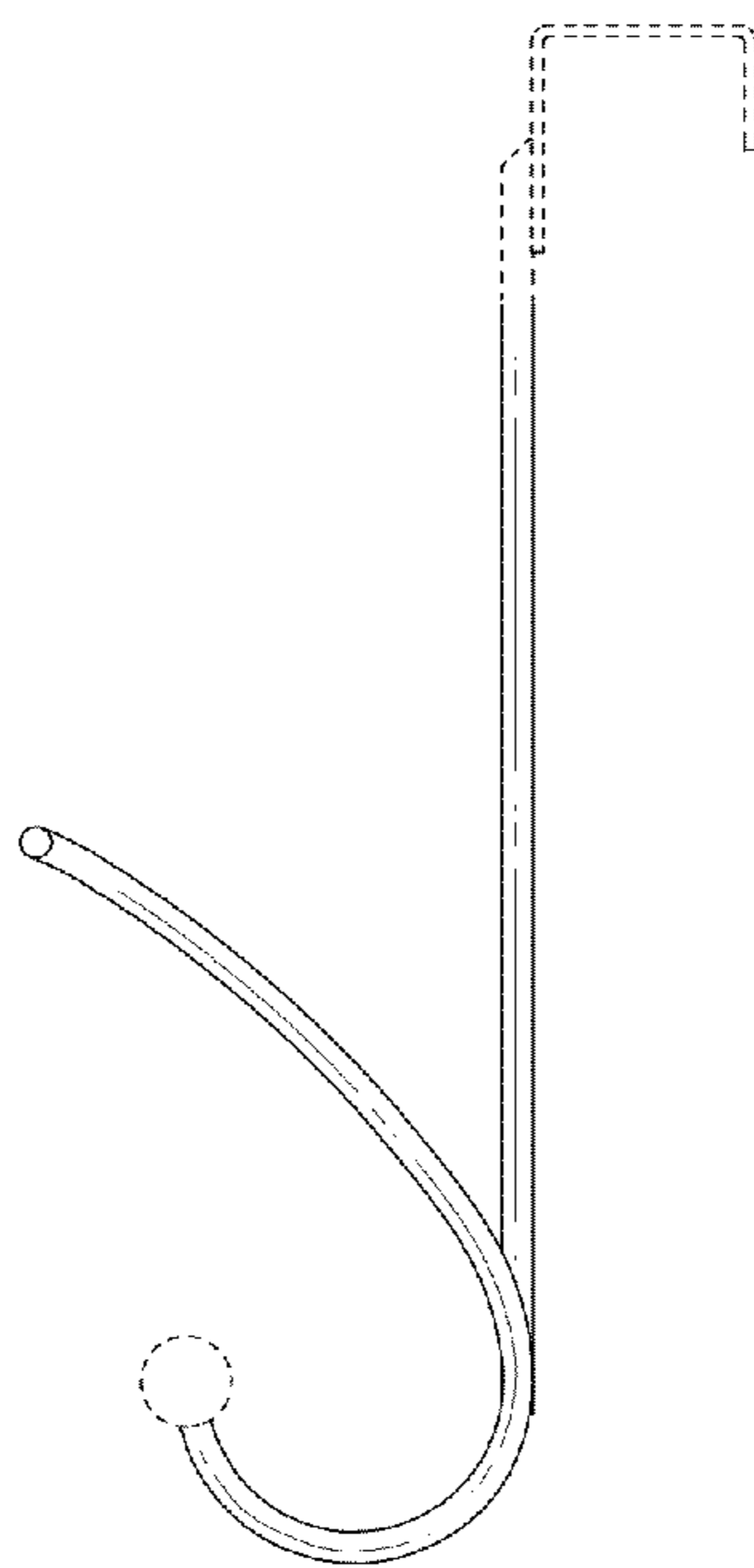


FIG 4

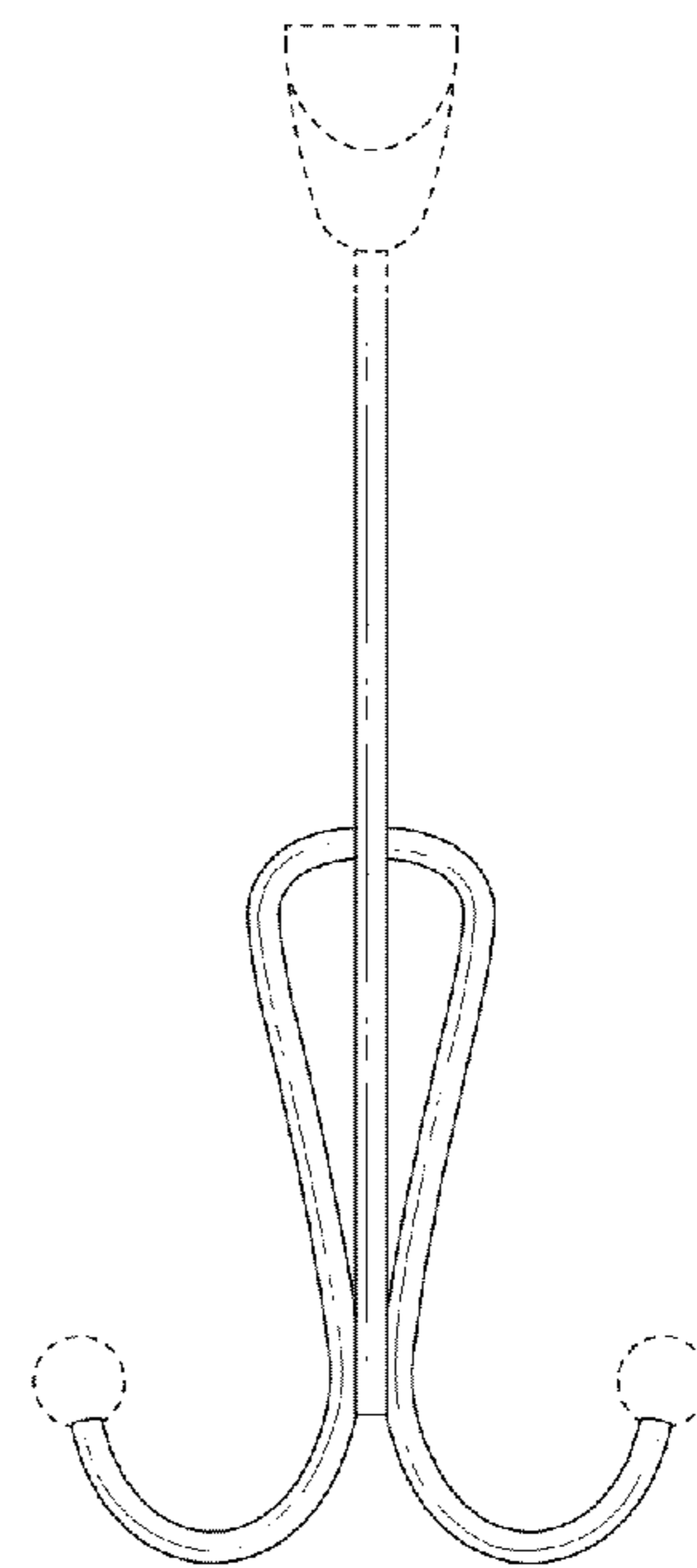


FIG 5

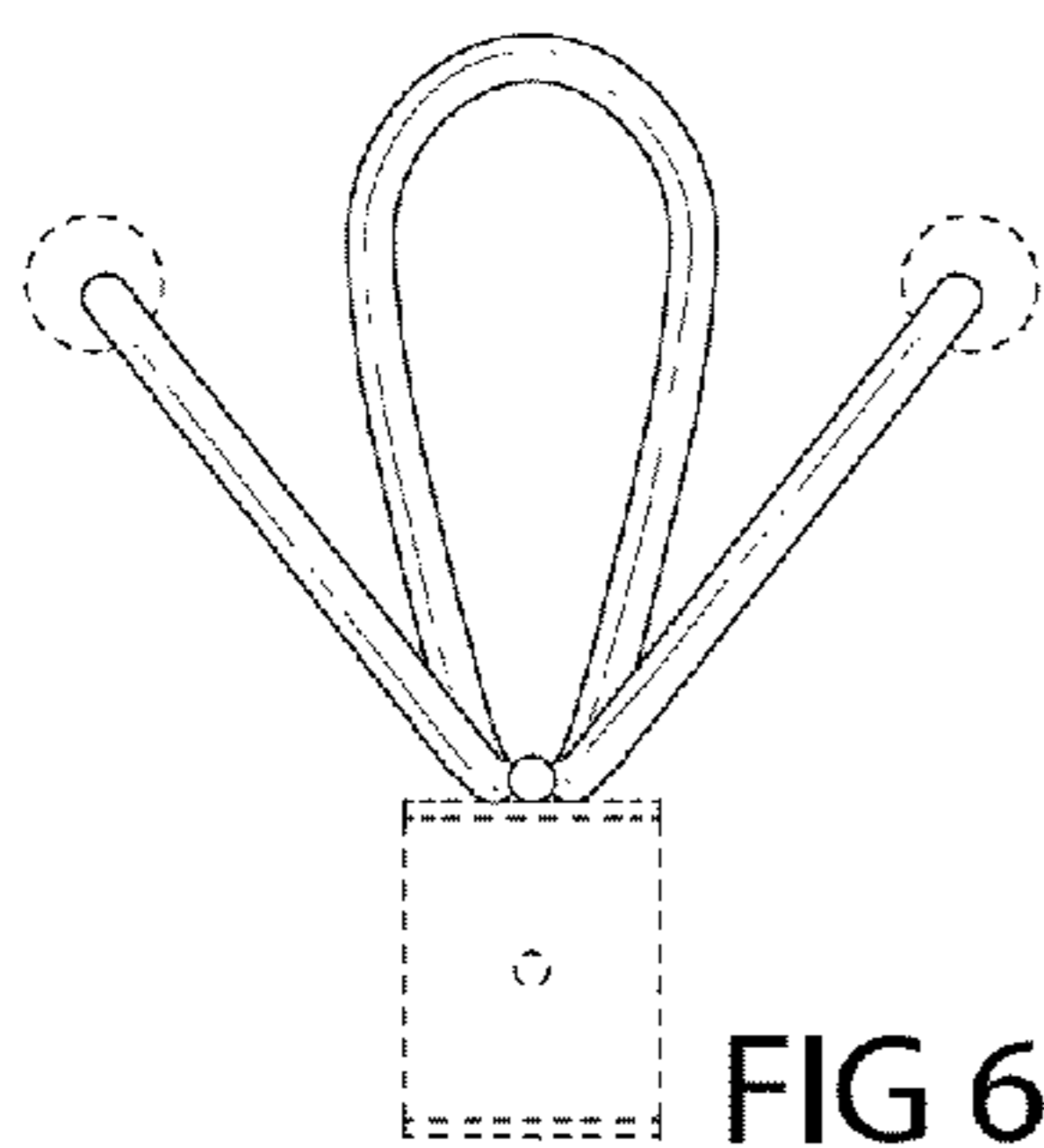


FIG 6