



US00D708507S

(12) **United States Design Patent**
Fretz

(10) **Patent No.:** **US D708,507 S**
(45) **Date of Patent:** **** Jul. 8, 2014**

(54) **SNATCH BLOCK**

(71) Applicant: **Warn Industries, Inc.**, Clackamas, OR (US)

(72) Inventor: **Darren G. Fretz**, Canby, OR (US)

(73) Assignee: **Warn Industries, Inc.**, Clackamas, OR (US)

(**) Term: **14 Years**

(21) Appl. No.: **29/447,879**

(22) Filed: **Mar. 7, 2013**

(51) **LOC (10) Cl.** **08-05**

(52) **U.S. Cl.**
USPC **D8/360**

(58) **Field of Classification Search**

CPC B66D 3/06; B66D 3/046; B66D 2700/028;
B66D 3/04; H02G 1/04; D06F 57/00; F16H
55/36

USPC D8/360, 352, 358, 367, 373, 356, 359,
D8/354; 254/391, 402, 405, 406, 409, 415;
211/119.04, 119.05; 384/417

See application file for complete search history.

(56) **References Cited**

U.S. PATENT DOCUMENTS

2,374,118 A * 4/1945 Moore, Jr. 254/406
2,474,433 A * 6/1949 McKissick 254/406

2,584,783 A * 2/1952 Magnus 254/406
2,633,329 A * 3/1953 Le Bus 254/406
2,649,282 A * 8/1953 Fate, Jr. 254/406
3,999,739 A * 12/1976 Vick et al. 254/409
4,614,332 A * 9/1986 Wilson 254/405
D306,134 S * 2/1990 Harken et al. D8/360
5,538,224 A * 7/1996 Powell et al. 254/406
D411,732 S * 6/1999 Chamberlain D8/350
D416,187 S * 11/1999 Schaeffer D8/373
D431,449 S * 10/2000 Mihailovic D8/360
6,481,695 B1 * 11/2002 Fuller 254/405
7,168,687 B2 * 1/2007 Thompson 254/415
D658,487 S * 5/2012 Chih D8/360

* cited by examiner

Primary Examiner — Deanna L Pratt

Assistant Examiner — Lilyana Bekic

(74) *Attorney, Agent, or Firm* — Alleman Hall McCoy
Russell & Tuttle LLP

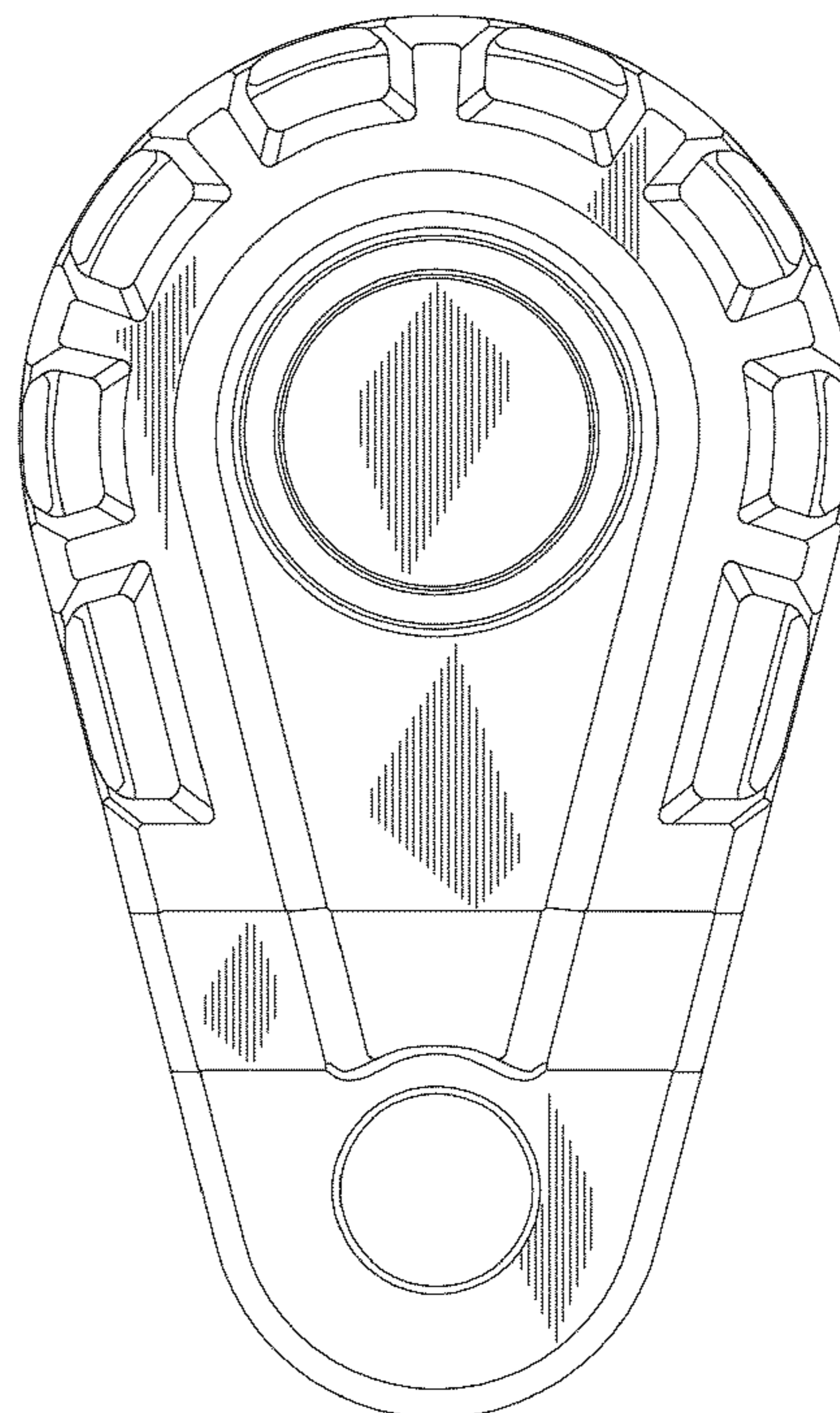
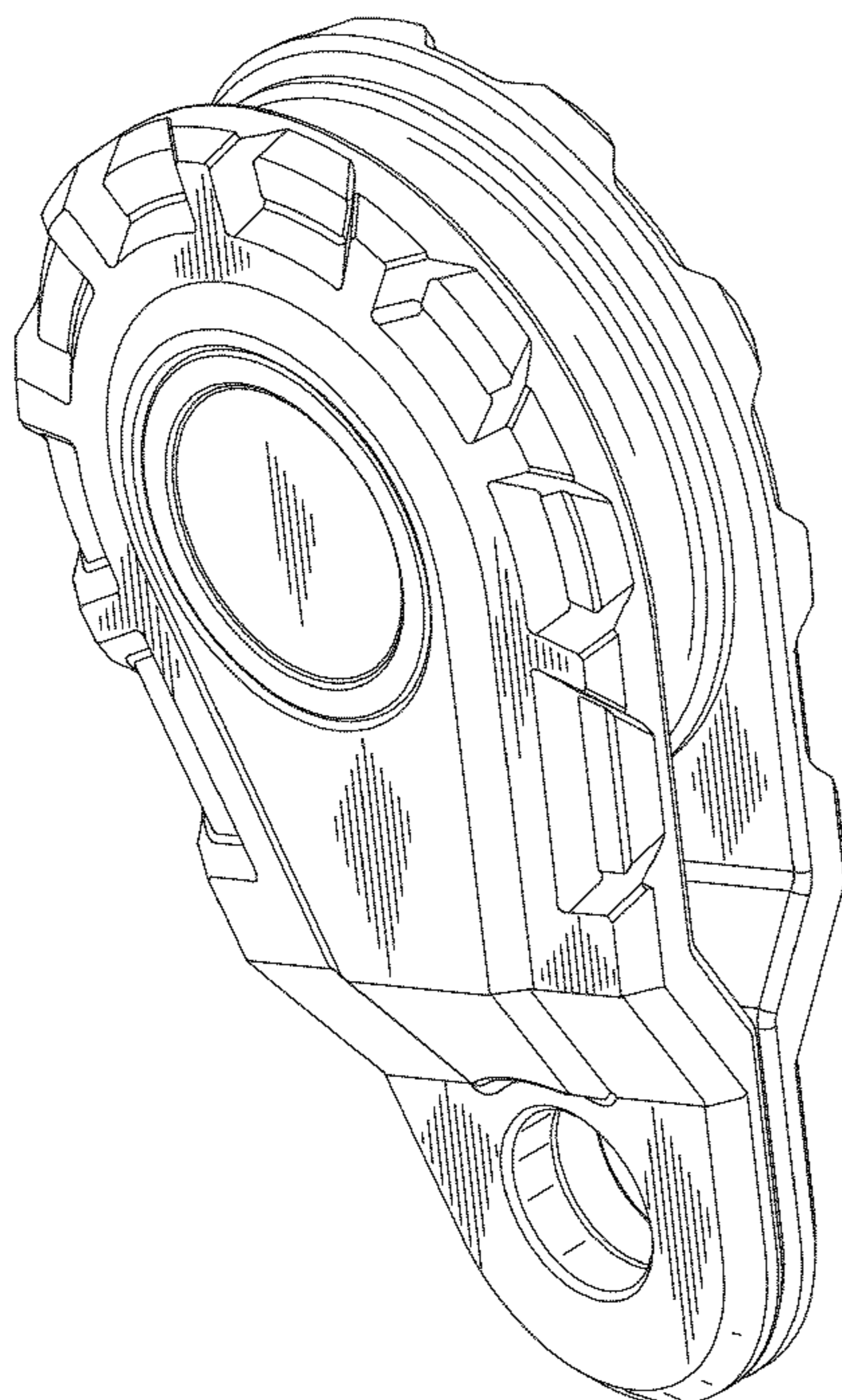
(57) **CLAIM**

The ornamental design for a snatch block, as shown and described.

DESCRIPTION

FIG. 1 is a front perspective view of a snatch block;
FIG. 2 is a front plan view thereof (the back view is identical to the front view);
FIG. 3 is a right side view thereof (the left side view is identical to the right side view);
FIG. 4 is a bottom view thereof; and,
FIG. 5 is a top view thereof.

1 Claim, 4 Drawing Sheets



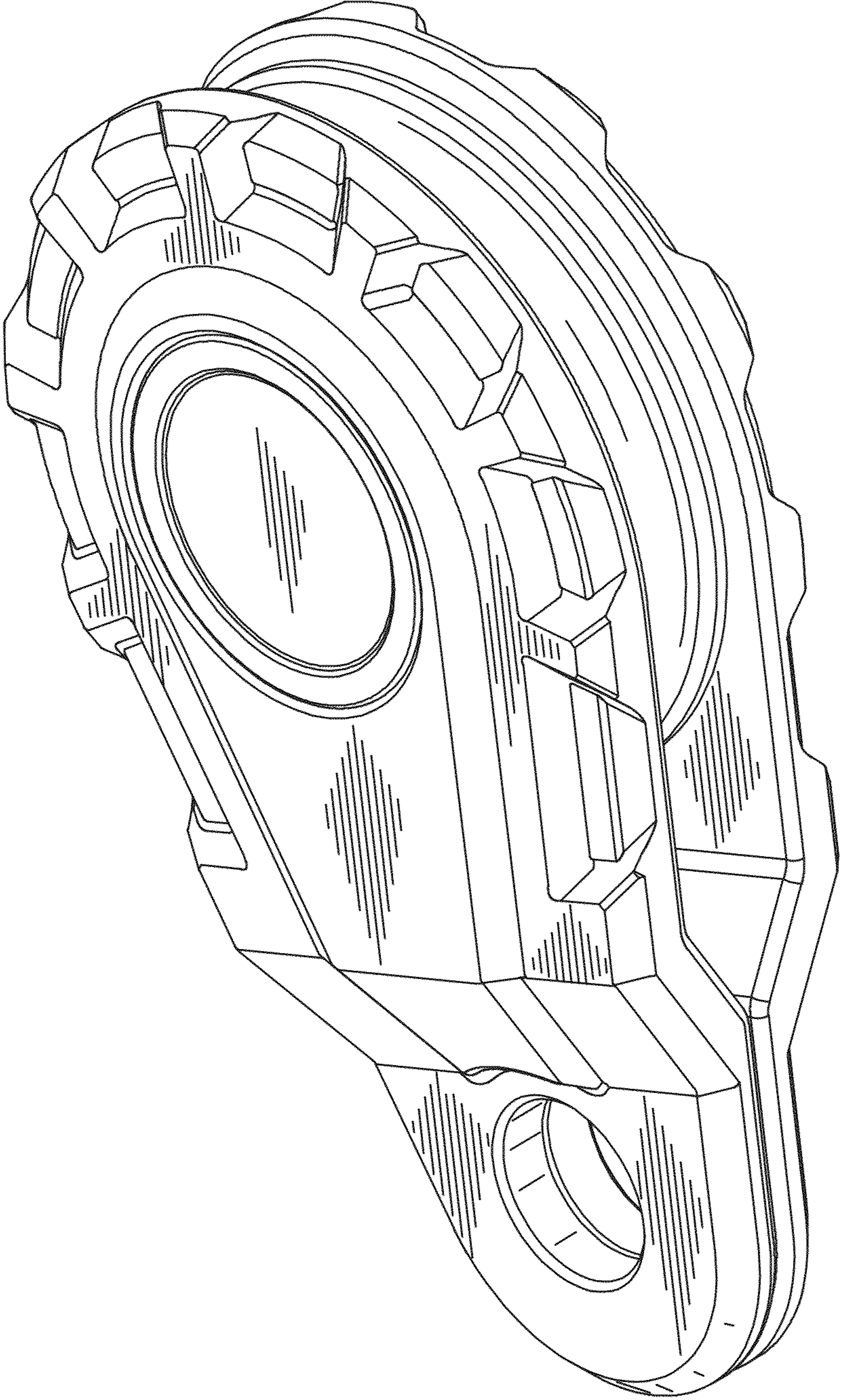


FIG 1

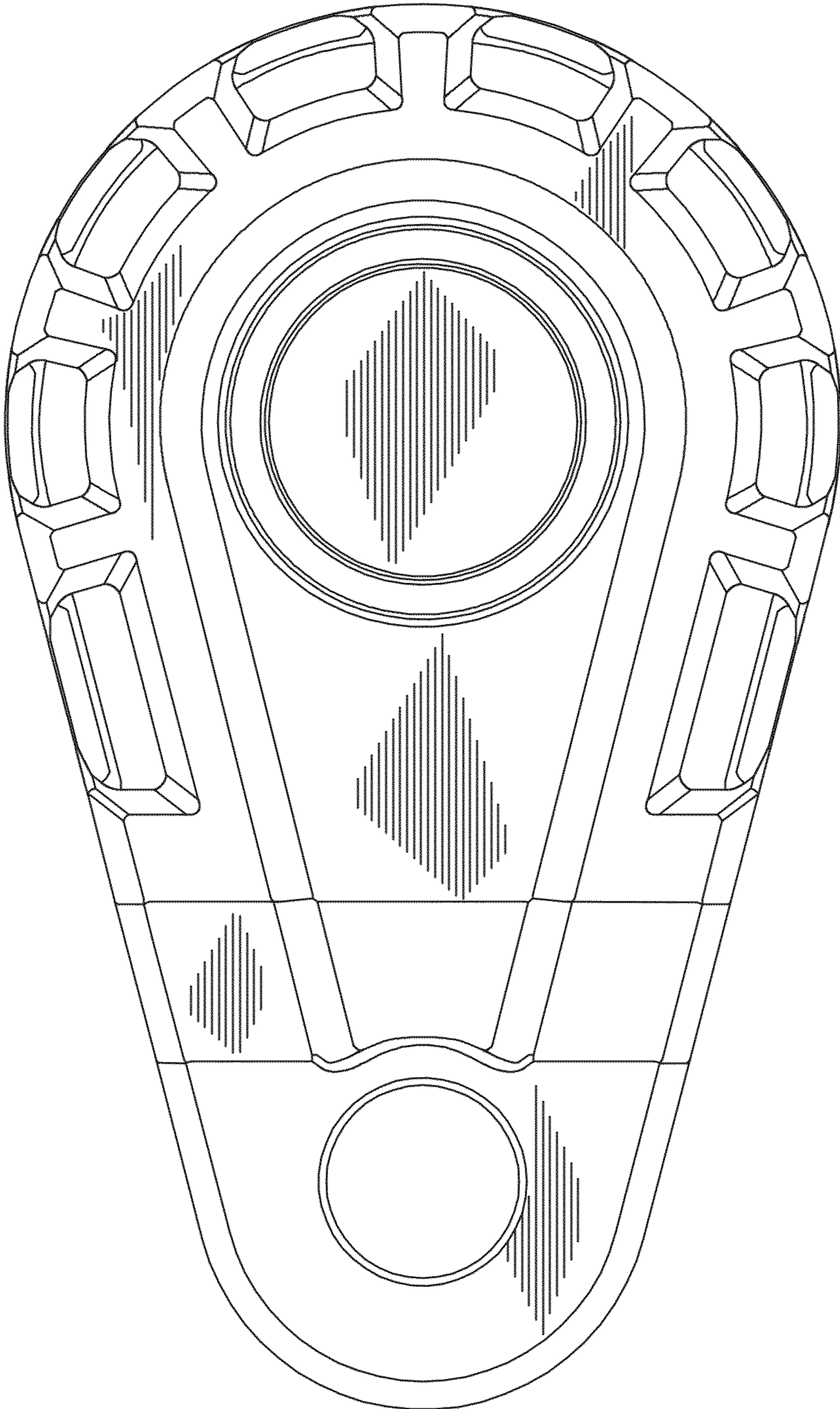


FIG 2

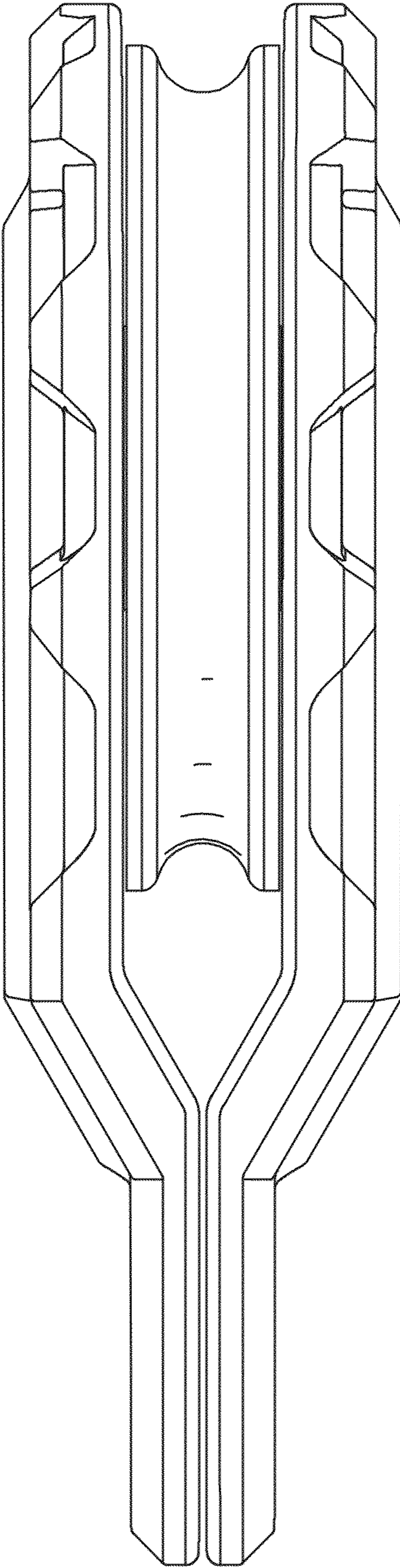


FIG 3

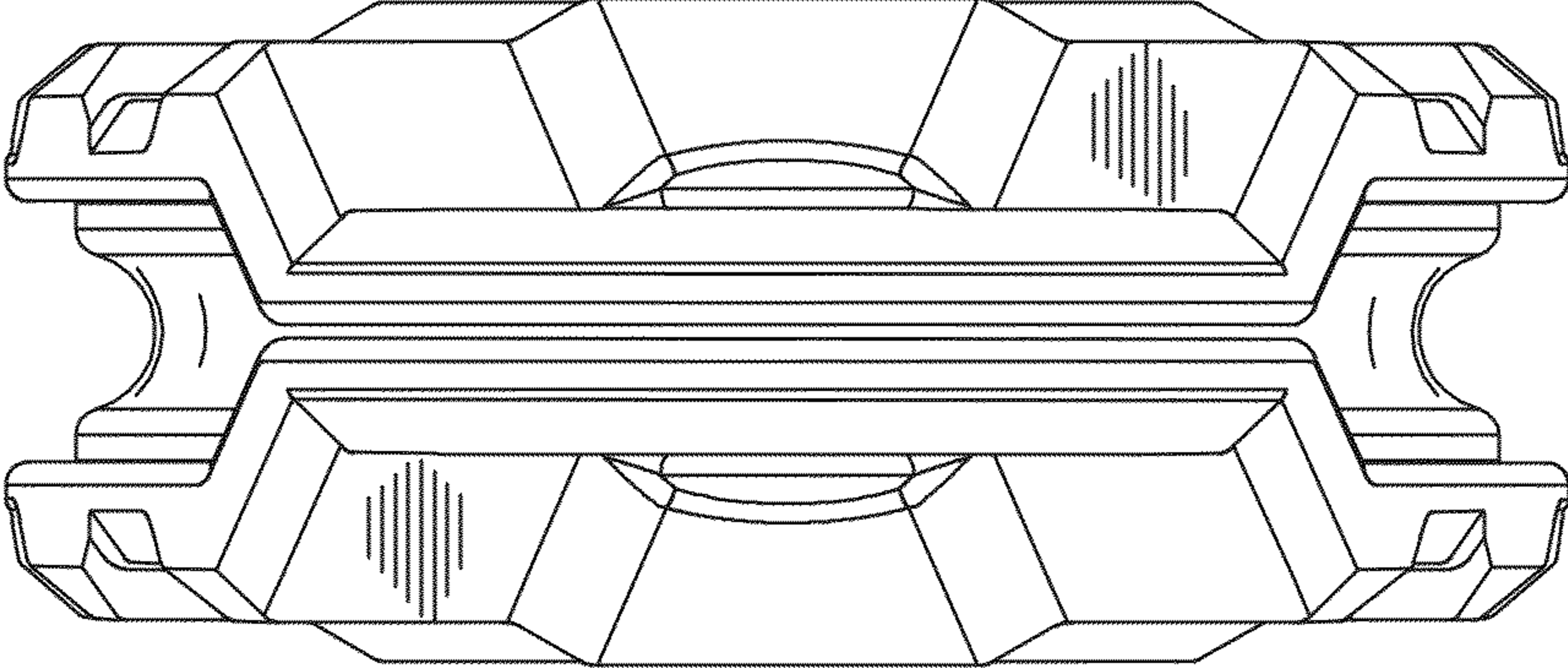


FIG 4

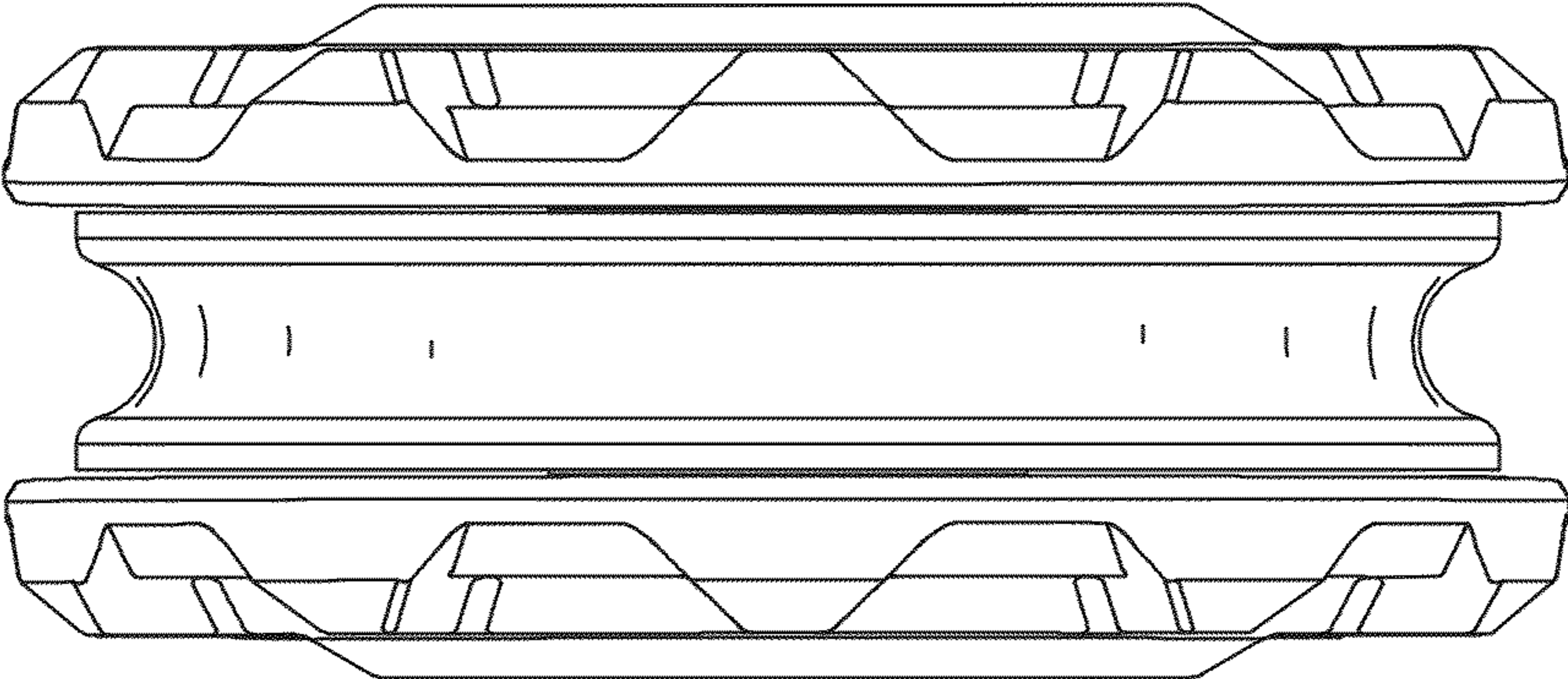


FIG 5