



US00D708506S

(12) **United States Design Patent**  
**Wu**

(10) **Patent No.:** **US D708,506 S**  
(45) **Date of Patent:** **\*\* Jul. 8, 2014**

(54) **HANGING BRACKET**

(71) Applicant: **Chia-Lun Wu**, Tainan (TW)

(72) Inventor: **Chia-Lun Wu**, Tainan (TW)

(\*\*) Term: **14 Years**

(21) Appl. No.: **29/473,086**

(22) Filed: **Nov. 19, 2013**

(51) **LOC (10) Cl.** ..... **08-05**

(52) **U.S. Cl.**  
USPC ..... **D8/356**; D8/381

(58) **Field of Classification Search**  
USPC ..... D8/356, 396, 367, 354, 349, 373, 381;  
136/246; D6/323; 248/301-304, 339,  
248/205.3; D16/250; D12/317; 114/218  
See application file for complete search history.

(56) **References Cited**

**U.S. PATENT DOCUMENTS**

D357,297 S *	4/1995	Newton	.....	D21/808
D413,786 S *	9/1999	Graham	.....	D8/356
D432,978 S *	10/2000	Peterson	.....	D12/317
D437,907 S *	2/2001	Stuart et al.	.....	D21/778
D455,112 S *	4/2002	McBride	.....	D12/317
D469,004 S *	1/2003	Winig et al.	.....	D8/381

D501,382 S *	2/2005	Macauley et al.	.....	D8/18
D559,664 S *	1/2008	Austin et al.	.....	D8/381
D580,258 S *	11/2008	Fernandez	.....	D8/381
7,783,519 B2 *	8/2010	Alba et al.	.....	705/26.1
D637,047 S *	5/2011	Goodman et al.	.....	D7/637
D684,845 S *	6/2013	Wood	.....	D8/356
D686,035 S *	7/2013	Betzler	.....	D7/367

\* cited by examiner

*Primary Examiner* — Cynthia Underwood

(74) *Attorney, Agent, or Firm* — Alan Kamrath; Kamrath IP Lawfirm, P.A.

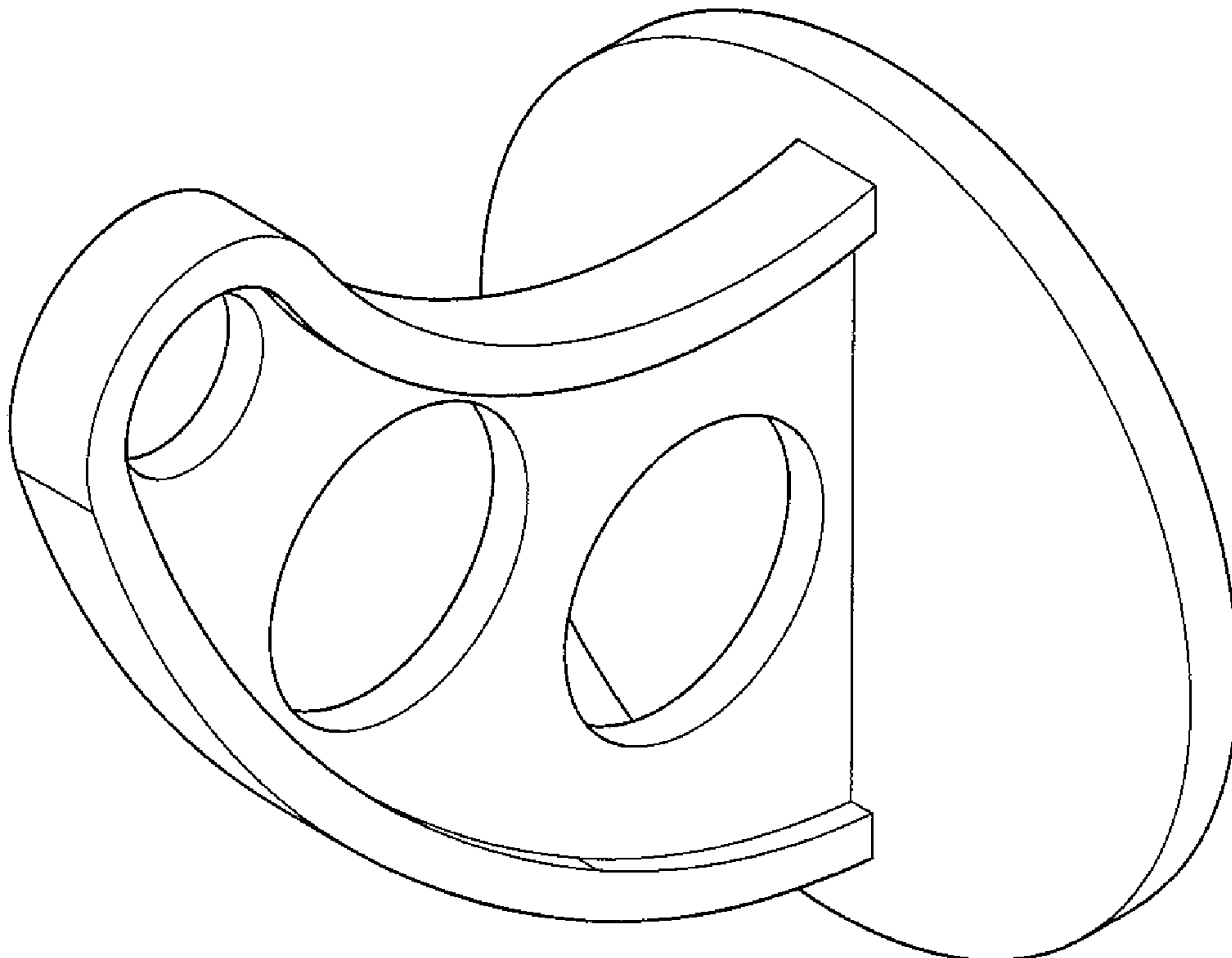
(57) **CLAIM**

The ornamental design for a hanging bracket, as shown and described.

**DESCRIPTION**

FIG. 1 is a perspective view of a hanging bracket showing my design;  
FIG. 2 is a front elevational view thereof;  
FIG. 3 is a rear elevational view thereof;  
FIG. 4 is a left elevational view thereof;  
FIG. 5 is a right elevational view thereof;  
FIG. 6 is a top plan view thereof; and,  
FIG. 7 is a bottom plan view thereof.

**1 Claim, 4 Drawing Sheets**



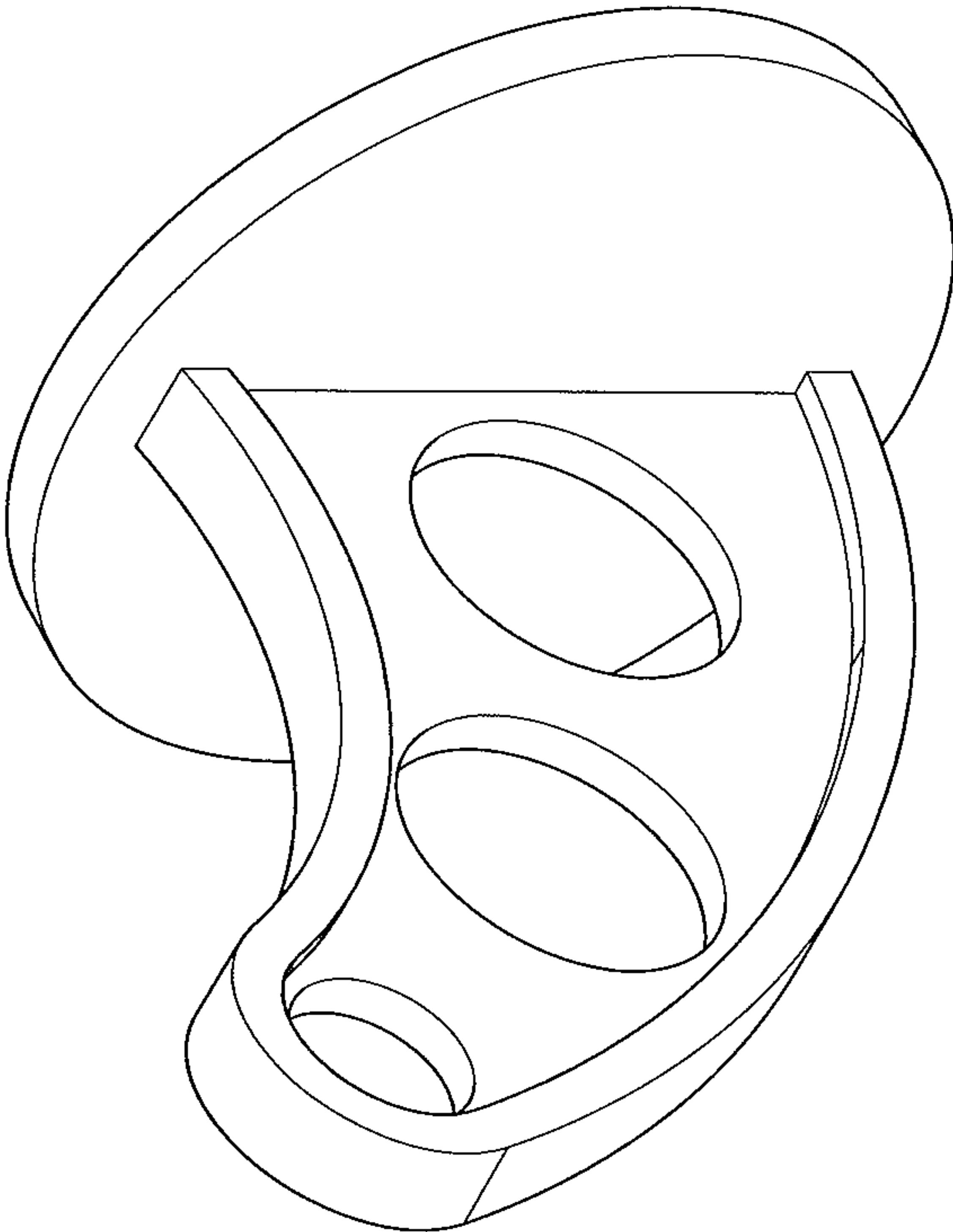


Fig. 1

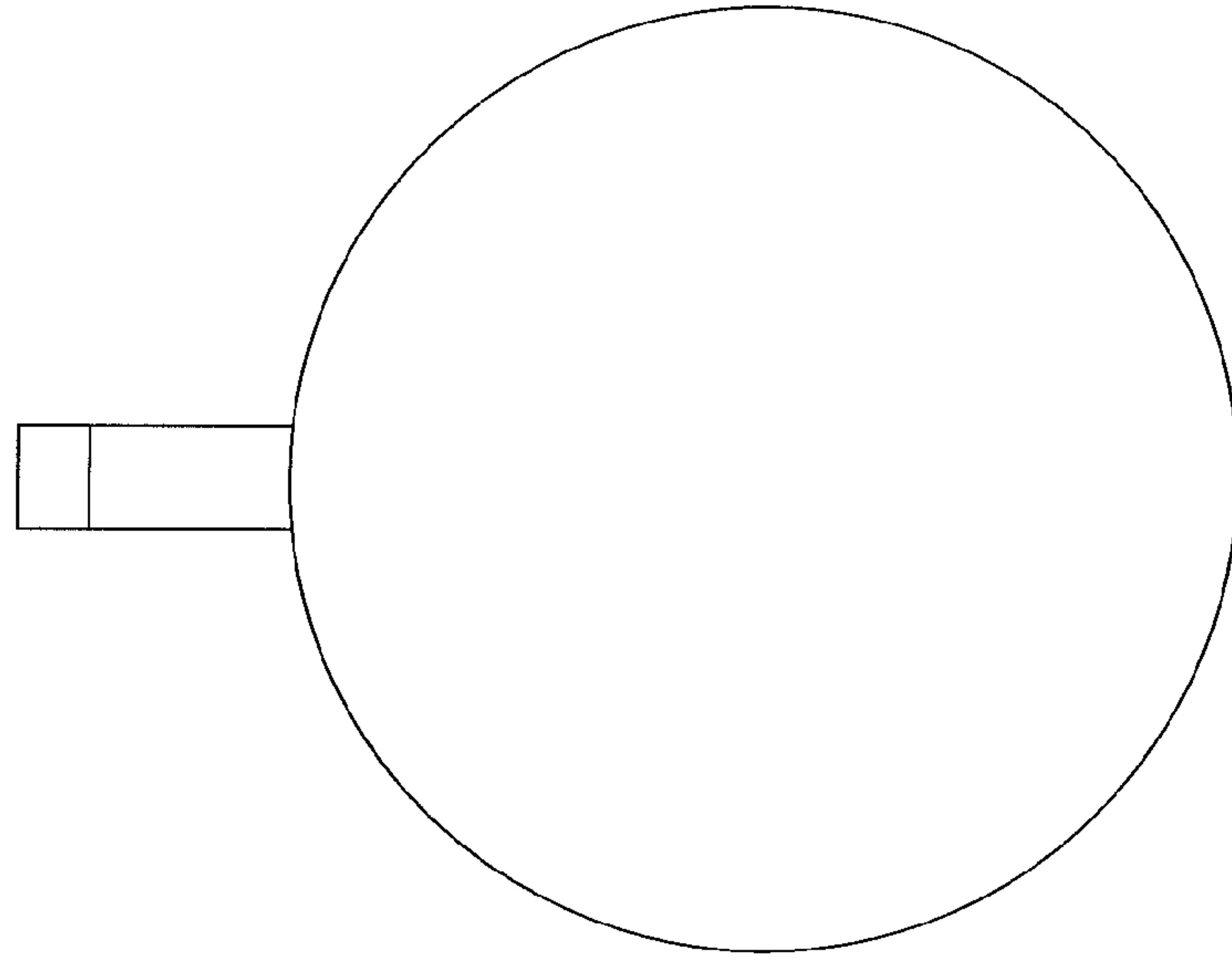


Fig. 2

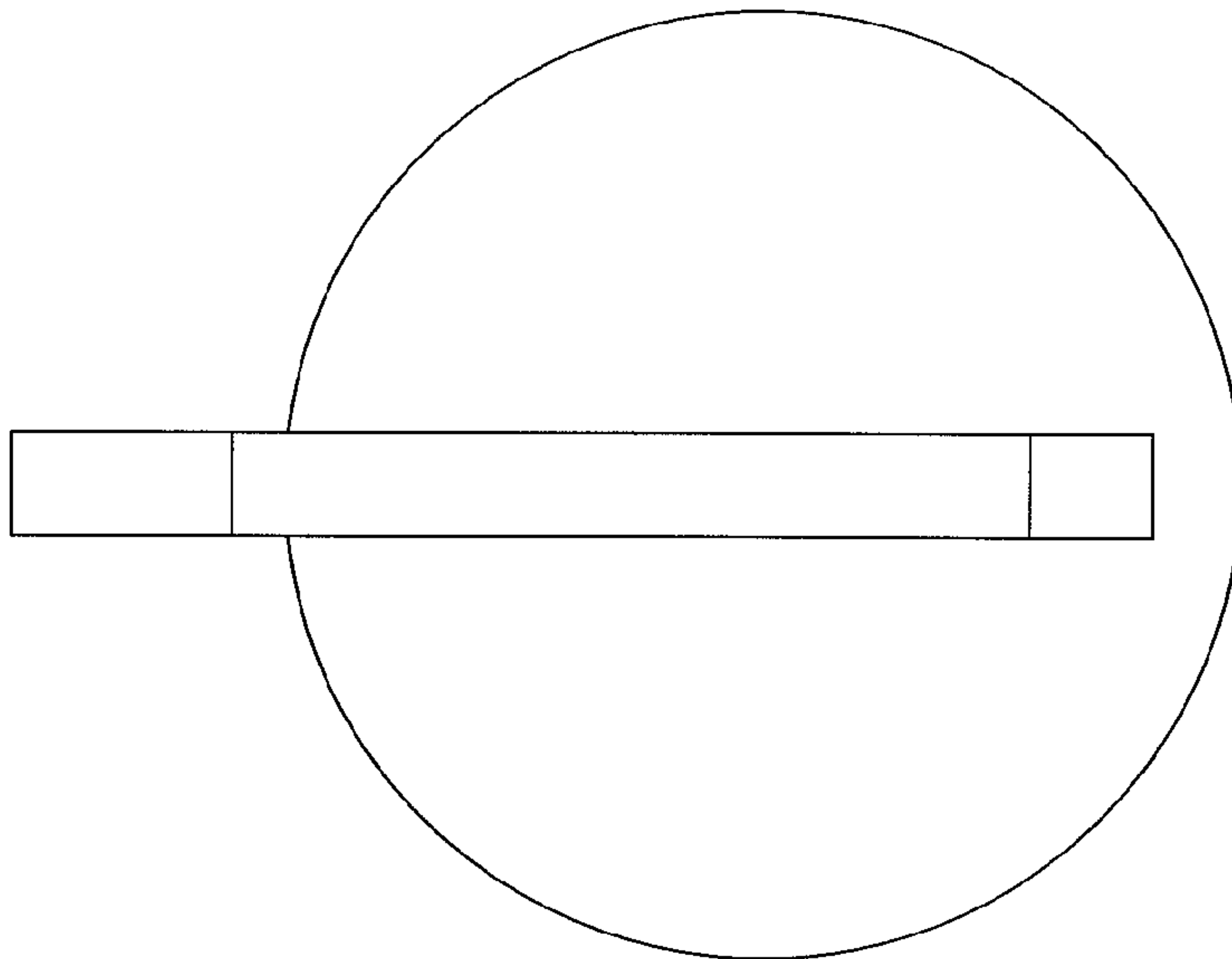


Fig. 3

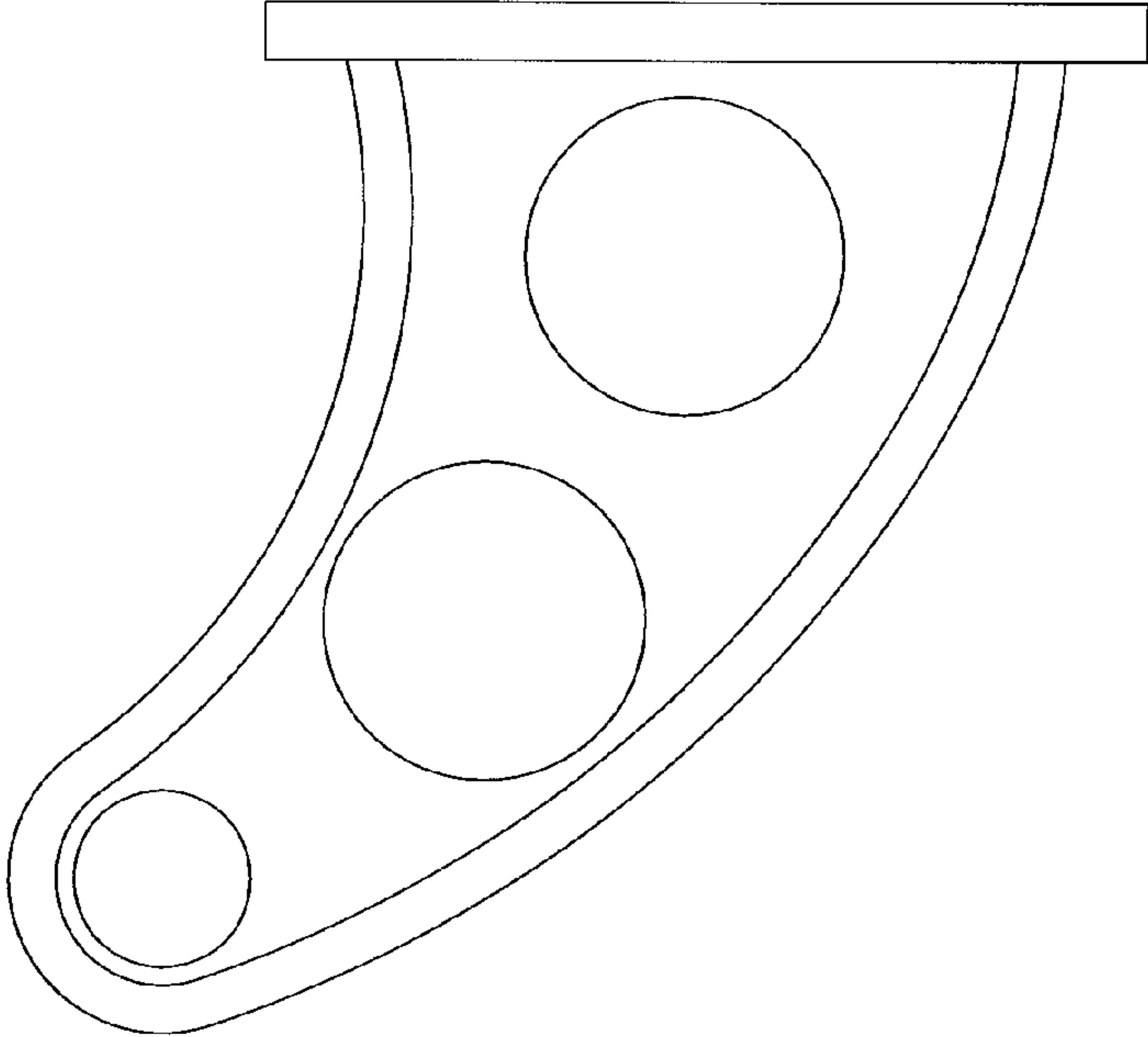


Fig. 5

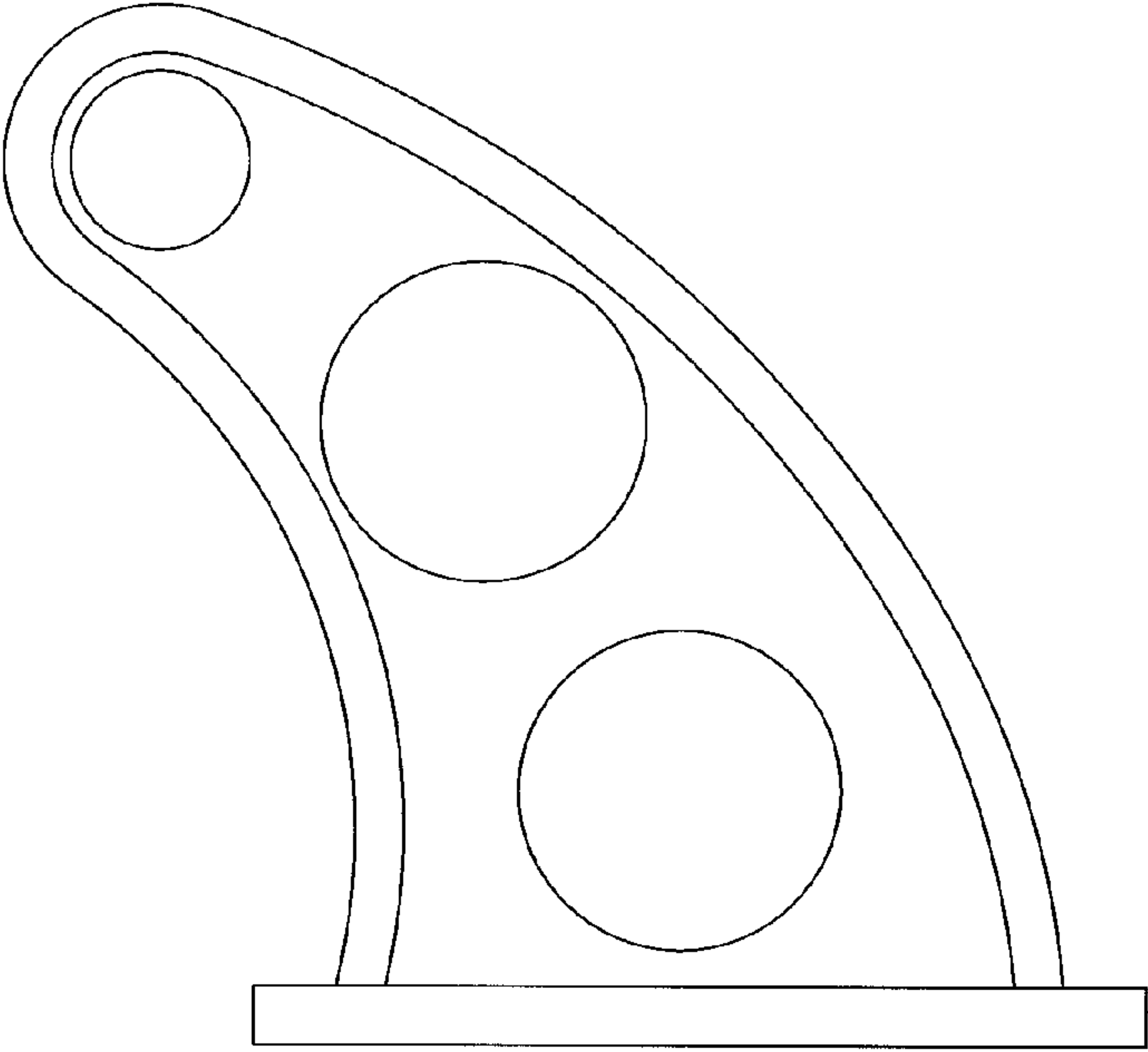


Fig. 4

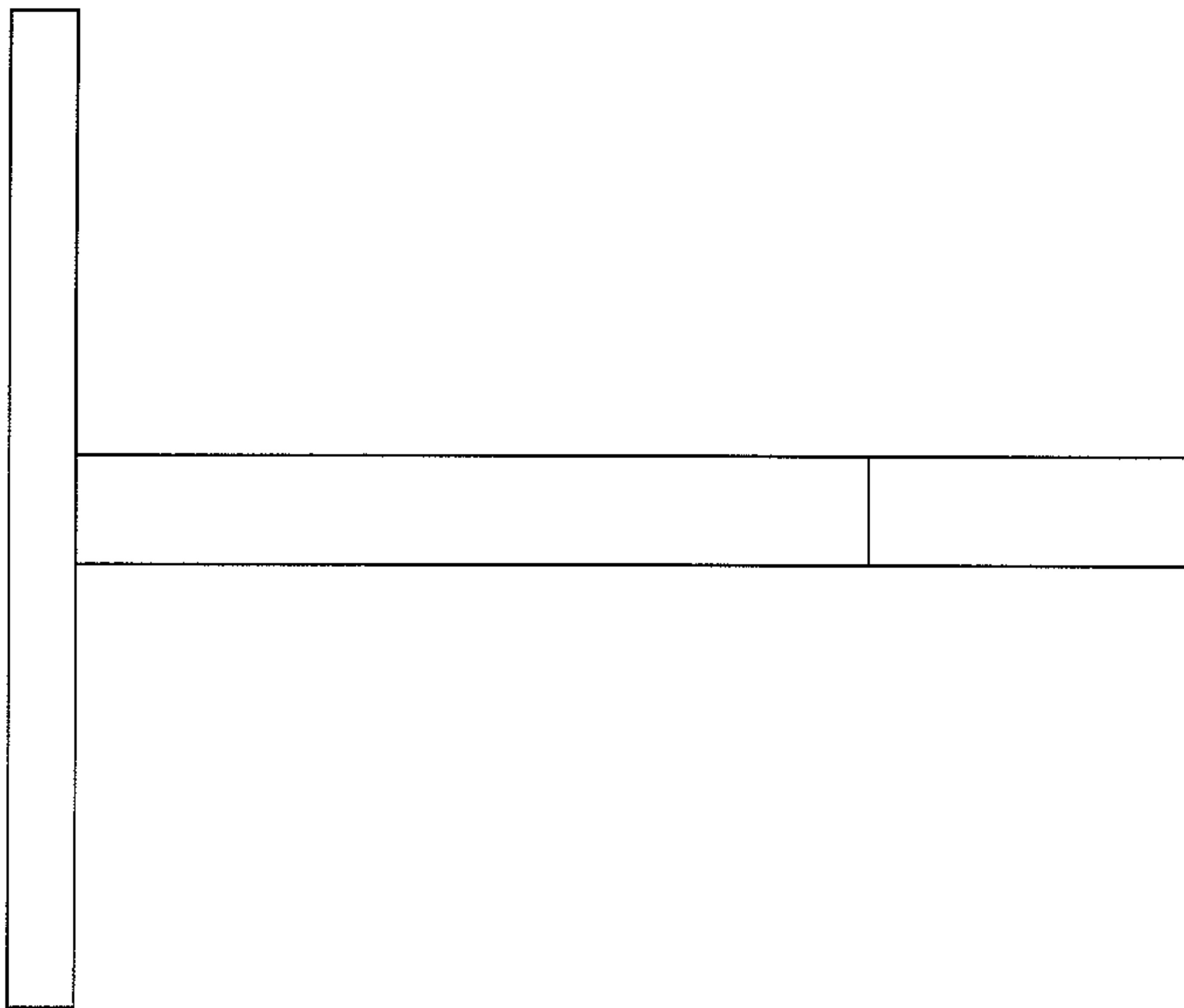


Fig. 6

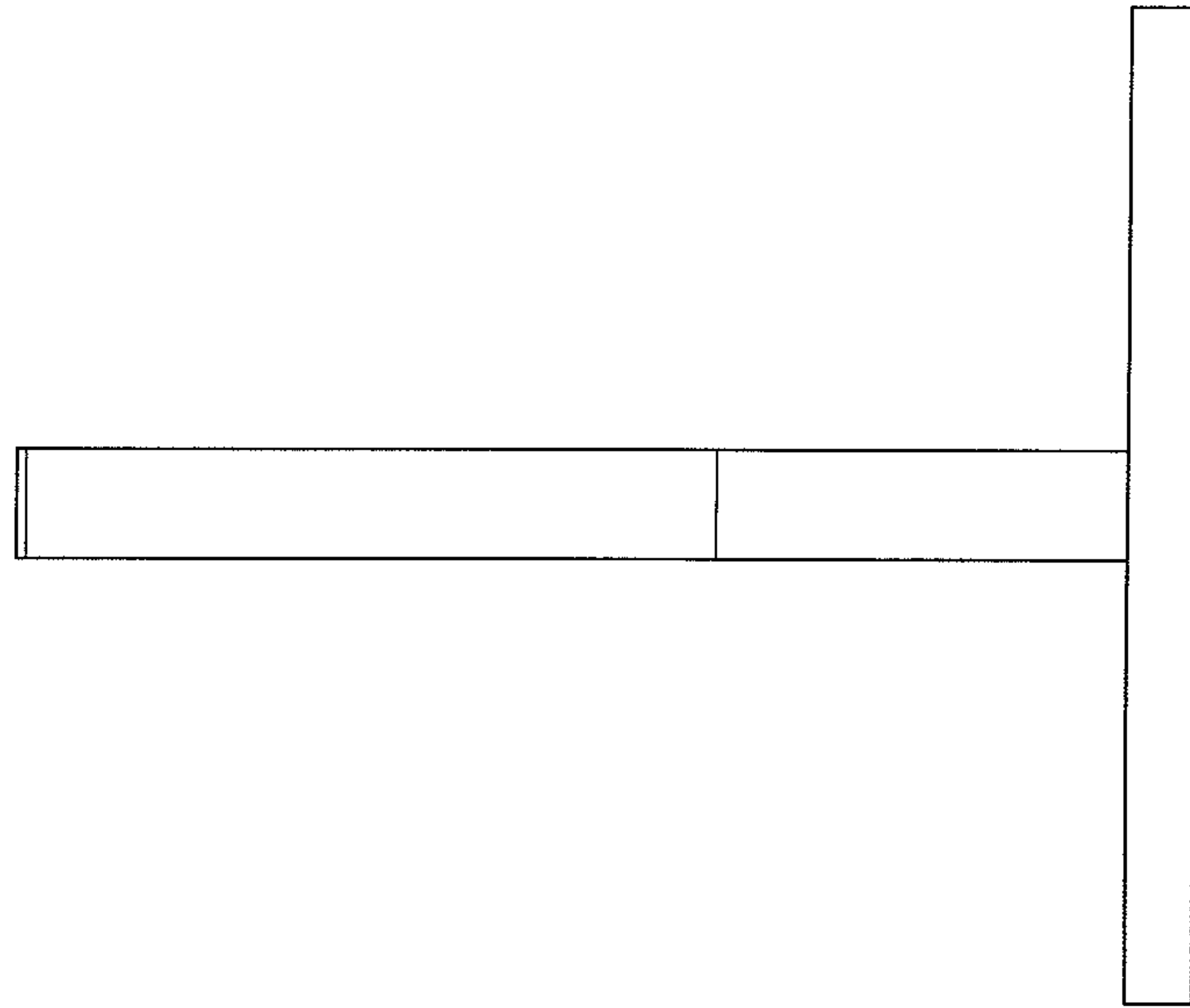


Fig. 7