



US00D708504S

(12) **United States Design Patent**  
**Kaplan**

(10) **Patent No.:** **US D708,504 S**

(45) **Date of Patent:** **\*\* Jul. 8, 2014**

(54) **SHRUB RISER DEFLECTOR BRACKET**

(76) Inventor: **Michael Paul Kaplan**, Plano, TX (US)

(\*\*) Term: **14 Years**

(21) Appl. No.: **29/419,336**

(22) Filed: **Apr. 26, 2012**

(51) **LOC (10) Cl.** ..... **08-05**

(52) **U.S. Cl.**  
USPC ..... **D8/354**

(58) **Field of Classification Search**

USPC ..... D8/349, 354, 380, 382, 356; D25/133;  
248/519, 300, 237, 309.1; 174/45 R,  
174/46, 40 R, 45 TD, 40 CCC, 43, 493;  
220/251, 284; 362/431; 411/402;  
52/188, 182, 191, 702, 712, 745.06,  
52/189, 506.5, 586.1; 29/428, 525.01,  
29/464; 249/14, 205, 208; 403/167, 169  
See application file for complete search history.

D569,230	S *	5/2008	Terada et al.	.....	D8/354
7,448,590	B1 *	11/2008	Holton	.....	248/534
7,455,268	B2 *	11/2008	Heath	.....	248/74.1
D587,096	S *	2/2009	Smith	.....	D8/354
D587,097	S *	2/2009	Smith	.....	D8/354
D602,763	S *	10/2009	Peterson et al.	.....	D8/354
D628,460	S *	12/2010	Seitz	.....	D8/354
D632,159	S *	2/2011	Charette	.....	D8/354
D638,689	S *	5/2011	Wormser	.....	D8/354
8,033,481	B2 *	10/2011	Kim	.....	239/208
D658,484	S *	5/2012	Wall	.....	D8/354
D658,485	S *	5/2012	Wall	.....	D8/354
D660,132	S *	5/2012	Yoder et al.	.....	D8/354
8,336,920	B2 *	12/2012	Stempo et al.	.....	285/114
8,474,199	B2 *	7/2013	Oh	.....	52/220.6
2014/0001316	A1 *	1/2014	Shelton	.....	248/75

\* cited by examiner

*Primary Examiner* — Mark Goodwin

(57) **CLAIM**

The ornamental design for the shrub riser deflector bracket, as shown and described.

**DESCRIPTION**

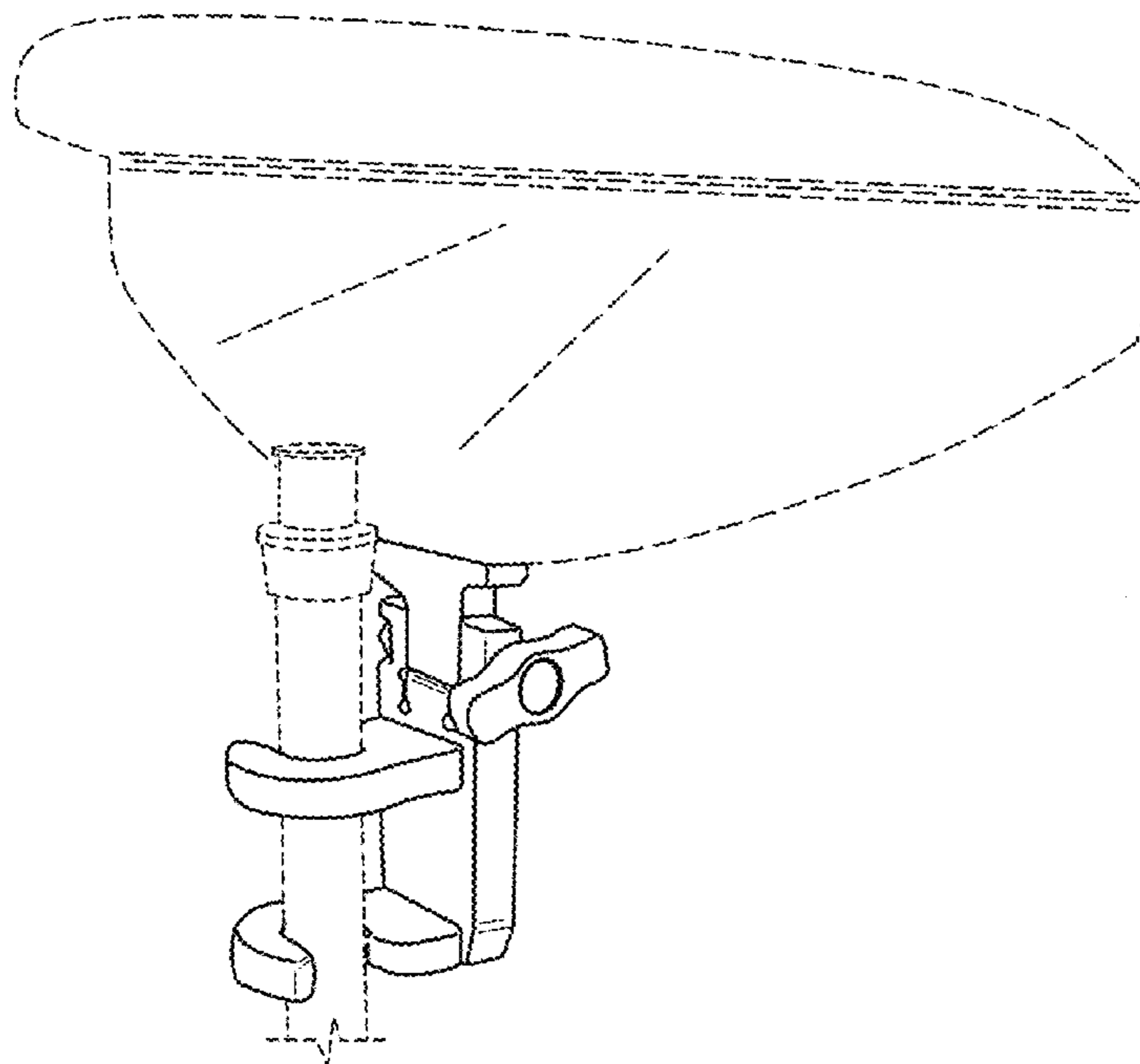
FIG. 1 is a front perspective view of a shrub riser deflector bracket showing my new design in an environmental setting; FIG. 2 is a right side perspective view thereof; FIG. 3 is another right side perspective view thereof; FIG. 4 is a left side perspective view thereof; and, FIG. 5 is a rear perspective view thereof. The shade lines in the figures show contour and not surface ornamentation. The dashed or broken lines representing a shrub riser and a spray deflecting shield are exemplary of typical use, and form no part of the claimed design.

**1 Claim, 5 Drawing Sheets**

(56) **References Cited**

**U.S. PATENT DOCUMENTS**

598,895	A *	2/1898	Bell	.....	108/141
4,039,744	A *	8/1977	Seaquist	.....	174/169
4,432,435	A *	2/1984	Anderson	.....	182/82
4,524,912	A *	6/1985	Jones	.....	239/150
4,815,688	A *	3/1989	Wood	.....	248/230.2
D311,364	S *	10/1990	Wood	.....	D12/133
D335,254	S *	5/1993	Carter	.....	D8/354
5,421,060	A *	6/1995	Miller et al.	.....	16/427
D383,967	S *	9/1997	DeMars	.....	D8/354
D484,399	S *	12/2003	Arthur	.....	D8/394
6,866,154	B2 *	3/2005	Hartman et al.	.....	211/26
D560,471	S *	1/2008	Short et al.	.....	D8/354



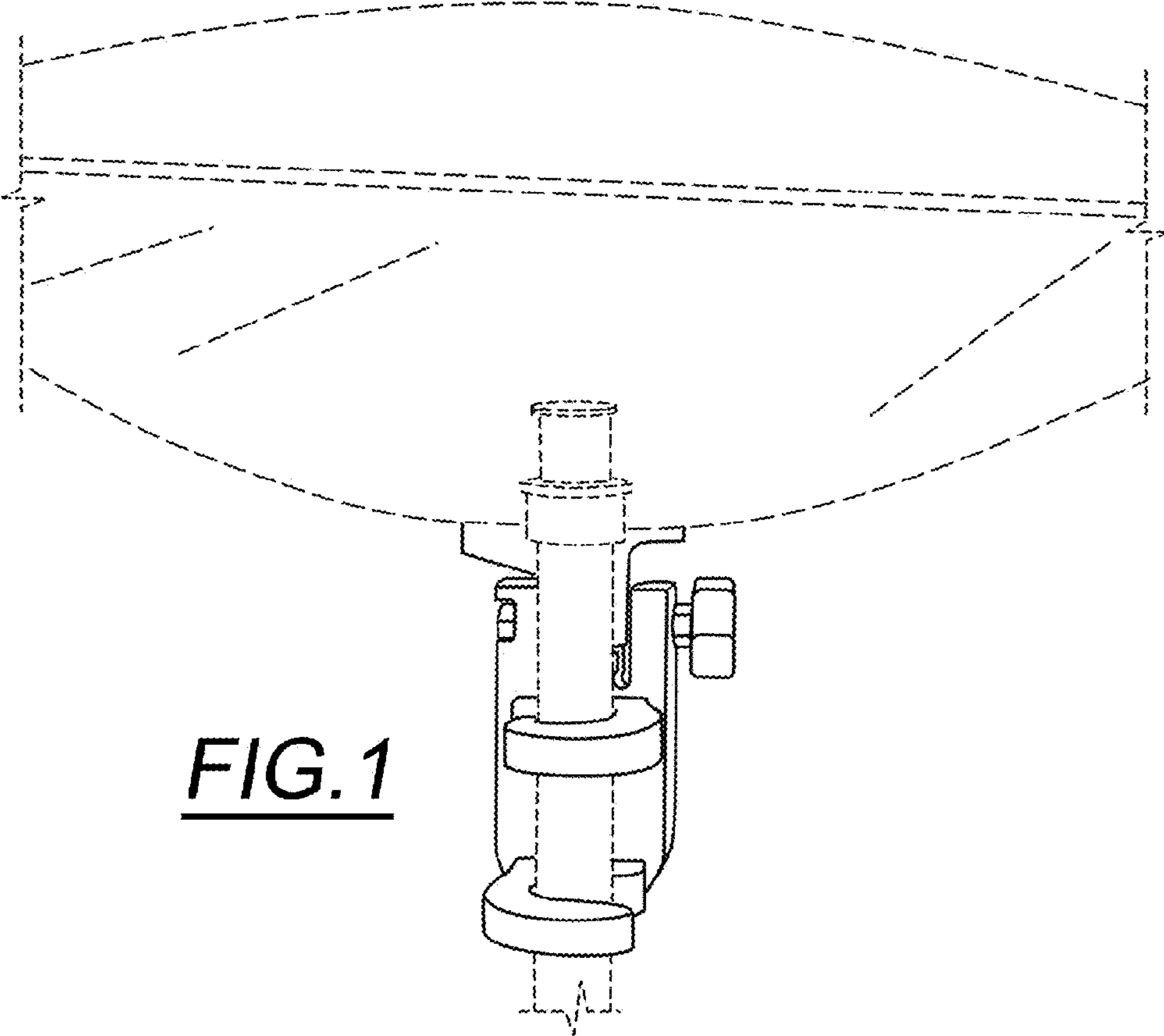


FIG. 1

